

12



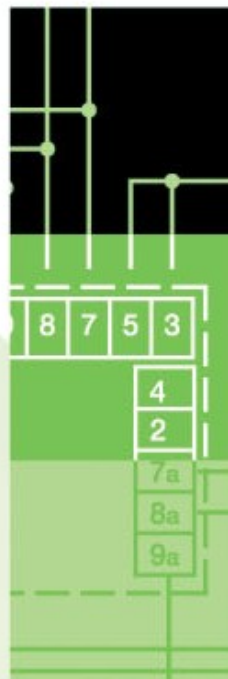
ALTERNATE CURRENT CALL SYSTEMS

ACI/FARFISA
INTERCOMS

TECHNICAL
MANUAL
2004



STUDIO
PROJECT



INTRODUCTION

This edition contains helpful information on the operation and installation of Farfisa video intercoms systems.

In order to make the systems work properly it is necessary to install only Farfisa equipment, keeping strictly to the items referred to in each diagram.

Read all the notes carefully, (even the small ones) in each installation scheme and the working instructions of the system given in the following pages.

For the sake of clarity, please notice that the sequence of the terminals of each article has not been followed. Only the terminal code (letter and/or number) is valid not the graphic sequence.

The items may have more terminals than the ones in the installation diagrams. The excess terminals must not be used.

Notice to the installer and user

Check the integrity of the product after removing it from the packing.

Packing materials (such as plastic bags, cardboard, polystyrene foam, etc.) must be kept out of the reach of children.

The manufacturer cannot be held responsible for possible damages caused by improper, erroneous and unreasonable use.

The cable runs of any intercom and video-intercom system must be kept separate from the mains or any other electrical installation as required by **International Safety Standards**.

WARNINGS

An all-pole mains switch with a contact separation of at least 3mm in each pole shall be incorporated in the electrical installation of the building.

Before connecting the unit, make sure its data correspond to those of the mains.

The apparatus shall not be exposed to dripping or splashing.

For correct operation make sure that ventilation or heat dissipation openings are not obstructed.

Do not open or tamper with power supply or video intercom apparatus when they are ON. There is high voltage inside.

Avoid bumping and hitting the video intercom apparatus, it could break of the CRT with consequent projections of fragmented glass.

For installation or maintenance refer only to qualified personnel.



European Mark of conformity to the EEC Directives.



Mark of VDE a German Testing and Certification Institute.

CEMARK

The CE mark ensures that the product complies with the requirements of the European Community Directives in force; in particular, Electrical Safety LVD73/23, Electromagnetic Compatibility EMC89/336 and Telecommunication Terminals R&TTE99/5 Directives.

As set forth by the Directives, the technical documentation and Conformity Declarations are available in the Company's offices for verifications and controls by competent Authorities.



Quality assured firm.



Italian Association of Electrotechnical and Electronic Industries

12 TECHNICAL MANUAL

2004 edition

INDEX	Page
Installation instructions	2
Intercoms	3
- Internal stations	4
- External door stations	7
- Power supplies	24
- Service modules	25
- Installation instructions	26
- Installation diagrams	29
Video Intercoms	71
- Internal stations	72
- External door stations	81
- Power supplies, control units and service modules	90
- Installation instructions	91
- Installation diagrams	95
Telecommunication	149
- Internal stations	150
- Intercom-telephone interface	162
- Electronic PABX	164
- Installation instructions	170
- Installation diagrams	173
Product List	192



INSTALLATION INSTRUCTIONS

The Farfisa alternate call system allows for the realisation of intercom, video intercom, digital and intercom-telephone systems.

The modularity of Farfisa indoor and outdoor devices allows for system extension to satisfy the most diverse user's requirements, from individual houses to apartment buildings, from simple intercoms to complete video intercom-telephone sets.

Selecting the system

The Farfisa alternate call system allows for the realisation of different types of installation.

- Intercom systems
- Video intercom systems
- Intercom-telephone systems
- Video intercom systems
- Mixed systems (intercom/video intercom/telephone)

Intercom systems

It is the simplest of the installations. It provides bidirectional audio communication between intercoms and external door stations with door-opening function. The following variants of the basic installation are possible:

- **intercommunicating service.** It allows for communication between different intercoms of the same apartment or between different apartments with private conversation to other users and to external stations.
- **private conversation.** By adding a board to each intercom you can restrict the communication between internal and external user to the called user. The other users do not hear the conversation in progress when they lift the handset.

For the realisation of a basic intercom system you need 4 common wires + 1 single for each user.

Video intercom systems

Apart from audio communication and door-opening function, video intercom systems provide visual control of the entrance. The typical characteristics of video intercom systems are:

- **Timed operation.** The video intercom of the called user is enabled for about 40 seconds. The time doubles if the handset is lifted. The system returns to the stand-by state when the handset is replaced.
- **Private conversation.** Video intercom systems allow for audio communication only for the called user. The other users do not hear the conversation in progress when they lift the handset.
- **Intercommunicating service.** This service allows for audio communication between different intercoms or video intercoms of the same apartment or between different apartments with private conversation to other users or external stations.
- **Control switching ON.** The user can enable the system, switch ON his/her own video intercom and monitor the area framed by the camera. Additional wires and activation buttons are needed in case of multiple entrances.

For the realisation of basic video intercom systems you need 7 common wires + 1 single for each user + common coaxial cable.

Intercom-telephone and video intercom-telephone systems

It is a variant of traditional intercom and video intercom systems in which internal stations use telephones (with monitors for video intercom-telephone functions) instead of intercoms or video intercoms. In this case intercom connections are established over an interface board that provides telephone and intercom communication. The interface can be a stand alone product (art. FT11D) or an interface board to be installed inside the FT105P or FT208P electronic PABX (art. ES60 or ES65).

Internal stations can use:

- a standard telephone in which intercom functions are obtained by dialling specific codes on the keypad
 - an intercom-telephone set (art. ST740) or video intercom-telephone set (art. ST740 + ST7100) with telephone functions and specific buttons for the main intercom services.
- In intercom-telephone systems the intercommunicating service can be realized by means of a PABX that allows also for private conversation.

Intercom-telephone systems need 4 common wires + 1 single for each user (+ 3 common wires + common coaxial cable or twisted pair in case of video intercom-telephone systems) for connections to the riser. Telephone connections are made with a telephone pair.

Mixed systems (intercom/intercom-telephone/video intercom-telephone)

All intercom, intercom-telephone and video intercom-telephone systems can be combined according to the user's requirements.

Choosing the correct article

When choosing the article and type of installation, you should consider:

- user's requirements
- number of users
- installation possibilities
- possible location of articles.

The following options are possible for **external door stations**:








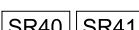






- **Mody** series push-button panels for intercom, telephone and video intercom systems
- **Matrix** series stainless steel push-button panels for intercom, telephone and video intercom systems
- **Prestige** series brass push-button panels for intercom, telephone and video intercom systems
- **ErreP/R** series push-button panels for intercom and telephone systems
- **TM** series push-button panels for intercom and telephone systems
- **UP** series push-button panels for analogue intercom and telephone systems with maximum 2 calls

The following options are possible for **internal stations**:

- **Studio** modular line for intercom-telephone and video intercom-telephone systems
- **Project** line for intercom and video intercom systems
- **PuntoVirgola** for intercom and video intercom systems
- **Slim (900)** line for intercom systems

Graphic symbols

The following symbols are used in the installation diagrams:

-  Speaker
-  Microphone
-  Button
-  Resistance
-  Lamp
-  Electric door lock
-  Diode
-  Electronic ringer or buzzer
-  Mechanical buzzer
-  Optional wire (usually control switching ON, door release button or intercommunicating calls)
-  Dashed line (for schematic purposes the first and last monitors are shown in the multi-family systems. Required additional monitors can be inserted in such dashed line to complete the installation).
-  Coaxial cable
-  Call wires (second and last)
-  Telephone pair

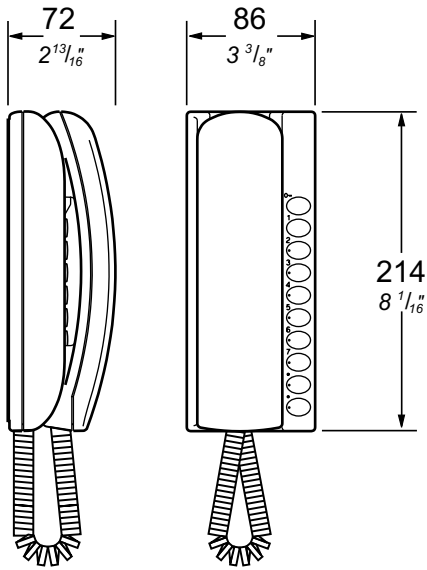


INDEX	Page
Internal stations	4
- Project series intercoms	4
- PuntoVirgola series intercoms	6
- Slim (900) series intercoms	6
External door stations	7
- Mody series push-button panels	7
- Matrix series push-button panels	16
- ErreP/R series push-button panels	22
- UP series push-button panels	23
Power supplies	24
Service modules	25
Installation instructions	26
Working instructions	27
Troubleshooting	28
Basic installation diagrams	29
- Si 11MO/1 Intercoms connected to 1 external door station	31
- Si 11MO/2 Intercoms with private conversation connected to 1 external door station	33
- Si 12MO/1 Intercoms connected to 2 automatically switched external door stations	35
- Si 13MO/1 Intercoms connected to 3 automatically switched external door stations	37
- Si 16MO/1 Intercom system with secondary door stations and 1 main common station (multiple entrance)	39
- Si 16MO/2 One-way intercom system with secondary door stations and 1 main common station (multiple entrance)	41
- Si 17MO/1 Intercom system with secondary door stations and 2 main common stations (multiple entrance)	43
Intercommunicating installation diagrams	44
- Si 100L/2 2 intercommunicating intercoms	45
- Si 100L/11 Intercommunicating intercoms (2 to 11 users)	45
- Si 115L/5S 5 intercommunicating intercoms connected to 1 external door station with single calls. Electronic bell for internal calls.	47
- Si 111L/5M 5 intercommunicating intercoms connected to 1 external door station with common call. Electronic bell for internal calls.	49
- Si 125L/5S 5 intercommunicating intercoms connected to 2 external door stations with single calls. Electronic bell for internal calls.	51
- Si 121L/5M 5 intercommunicating intercoms connected to 2 external door stations with common call. Electronic bell for internal calls.	53
- Si 135L/5S 5 intercommunicating intercoms connected to 3 external door stations with single calls. Electronic bell for internal calls.	55
- Si 131L/5M 5 intercommunicating intercoms connected to 3 external door stations with common call. Electronic bell for internal calls.	57
- Si 161L/1S One-way intercommunicating system with secondary door stations and 1 main common station (multiple entrance)	59
- Si 11MO/3 Multi-way intercom system connected to 1 external door station. With intercommunication service in 1 or more apartments and private conversation feature with the external door station and the other apartments.	61
Application diagrams	62
- multi-way intercommunicating services	62
- one-way intercommunicating services	66
- one-way intercommunicating services in apartment building systems	68



INTERNAL STATIONS

INTERCOMS PROJECT series

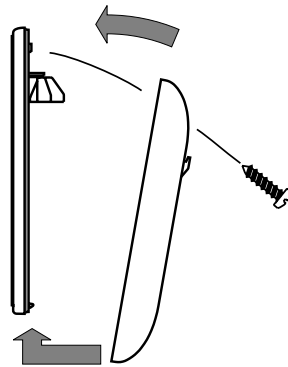
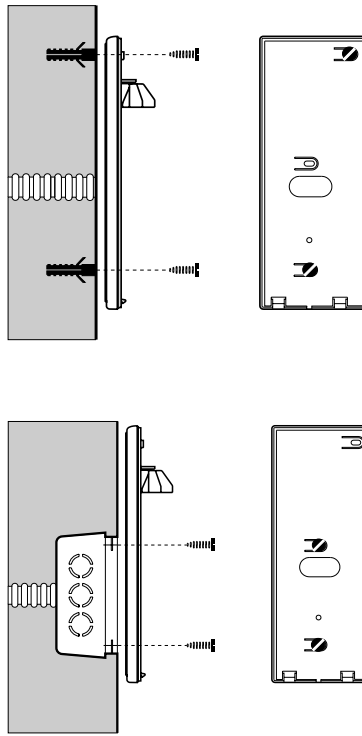
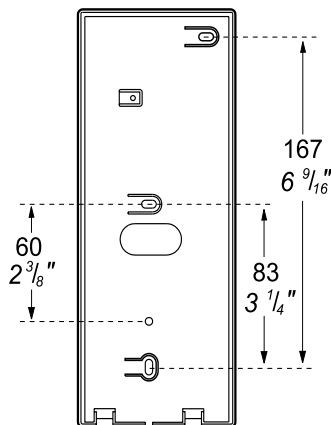
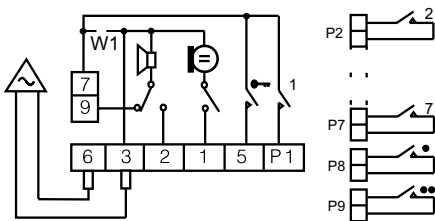


PT520. Two-colour intercom for 4+1 systems connected to one or more door stations. Complete with buzzer, spiral cord, electronic microphone and two push-buttons that can be increased to 10 by adding the individual push-button unit, art. **PT501**. It can be installed on the wall with screws or on a back box.

PT520W. Colour: white.

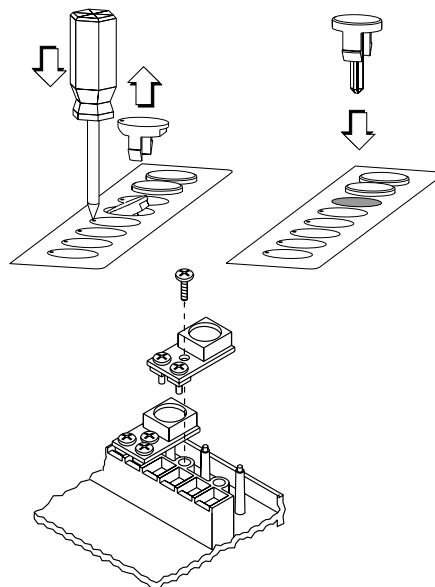
Terminals

- 1 microphone
- 2 loudspeaker
- 3 ground
- 5 door release push-button (max 1A)
- 6 buzzer (0.2A)
- 7 common push-buttons (● and 1)
- 9 electronic bell input
- P1 service push-button (max 1A)
- P2 ÷ P9 service push-buttons (max 0.5A)

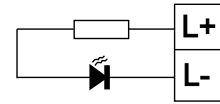


Fittings for PT520 and PT520W intercoms

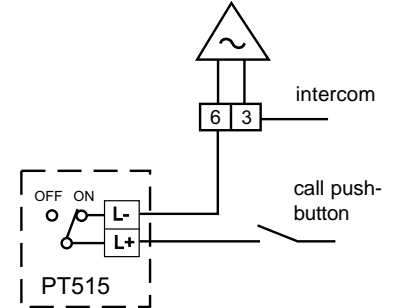
PT501. Individual push-button unit.



PT502. Led module.

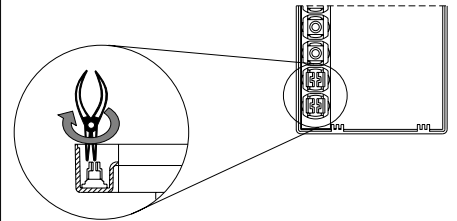


PT515. Bell silencer module (privacy).



Note

We recommend to insert the LED module **PT502** and bell silencer module **PT515** in the bottom 2 slots marked by ● and ●●. To insert them properly it's necessary to remove the guide of the button sliding from the internal side of the base cover (see figure).



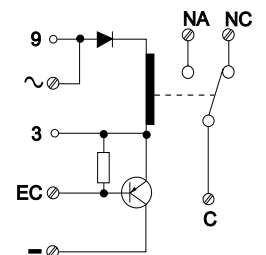
RL 36. Relay module. When installed inside intercoms it allows to activate additional bells (see page 27). Maximum switching current is 1A (24V).

Terminals

- C common terminal of relay
- NA normally open contact of relay
- NC normally closed contact of relay
- ground
- ~ 13Vac/dc voltage input
- EC relay activation input (ground command)

Wires

- 9 electronic call input without resistive load
- 3 ground



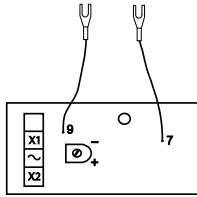
INTERNAL STATIONS

INTERCOMS PROJECT series

SR40. Electronic bell module (see inter-communication diagrams).

Terminals

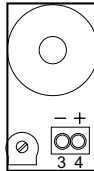
- ~ power supply call input (12Vac-0.5A)
- X1** power supply input (12Vac-0.3A)
- X2** call input (ground control)



SR41. Electronic buzzer module. It can be used to differentiate calls from external door stations or external door station and intercommunicating stations (in this case it can replace electronic bell module SR40).

Terminals

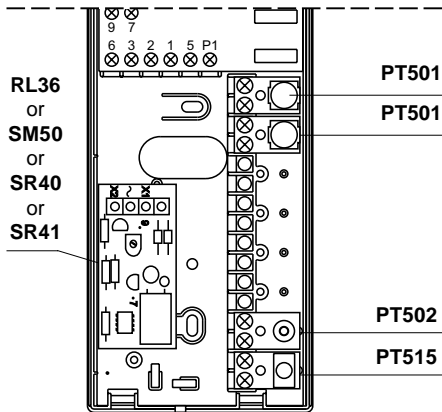
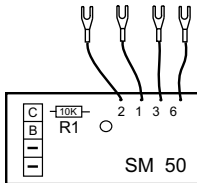
- 4** power supply input (13Vac-70mA; 9÷20Vdc-15mA)
- 3** ground



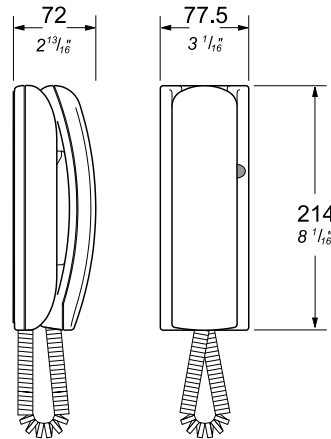
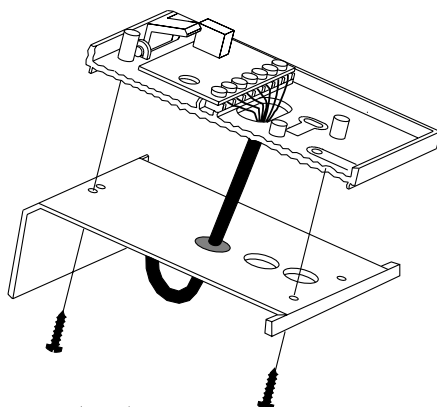
SM50. Private conversation module (see pages 32 and 100).

Terminals

- C** audio line receiver
- B** audio line transmitter
- ground



PT538. Table adapter for Project series intercoms, with weighted base, junction box and 2.4m connection cable with 13 wires.



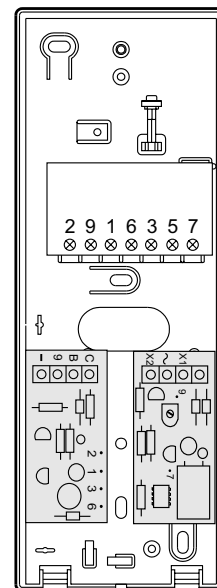
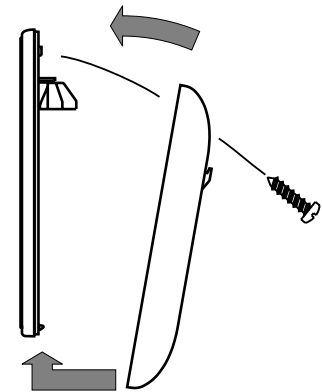
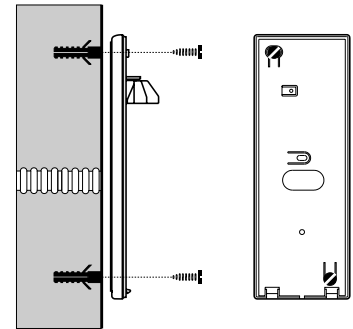
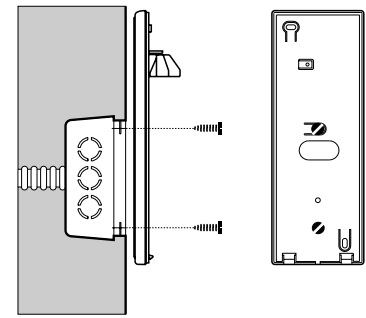
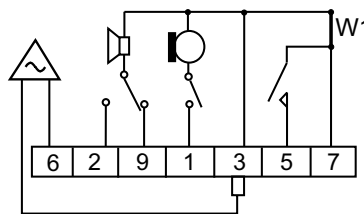
PT510. Two-colour intercom for 4+1 systems connected to one or more door stations. Complete with push-button, spiral cord, buzzer, electronic microphone. Wall-mounted with screws or fixed to back box.

- PT510N.** Colour: beige.
- PT510W.** Colour: white.

PT524W. White colour finish with carbon microphone.

Terminals

- 1** microphone
- 2** loudspeaker
- 3** ground
- 5** door release push-button (max 1A)
- 6** buzzer (0.2A)
- 9** electronic bell input



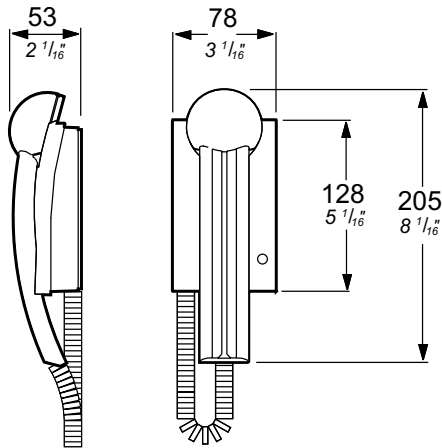
Two of the following modules can be simultaneously applied inside the intercoms:

- **RL36** relay module;
- **SM50** private conversation module;
- **SR40** electronic bell module;
- **SR41** electronic buzzer module.



INTERNAL STATIONS

INTERCOMS PuntoVirgola series

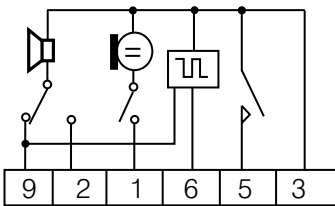


PV100. Two-colour intercom for 4+1 systems connected to one or more door stations. Complete with a push-button, spiral cord, built-in electronic bell, electronic microphone. Wall-mounted with screws or fixed to back box.

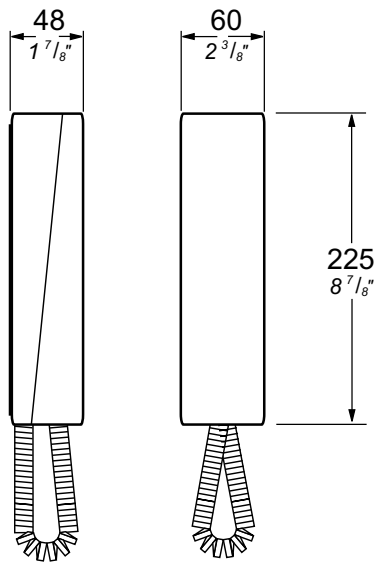
PV100W. Colour: white.

Terminals

- 1 Microphone
- 2 Loudspeaker
- 3 Ground
- 5 Door release push-button (1A max)
- 6 Buzzer (0.35A)
- 9 Electronic bell input



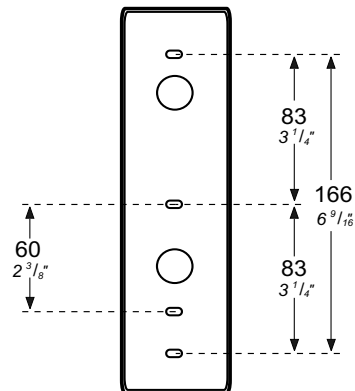
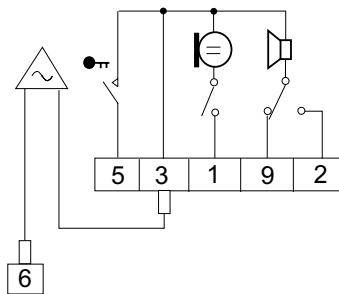
INTERCOMS 900 series (Slim)



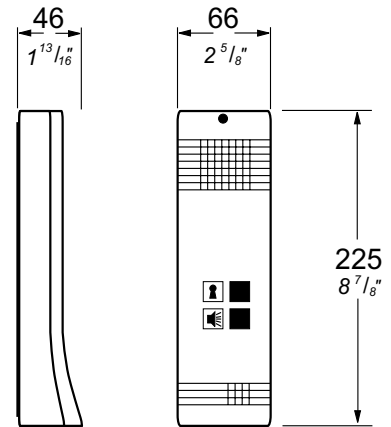
924W. Beige intercom for 4+1 systems connected to 1 or more door stations. Complete with a push-button, spiral cord, electronic microphone, buzzer. It can be installed on the wall with screws.

Terminals

- 1 Microphone
- 2 Loudspeaker
- 3 Ground
- 5 Door release push-button (1A max)
- 6 Buzzer (0.2A)
- 9 Electronic bell input (from PRS240 or digital systems)



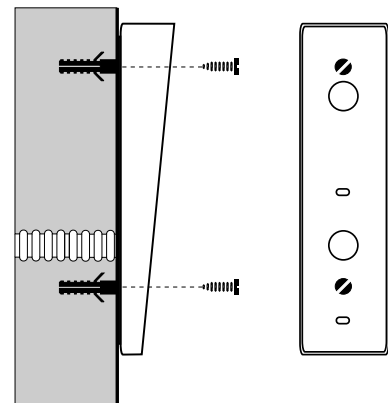
OPEN VOICE 900 series



910W. Open-voice, white, two-way model for 4+1 systems connected to one or more door stations, with internal amplification and modulated electronic bell and knob for adjusting the volume (receiving channel). This model is provided with two push-buttons (one for connecting the audio line and the other one for the electric door lock). To optimise speech quality the use of 337C electric speaker is recommended. It can be installed on the wall with screws or on a wall box.

Terminals

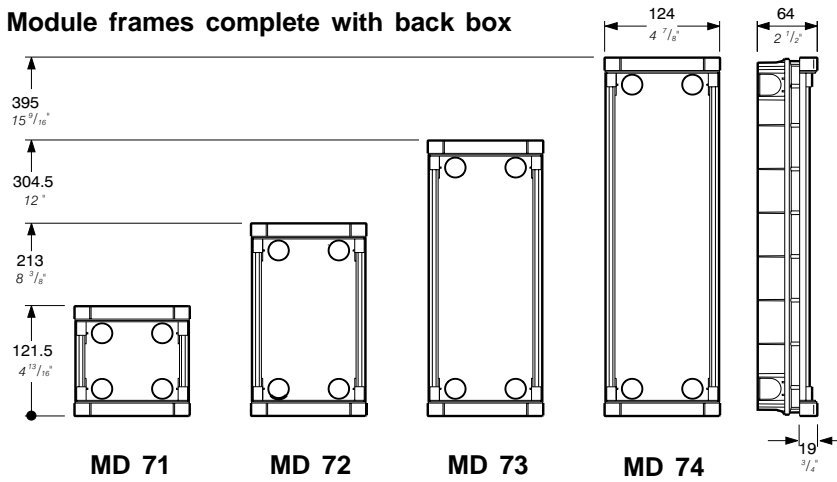
The same of 924 series.



EXTERNAL DOOR STATIONS

PUSH-BUTTONS MODY series

Module frames complete with back box



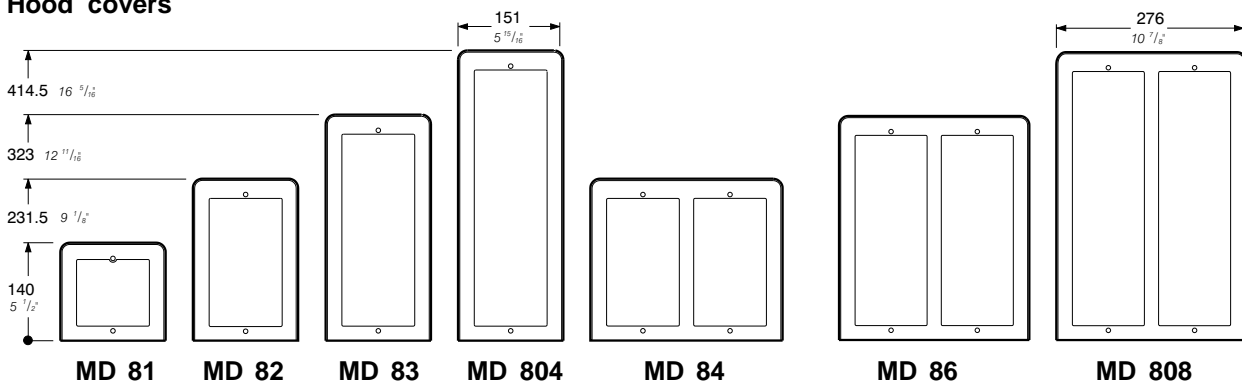
Push-button panels in extruded aluminium made up of modular elements. Suitable for the most diverse installation requirements.

MD71.72.73.74. Plastic back boxes complete with module frames.

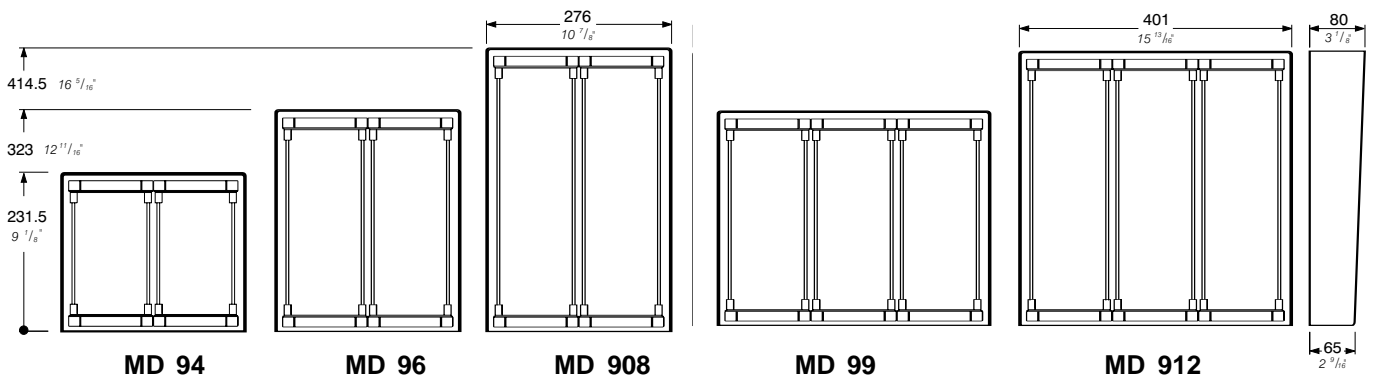
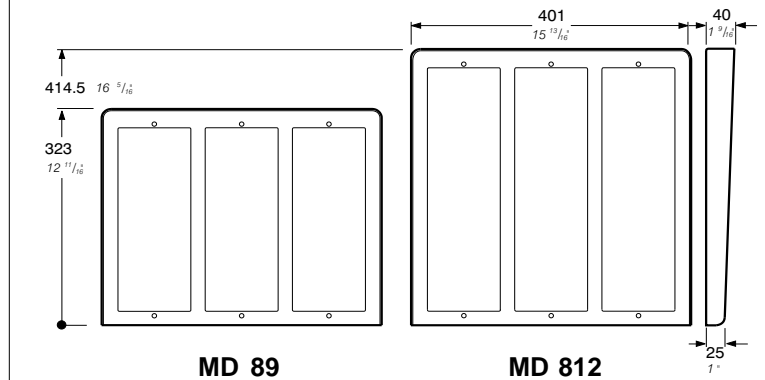
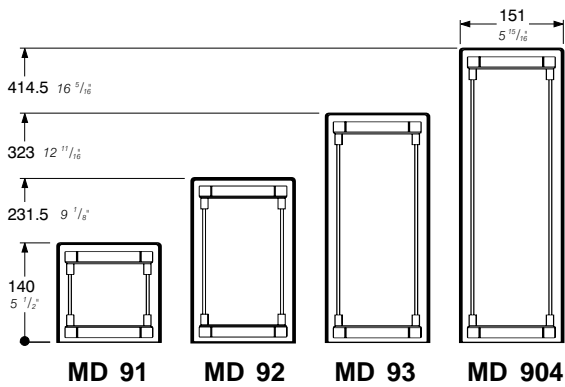
MD81.82.83.804.84.86.808.89.912. Aluminium hood covers. To be added to MD71.72.73.74 back boxes.

MD91.92.93.904.94.96.908.99.912. Anodized aluminium rain shelters with module frames. Used for wall mounting.

Hood covers



Rain shelters with module frames



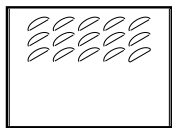
EXTERNAL DOOR STATIONS

INTERCOMS * VIDEOINTERCOMS * TELECOMMUNICATION

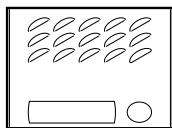
PUSH-BUTTONS MODY series

1 row push-button modules

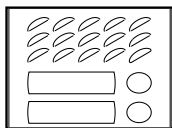
Modules for electric door speaker (amplifier)



MD 10
without call buttons

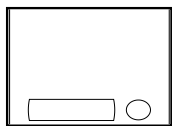


MD 11
1 call button

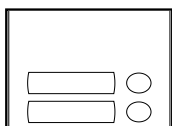


MD 12
2 call buttons

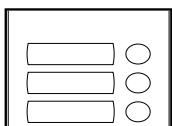
Button modules



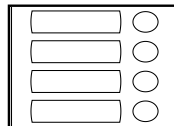
MD 21
1 call button



MD 22
2 call buttons



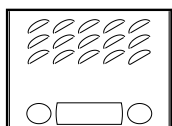
MD 23
3 call buttons



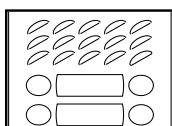
MD 24
4 call buttons

2 row push-button modules

Modules for electric door speaker (amplifier)

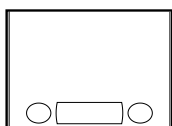


MD 122
2 call buttons

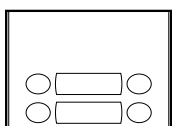


MD 124
4 call buttons

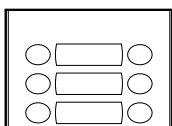
Button modules



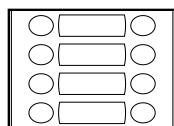
MD 222
2 call buttons



MD 224
4 call buttons



MD 226
6 call buttons

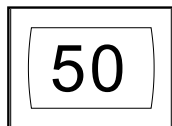


MD 228
8 call buttons

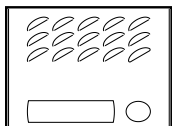
Modules: blank, number, access control and cameras



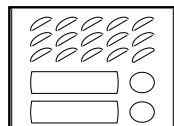
MD20
blank module



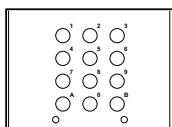
MD50
number module



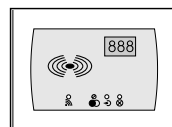
MD 100
Amplified door station with 1 push-button (see page 9)



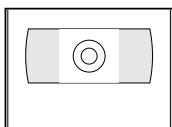
MD 200
Amplified door station with 2 push-buttons (see page 9)



FC52P. Keypad module for access control (see page 9).

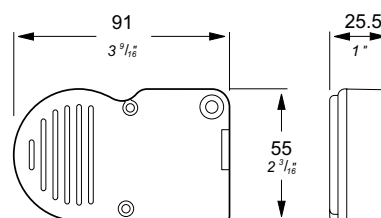


FP52. Proximity reader for access control (see page 9).



MD41. MD41D. Black and white cameras.
MD41C. Colour cameras (see characteristics on page 81).

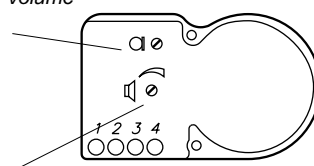
ELECTRIC DOOR SPEAKER



MD 30.

It consists of a double amplifier (receiver and transmitter) with adjustable volume of 2 channels. Also fittable to **Prestige** and **ErreP/R** series push-button panels (for **ErreP/R** door stations by means of **299/1** adapter).

Transmitting volume adjustment

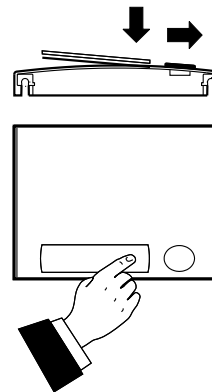


Receiving volume adjustment

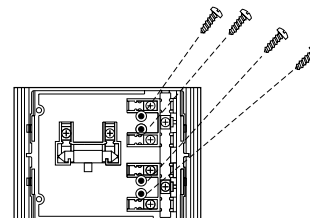
Terminals

- 1 audio receiver
- 2 audio transmitter
- 3 positive power supply 6 ÷ 8Vdc - 60mA
- 4 ground

Dismounting and protection of name labels



Dismounting of name holder to insert name label.



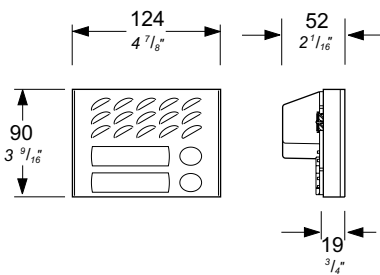
In any button module, in order to avoid the dismounting of name holder, insert a 3MAX12 screw in the holes shown in the picture for each name plate to be blocked. Screws are not supplied by the manufacturer.

MODY



PUSH-BUTTONS MODY series

AMPLIFIED DOOR STATIONS



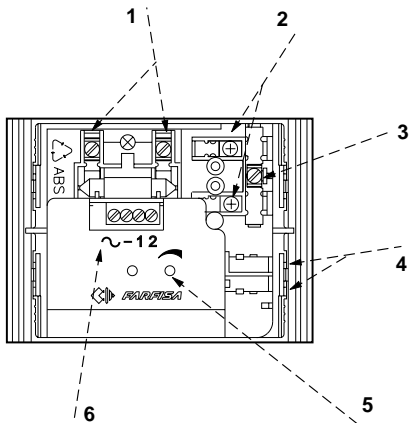
MD 100. 1 button module.

Fittable in all intercom, telephone, intercommunicating and video intercom systems. Complete with electric door speaker amplified in the two channels, receiving adjustable volume, call button and anodized aluminium front plate. It can replace the MD11 and MD30 module and use all the other accessories of the Mody series.

MD 200. 2 buttons module.

Terminals

- ground
- ~ supply 13Vac - 0.13A
- 1 audio receiver
- 2 audio transmitter
- C call push-buttons common
- call push-buttons
- ⊗ name-plate lamp (24V-70mA)

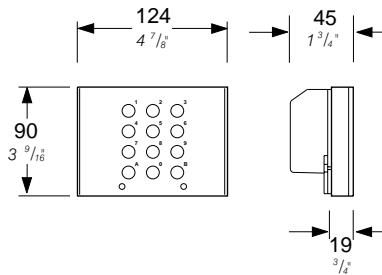


- 1 Lamp terminals
- 2 Push-button terminal board
- 3 Common contact of call push-buttons
- 4 Terminals on stair light push-button
- 5 External volume adjustment
- 6 Terminal board for connection to the system

Installation diagrams

For the installation of the MD100 and MD200 modules see the installation diagrams for systems with one entrance in the "intercom" and "video intercom" section (for example pages 30, 32, 46, 48, 98, 102, 120, 178 and 180).

ACCESS CONTROL KEYPAD



FC52P.

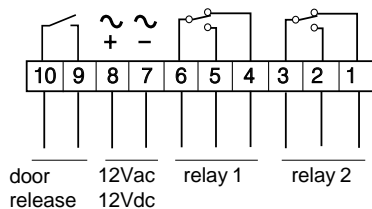
Access control keypad with 12 keys and 2 relays for lock release. 4 programmable access codes for each relay. Programmable door opening time from 1 up 99 sec. for each relay (or bistable operation of relay 1). Acoustic and visual confirmation for entered keys, accepted programming and for wrong codes.

Technical data

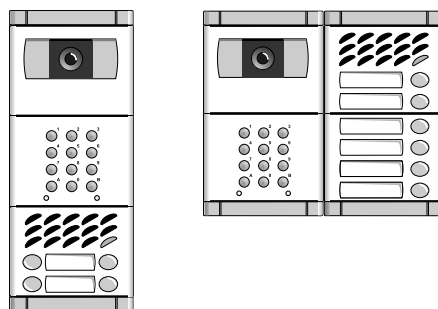
- Power supply: 12Vac/dc ±10%
- Stand-by current: 0.015A
- Maximum current consumption: 0.1A
- Contact ratings: 12Vac-5A
- Numbers of codes for relays 1: 4
- Numbers of codes for relays 2: 4 or direct activation
- Activation time for each relay: from 1 to 99sec. (or bistable relay 1)
- Operating temperature: 0° ÷ +40°C
- Maximum permissible humidity: 85% RH

Terminals

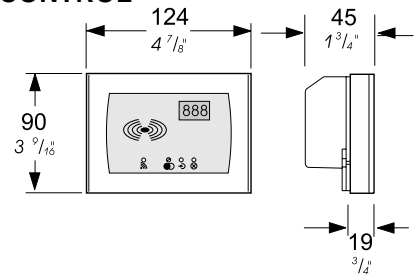
- 1 normally closed contact of relays 2
- 2 normally open contact of relays 2
- 3 common contact of relays 2
- 4 normally closed contact of relays 1
- 5 normally open contact of relays 1
- 6 common contact of relays 1
- 7 ground or alternate voltage input
- 8 positive or alternate voltage input
- 9-10 connection to optional door lock release



Example of composition



PROXIMITY READER FOR ACCESS CONTROL



FP52.

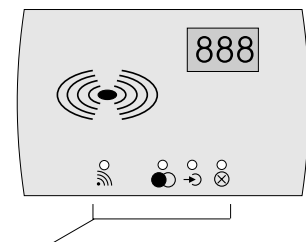
This article allows for the activation of 2 relays by means of keytags or electronic ISO cards based on transponder technology. Programmable activation time from 1 to 63 seconds for every relay. 4 user cards and 1 master card supplied with the product. Acoustic and visual control signals and 3-digit display to view numbers and codes during set-up and operation.

Technical data

- Power supply 12Vac/dc ±10%
- Stand-by current 0.1A
- Maximum current consumption 0.25A
- Contact ratings 24Vac - 2A
- Max. number of cards 490
- Max. number of Master cards 10
- Number of relays 2
- Relay time 1 to 63 sec.
- Minimum recognition distance 3 cm
- Maximum recognition time 1 sec.
- Operating temperature 0° ÷ +40°C
- Maximum permitted humidity 85% RH

Terminals

- +A positive or alternate current input
- A ground or alternate current input
- PB door open button
- NC2 normally closed contact of relay 2
- NA2 normally open contact of relay 2
- C2 common terminal of relay 2
- NC1 normally closed contact of relay 1
- NA1 normally open contact of relay 1
- C1 common terminal of relay 1

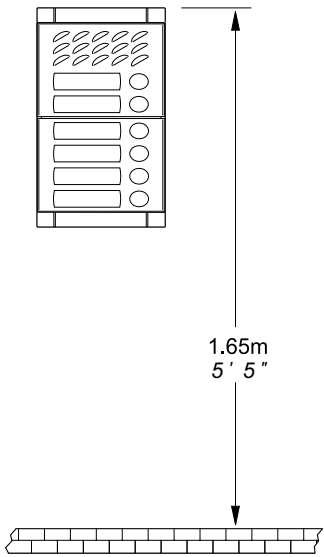


- ☺ **Card recognition LED.** It turns ON during card recognition.
- **Relay activation LED.** It indicates relay deactivation (red) or activation (green).
- ➡ **Program LED.** It turns ON during system programming.
- ⊗ **Card cancellation and system setup LED.** It turns ON during Master or user card cancellation and system setup.

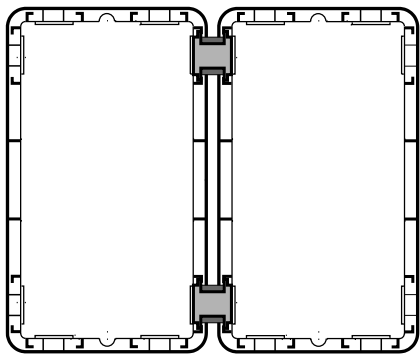
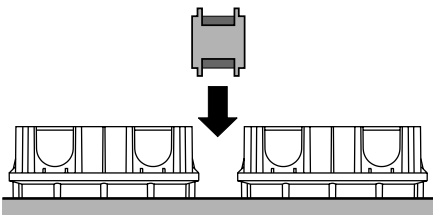


EXTERNAL DOOR STATIONS

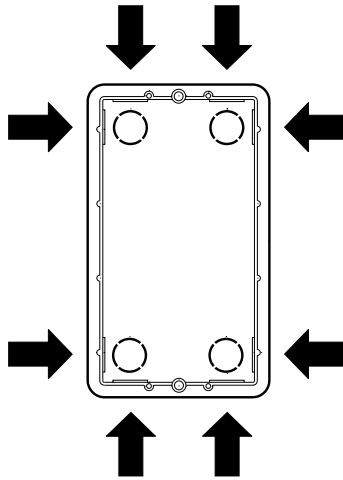
PUSH-BUTTONS MODY series



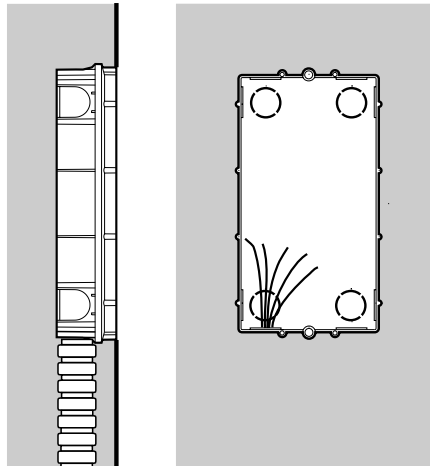
Place the box of the push button panel at a height of about 1.65m (5' 5") from the floor keeping the front edges flush-mounted and vertical to the finished plaster.



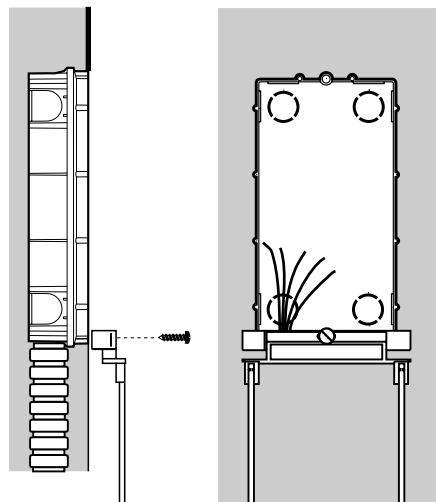
Insertion of cable bush between back boxes. The cable bushes must be inserted before brickwork.



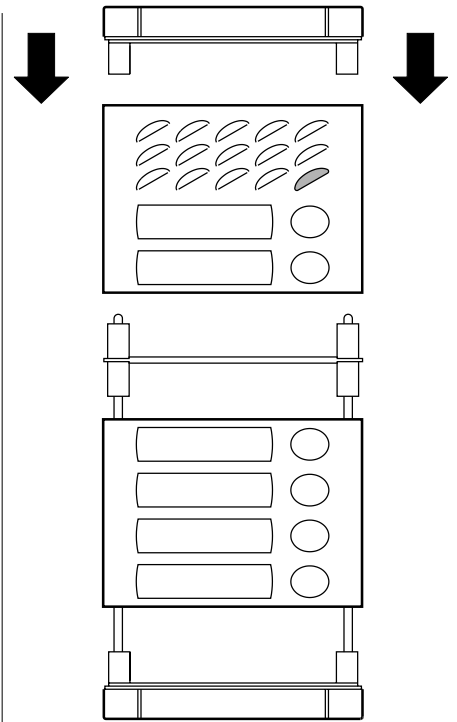
Openings for cables.



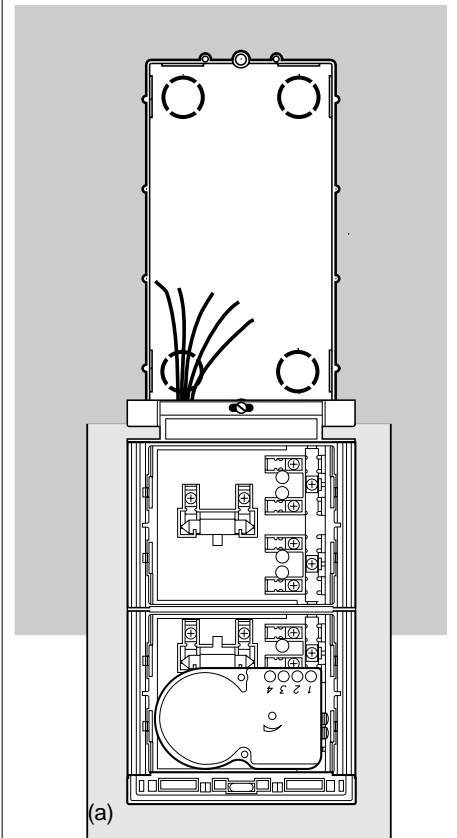
Flush mounting and cables placing.



Lower fixing of the module frame.



Mounting of button module.

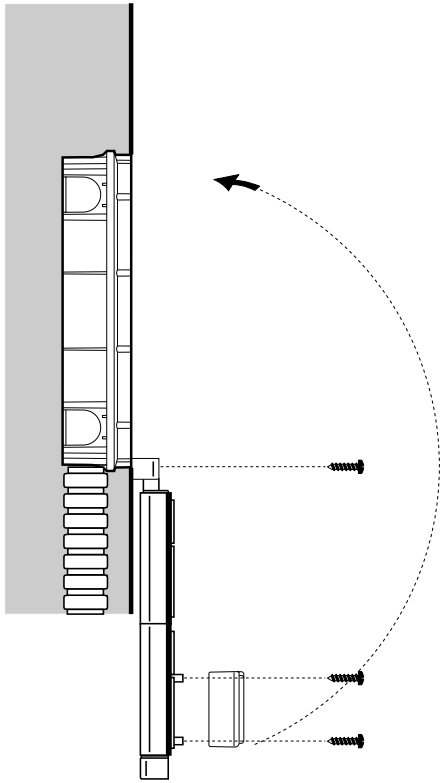


Lower fixing of the module frame on back box. It is advised to insert a protection (a) between panel and wall while fixing.

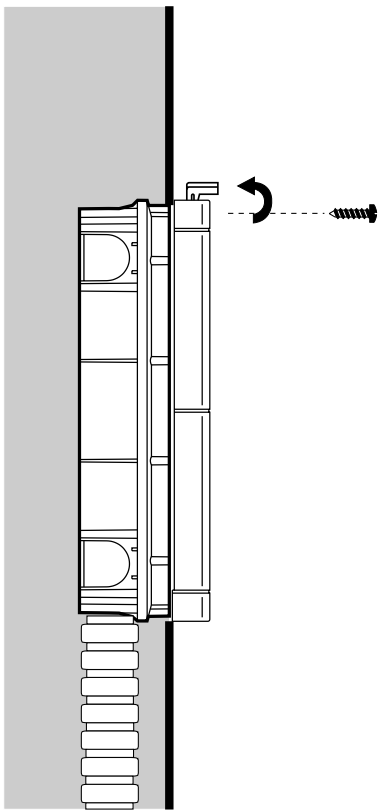


EXTERNAL DOOR STATIONS

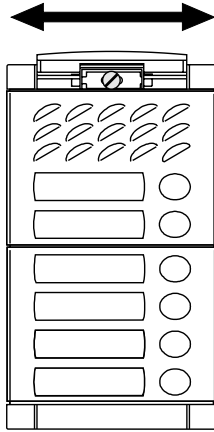
PUSH-BUTTONS MODY series



Mounting of frame bottom and door speaker (amplifier).

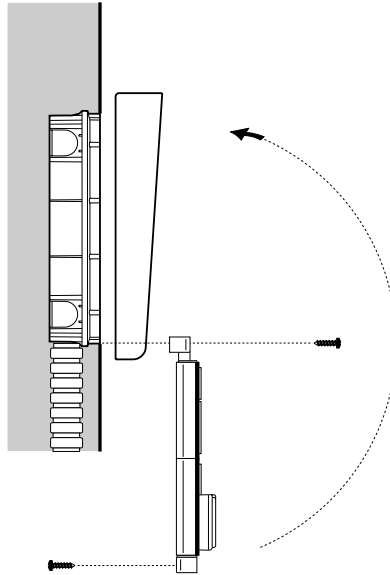


Top fixing of the panel.



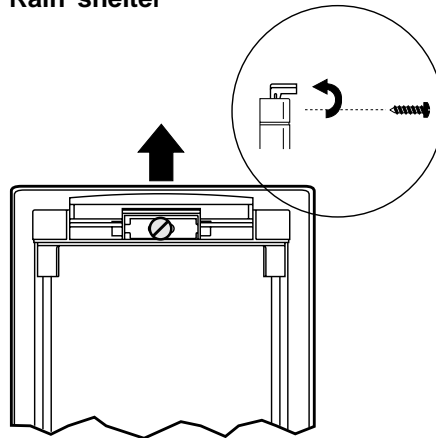
Alignment of the panel.

Hood covers

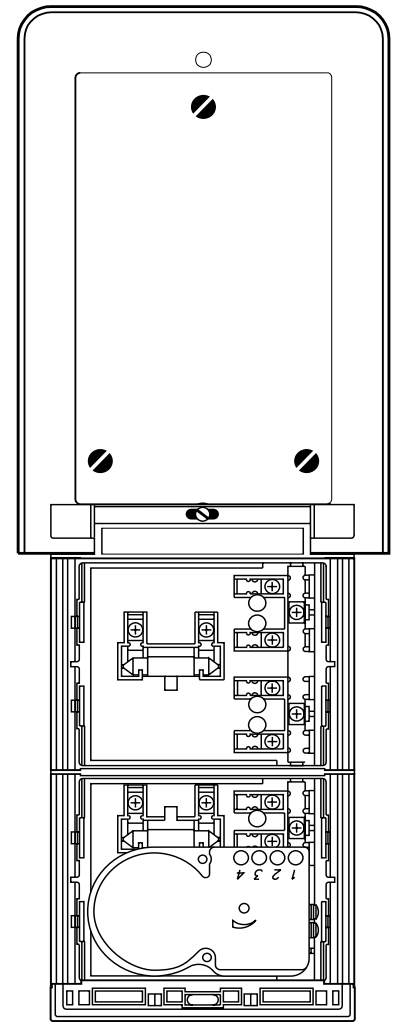


Fixing of the hood cover between the back box and the module frame.

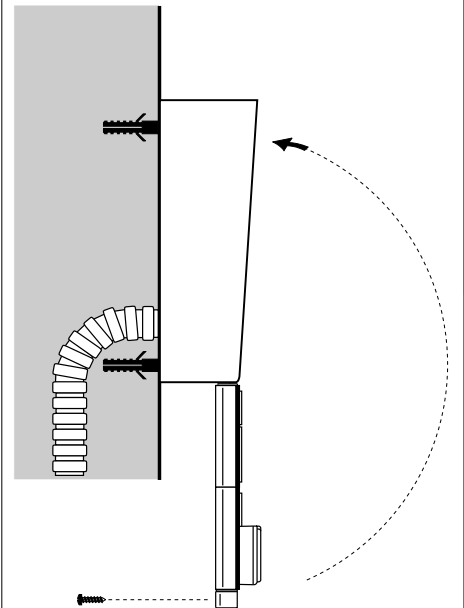
Rain shelter



Dismounting of the frame top side from the rain shelter.



Modules insertion and wall fixing of rain shelter.



Mounting of the frame top to the rain shelter.



PUSH-BUTTONS MODY series

Example of Mody push-button panel installations.

1 call button 2 call buttons

3 call buttons 4 call buttons 5 call buttons 6 call buttons

7 call buttons 8 call buttons 9 call buttons 10 call buttons

11 call buttons 13 call buttons 14 call buttons 11 call buttons 12 call buttons 13 call buttons 14 call buttons

16 call buttons 17 call buttons 18 call buttons 19 call buttons 21 call buttons 23 call buttons 24 call buttons

25 call buttons 27 call buttons 28 call buttons 29 call buttons 31 call buttons 34 call buttons


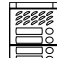







35 call buttons 38 call buttons 41 call buttons 44 call buttons 46 call buttons

48 call buttons 52 call buttons 58 call buttons 62 call buttons



PUSH-BUTTONS MODY series

Composition board of Mody push-button panels.

N° calls	Compositions and dimensions	Doorspeaker (amplifier)	Module for speaker	Button modules and number or blank module			Back box and module frame	Hood covers	Rain shelter
1	 124x121.5x19 (4 7/8" x 4 13/16" x 3/4")	1 MD30	1 MD11	-	-	-	1 MD71	1 MD81	1 MD91
2		1 MD30	1 MD12	-	-	-	1 MD71	1 MD81	1 MD91
3		1 MD30	1 MD10	1 MD23	-	-	1 MD72	1 MD82	1 MD92
4		1 MD30	1 MD10	1 MD24	-	-	1 MD72	1 MD82	1 MD92
5	 124x213x19 (4 7/8" x 8 3/8" x 3/4")	1 MD30	1 MD11	1 MD24	-	-	1 MD72	1 MD82	1 MD92
6		1 MD30	1 MD12	1 MD24	-	-	1 MD72	1 MD82	1 MD92
7		1 MD30	1 MD10	1 MD24	1 MD23	-	1 MD73	1 MD83	1 MD93
8		1 MD30	1 MD10	2 MD24	-	-	1 MD73	1 MD83	1 MD93
9		1 MD30	1 MD11	2 MD24	-	-	1 MD73	1 MD83	1 MD93
10	 124x304.5x19 (4 7/8" x 12" x 3/4")	1 MD30	1 MD12	2 MD24	-	-	1 MD73	1 MD83	1 MD93
11		1 MD30	1 MD10	2 MD24	1 MD23	-	2 MD72 ■	1 MD84 ■	1 MD94 ■
12		1 MD30	1 MD10	3 MD24	-	-	2 MD72 ■	1 MD84 ■	1 MD94 ■
13		1 MD30	1 MD11	3 MD24	-	-	2 MD72 ■	1 MD84 ■	1 MD94 ■
14	 248x213x19 (9 3/4" x 8 3/8" x 3/4")	1 MD30	1 MD12	3 MD24	-	-	2 MD72 ■	1 MD84 ■	1 MD94 ■
15		1 MD30	1 MD10	3 MD24	1 MD23	1 *	2 MD73	1 MD86	1 MD96
16		1 MD30	1 MD10	4 MD24	-	1 *	2 MD73	1 MD86	1 MD96
17		1 MD30	1 MD11	4 MD24	-	1 *	2 MD73	1 MD86	1 MD96
18		1 MD30	1 MD12	4 MD24	-	1 *	2 MD73	1 MD86	1 MD96
19		1 MD30	1 MD10	4 MD24	1 MD23	-	2 MD73	1 MD86	1 MD96
20	 248x304.5x19 (9 3/4" x 12" x 3/4")	1 MD30	1 MD10	5 MD24	-	-	2 MD73	1 MD86	1 MD96
21		1 MD30	1 MD11	5 MD24	-	-	2 MD73	1 MD86	1 MD96
22		1 MD30	1 MD12	5 MD24	-	-	2 MD73	1 MD86	1 MD96
23		1 MD30	1 MD10	5 MD24	1 MD23	1 *	2 MD74	1 MD808	1 MD908
24		1 MD30	1 MD10	6 MD24	-	1 *	2 MD74	1 MD808	1 MD908
25		1 MD30	1 MD11	6 MD24	-	1 *	2 MD74	1 MD808	1 MD908
26		1 MD30	1 MD12	6 MD24	-	1 *	2 MD74	1 MD808	1 MD908
27		1 MD30	1 MD12	6 MD24	1 MD21	-	2 MD74	1 MD808	1 MD908
28		1 MD30	1 MD12	6 MD24	1 MD22	-	2 MD74	1 MD808	1 MD908
29	 248x395x19 (9 3/4" x 15 9/16" x 3/4")	1 MD30	1 MD12	6 MD24	1 MD23	-	2 MD74	1 MD808	1 MD908
30		1 MD30	1 MD12	7 MD24	-	-	2 MD74	1 MD808	1 MD908
31		1 MD30	1 MD11	6 MD24	2 MD23	-	3 MD73	1 MD89	1 MD99
32		1 MD30	1 MD10	8 MD24	-	-	3 MD73	1 MD89	1 MD99
33	 372x304.5x19 (14 5/8" x 12" x 3/4")	1 MD30	1 MD11	8 MD24	-	-	3 MD73	1 MD89	1 MD99
34		1 MD30	1 MD12	8 MD24	-	-	3 MD73	1 MD89	1 MD99
35		1 MD30	1 MD10	8 MD24	1 MD23	2 *	3 MD74	1 MD812	1 MD912
36		1 MD30	1 MD12	8 MD24	2 MD21	1 *	3 MD74	1 MD812	1 MD912
37		1 MD30	1 MD11	9 MD24	-	2 *	3 MD74	1 MD812	1 MD912
38		1 MD30	1 MD10	9 MD24	2 MD21	-	3 MD74	1 MD812	1 MD912
39		1 MD30	1 MD11	9 MD24	2 MD21	-	3 MD74	1 MD812	1 MD912
40		1 MD30	1 MD12	9 MD24	2 MD21	-	3 MD74	1 MD812	1 MD912
41		1 MD30	1 MD11	9 MD24	2 MD22	-	3 MD74	1 MD812	1 MD912
43	 372x395x19 (14 5/8" x 15 9/16" x 3/4")	1 MD30	1 MD12	10 MD24	1 MD21	-	3 MD74	1 MD812	1 MD912
45		1 MD30	1 MD12	10 MD24	1 MD23	-	3 MD74	1 MD812	1 MD912
46		1 MD30	1 MD12	11 MD24	-	-	3 MD74	1 MD812	1 MD912
48		1 MD30	1 MD10	12 MD24	-	3 *	4 MD74	-	-
50		1 MD30	1 MD10	12 MD24	2 MD21	1 *	4 MD74	-	-
52		1 MD30	1 MD11	12 MD24	3 MD21	-	4 MD74	-	-
53		1 MD30	1 MD12	12 MD24	3 MD21	-	4 MD74	-	-
55		1 MD30	1 MD11	13 MD24	2 MD21	-	4 MD74	-	-
58	 496x395x19 (19 1/2" x 15 9/16" x 3/4")	1 MD30	1 MD10	14 MD24	1 MD22	-	4 MD74	-	-
62		1 MD30	1 MD12	15 MD24	-	-	4 MD74	-	-

■ or MD74 or MD804 or MD904

* or MD20 or MD50 or FC52P or FP52

Optional

It replaces MD71, 72, 73, 74



PUSH-BUTTONS MODY series

Example of Mody push-button panel installations.

2 call buttons 4 call buttons

6 call buttons 8 call buttons 10 call buttons 12 call buttons

22 call buttons 26 call buttons 28 call buttons 22 call buttons 24 call buttons 26 call buttons 28 call buttons

32 call buttons 34 call buttons 36 call buttons 38 call buttons 42 call buttons 46 call buttons 48 call buttons

50 call buttons 54 call buttons 56 call buttons 58 call buttons 62 call buttons 68 call buttons

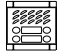
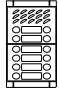
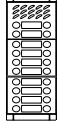
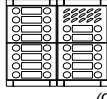
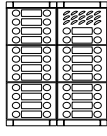
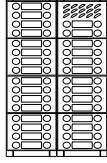
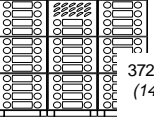
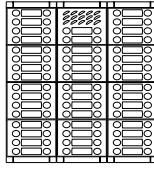
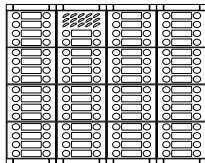
70 call buttons 76 call buttons 82 call buttons 88 call buttons 92 call buttons

96 call buttons 104 call buttons 116 call buttons 124 call buttons



PUSH-BUTTONS MODY series

Composition board of Mody push-button panels.

N° calls	Compositions and dimensions	Doorspeaker (amplifier)	Module for speaker	Button modules and number or blank module			Back box and module frame	Hood covers	Rain shelter
2	 124x121.5x19 (4 ⁷ / ₈ " x 4 ¹³ / ₁₆ " x 3 ³ / ₄ "	1 MD30	1 MD122	-	-	-	1 MD71	1 MD81	1 MD91
4		1 MD30	1 MD124	-	-	-	1 MD71	1 MD81	1 MD91
6	 124x213x19 (4 ⁷ / ₈ " x 8 ³ / ₈ " x 3 ³ / ₄ "	1 MD30	1 MD10	1 MD226	-	-	1 MD72	1 MD82	1 MD92
8		1 MD30	1 MD10	1 MD228	-	-	1 MD72	1 MD82	1 MD92
10		1 MD30	1 MD122	1 MD228	-	-	1 MD72	1 MD82	1 MD92
12		1 MD30	1 MD124	1 MD228	-	-	1 MD72	1 MD82	1 MD92
14	 124x304.5x19 (4 ⁷ / ₈ " x 12" x 3 ³ / ₄ "	1 MD30	1 MD10	1 MD228	1 MD226	-	1 MD73	1 MD83	1 MD93
16		1 MD30	1 MD10	2 MD228	-	-	1 MD73	1 MD83	1 MD93
18		1 MD30	1 MD122	2 MD228	-	-	1 MD73	1 MD83	1 MD93
20		1 MD30	1 MD124	2 MD228	-	-	1 MD73	1 MD83	1 MD93
22	 248x213x19 (9 ³ / ₄ " x 8 ³ / ₈ " x 3 ³ / ₄ "	1 MD30	1 MD10	2 MD228	1 MD226	-	2 MD72 ■	1 MD84 ■	1 MD94 ■
24		1 MD30	1 MD10	3 MD228	-	-	2 MD72 ■	1 MD84 ■	1 MD94 ■
26		1 MD30	1 MD122	3 MD228	-	-	2 MD72 ■	1 MD84 ■	1 MD94 ■
28		1 MD30	1 MD124	3 MD228	-	-	2 MD72 ■	1 MD84 ■	1 MD94 ■
30	 248x304.5x19 (9 ³ / ₄ " x 12" x 3 ³ / ₄ "	1 MD30	1 MD10	3 MD228	1 MD226	1 *	2 MD73	1 MD86	1 MD96
32		1 MD30	1 MD10	4 MD228	-	1 *	2 MD73	1 MD86	1 MD96
34		1 MD30	1 MD122	4 MD228	-	1 *	2 MD73	1 MD86	1 MD96
36		1 MD30	1 MD124	4 MD228	-	1 *	2 MD73	1 MD86	1 MD96
38		1 MD30	1 MD10	4 MD228	1 MD226	-	2 MD73	1 MD86	1 MD96
40		1 MD30	1 MD10	5 MD228	-	-	2 MD73	1 MD86	1 MD96
42		1 MD30	1 MD122	5 MD228	-	-	2 MD73	1 MD86	1 MD96
44		1 MD30	1 MD124	5 MD228	-	-	2 MD73	1 MD86	1 MD96
46	 248x395x19 (9 ³ / ₄ " x 15 ³ / ₁₆ " x 3 ³ / ₄ "	1 MD30	1 MD10	5 MD228	1 MD226	1 *	2 MD74	1 MD808	1 MD908
48		1 MD30	1 MD10	6 MD228	-	1 *	2 MD74	1 MD808	1 MD908
50		1 MD30	1 MD122	6 MD228	-	1 *	2 MD74	1 MD808	1 MD908
52		1 MD30	1 MD124	6 MD228	-	1 *	2 MD74	1 MD808	1 MD908
54		1 MD30	1 MD124	6 MD228	1 MD222	-	2 MD74	1 MD808	1 MD908
56		1 MD30	1 MD124	6 MD228	1 MD224	-	2 MD74	1 MD808	1 MD908
58		1 MD30	1 MD124	6 MD228	1 MD226	-	2 MD74	1 MD808	1 MD908
60		1 MD30	1 MD124	7 MD228	-	-	2 MD74	1 MD808	1 MD908
62	 372x304.5x19 (14 ⁵ / ₈ " x 12" x 3 ³ / ₄ "	1 MD30	1 MD122	6 MD228	2 MD226	-	3 MD73	1 MD89	1 MD99
64		1 MD30	1 MD10	8 MD228	-	-	3 MD73	1 MD89	1 MD99
66		1 MD30	1 MD122	8 MD228	-	-	3 MD73	1 MD89	1 MD99
68		1 MD30	1 MD124	8 MD228	-	-	3 MD73	1 MD89	1 MD99
70	 372x395x19 (14 ⁵ / ₈ " x 15 ³ / ₁₆ " x 3 ³ / ₄ "	1 MD30	1 MD10	8 MD228	1 MD226	2 *	3 MD74	1 MD812	1 MD912
72		1 MD30	1 MD124	8 MD228	2 MD222	1 *	3 MD74	1 MD812	1 MD912
74		1 MD30	1 MD122	9 MD228	-	2 *	3 MD74	1 MD812	1 MD912
76		1 MD30	1 MD10	9 MD228	2 MD222	-	3 MD74	1 MD812	1 MD912
78		1 MD30	1 MD122	9 MD228	2 MD222	-	3 MD74	1 MD812	1 MD912
80		1 MD30	1 MD124	9 MD228	2 MD222	-	3 MD74	1 MD812	1 MD912
82		1 MD30	1 MD122	9 MD228	2 MD224	-	3 MD74	1 MD812	1 MD912
86		1 MD30	1 MD124	10 MD228	1 MD222	-	3 MD74	1 MD812	1 MD912
90	1 MD30	1 MD124	10 MD228	1 MD226	-	3 MD74	1 MD812	1 MD912	
92	1 MD30	1 MD124	11 MD228	-	-	3 MD74	1 MD812	1 MD912	
96	 496x395x19 (19 ¹ / ₂ " x 15 ³ / ₁₆ " x 3 ³ / ₄ "	1 MD30	1 MD10	12 MD228	-	3 *	4 MD74	-	-
100		1 MD30	1 MD10	12 MD228	2 MD222	1 *	4 MD74	-	-
104		1 MD30	1 MD122	12 MD228	3 MD222	-	4 MD74	-	-
106		1 MD30	1 MD124	12 MD228	3 MD222	-	4 MD74	-	-
110	1 MD30	1 MD122	12 MD228	3 MD224	-	4 MD74	-	-	
116	1 MD30	1 MD122	12 MD228	3 MD226	-	4 MD74	-	-	
124	1 MD30	1 MD124	15 MD228	-	-	4 MD74	-	-	

■ or MD74 or MD804 or MD904 * or MD20 or MD50 or FC52P or FP52

Optional

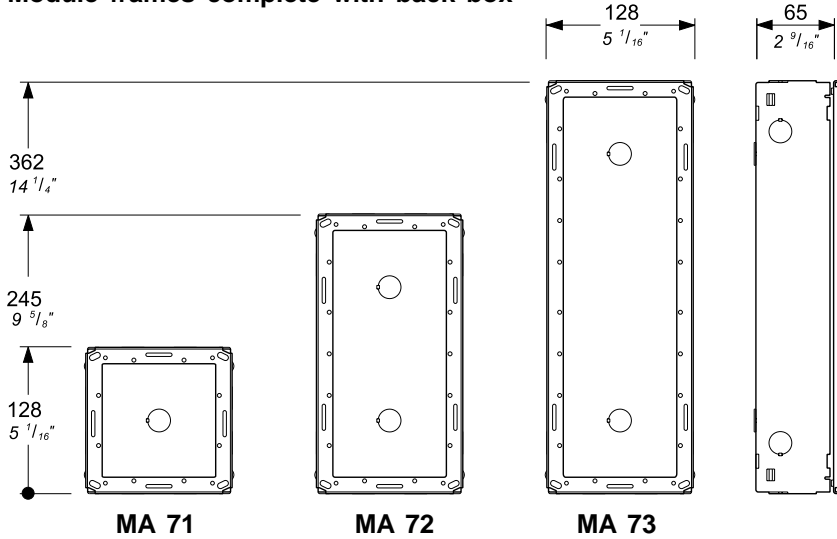
It replaces MD71, 72, 73, 74



EXTERNAL DOOR STATIONS

PUSH-BUTTONS Matrix series

Module frames complete with back box

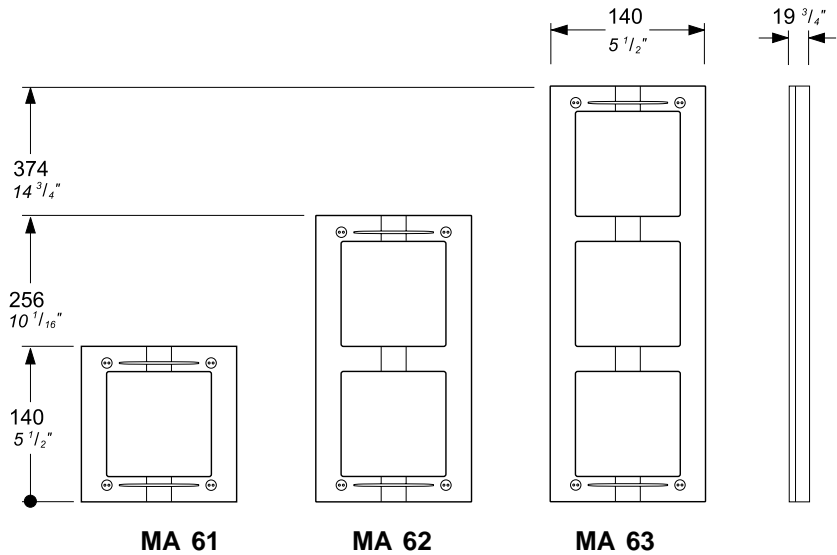


Stainless steel anti-vandalism push-button panels especially studied to withstand burglary, penetration of solids and water jets (IP 45 protection degree against the penetration of external solids and water; IK09 against shocks). The Matrix push-button panels include back boxes, module frames, die-cast aluminium decorative frames, button modules, and modules with built-in speaker unit (with or without camera).

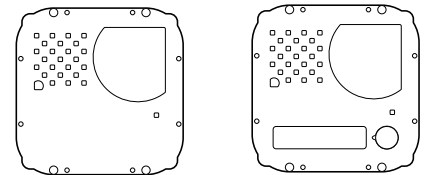
The careful selection of modules allows for multiple application opportunities; from one-way installations to blocks of flats; from intercom to video intercom installations.

The push-button elements have been developed to allow both for horizontal and vertical configuration.

Front frames



Video modules with door speaker integrated



MA 42
without call buttons
and with B/W camera

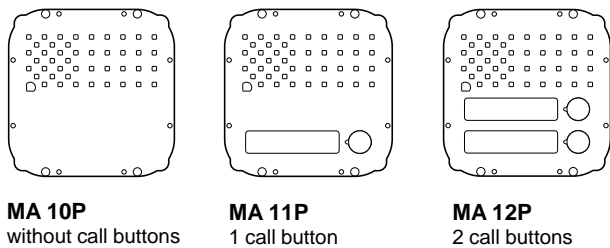
MA 43
with 1 call button and
B/W camera

MA 42C
without call buttons
and with colour camera

MA 43C
with 1 call button and
colour camera

For specifications see page 86.

Modules with door speaker integrated

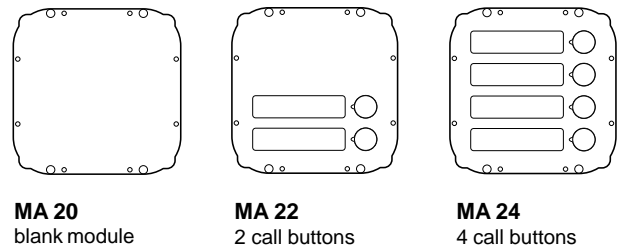


MA 10P
without call buttons

MA 11P
1 call button

MA 12P
2 call buttons

Push-button modules



MA 20
blank module

MA 22
2 call buttons

MA 24
4 call buttons



EXTERNAL DOOR STATIONS

PUSH-BUTTONS Matrix series

Modules with door speaker integrated

MA 10P.

- amplified speaker unit with volume adjustment of 2 channels (reception and transmission)
- steel front plate
- red operation LED.

MA 11P.

Same as MA 10P, with call button and name plate panel with breakproof transparent screen and green LED backlight.

MA 12P.

With 2 call buttons.

Push-button modules

MA 20.

Blank module in stainless steel.

MA 22.

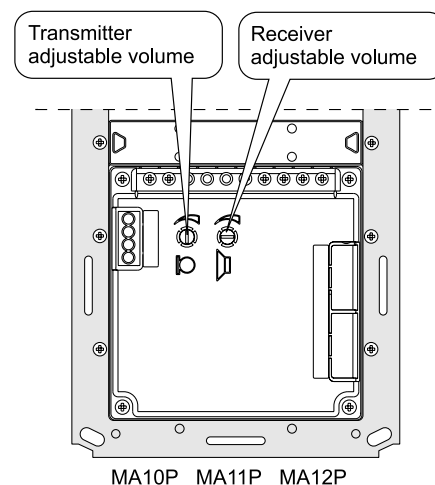
Module with 2 call buttons and name plate panel with breakproof transparent screen and green LED backlight.

MA 24.

With 4 call buttons.

Audio adjustments

If necessary, it is possible to adjust the volume of the 2 channels audio opportunely varying the external knobs.



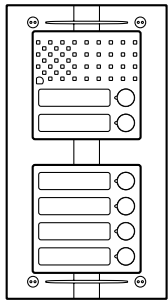
Technical characteristics of MATRIX modules terminal boards

MA10P	MA11P	MA12P	MA20	MA22	MA24	MA42 MA42C	MA43 MA43C	
1	1	1				1	1	Reception audio line
2	2	2				2	2	Transmission audio line
3	3	3				3	3	Power supply input for electric door speaker (6÷12Vdc)
4	4	4				4	4	Audio ground
-	-	-	-	-	-	-	-	Alternated power supply input or ground for name-plate Led
A	A	A	A	A	A	A	A	AC or DC power supply input for name-plate Led (12Vac-dc)
	C	C		C	C		C	Call push-buttons common
	P1	P1		P1	P1		P1	Call push-button
		P2		P2	P2			Call push-button
					P3			Call push-button
					P4			Call push-button
						V	V	Video signal output (coaxial cable)
						M	M	Video ground (coaxial shield)
						H	H	Positive voltage input for camera (18÷24Vdc)
L-	L-	L-				L-	L-	Alternated power supply input or ground for service Led
L+	L+	L+				L+	L+	AC or DC power supply input for service Led (12Vac-dc)

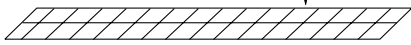


EXTERNAL DOOR STATIONS

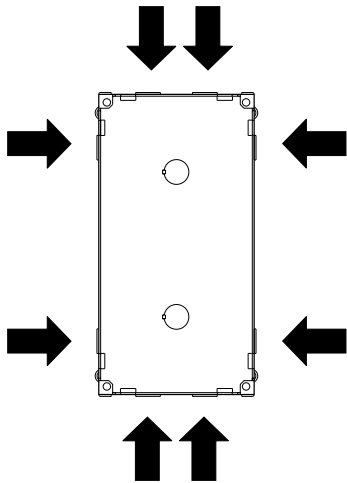
PUSH-BUTTONS Matrix series



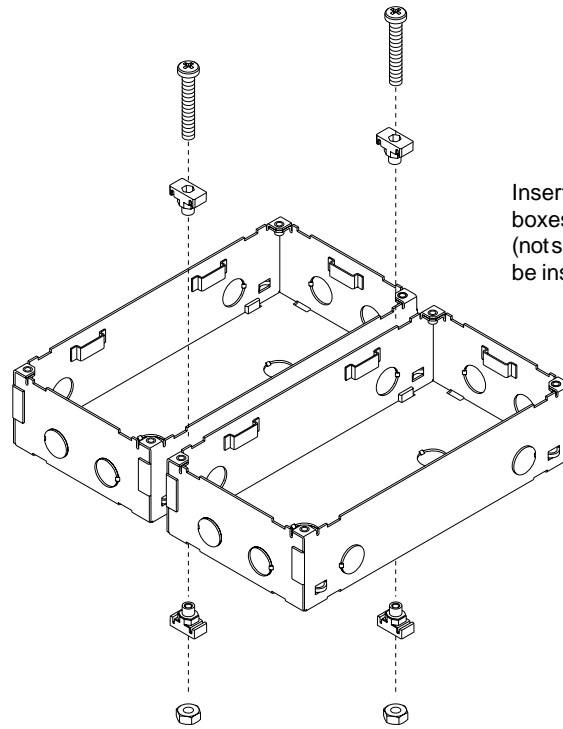
1.65m
5' 5"



Place the box of the push button panel at a height of about 1.65m (5' 5") from the floor keeping the front edges flush-mounted and vertical to the finished plaster.

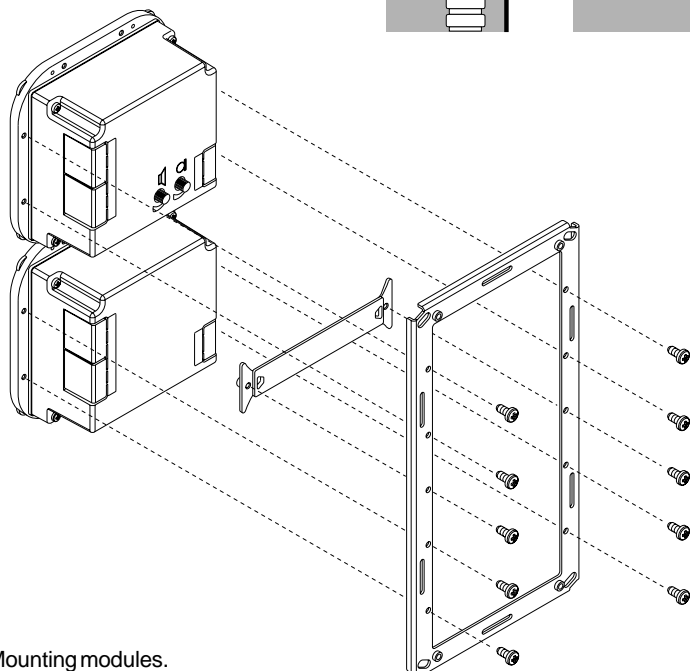
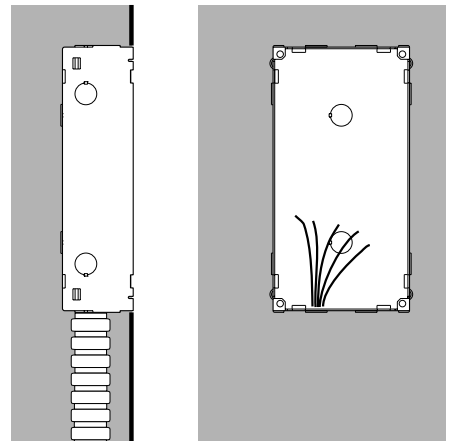


Openings for cables.



Insertion of spacers between back boxes. Spacers and cable bushing (not supplied with the products) must be inserted before brick work.

Flush mounting and cables placing.

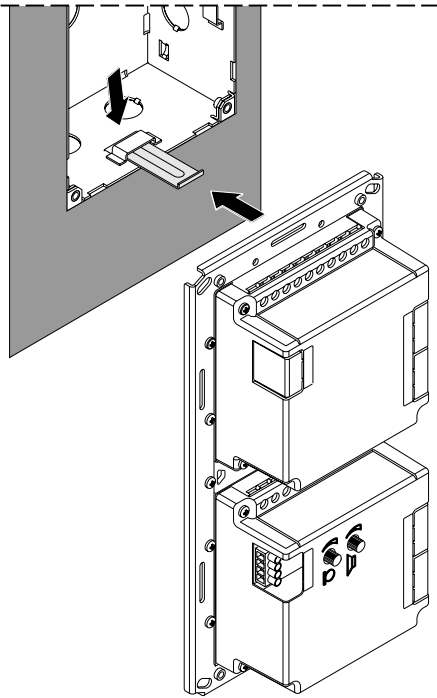


Mounting modules.

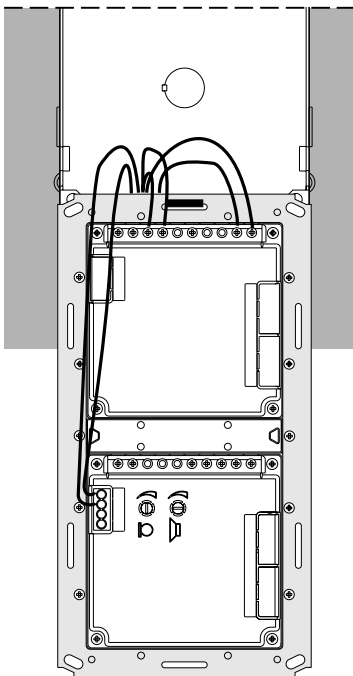


EXTERNAL DOOR STATIONS

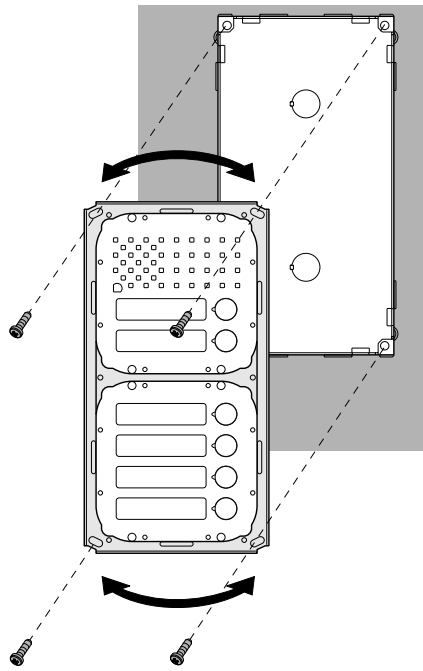
PUSH-BUTTONS Matrix series



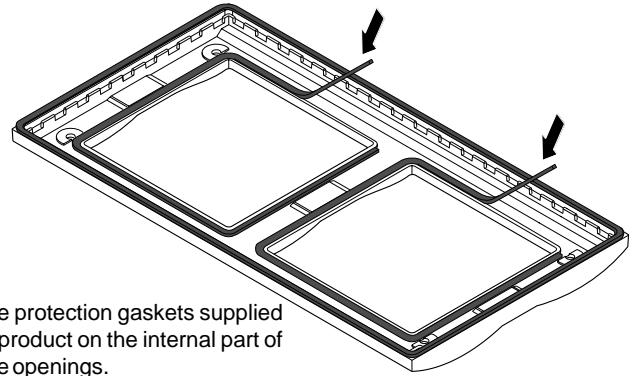
For easier connection to the electrical system, it is recommended to insert the metal plate supplied with the product in the back box opening, as shown in the figure. The plate is used to hook the frame with pre-assembled modules. Leave the plate in the box to reuse it for maintenance operations.



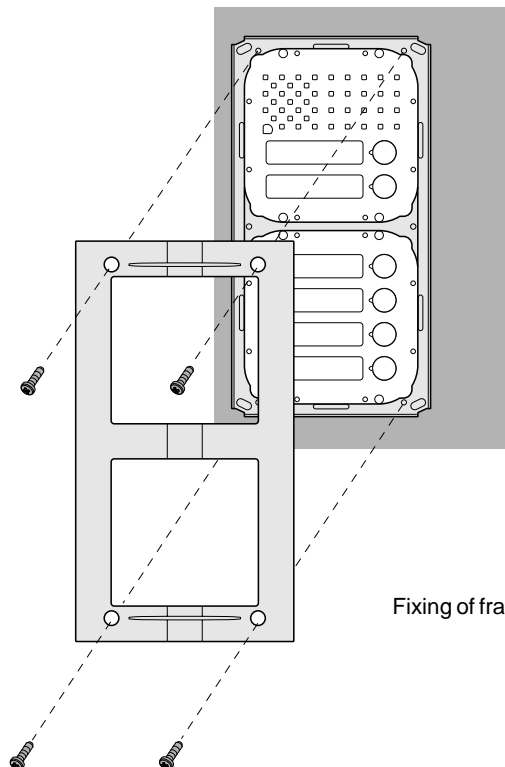
Connection of wires to module terminal boxes.



Fixing of frame to back box. Align the frame before tightening the screws.



Apply the protection gaskets supplied with the product on the internal part of the frame openings.



Fixing of frame to module frame.



EXTERNAL DOOR STATIONS

PUSH-BUTTONS Matrix series

Example of Matrix push-button panel installations.

INTERCOMS * VIDEOINTERCOMS * TELECOMMUNICATION

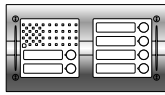
M A T R I X



1 call button



2 call buttons



6 call buttons



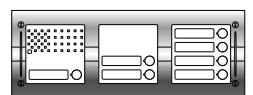
8 call buttons



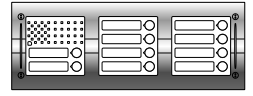
9 call buttons



10 call buttons



7 call buttons



10 call buttons



3 call buttons



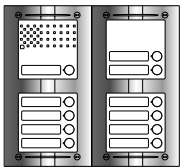
4 call buttons



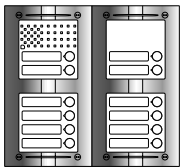
5 call buttons



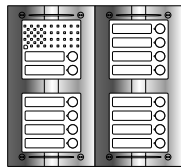
6 call buttons



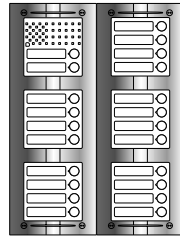
11 call buttons



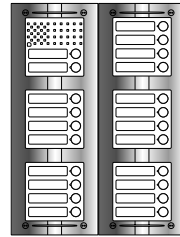
12 call buttons



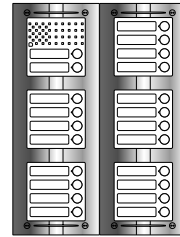
14 call buttons



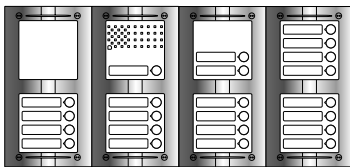
15 call buttons



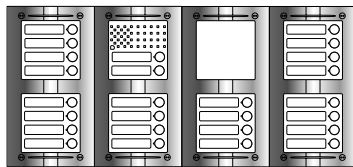
18 call buttons



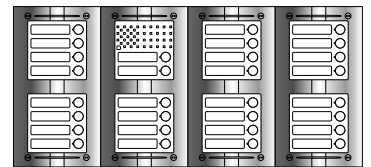
22 call buttons



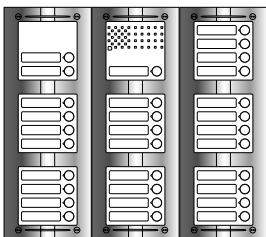
23 call buttons



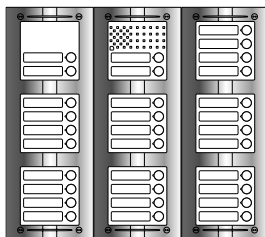
26 call buttons



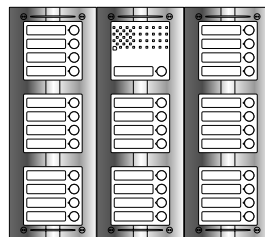
30 call buttons



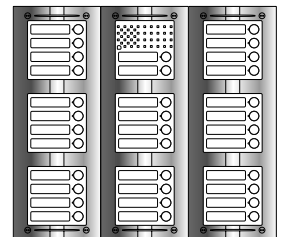
31 call buttons



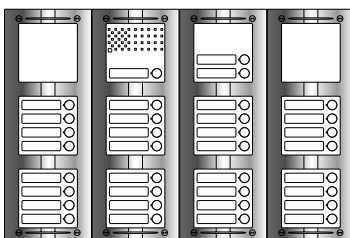
32 call buttons



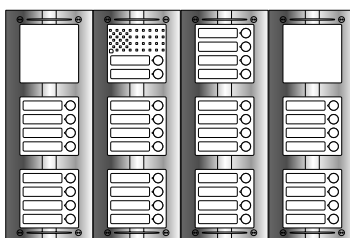
33 call buttons



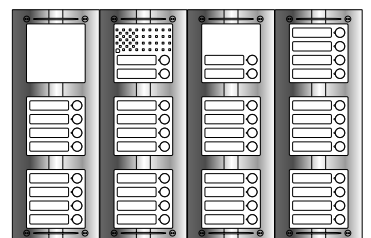
34 call buttons



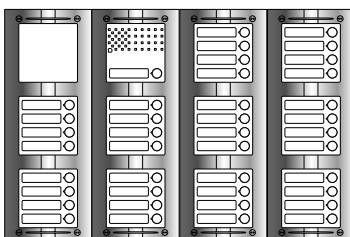
35 call buttons



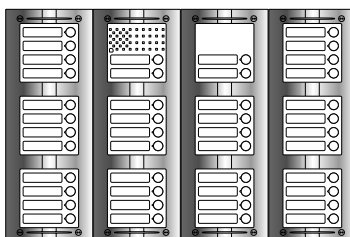
38 call buttons



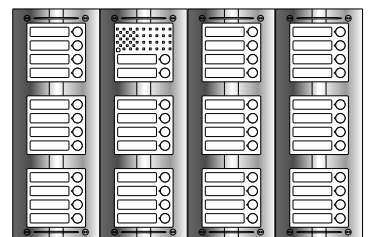
40 call buttons



41 call buttons



44 call buttons




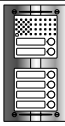
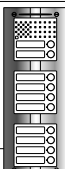
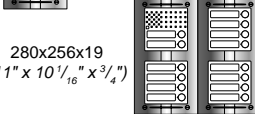
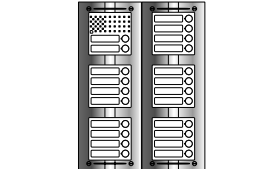
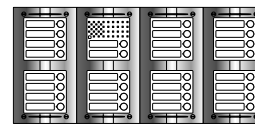
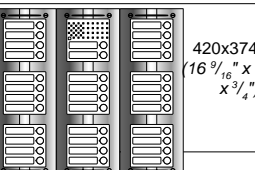
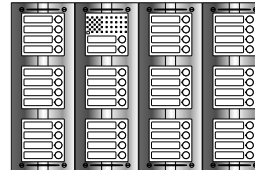
46 call buttons



EXTERNAL DOOR STATIONS

PUSH-BUTTONS Matrix series

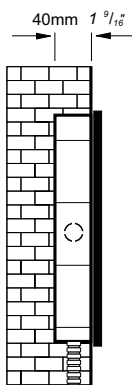
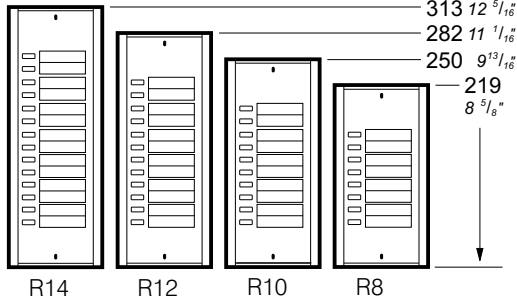
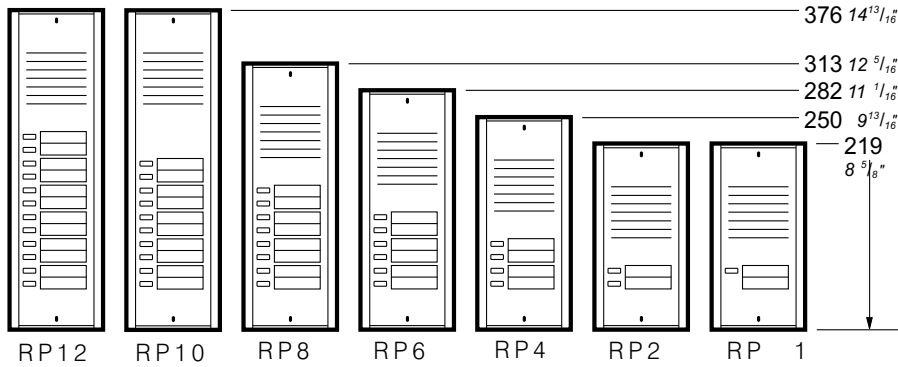
Composition board of Matrix push-button panels.

N° calls	Compositions and dimensions	Door speaker module (amplifier)	Button modules and number or blank module			Front frames	Back box and module frame
1	 140x140x19 (5 1/2" x 5 1/2" x 3/4")	1 MA11P	-	-	-	1 MA61	1 MA71
2		1 MA12P	-	-	-	1 MA61	1 MA71
3	 140x256x19 (5 1/2" x 10 1/16" x 3/4")	1 MA11P	1 MA22	-	-	1 MA62	1 MA72
4		1 MA10P	1 MA24	-	-	1 MA62	1 MA72
5		1 MA11P	1 MA24	-	-	1 MA62	1 MA72
6		1 MA12P	1 MA24	-	-	1 MA62	1 MA72
7	 140x374x19 (5 1/2" x 14 3/4" x 3/4")	1 MA11P	1 MA24	1 MA22	-	1 MA63	1 MA73
8		1 MA10P	2 MA24	-	-	1 MA63	1 MA73
9		1 MA11P	2 MA24	-	-	1 MA63	1 MA73
10		1 MA12P	2 MA24	-	-	1 MA63	1 MA73
11	 280x256x19 (11" x 10 1/16" x 3/4")	1 MA11P	2 MA24	1 MA22	-	2 MA62	2 MA72
12		1 MA12P	2 MA24	1 MA22	-	2 MA62	2 MA72
13		1 MA11P	3 MA24	-	-	2 MA62	2 MA72
14		1 MA12P	3 MA24	-	-	2 MA62	2 MA72
15	 280x374x19 (11" x 14 3/4" x 3/4")	1 MA11P	3 MA24	1 MA22	1 MA20	2 MA63	2 MA73
16		1 MA10P	4 MA24	-	1 MA20	2 MA63	2 MA73
17		1 MA11P	4 MA24	-	1 MA20	2 MA63	2 MA73
18		1 MA10P	4 MA24	1 MA22	-	2 MA63	2 MA73
19		1 MA11P	4 MA24	1 MA22	-	2 MA63	2 MA73
20		1 MA12P	4 MA24	1 MA22	-	2 MA63	2 MA73
21		1 MA11P	5 MA24	-	-	2 MA63	2 MA73
22		1 MA12P	5 MA24	-	-	2 MA63	2 MA73
23	 560x256x19 (22 1/16" x 10 1/16" x 3/4")	1 MA11P	5 MA24	1 MA22	1 MA20	4 MA62	4 MA72
24		1 MA10P	6 MA24	-	1 MA20	4 MA62	4 MA72
25		1 MA11P	6 MA24	-	1 MA20	4 MA62	4 MA72
26		1 MA12P	6 MA24	-	1 MA20	4 MA62	4 MA72
27		1 MA11P	6 MA24	1 MA22	-	4 MA62	4 MA72
28		1 MA12P	6 MA24	1 MA22	-	4 MA62	4 MA72
29		1 MA11P	7 MA24	-	-	4 MA62	4 MA72
30		1 MA12P	7 MA24	-	-	4 MA62	4 MA72
31	 420x374x19 (16 9/16" x 14 3/4" x 3/4")	1 MA11P	7 MA24	1 MA22	-	3 MA63	3 MA73
32		1 MA12P	7 MA24	1 MA22	-	3 MA63	3 MA73
33		1 MA11P	8 MA24	-	-	3 MA63	3 MA73
34		1 MA12P	8 MA24	-	-	3 MA63	3 MA73
35		1 MA11P	8 MA24	1 MA22	2 MA20	4 MA63	4 MA73
36		1 MA10P	9 MA24	-	2 MA20	4 MA63	4 MA73
37		1 MA11P	9 MA24	-	2 MA20	4 MA63	4 MA73
38		1 MA12P	9 MA24	-	2 MA20	4 MA63	4 MA73
39	 560x374x19 (22 1/16" x 14 3/4" x 3/4")	1 MA11P	9 MA24	1 MA22	1 MA20	4 MA63	4 MA73
40		1 MA12P	9 MA24	1 MA22	1 MA20	4 MA63	4 MA73
41		1 MA11P	10 MA24	-	1 MA20	4 MA63	4 MA73
42		1 MA12P	10 MA24	-	1 MA20	4 MA63	4 MA73
43		1 MA11P	10 MA24	1 MA22	-	4 MA63	4 MA73
44		1 MA12P	10 MA24	1 MA22	-	4 MA63	4 MA73
45		1 MA11P	11 MA24	-	-	4 MA63	4 MA73
46		1 MA12P	11 MA24	-	-	4 MA63	4 MA73



EXTERNAL DOOR STATIONS

PUSH-BUTTONS ErreP/R series



R. Push-button panels provided only with buttons. An electric door speaker cannot be fitted inside. When such panels are installed together with the previous ones, a system with over 12 calls is obtained (see table).

RP. Push-button panels with anodized aluminium front panel and buttons, complete with name plate lights and height adjustable contacts to compensate imperfections of the wall. The electric door speaker can be fitted inside the push-button panel.

The unit should be flush-mounted and the microphone should be firmly attached to the front panel to avoid feedback and to obtain the highest audio quality.

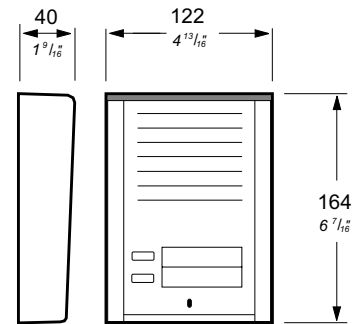
ELECTRIC DOOR SPEAKER (amplifier)

337C. It features a double amplifier (receiver and transmitter); receiver has volume control. It is applicable inside the **RP** or **TM** push-button panels (or in other push-button panels by means of the adaptor art.299). Provided with an electret microphone and tropicalized speaker.

Terminals

- 1 audio receiver
- 2 audio transmitter
- 3 positive power supply 6÷8Vdc -60mA
- 4 ground

AMPLIFIED DOOR STATIONS



RP100. 1-button amplified door station.

It is complete with an amplifier, in both channels, electric door speaker, volume control of the receiving channel, front panel in anodized aluminium, call button, rain shelter and name plate light.

It can be installed on the wall with expansion plugs or on a wall box.

RP200. 2-button amplified door station.

Technical data

- Power supply: 13Vac
- Operating current: 130mA

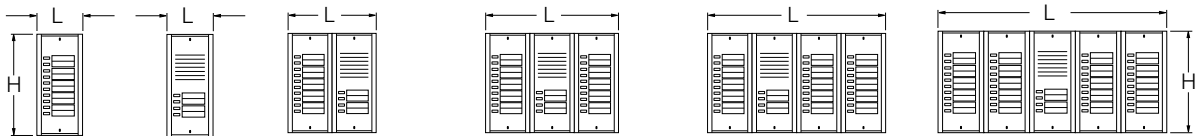
Terminals

- 2 audio receiver
- 1 audio transmitter
- C common contact of call push-buttons
- P1 call push-button
- P2 call push-button
- ground
- ~ alternate voltage input 13Vac

Instructions of the various ErreP/R push-button panel series and their dimensions en mm (and inches)

L and H = Dimensions of the panel

l and h = Dimensions of the back-box



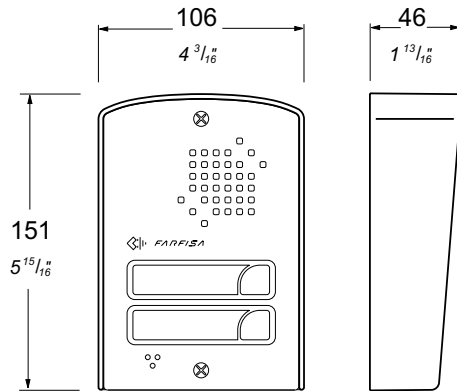
Series	R	RP	R+RP	R+RP+R	R+RP+R+R	R+RP+R+R+R	L	h
H	L							
	112 ($4\frac{7}{16}$ ")							
	224 ($8\frac{13}{16}$ ")							
	336 ($13\frac{1}{4}$ ")							
	448 ($17\frac{5}{8}$ ")							
	560 ($22\frac{1}{16}$ ")							
							L	h
218.5 ($8\frac{5}{8}$ ")	R8	RP1	R8+RP1=9	2R8+RP1=17	3R8+RP1=25	4R8+RP1=33		206.5 ($8\frac{1}{8}$ ")
	R8	RP2	R8+RP2=10	2R8+RP2=18	3R8+RP2=26	4R8+RP2=34		
250 ($9\frac{13}{16}$ ")	R10	RP4	R10+RP4=14	2R10+RP4=24	3R10+RP4=34	4R10+RP4=44		238 ($9\frac{3}{8}$ ")
281.5 ($11\frac{1}{16}$ ")	R12	RP6	R12+RP6=18	2R12+RP6=30	3R12+RP6=42	4R12+RP6=54		269.5 ($10\frac{5}{8}$ ")
313 ($12\frac{5}{16}$ ")	R14	RP8	R14+RP8=22	2R14+RP8=36	3R14+RP8=50	4R14+RP8=64		301 ($11\frac{7}{8}$ ")
H	l							
	103 ($4\frac{1}{16}$ ")							
	215 ($8\frac{7}{16}$ ")							
	327 ($12\frac{7}{8}$ ")							
	439 ($17\frac{5}{16}$ ")							
	551 ($21\frac{11}{16}$ ")							
							l	h



EXTERNAL DOOR STATIONS

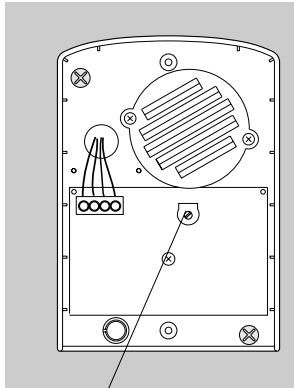
PUSH-BUTTONS UP series

Surface mounted version

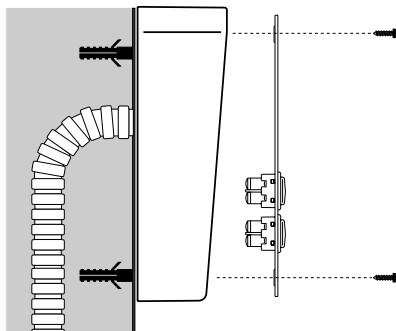


UP 100. Amplified push-button panel with 1 call button.
Fittable in all 4+1 intercom and intercommunicating systems. Complete with electric door speaker amplified in the two channels, volume control of the receiving channel, front panel in anodized aluminium with call button. Wall-mountable with expansion plugs.

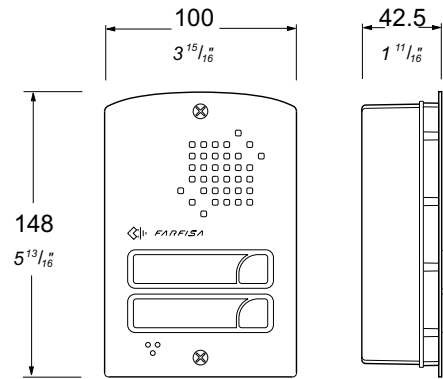
UP 200. Amplified push-button panel with 2 call buttons.



External volume adjustment



Flush mounted version

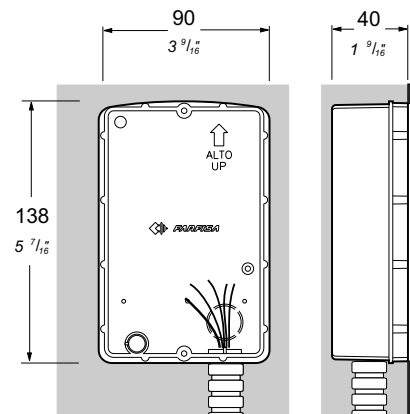


UP 11. Amplified push-button panel with 1 call button.
Fittable in all 4+1 intercom and intercommunicating systems. Complete with electric door speaker amplified in the two channels, volume control of the receiving channel, front panel in anodized aluminium with call button.

To install it you must:

- fix the back box to the wall;
- install the speaker unit;
- make the connections;
- screw the front panel onto the back box.

UP 12. Amplified push-button panel with 2 call buttons.



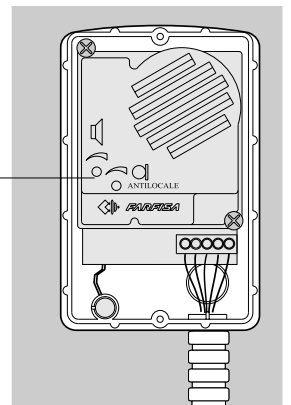
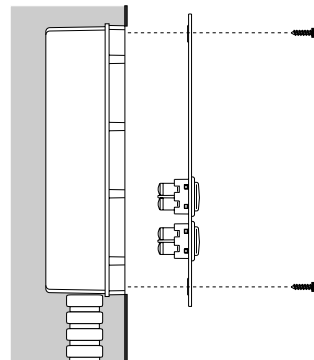
Terminals

- ground
- ~ 13Vac-70mA voltage input
- 1 audio receiver
- 2 audio transmitter

Wires

- C yellow wire connected to call button common.

External volume adjustment



The power supply is not provided with fuses, but it is protected against overloading or short-circuiting by a heat sensor (thermoprotector), to restore power, it is necessary to cut off the mains voltage for about one minute. Reconnect power after having repaired the fault.

Do not obstruct the openings or the ventilation or heat ejection slots to allow the equipment to operate correctly. The power supply can be installed on DIN rail or screwed to the wall.

All the power supplies described in this manual replace the corresponding ones with similar initials. E.g.: **PRS220** replaces **PRS220D**, **PRS220K**, etc. **PRS226** replaces **PRS226D** and **PRS226K**.

All power supplies can provide power for a maximum of **6 24V-3W lamps** for illuminating push-button panel name plates. For more than 6 lamps, **PRS210** transformer should be installed.

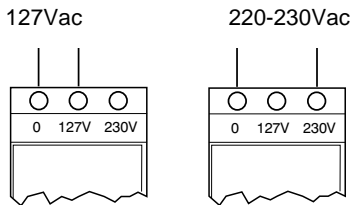
General technical data

Input voltage: 127Vac or 220-230Vac
 Working temperature: 0°±+50°C
 Maximum of humidity: 90%RH

Warning

All power supplies in this manual can work either 127Vac or 220-230Vac.

Check carefully the right connection.

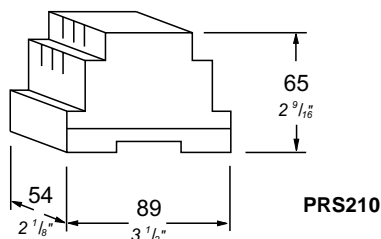


PRS 210. TRANSFORMER.

Used to power 13Vac devices; **MD100, MD200, RP100, RP200, UP** series amplified external door stations, accessories, additional door locks, name plate light, etc.

Technical data

Power: 15VA
 Output voltage: 13Vac
 Maximum load: 0.7A
 Maximum of intermittent load: 1A
 Housing: DIN 3 modules A
 Weight: 0.42 Kg. (0.93lb)
 Approved by: VDE according to the Safety Standard EN60065



PRS 220. STABILIZED POWER SUPPLY.

It is provided to supply 4+1 intercom systems (electric door lock, name plate lamps, electric door-speakers, amplifier, etc.)

Technical data

Power: 15VA
 Housing: DIN 4 modules A
 Weight: 0.45 Kg. (0.99lb)
 Approved by: VDE (according to the Safety Standard EN60065)

Output terminals

- Ground
- + Audio line power supply 6Vdc-0.1A
- ~ Power supply 13Vac for:
 - name plate lamps, exchangers (continuous load 0.6A)
 - electric door lock and bells (intermittent load 1A)

PRS226. STABILIZED POWER SUPPLY/ SWITCHER.

It is able to supply intercommunicating intercom systems and to switch over automatically audio connection of the door station and of the intercommunicating service to the intercoms.

Technical data

Power: 18VA
 Housing: DIN 6 modules A
 Weight: 0.5 Kg. (1.1lb)
 Approved by: VDE (according to the Safety Standard EN60065)

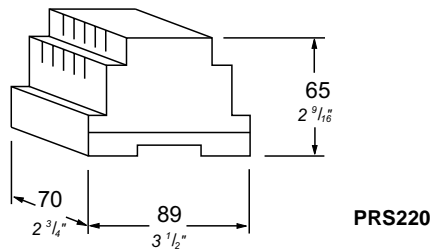
Output terminals

- Ground
- + Audio line power supply 8Vdc-0.1A
- X Power supply for auxiliary services 12Vdc-0.2A
- ~ Power supply 13Vac for:
 - name plate lamps, exchangers (continuous load 0.6A)
 - electric door lock and bells (intermittent load 1A)
- 7 Power supply 13Vac for electric door lock and bells (intermittent load 1A)
- A Output for call from push-button panel 13Vac-0.15A
- G Audio line receiver from intercoms
- 2 Audio line transmitter to intercoms
- D Audio line transmitter to electric door speaker
- C+ Audio line receiver from electric door speaker

PRS226E. STABILIZED POWER SUPPLY/ SWITCHER.

As above, with the following additional terminals and the modification of terminal 7.

- 7 Electronic bell output for intercommunications
- Y Electronic bell output for push-button panel



- 9 Electronic call input for switching over multi-way installations
- 4 Relay switching common terminal controlled from entrance 9
- 4a NC relay switching controlled from entrance 9
- 4b NA relay switching controlled from entrance 9

PRS 240. STABILIZED POWER SUPPLY WITH ELECTRONIC RINGING GENERATOR.

Power supply with modulated electronic ringing generator for calls. It supplies the voltages needed for the correct operation of intercom systems.

Technical data

Power: 18VA
 Ringing frequency: 450Hz modulated
 Housing: DIN 6 modules A
 Weight: 0.5 Kg. (1.1lb)
 Approved by: VDE according to the Safety Standard EN60065

Output terminals

- Ground
- + Audio line power supply 7.2Vdc-0.1A
- X Power supply for aux. services 12Vdc-0.2A
- ~ Power supply 13Vac for:
 - name plate lamps (continuous load 0.6A)
 - electric door lock and bells (intermittent load 1A)
- C+ Modulated electronic call output 12Vpp-0.25A
- 7 Continuous electronic call output 12Vpp-0.25A

PRS 235. POWER SUPPLY FOR SYSTEMS WITH PRIVATE CONVERSATION MODULE.

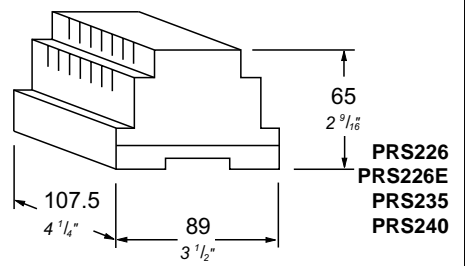
It may be installed with **Project** series intercoms for supplying power to 4+1 systems with private conversation module. Only the intercom which has been called can speak to the door station. All the other users are isolated.

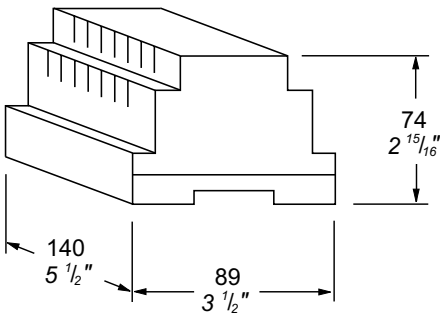
Technical data

Power: 18VA
 Housing: DIN 6 modules A
 Weight: 0.5 Kg. (1.1lb)
 Approved by: VDE according to the Safety Standard EN60065

Output terminals

- Ground
- + Audio line power supply 7.2Vdc-0.1A
- X Power supply for auxiliary services 12Vdc-0.2A
- ~ Power supply 13Vac for:
 - name plate lamps (continuous load 0.6A)
 - electric door lock and bells (intermittent load 1A)
- C+ Power supply for bells 13Vac- 0.15A





1473. 4-CONTACT ANALOG EXCHANGER.

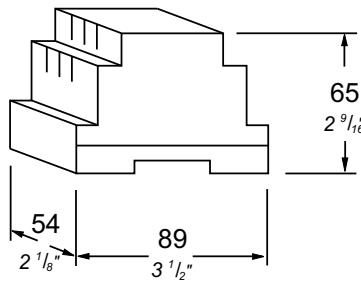
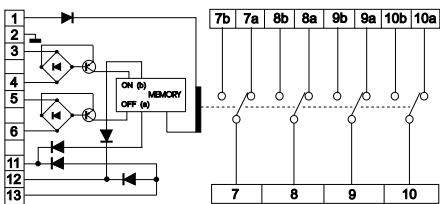
It is installed in intercom systems with two or more entrances for switching the audio lines and door lock of the calling entrance. It can be installed on DIN bar or with two screws. In housing DIN bar 8 modules A. Art. 1473 completely replaces the functions of models 473 and 273.

Technical data

Power supply: 13Vac; 15÷21Vdc
 Current consumption: 0.1A
 Number of exchanges: 4
 Max. switching current: 5A (50V)
 Housing: DIN 8 modules A
 Operating temperature: 0° ÷ 50°C
 Maximum permissible humidity: 90% RH

Terminals

- 1 Power supply 13Vac-0.1A
- 2 Ground
- 3 and 4 Driver to switch the relay to "b" position - ON position
- 5 and 6 Driver to switch the relay to "a" position - OFF position
- 7, 8, 9 and 10 Common contact of relays
- 7a, 8a, 9a and 10a OFF position of the relay contacts
- 7b, 8b, 9b and 10b ON position of the relay contacts
- 11 Ground command to switch the relay to "a" position - OFF position
- 12 Ground command to switch the relay to "b" position - ON position
- 13 Electronic call input from PRS240



1471. RELAY UNIT

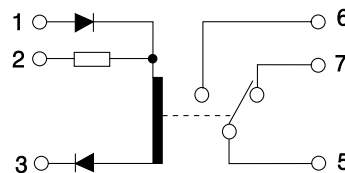
A low voltage, low current (DC/AC) unit, it can switch voltages up to 50V and 5A max. Used for auxiliary services (e.g. stair lights, call for 4 or more bells, door release etc). It can be installed on DIN bar or with two screws. In housing DIN bar 3 modules A.

Technical data

Power supply: 13Vac; 12÷24Vdc
 Current consumption: 0.05A
 Number of exchanges: 1
 Switching current: 5A (50V)
 Housing: DIN 3 modules A
 Operating temperature: 0° ÷ 50°C
 Maximum permissible humidity: 90% RH

Terminals

- 1 Alternate current input 13Vac-dc
- 2 Continuous current input 21Vdc
- 3 Negative half-wave input or ground
- 5 Common contact of relay
- 6 Normally open contact of relay
- 7 Normally closed contact of relay

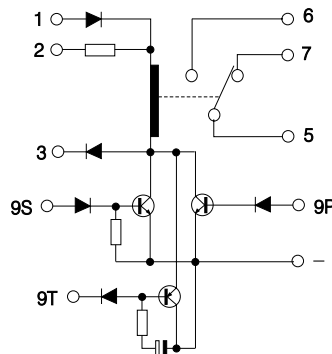


1471E. RELAY UNIT

Same as 1471, but with 9S, 9T and 9P input terminals. In housing DIN bar 4 modules A.

Terminals

- In addition to terminals of art. 1471 you find:
- 9P Electronic call input without resistive load
 - 9S Electronic call input with resistive load
 - 9T Electronic call input timed operation (1 sec.)
 - Ground



1472. 2-CONTACT RELAY UNIT

Same as 1471, but with 2 relays and 9S input terminal.

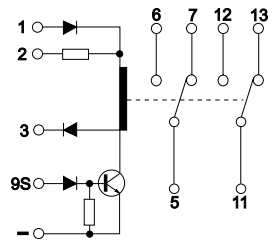
Technical data

Power supply: 13Vac; 12÷24Vdc
 Current consumption: 0.05A
 Number of exchanges: 2
 Switching current: 1A (24V)
 Housing: DIN 4 modules A
 Operating temperature: 0° ÷ 50°C
 Maximum permissible humidity: 90% RH

Terminals

In addition to terminals of art. 1471 you find:

- 11 Common contact of relay 2
- 12 Normally open contact of relay 2
- 13 Normally closed contact of relay 2
- 9S Electronic call input with resistive load
- Ground



INSTALLATION INSTRUCTIONS

General characteristics

- **The cable runs** of intercom and video intercom installations must be kept separate from the mains or any other electrical installation as required by the **International Safety Standards** and the entire installation must be realized in compliance with the safety rules in force in any specific Country.
- It is necessary to provide a disconnecting and safety switch before the power supply. Use a single general switch in case of several power supplies (also in multiple entrance).
- Before connecting the power supply make sure that its rating data corresponds to this of the mains.
- For electromagnetic reasons, all service modules must be installed near their power supply.

Wires

- 1) For the correct operation of the intercom system you must choose the correct type of cable.
- 2) Wires must be dimensioned according to the distance of the different devices and their current consumption.
- 3) Do not connect wires in parallel to reach the required cross-section (for example multi-pair telephone cables). Only use a single wire with suitable cross-section. When using multi-core cables you must select them with low parasite parameters (low capacitance per metre, low inductance over Ohm).
- 4) If the installation includes additional power supplies you must place them near the device to be powered.

Background noise

To avoid possible background noise over the speech line, it is advisable:

- 5) not to lay intercom or telephone cables in the same runaway as the wires used to power alternate current loads;
- 6) to avoid using the same multi-core cable to transmit audio signals and alternate current power supplies (lamps, amplified external door stations, electrical door locks). Always use separate wires for alternate current power supplies;
- 7) not to connect name-plate lamps (or other devices powered with alternate current) to terminal 4 (-) of the speaker unit; 2 wires must originate from terminal - (minus sign) of the power supply, one for terminal 4 of the speaker unit and one for the lamps (or other devices powered with alternate current);
- 8) for name-plate lamps, to use an additional 12Vac transformer (PRS210 type) with suitable power (consumption is 75mA for each lamp) with 2 power supply wires separate from audio wires;
- 9) in case of long distances between the external door station and the last intercom, to place the power supply near the external door station and use a relay for the electric door lock in order to avoid alternate current induction along the riser (see diagrams of lateral column).

WIRE CROSS-SECTION

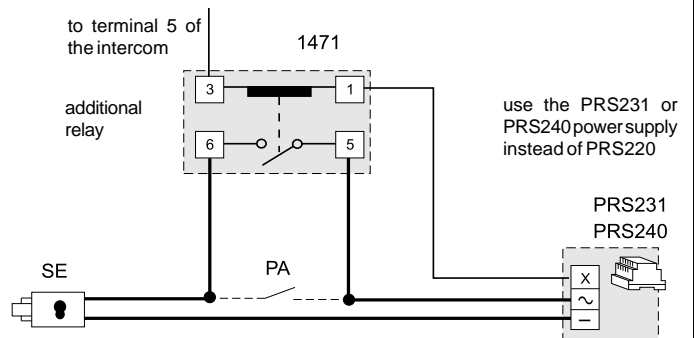
Distance ----- m.	Audio and calls - - - -			Door lock and ground (*) - - - -		
	mm ² S	mm Ø	AWG	mm ² S	mm Ø	AWG
50	0.35	0.7	21	0.75	1	18
100	0.35	0.7	21	1	1.2	16
200	0.5	0.8	20	2	1.4	14
300	0.75	1	18	2.5	1.6	13
400	1	1.2	16	-	-	-

(*) Wires in **bold face type**.

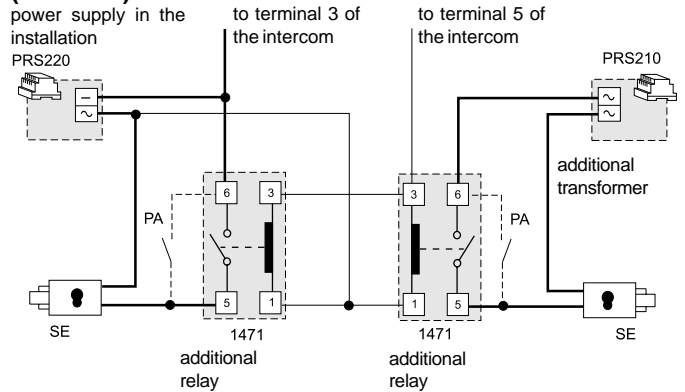
ELECTRIC DOOR LOCK ACTIVATION

In case of long distances or if you want to control several door locks at the same time, install a relay as shown in the following installation diagrams.

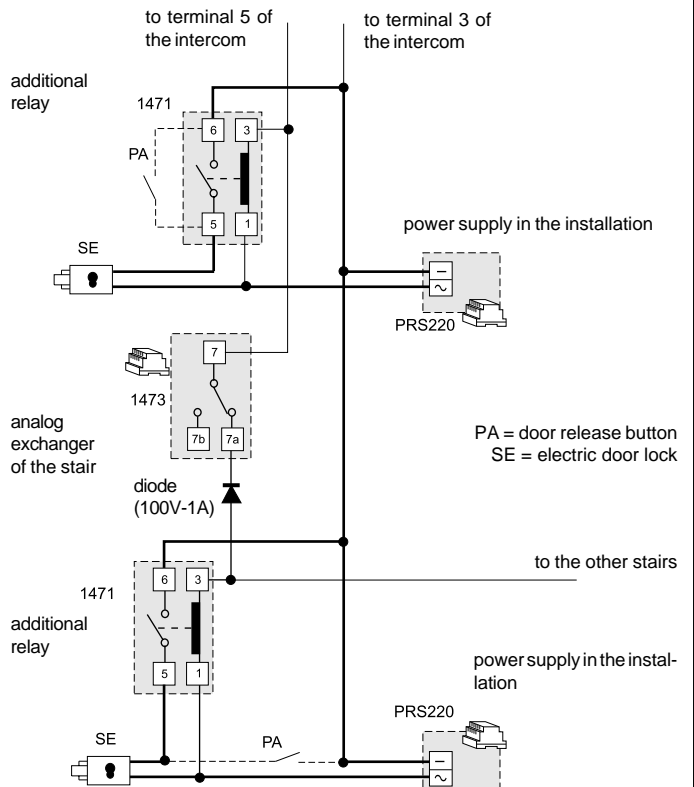
Electric door lock activation by means of an additional relay



Connection of 2 door locks with simultaneous opening (Si12MO/1).



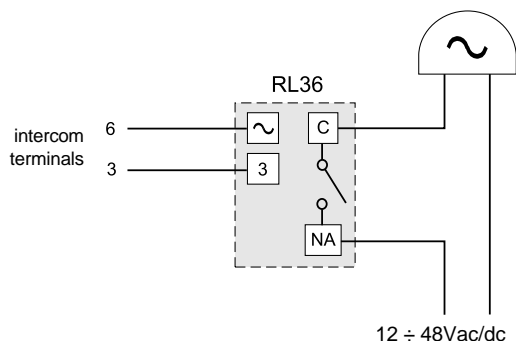
Connection of 2 door locks, one of which always activable, in a system with multiple entrance (Si16MO/1; Si16MO/2).



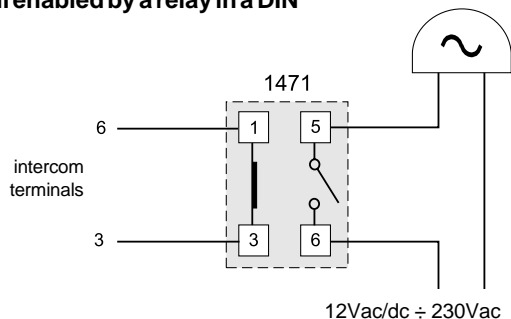
ADDITIONAL BELL

If the ringing volume is not sufficient or if you need to chime the call in a different place, you can add an additional bell enabled by a relay.

Additional bell enabled by a relay to be installed inside the intercom

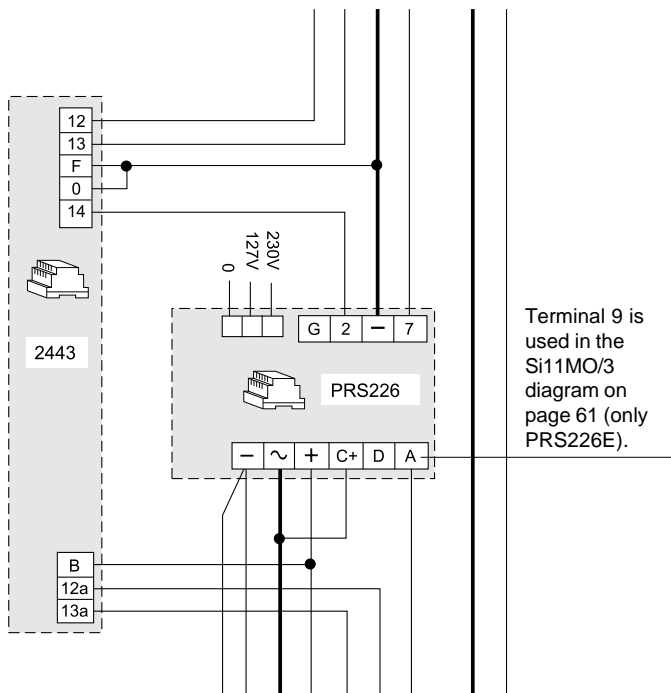


Additional bell enabled by a relay in a DIN housing



ADDITIONAL AUDIO AMPLIFIER

In intercommunicating systems with long distances between intercoms and power supply, to increase the intercommunication audio level, it is advisable to install an amplifier art. **2443** (see page 90 for characteristics). The following diagram can be applied to all intercommunicating systems (from page 47 to page 61).



Basic systems

For all the intercom systems, simply lift the handset to speak to the door station. The call is indicated by an audio signal (a buzzer or an electronic bell).

To activate the door release, press the push-button with the key symbol. In systems with two or more entrances the communication and door release are switched automatically on the entrance from which the call is made while the other entrances are isolated.

Systems with private conversation module

In all standard intercom systems (not intercommunicating) a private audio system can be provided (only the intercom which has been called can speak to the door station) by installing the "private conversation module" art. **SM50** in every intercom.

Since the buzzer rings, the user has about 30 seconds to lift handset and answer. There is no time limit for the private conversation. When the handset is replaced the system returns to the rest condition. If a user does not replace the handset properly, the next call from another intercom, automatically cuts him out of the audio connection with the door station.

Intercommunicating systems

Intercommunicating systems allow users to speak to one another by simply lifting the handset; any user can join in to a conversation already in progress. To avoid interferences it is necessary to observe the following instructions.

Lift the handset, make sure that there is not a conversation already in progress, then press the call push-button corresponding to the desired user.

Intercommunicating systems connected to door station

Such systems allow conversation between two or more inside users with the exclusion of the door station, or between one inside user and the door station.

When there is a call from an external push-button panel the audio line of the electric door speaker is activated automatically; when one calls from one of the intercoms, the internal intercommunicating audio line is automatically activated.

The user called has simply to lift the handset.

Any user can join in to a conversation already in progress.

To avoid interferences it is necessary to observe the following instructions:

- lift the handset, make sure that there is not a conversation already in progress, then press the call push-button corresponding to the desired user.

As it is shown in the connection diagram, internal calls have a sound (electronic) distinct from external calls (buzzer).

To activate the electric lock it is necessary to push the push-button with a key symbol on. By performing this operation the system returns to the intercommunicating service with the audio exclusion of the door station.



PRELIMINARY CHECKS

- Check for the presence of the mains voltage in the terminals 230Vac (or 127Vac) of the power supply.
 - The power supply is not provided with fuses, but it is protected against overloading or short-circuiting by a heat sensor (thermoprotector),

to restore power, it is necessary to cut off the mains voltage for about one minute. Reconnect power after having repaired the fault.
 - Check the voltage output of the power supply (see in detail the values indicated in the power supply chapter).

- Check that the cross section of the cables corresponds to what is indicated on page 26 and in the descriptions of each individual diagram.

FAULT AND PROBABLE DAMAGE

Nothing at all is working

Absence of main voltage. Short-circuit or overload of the terminals of the power supply output. Faulty power supply.

The lock does not work

Faulty lock. The cross section of the cables indicated in bold type is insufficient. A connecting cable to the lock has been interrupted. Faulty power supply.

Calls from the door station do not activate

The common connection of the push-buttons on the push-button panel has been interrupted.

A call to an individual intercom does not activate

The connecting wire from the door station to the intercom has been interrupted. The intercom buzzer is faulty or badly set. In intercoms with electronic call check that the handset is hung up correctly.

No sound from either channel

Absence of power between **3 (+)** and **4 (-)** of the electric door-speaker (6-8Vdc). Short-circuit between **+** and **-** of the power supply. Faulty power supply.

No sound from the intercoms to door station

Connection **1** from the intercoms to the electric door-speaker has been interrupted or short-circuited. There is no ground connection to terminal **4** of the electric door-speaker (amplifier). Faulty electric door-speaker (amplifier).

No sound from the door station to the intercoms

Connection **2** from the intercoms to the electric door-speaker (amplifier) has been interrupted or short-circuited. Faulty electric door-speaker (amplifier).

Audio with humming in the background (50/60Hz)

The wires have been canalized together with the cables that power AC loads. Wrong connections or under dimensioned cross-section of wires (see recommendation and table on page 26). Faulty power supply.

At the door station a whistle is heard (Larsen effect)

The electric door-speaker (amplifier) is badly housed in the push-button panel; the microphone has to be stuck to plate. Lower the volume.

Radio reception on the door station

The defect can occur when there is a transmitter working in the proximity. Apply a condenser from 0.1 μ F between terminals **1** and **3** of the electric door speaker (amplifier).

INTERCOMMUNICATING SYSTEMS

No sound in either channel. Intercommunicating phone not working

Short-circuit between **+** and **-** of the power supply. Faulty power supply.

Calls from the door station activate. No sounds in either channel. Intercommunicating phone is working

No power supply between **3 (+)** and **4 (-)** of the electric door-speaker (8Vdc). Faulty power supply.

No sounds from the intercoms to the door station

The connection between **1** of the intercoms and **G** of the power supply has been interrupted. The connection between **D** of the power supply and **1** of the electric door-speaker (amplifier) has been interrupted. Faulty electric door-speaker (amplifier). Faulty power supply.

No sounds from the door station to the intercoms

The connection between **2** of the intercoms and **2** of the power supply has been interrupted. The connection between **C+** of the power supply and **2** of the electric door-speaker (amplifier) has been interrupted. Faulty electric door-speaker (amplifier). Faulty power supply.

The intercommunicating calls activate, but the door station is still on

Check that cable **7** is connected to **7** of the power supply and not to terminal \sim . Faulty power supply.

The intercommunicating calls do not activate

Check that cable **7** is connected to **7** of the power supply. Faulty power supply.

No sound in the intercommunicating service

Faulty power supply.

SYSTEM WITH MORE ENTRANCES

Entrance A is never activated

Short-circuit between **5** and **6** of the exchanger. Faulty exchanger.

Entrance B is never activated

Short-circuit between **3** and **4** of the exchanger. Faulty exchanger. No power supply to **1** and **2** of the exchanger (13Vac).



INSTALLATION DIAGRAMS

The following pages show the installation diagrams that are most commonly used in intercom systems. Upon request ACI Farfisa can supply installation diagrams for configurations that are not included in this manual.

- **Systems with 1 or more main entrances**
- **Systems with 1 or more main entrances and secondary door stations**
- **Systems with private conversation**
- **Intercommunicating systems without external door station**
- **Intercommunicating systems with 1 or more main entrances**
- **Intercommunicating systems with 1 or more main entrances and secondary door stations**
- **Systems with floor-call**
- **Systems with intercommunicating service between intercoms in individual flats**

For a clearer understanding of the diagrams, **the sequence of terminals in each individual article has not been followed**. Only the terminal code (letter and/or number) is valid, not the graphic sequence.
Terminals with the same letter or number have the same functions.

The items may have more terminals than the ones shown in the installation diagrams. **The excess terminals must not be connected.**

- **The intercommunicating installation diagrams** connected to 1 or more door stations allow for the use of 5 intercommunicating intercoms (see diagrams from page 47 to 61). If a different number is required, the installation diagrams on pages 62÷70 should be looked at, paying attention to the type of installation (single or common call from door station). The installation diagram to use (2, 3, 4, 6 or 7 intercoms) should be also copied and placed over the 5-intercom basic diagram.

Example: copying the installation diagram of 4 intercommunicating intercoms on page 66 and placing it to the installation diagram on page 53 (Si 121L/5M), aligning the 6 cables at the riser, will produce a system of 4 intercommunicating intercoms connected to 2 external door stations with common call and electronic ringing for internal calls.

- **The “telecommunication” section** contains only some intercom-telephone (pages 173÷175); many of the installation diagrams contained in the intercom sections can be however used, following the indications on page 170.



INTERCOMS CONNECTED TO 1 EXTERNAL DOOR STATION.

Q.ty	Article	Description
...	PT 510 *	Project series intercom with 1 call button
1	PRS220	Power supply
1	PA **	Door release push-button (optional)
1	SE **	Electric door lock (12VAC-1A)

Door station series Mody (for items selection refer to pages 12÷15)

	1 row	2 row	
...	MD71÷74	MD71÷74	Module frames with back box
1	MD10-11-12	MD10-122-124	Modules for electric door speaker
...	MD21 ÷ 24	MD222 ÷ 228	Button modules
...	MD20 - 50	MD20 - 50	Blank and info modules
1	MD82 ÷ 812	MD82 ÷ 812	Hood covers
1	MD92 ÷ 912 (²)	MD92 ÷ 912 (²)	Rain shelters with module frames
1	MD30	MD30	Electric door speaker (amplifier)

Door station series Matrix (for items selection refer to pages 20 and 21)

...	MA71÷73	Module frames with back box
1	MA10P-11P-12P	Modules with integrated audio amplifier
...	MA20-22-24	Blank and button modules
...	MA61÷63	Front frames

... Refers to number of users.

* Besides the mentioned model all the intercoms from the **Project, PuntoVirgola, 900** and **700** can be installed.

** Articles not supplied by ACI Farfisa.

(²) Rain shelters are used instead of back boxes and hood covers.

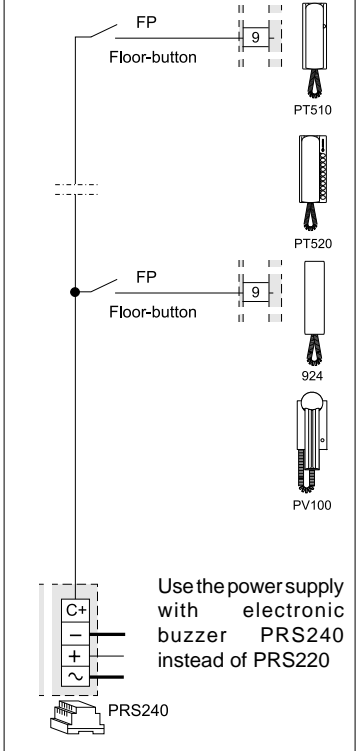
Working instructions. See page 27.

Notes

- For the connection of name-plate lamps, read notes 6, 7 and 8 of the installation instructions on page 26.
- For wires dimensioning refer to the installation recommendations and table on page 26.
- Telephones can be used instead of intercoms (see "telecommunication" section).
- For other types of push-button panels see pages 22 and 23 or the general catalogue.

Floor call

This work diagram allows for differentiating the floor-call from the call from the push-button panel.

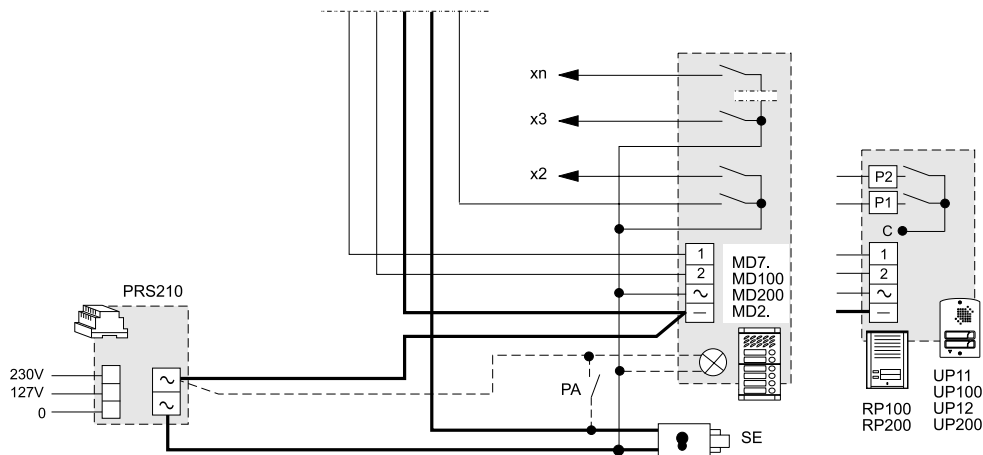


Application diagram

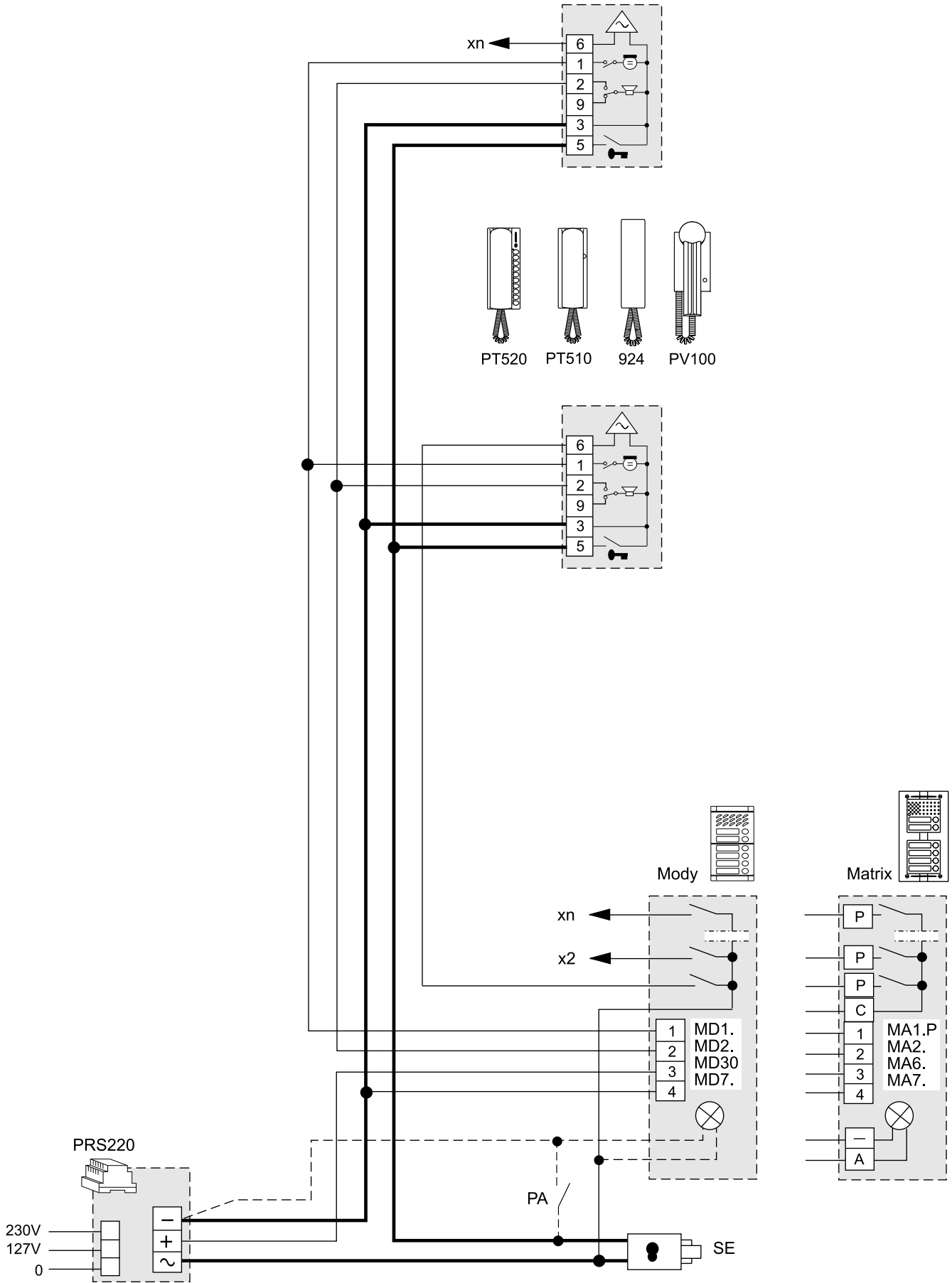
When using **MD100, MD200, RP100, RP200** and **UP** amplified external door stations, place this diagram on the diagram on page 31 and line it up with the riser. One or two-way systems can be realized with **RP** and **UP** series. As regards the **Mody** series, multi-family systems can be realized by adding the required quantity of button modules.

Warning.

- For alternate current wires refer to note 6 of the installation instructions on page 26.



INTERCOMS CONNECTED TO 1 EXTERNAL DOOR STATION



INTERCOMMS WITH PRIVATE CONVERSATION CONNECTED TO 1 EXTERNAL DOOR STATION.

Q.ty	Article	Description
...	PT 510 *	Project series intercom with 1 call button
...	SM 50	Private conversation module
1	PRS235	Power supply
1	PA **	Door release push-button (optional)
1	SE **	Electric door lock (12VAC-1A)

Door station series Mody (for items selection refer to pages 12÷15)

	1 row	2 row	
...	MD71÷74	MD71÷74	Module frames with back box
1	MD10-11-12	MD10-122-124	Modules for electric door speaker
...	MD21 ÷ 24	MD222 ÷ 228	Button modules
...	MD20 - 50	MD20 - 50	Blank and info modules
1	MD82 ÷ 812	MD82 ÷ 812	Hood covers
1	MD92 ÷ 912 (²)	MD92 ÷ 912 (²)	Rain shelters with module frames
1	MD30	MD30	Electric door speaker (amplifier)

Door station series Matrix (for items selection refer to pages 20 and 21)

...	MA71÷73	Module frames with back box
1	MA10P-11P-12P	Modules with integrated audio amplifier
...	MA20-22-24	Blank and button modules
...	MA61÷63	Front frames

... Refers to number of users.

* Besides the mentioned model all the intercoms from the **Project, PuntoVirgola, 900** and **700** can be installed.

** Articles not supplied by ACI Farfisa.

(²) Rain shelters are used instead of back boxes and hood covers.

Working instructions. See page 27.

Notes

- For the connection of name-plate lamps, read notes 6, 7 and 8 of the installation instructions on page 26.
- For wires dimensioning refer to the installation recommendations and table on page 26.
- Telephones can be used instead of intercoms (see "telecommunication" section).
- For other types of push-button panels see pages 22 and 23 or the general catalogue.

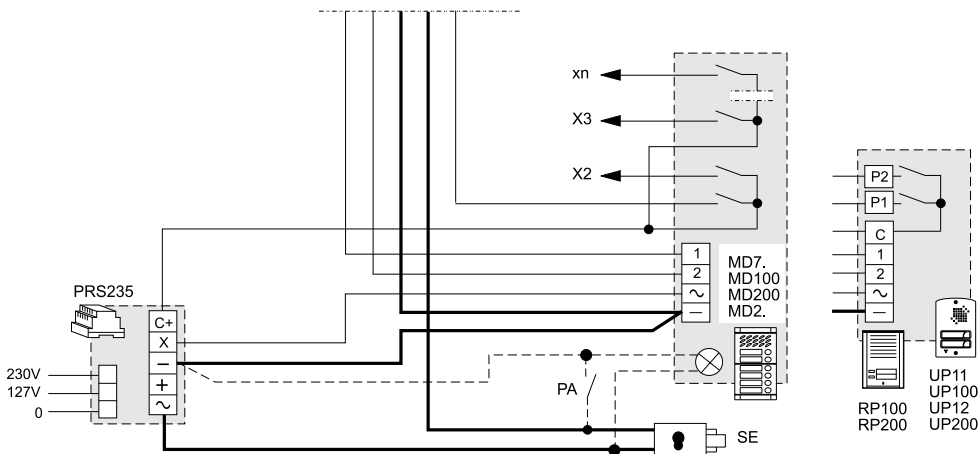
Application diagram

When using **MD100, MD200, RP100, RP200** and **UP** amplified external door stations, place this diagram on the diagram on page 33 and line it up with the riser.

One or two-way systems can be realized with **RP** and **UP** series. As regards the **Mody** series, multi-family systems can be realized by adding the required quantity of button modules.

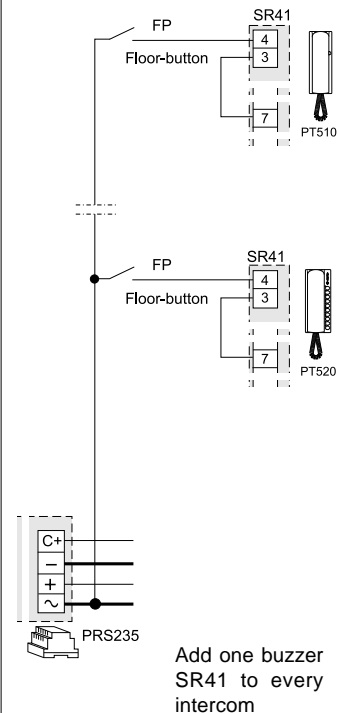
Warning.

- For alternate current wires refer to note 6 of the installation instructions on page 26.

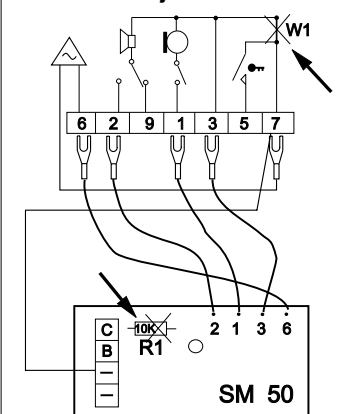


Floor call

This work diagram allows for differentiating the floor-call from the call from the push-button panel.



Intercoms Project series



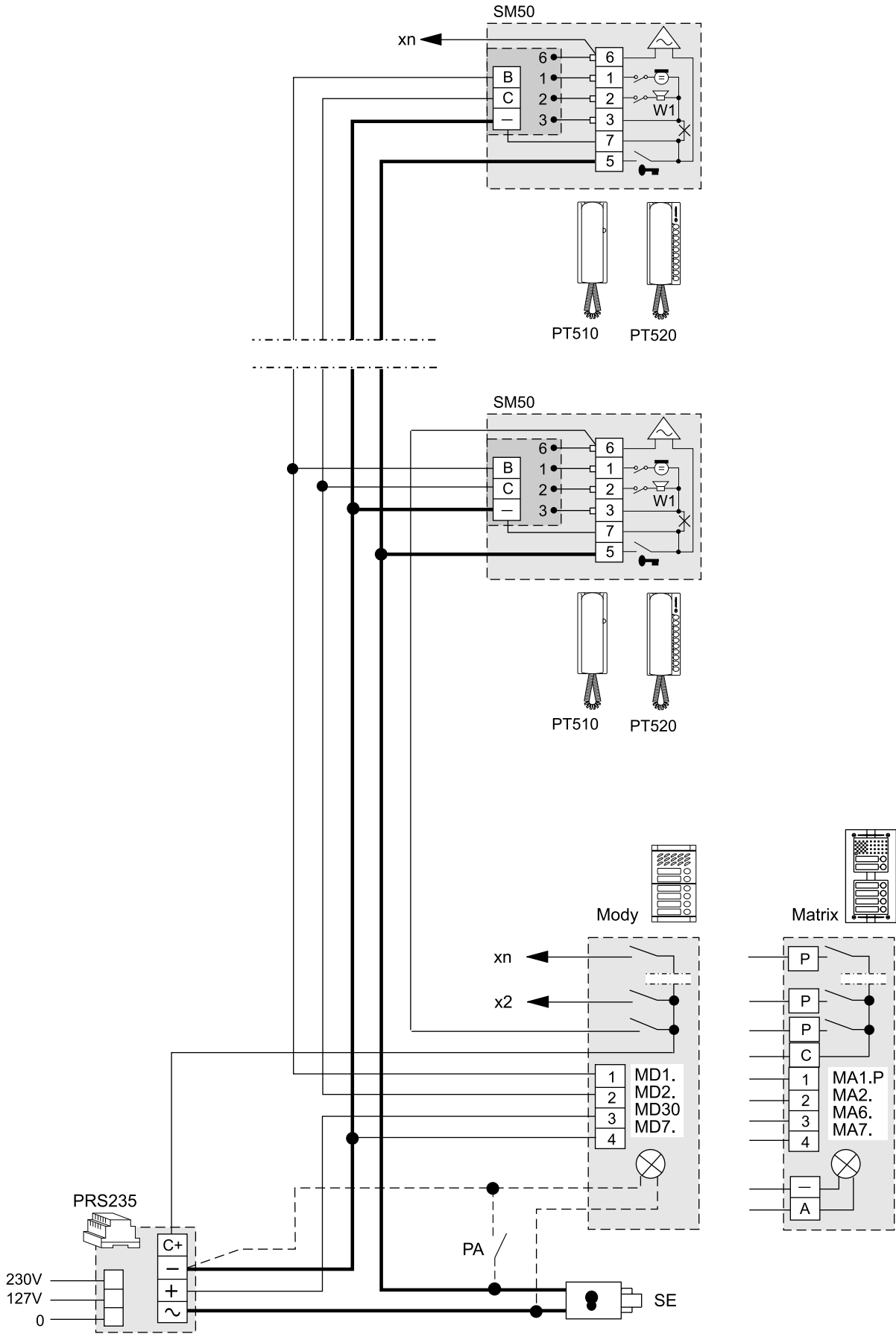
In each intercom it is necessary:

- to cut the jumper (**W1**) that links the terminals 3 and 7;
- to move the connection of the buzzer from terminal 3 to 7;
- to activate the connection between terminal 7 of the intercom and the - (minus) of the private conversation module.

In all private conversation modules cut the resistance **R1**.



INTERCOMS WITH PRIVATE CONVERSATION CONNECTED TO 1 EXTERNAL DOOR STATION



INTERCOMMS CONNECTED TO 2 AUTOMATICALLY SWITCHED EXTERNAL DOOR STATIONS.

Q.ty	Article	Description
...	PT 510 *	Project series intercom with 1 call button
1	PRS220	Power supply
1	1473	Exchanger
2	PA **	Door release push-button (optional)
2	SE **	Electric door lock (12VAC-1A)

Door station series Mody (for items selection refer to pages 12÷15)

	1 row	2 row	
...	MD71÷74	MD71÷74	Module frames with back box
2	MD10-11-12	MD10-122-124	Modules for electric door speaker
...	MD21 ÷ 24	MD222 ÷ 228	Button modules
...	MD20 - 50	MD20 - 50	Blank and info modules
2	MD82 ÷ 812	MD82 ÷ 812	Hood covers
2	MD92 ÷ 912 (²)	MD92 ÷ 912 (²)	Rain shelters with module frames
2	MD30	MD30	Electric door speaker (amplifier)

Door station series Matrix (for items selection refer to pages 20 and 21)

...	MA71÷73	Module frames with back box
2	MA10P-11P-12P	Modules with integrated audio amplifier
...	MA20-22-24	Blank and button modules
...	MA61÷63	Front frames

... Refers to number of users.

* Besides the mentioned model all the intercomms from the **Project, PuntoVirgola, 900** and **700** can be installed.

** Articles not supplied by ACI Farfisa.

(²) Rain shelters are used instead of back boxes and hood covers.

Working instructions.

As the basic system described on page 27, with the following variations:

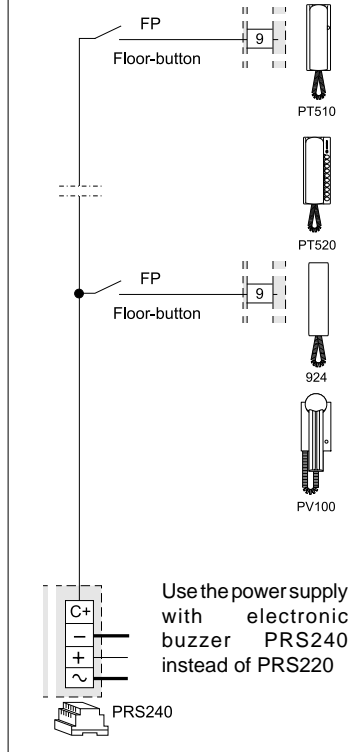
- The audio functions and door lock opening are automatically switched to the door station which has made the call and remain in this state until a call from another entrance is received.

Notes

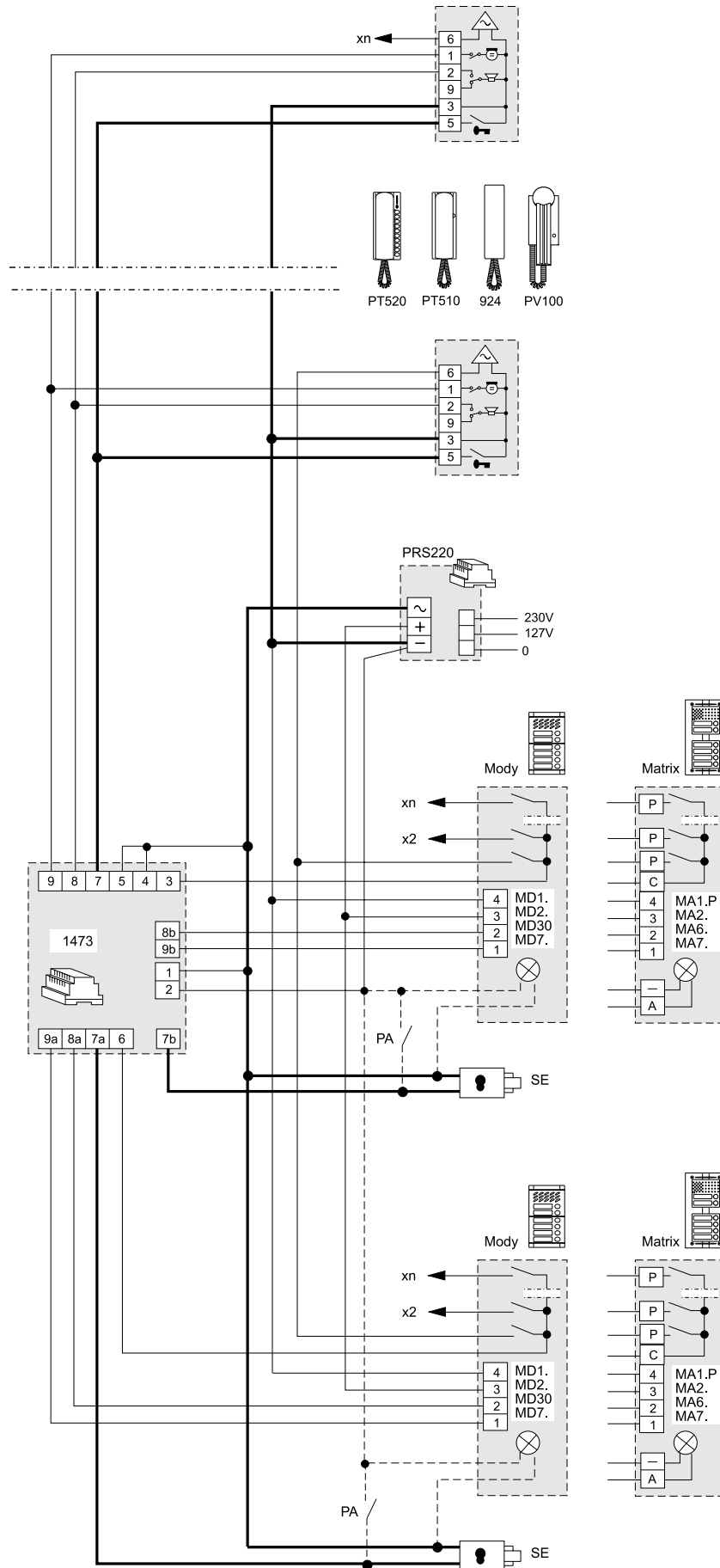
- For the connection of name-plate lamps, read notes 6, 7 and 8 of the installation instructions on page 26.
- For wires dimensioning refer to the installation recommendations and table on page 26.
- Telephones can be used instead of intercomms (see "telecommunication" section).
- For other types of push-button panels see pages 22 and 23 or the general catalogue.

Floor call

This work diagram allows for differentiating the floor-call from the call from the push-button panel.



INTERCOMS CONNECTED TO 2 AUTOMATICALLY SWITCHED EXTERNAL DOOR STATIONS



INTERCOMMS CONNECTED TO 3 AUTOMATICALLY SWITCHED EXTERNAL DOOR STATIONS.

Q.ty	Article	Description
...	PT 510 *	Project series intercom with 1 call button
1	PRS220	Power supply
2	1473	Exchanger
3	PA **	Door release push-button (optional)
3	SE **	Electric door lock (12VAC-1A)

Door station series Mody (for items selection refer to pages 12÷15)

	1 row	2 row	
...	MD71÷74	MD71÷74	Module frames with back box
3	MD10-11-12	MD10-122-124	Modules for electric door speaker
...	MD21 ÷ 24	MD222 ÷ 228	Button modules
...	MD20 - 50	MD20 - 50	Blank and info modules
3	MD82 ÷ 812	MD82 ÷ 812	Hood covers
3	MD92 ÷ 912 (²)	MD92 ÷ 912 (²)	Rain shelters with module frames
3	MD30	MD30	Electric door speaker (amplifier)

Door station series Matrix (for items selection refer to pages 20 and 21)

...	MA71÷73	Module frames with back box
3	MA10P-11P-12P	Modules with integrated audio amplifier
...	MA20-22-24	Blank and button modules
...	MA61÷63	Front frames

... Refers to number of users.

* Besides the mentioned model all the intercoms from the **Project, PuntoVirgola, 900** and **700** can be installed.

** Articles not supplied by ACI Farfisa.

(²) Rain shelters are used instead of back boxes and hood covers.

Working instructions.

As the basic system described on page 27, with the following variations:

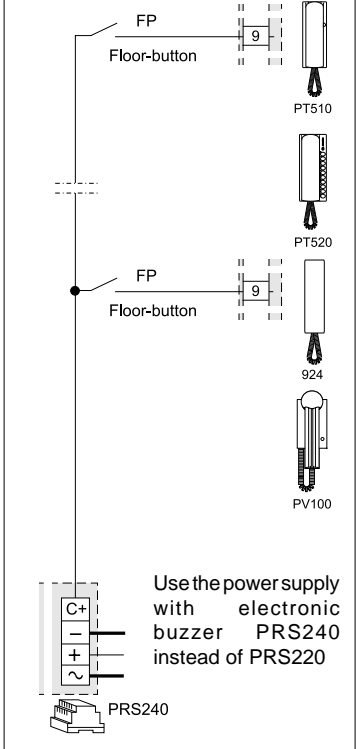
- The audio functions and door lock opening are automatically switched to the door station which has made the call and remain in this state until a call from another entrance is received.

Notes

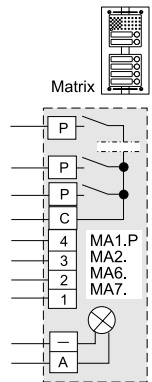
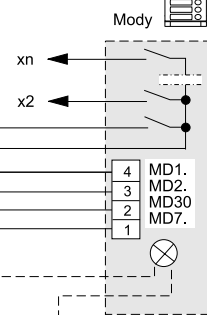
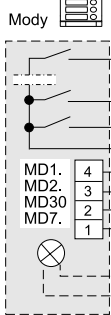
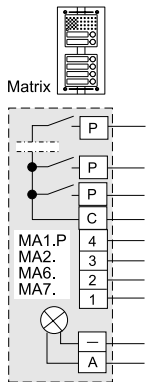
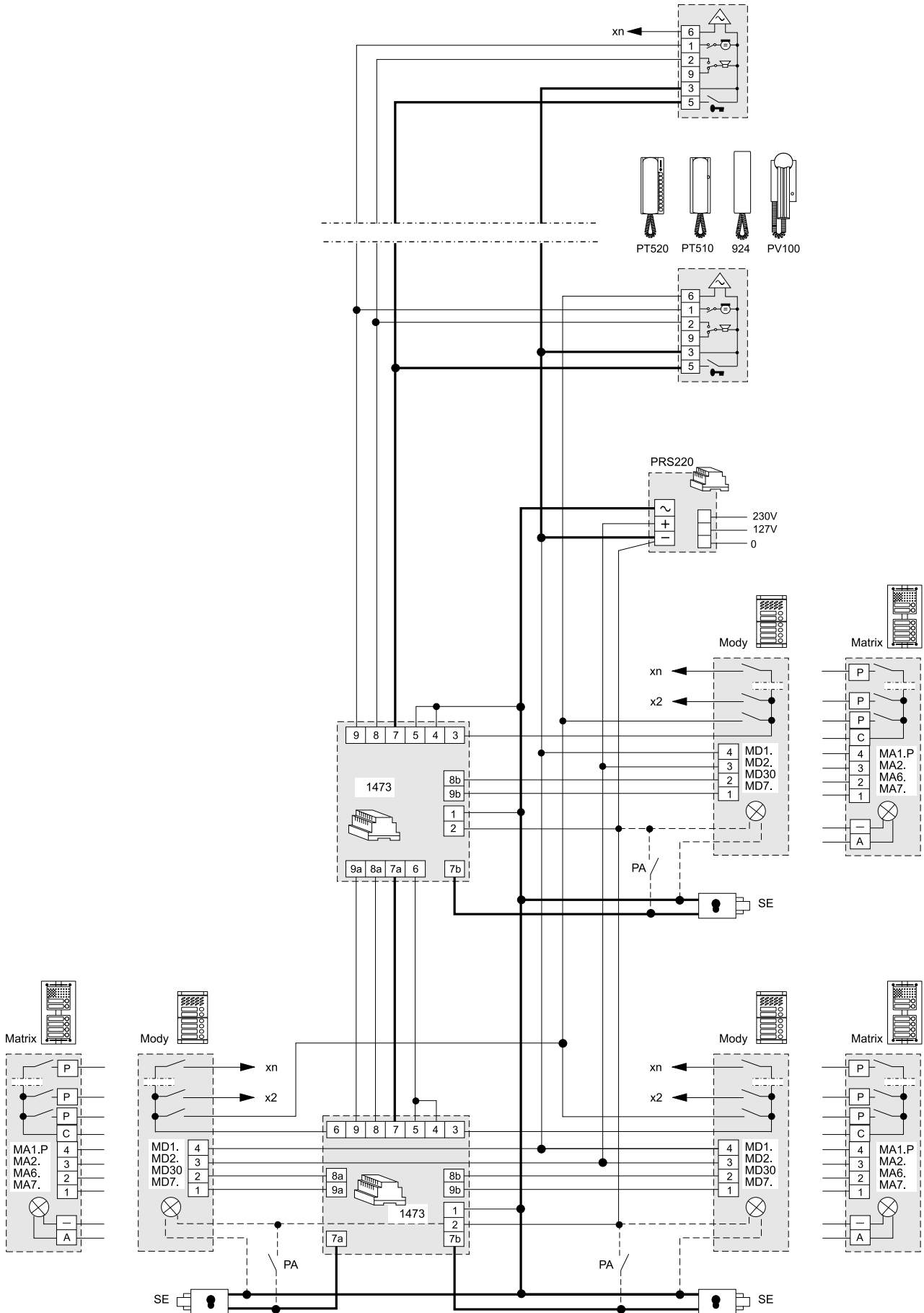
- For the connection of name-plate lamps, read notes 6, 7 and 8 of the installation instructions on page 26.
- For wires dimensioning refer to the installation recommendations and table on page 26.
- Telephones can be used instead of intercoms (see "telecommunication" section).
- For other types of push-button panels see pages 22 and 23 or the general catalogue.

Floor call

This work diagram allows for differentiating the floor-call from the call from the push-button panel.



INTERCOMS CONNECTED TO 3 AUTOMATICALLY SWITCHED EXTERNAL DOOR STATIONS



INTERCOM SYSTEM WITH SECONDARY DOOR STATIONS AND 1 MAIN COMMON STATION (multiple entrance)

Q.ty	Article	Description
...	PT 510 *	Project series intercom with 1 call button
1+X	PRS220	Power supply
X	1473	Exchanger
1+X	PA **	Door release push-button (optional)
1+X	SE **	Electric door lock (12VAC-1A)

Door station series Mody (for items selection refer to pages 12÷15)

	1 row	2 row	Description
...	MD71÷74	MD71÷74	Module frames with back box
1+X	MD10-11-12	MD10-122-124	Modules for electric door speaker
...	MD21 ÷ 24	MD222 ÷ 228	Button modules
...	MD20 - 50	MD20 - 50	Blank and info modules
1+X	MD82 ÷ 812	MD82 ÷ 812	Hood covers
1+X	MD92 ÷ 912 (²)	MD92 ÷ 912 (²)	Rain shelters with module frames
1+X	MD30	MD30	Electric door speaker (amplifier)

Door station series Matrix (for items selection refer to pages 20 and 21)

...	MA71÷73	Module frames with back box
1+X	MA10P-11P-12P	Modules with integrated audio amplifier
...	MA20-22-24	Blank and button modules
...	MA61÷63	Front frames

... Refers to number of users.

X Refers to number of secondary door stations.

* Besides the mentioned model all the intercoms from the **Project, PuntoVirgola, 900** and **700** can be installed.

** Articles not supplied by ACI Farfisa.

(²) Rain shelters are used instead of back boxes and hood covers.

Working instructions.

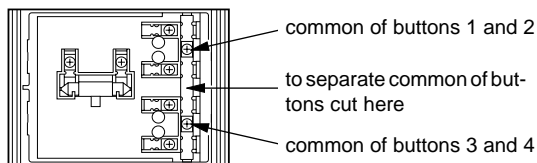
As the basic system described on page 27, with the following variations:

- The audio functions and door lock opening are automatically switched to the door station which has made the call and remain in this state until a call from another entrance is received.
- Services to secondary door stations are independent and can be operated at the same time.

Notes

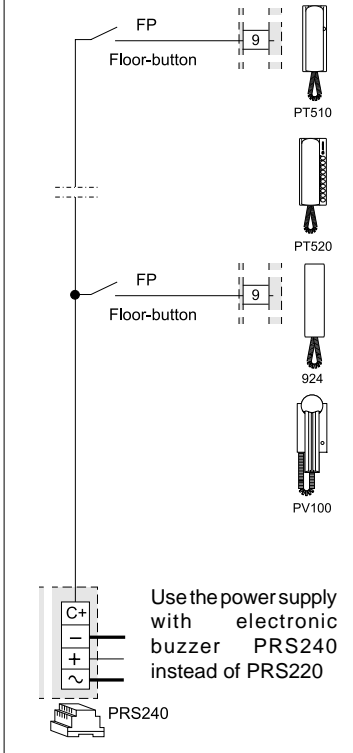
- You can also use **Prestige** and **TM** push-button panels. For the latter series you must request the version with separate common terminals.
- For the connection of name-plate lamps, read notes 6, 7 and 8 of the installation instructions on page 26.
- For wires dimensioning refer to the installation recommendations and table on page 26.
- Telephones can be used instead of intercoms (see "telecommunication" section).
- For other types of push-button panels see pages 22 and 23 or the general catalogue.

The main entrance push-button panel must have separate common terminals. One common terminal for each secondary door station. Buttons of the Mody series can be divided into 2-button groups.



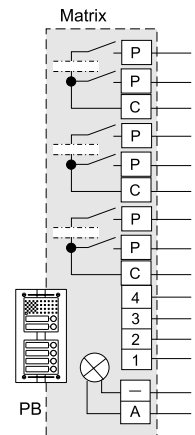
Floor call

This work diagram allows for differentiating the floor-call from the call from the push-button panel.

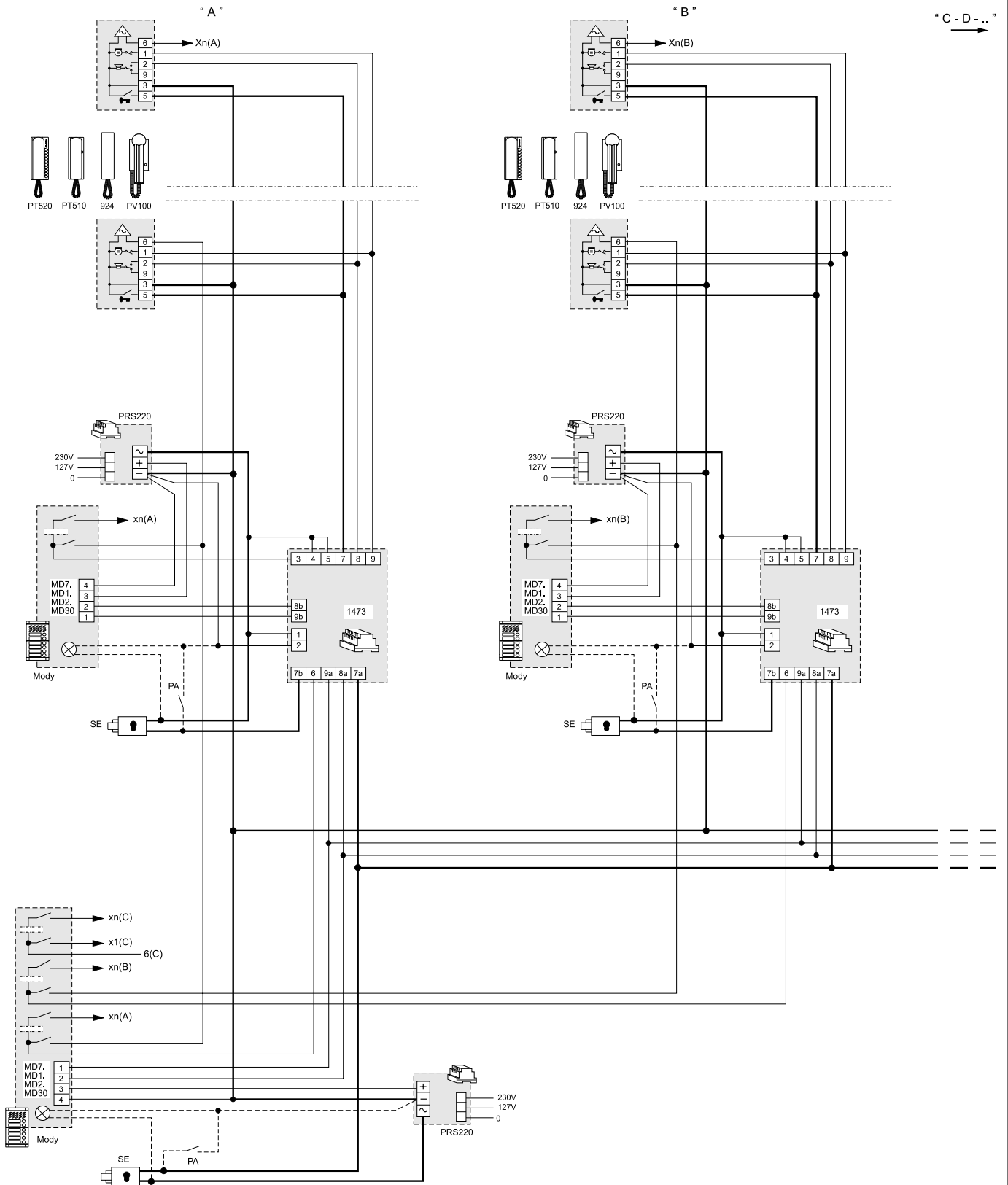


Application of Matrix push-button panel

The button common terminal of every module **CANNOT** be separated. For the composition of the push-button panel at the main entrance, carefully select the button modules in order to obtain the necessary number of buttons for every common terminal.



INTERCOM SYSTEM WITH SECONDARY DOOR STATIONS AND 1 MAIN COMMON STATION (multiple entrance)



ONE-WAY INTERCOM SYSTEM WITH SECONDARY DOOR STATIONS AND 1 MAIN COMMON STATION (multiple entrance)

Q.ty	Article	Description
...	PT 510 *	Project series intercom with 1 call button
1+X	PRS220	Power supply
X	1473	Exchanger
1+X	PA **	Door release push-button (optional)
1+X	SE **	Electric door lock (12VAC-1A)

Door station series Mody (for items selection refer to pages 12÷15)

Secondary door stations

X	MD71	Module frames with back box
X	MD11	Module for electric door speaker
X	MD81	Hood cover
X	MD91 (²)	Rain shelter with module frames
X	MD30	Electric door speaker (amplifier)

Main entrance

	1 row	2 row	
...	MD71÷74	MD71÷74	Module frames with back box
1	MD10-11-12	MD10-12-124	Modules for electric door speaker
...	MD21 ÷ 24	MD222 ÷ 228	Button modules
...	MD20 - 50	MD20 - 50	Blank and info modules
1	MD82 ÷ 812	MD82 ÷ 812	Hood covers
1	MD92 ÷ 912 (²)	MD92 ÷ 912 (²)	Rain shelters with module frames
1	MD30	MD30	Electric door speaker (amplifier)

Door station series Matrix (for items selection refer to pages 20 and 21)

Secondary door stations

X	MA71	Module frames with back box
X	MA11P	Module with integrated audio amplifier
X	MA61	Front frame

Main entrance

...	MA71÷73	Module frames with back box
1	MA10P-11P-12P	Modules with integrated audio amplifier
...	MA20-22-24	Blank and button modules
1	MA61 ÷ 63	Front frames

... Refers to number of users.

X Refers to the number of stairways.

* Besides the mentioned model all the intercoms from the **Project, PuntoVirgola, 900** and **700** can be installed.

** Articles not supplied by ACI Farfisa.

(²) Rain shelters are used instead of back boxes and hood covers.

Working instructions.

As the basic system described on page 27, with the following variations:

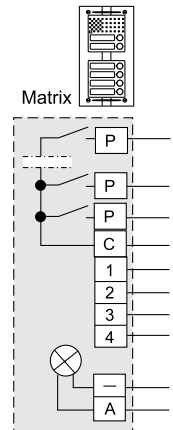
- The audio functions and door lock opening are automatically switched to the door station which has made the call and remain in this state until a call from another entrance is received.
- Services to secondary door stations are independent and can be operated at the same time.

Notes

- For the connection of name-plate lamps, read notes 6, 7 and 8 of the installation instructions on page 26.
- For wires dimensioning refer to the installation recommendations and table on page 26.
- Telephones can be used instead of intercoms (see "telecommunication" section).
- For other types of push-button panels see pages 22 and 23 or the general catalogue.

Application of Matrix push-button panel

The button common terminal of every module CANNOT be separated. For the composition of the push-button panel at the main entrance, carefully select the button modules in order to obtain the necessary number of buttons for every common terminal.

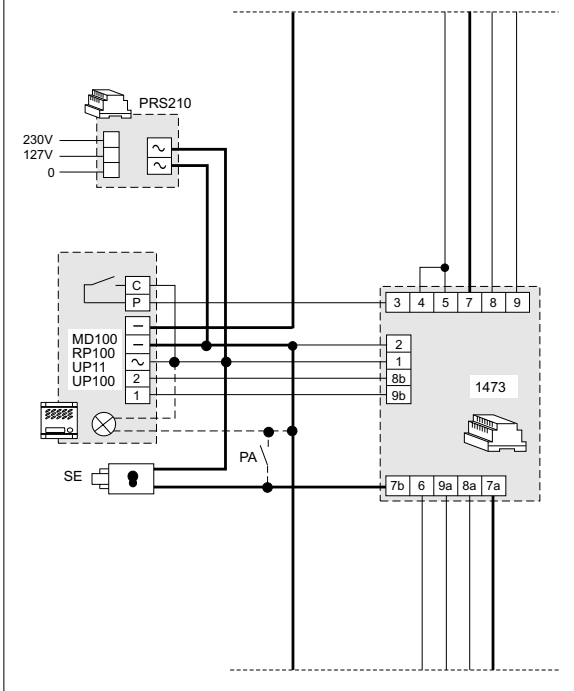


Application diagram

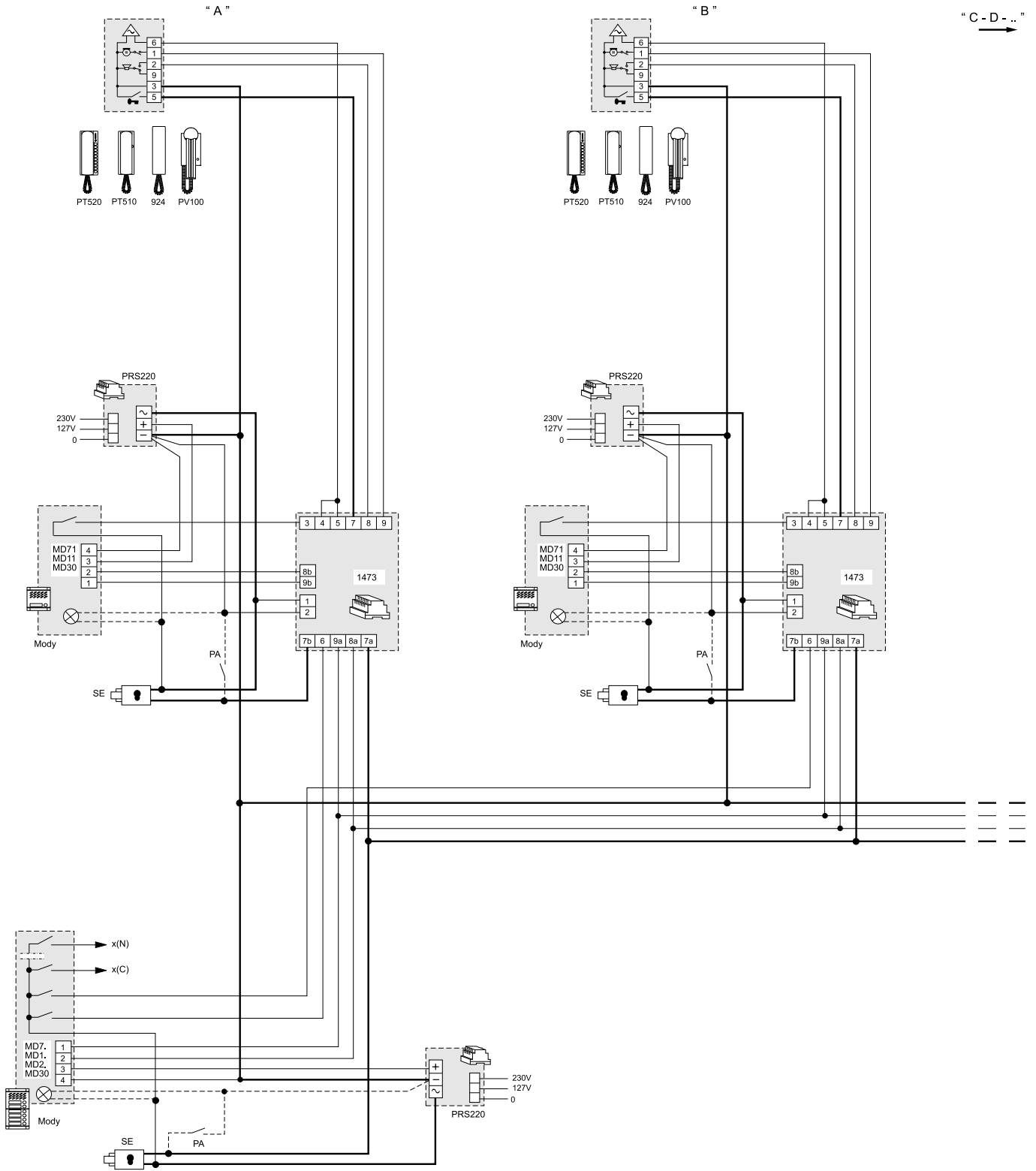
When using **MD100, RP100, UP11** and **UP100** amplified external door stations as one-way secondary door stations, place this diagram on the diagram on page 41 and line it up with the riser.

Warning.

- Bridging of C and ~ terminals is not necessary in **RP100** amplified external door stations.
- For alternate current wires refer to note 6 of the installation instructions on page 26.



ONE-WAY INTERCOM SYSTEM WITH SECONDARY DOOR STATIONS AND 1 MAIN COMMON STATION (multiple entrance)



INTERCOM SYSTEM WITH SECONDARY DOOR STATIONS AND 2 MAIN COMMON STATIONS (multiple entrance)

Q.ty	Article	Description
...	PT 510 *	Project series intercom with 1 call button
2+X	PRS220	Power supply
2xX	1473	Exchanger
2+X	PA **	Door release push-button (optional)
2+X	SE **	Electric door lock (12VAC-1A)

Door station series Mody (for items selection refer to pages 12÷15)

	1 row	2 row	
...	MD71÷74	MD71÷74	Module frames with back box
2+X	MD10-11-12	MD10-122-124	Modules for electric door speaker
...	MD21 ÷ 24	MD222 ÷ 228	Button modules
...	MD20 - 50	MD20 - 50	Blank and info modules
2+X	MD82 ÷ 812	MD82 ÷ 812	Hood covers
2+X	MD92 ÷ 912 (²)	MD92 ÷ 912 (²)	Rain shelters with module frames
2+X	MD30	MD30	Electric door speaker (amplifier)

Door station series Matrix (for items selection refer to pages 20 and 21)

...	MA71÷73	Module frames with back box
2+X	MA10P-11P-12P	Modules with integrated audio amplifier
...	MA20-22-24	Blank and button modules
...	MA61÷63	Front frames

... Refers to number of users.

X Refers to the number of stairways.

* Besides the mentioned model all the intercoms from the **Project, PuntoVirgola, 900** and **700** can be installed.

** Articles not supplied by ACI Farfisa.

(²) Rain shelters are used instead of back boxes and hood covers.

Working instructions.

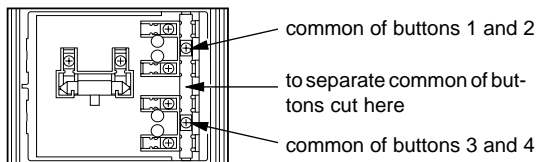
As the basic system described on page 27, with the following variations:

- The audio functions and door lock opening are automatically switched to the door station which has made the call and remain in this state until a call from another entrance is received.
- Services to secondary door stations are independent and can be operated at the same time.

Notes

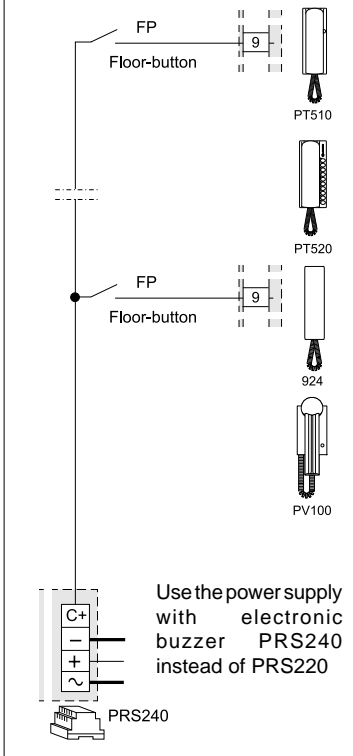
- You can also use **Prestige** and **TM** push-button panels. For the latter series you must request the version with separate common terminals.
- For the connection of name-plate lamps, read notes 6, 7 and 8 of the installation instructions on page 26.
- For wires dimensioning refer to the installation recommendations and table on page 26.
- Telephones can be used instead of intercoms (see "telecommunication" section).
- For other types of push-button panels see pages 22 and 23 or the general catalogue.

The main entrance push-button panel must have separate common terminals. One common terminal for each secondary door station. Buttons of the Mody series can be divided into 2-button groups.



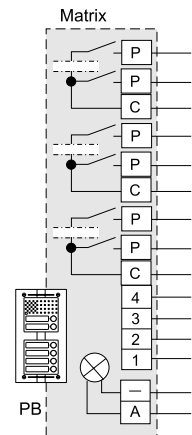
Floor call

This work diagram allows for differentiating the floor-call from the call from the push-button panel.

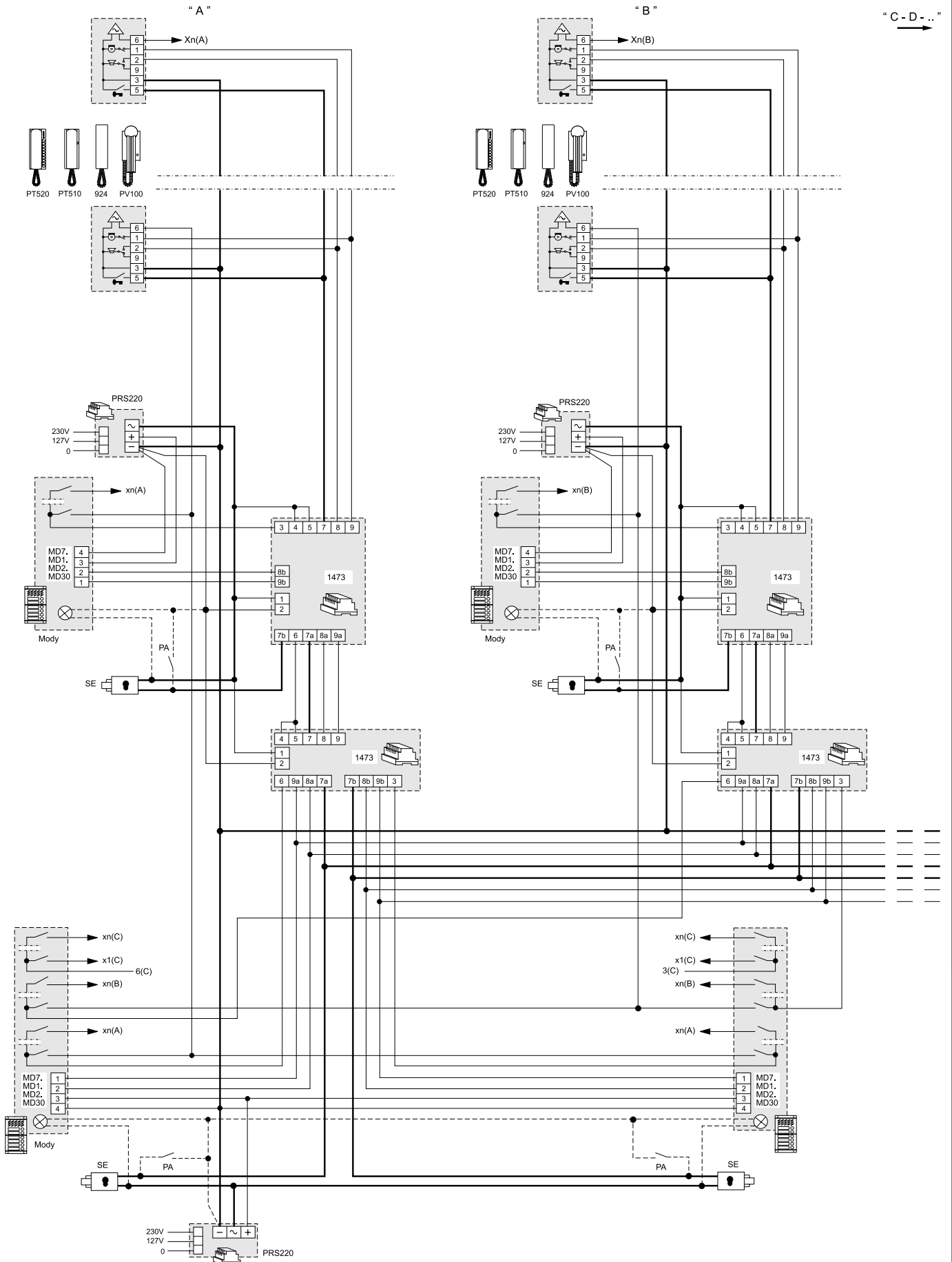


Application of Matrix push-button panel

The button common terminal of every module CANNOT be separated. For the composition of the push-button panel at the main entrance, carefully select the button modules in order to obtain the necessary number of buttons for every common terminal.



INTERCOM SYSTEM WITH SECONDARY DOOR STATIONS AND 2 MAIN COMMON STATIONS (multiple entrance)



Si 100L/2

2 INTERCOMMUNICATING INTERCOMMS

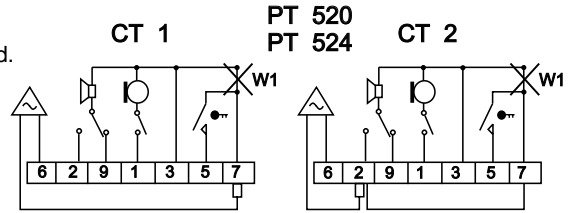
Q.ty	Article	Description
2	PT524 *	Project series intercom with 1 call button
1	PRS220	Power supply

* Besides the mentioned model the intercom **PT520** and **PT520W** can be installed.

Working instructions.
See page 27.

Notes

- In each intercom **to cut the jumper (W1)** that links terminals 3 and 7.
- In intercoms **CT1** **move the buzzer mobile connection** from terminal 3 to 7.
- In intercoms **CT2** **move the buzzer mobile connection** from terminal 3 to 2 and **connect** terminals 2 and 7 **together**.
- For wires dimensioning refer to the installation recommendations and table on page 26.



Si 100L/11

INTERCOMMUNICATING INTERCOMMS (2 to 11 users)

Q.ty	Article	Description
...	PT520W	Project series modular intercom
...	PT501	Single button unit
1	PRS231	Power supply

... Refers to number of users (see table).

Working instructions.
See page 27.

Notes

- In each intercom **to cut the jumper (W1)** that links terminals 3 and 7.
- In each intercom **to move the connection** of the buzzer from terminal 3 to 2.
- In all intercoms connect one of the two terminals of the single button unit to terminal 7.
- For wires dimensioning refer to the installation recommendations and table on page 26.

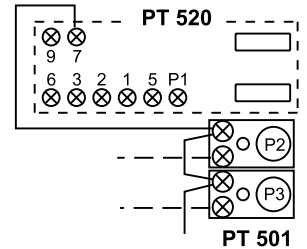
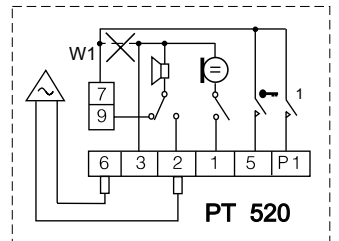
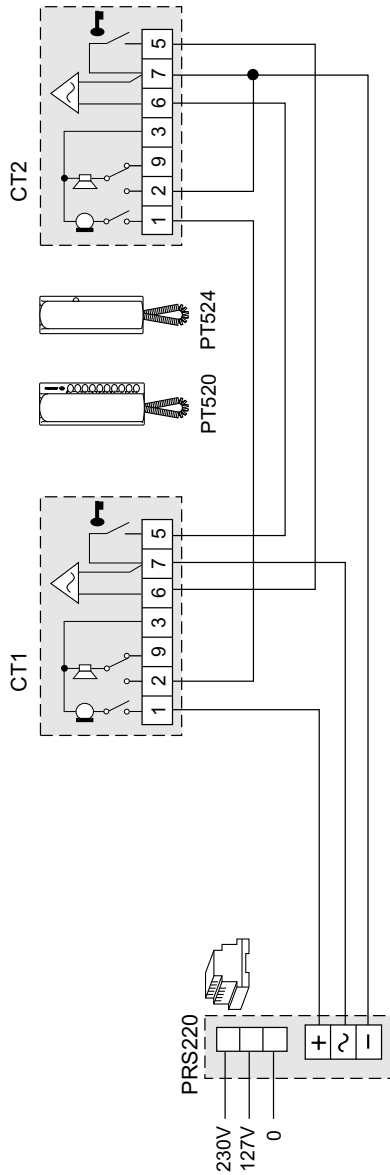


Table for choosing intercoms and accessories for the required type of installation

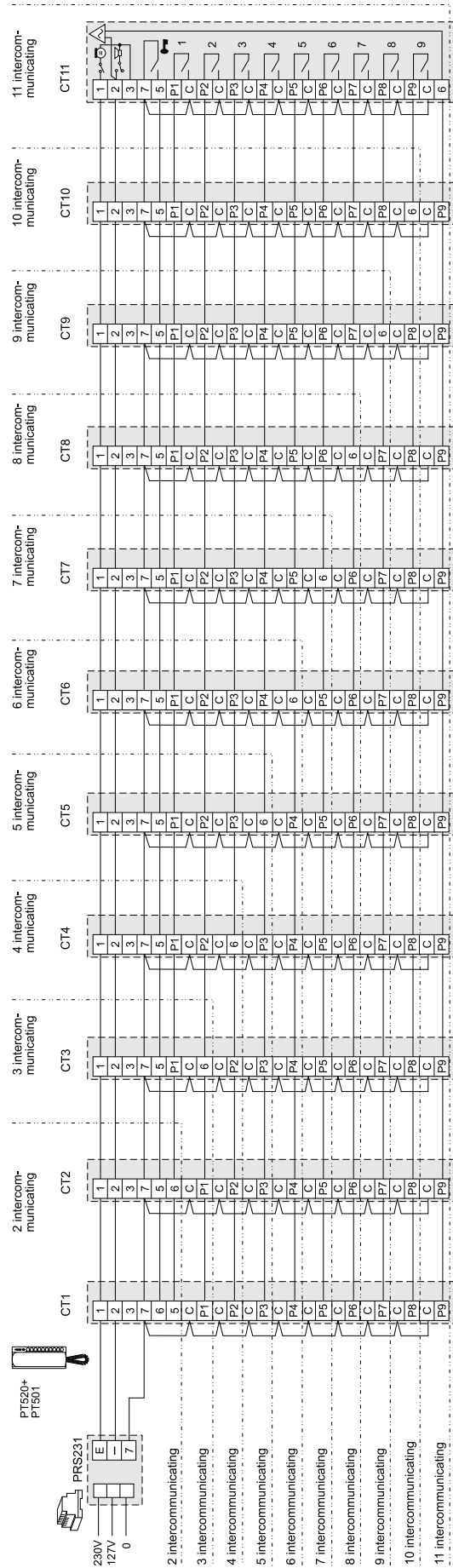
Number of intercommunicating	Project		
	PT520	PT501	PT524
2	2	0	2
3	3	0	
4	4	4	
5	5	10	
6	6	18	
7	7	28	
8	8	40	
9	9	54	
10	10	70	
11	11	88	



2 INTERCOMMUNICATING INTERCOMS



INTERCOMMUNICATING INTERCOMS (2 to 11 users)



5 INTERCOMMUNICATING INTERCOMS CONNECTED TO 1 EXTERNAL DOOR STATION WITH SINGLE CALLS. ELECTRONIC BELL FOR INTERNAL CALLS.

Q.ty	Article	Description
...	PT520	Project series modular intercom
...	PT501	Single button unit
...	SR40	Electronic bell module
1	PRS226	Power supply-switcher
1	PA **	Door release push-button (<i>optional</i>)
1	SE **	Electric door lock (12VAC-1A)

Door station series Mody (for right item set see on pages 12÷15)

	1 row	2 row	
...	MD71÷73	MD71÷73	Module frames with back box
1	MD10-11-12	MD10-122-124	Modules for electric door speaker
...	MD21 ÷ 24	MD222 ÷ 228	Button modules
...	MD20 - 50	MD20 - 50	Blank and info modules
1	MD81 ÷ 83	MD81 ÷ 83	Hood covers
1	MD91 ÷ 93*	MD91 ÷ 93*	Rain shelters with module frames
1	MD30	MD30	Electric door speaker (amplifier)

Door station series Matrix (for right item set see on pages 20 and 21)

...	MA71÷73	Module frames with back box
1	MA10P-11P-12P	Modules with integrated audio amplifier
...	MA20-22-24	Blank and button modules
...	MA61÷63	Front frames

... Refers to number of users (see table).

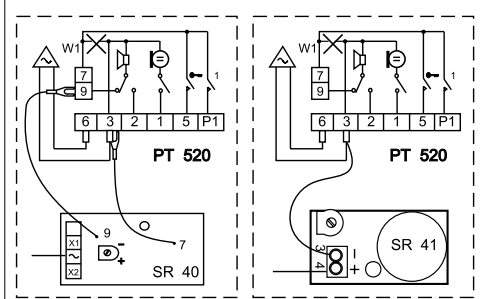
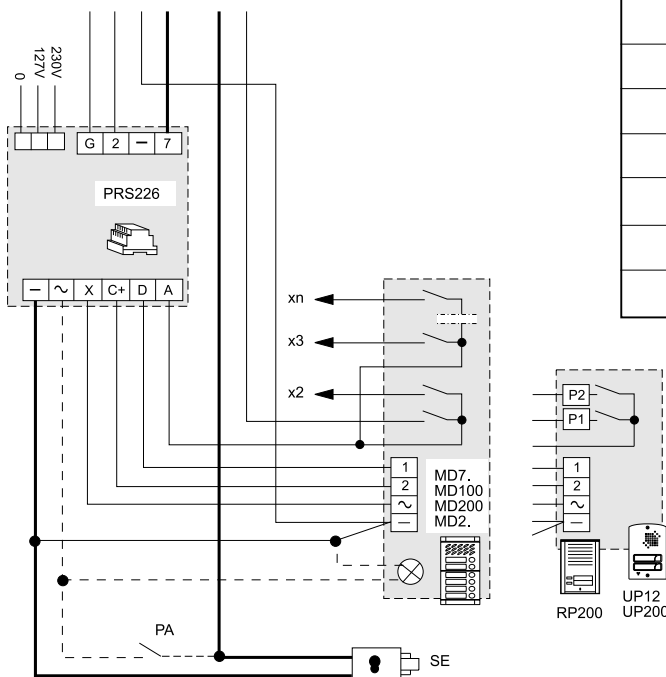
* Rain shelters are used instead of back boxes and hood covers.

** Articles not supplied by ACI Farfisa.

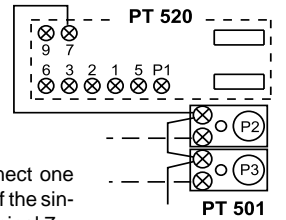
Working instructions. See page 27.

Notes

- For the connection of name-plate lamps, read notes 6 and 7 of the installation instructions on page 26.
- For wires dimensioning refer to the installation recommendations and table on page 26.
- For other types of push-button panels see pages 22 and 23 or the general catalogue.



In intercoms **cut the jumper W1** that connects terminals 3 and 7 and apply:
 - the electronic buzzer SR40 by connecting wires 7 and 9 to the intercom terminals 3 and 9,
 - or use the buzzer SR41 by connecting terminals 3 of buzzer and intercom together and by connecting the call wires to terminal 4 (instead of terminal ~ as shown in the diagrams).



In all intercoms connect one of the two terminals of the single button unit to terminal 7.

Table for choosing intercoms and accessories for the required type of installation

Number of inter-communicating	Project			Application diagram on page:	
	PT520	PT501	SR40/SR41		
2	2	0	2	62	64
3	3	3	3	62	64
4	4	8	4	62	64
5	5	15	5	63	47
6	6	24	6	63	65
7	7	35	7	*	65
8	8	48	8	*	
9	9	63	9	*	
10	10	80	10	*	

* upon request

Application diagram

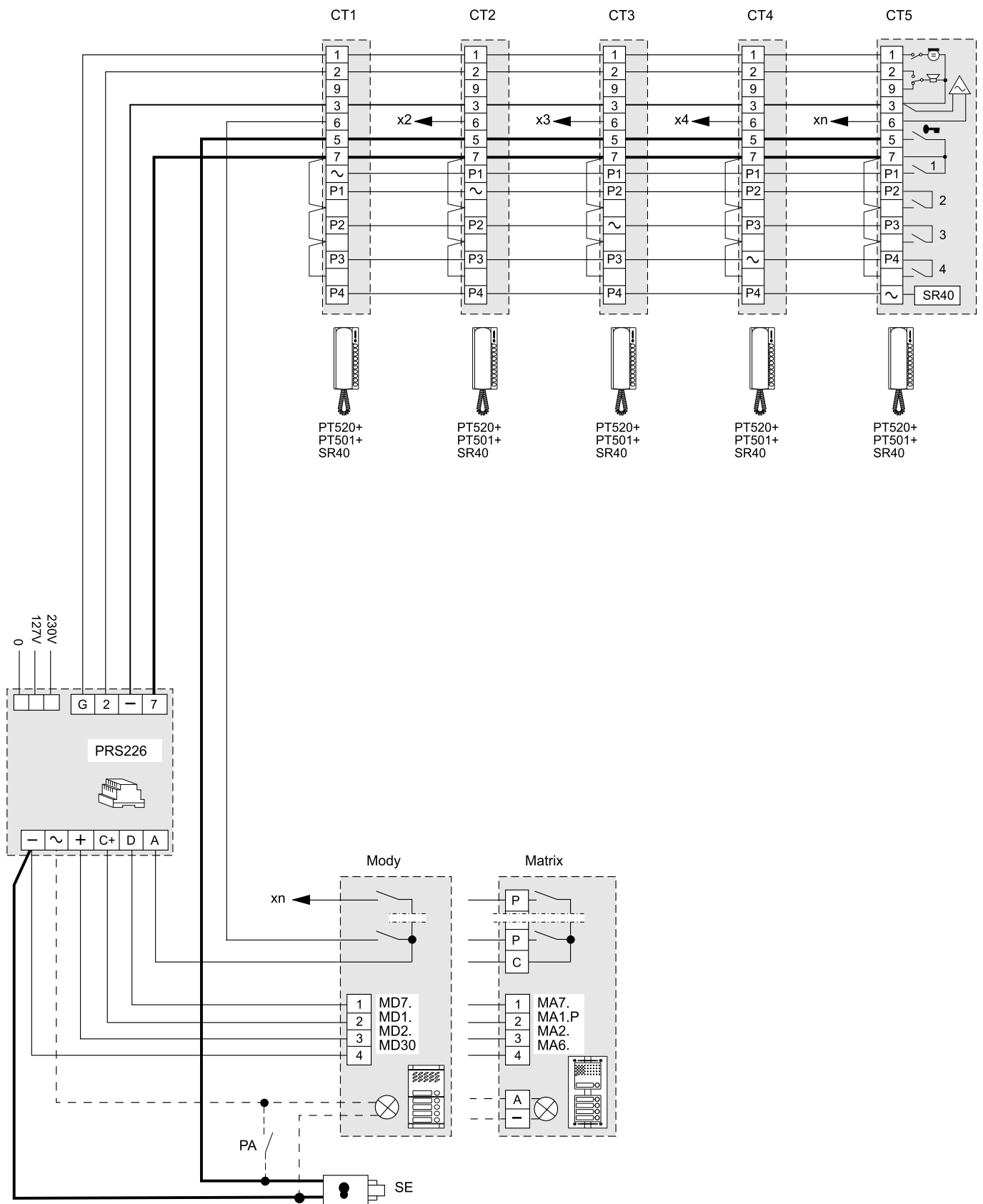
When using **MD100, MD200, RP200, UP12** and **UP200** amplified external door stations (RP and UP series for two-way systems only) place this diagram on the diagram on page 47 and line it up with the riser.

Warning.

- In the external door stations **RP200** cut the jumper **W1**.
- In the external door stations **UP** do not connect the yellow wire and insulate it.
- For alternate current wires refer to note 6 of the installation instructions on page 26.



5 INTERCOMMUNICATING INTERCOMS CONNECTED TO 1 EXTERNAL DOOR STATION WITH SINGLE CALLS. ELECTRONIC BELL FOR INTERNAL CALLS



5 INTERCOMMUNICATING INTERCOMS CONNECTED TO 1 EXTERNAL DOOR STATION WITH COMMON CALL. ELECTRONIC BELL FOR INTERNAL CALLS.

Q.ty	Article	Description
...	PT520	Project series modular intercom
...	PT501	Single button unit
...	SR40	Electronic bell module
1	PRS226	Power supply-switcher
1	PA **	Door release push-button (optional)
1	SE **	Electric door lock (12VAC-1A)

Door station series Mody

1	MD71	Module frames with back box
1	MD11	Module for electric door speaker
1	MD81	Hood cover
1	MD91*	Rain shelter with module frames
1	MD30	Electric door speaker (amplifier)

Door station series Matrix

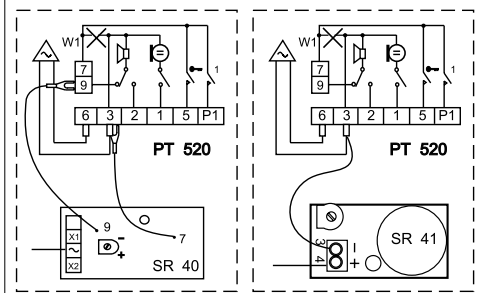
1	MA71	Module frames with back box
1	MA11P	Module with integrated audio amplifier
1	MA61	Front frame

- ... Refers to number of users (see table).
- * Rain shelters are used instead of back boxes and hood covers.
- ** Articles not supplied by ACI Farfisa.

Working instructions. See page 27.

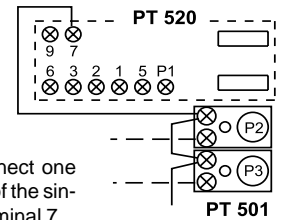
Notes

- For the connection of name-plate lamps, read notes 6 and 7 of the installation instructions on page 26.
- For wires dimensioning refer to the installation recommendations and table on page 26.
- For other types of push-button panels see pages 22 and 23 or the general catalogue.



In intercoms **cut the jumper W1** that connects terminals 3 and 7 and apply:

- the electronic buzzer SR40 by connecting wires 7 and 9 to the intercom terminals 3 and 9,
- or use the buzzer SR41 by connecting terminals 3 of buzzer and intercom together and by connecting the call wires to terminal 4 (instead of terminal ~ as shown in the diagrams).

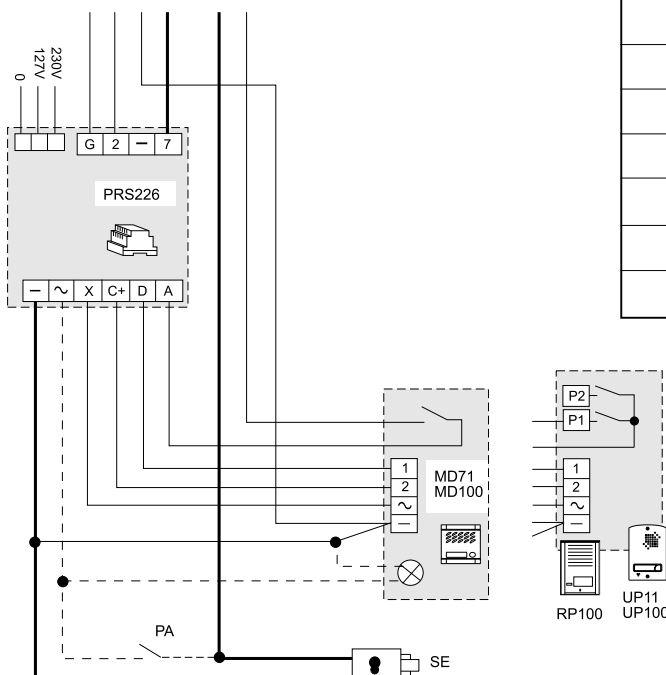


In all intercoms connect one of the two terminals of the single button unit to terminal 7.

Table for choosing intercoms and accessories for the required type of installation

Number of inter-communicating	Project			Application diagram on page:
	PT520	PT501	SR40/SR41	
2	2	0	2	66
3	3	3	3	66
4	4	8	4	66
5	5	15	5	49
6	6	24	6	67
7	7	35	7	67
8	8	48	8	*
9	9	63	9	*
10	10	80	10	*

* upon request



Application diagram

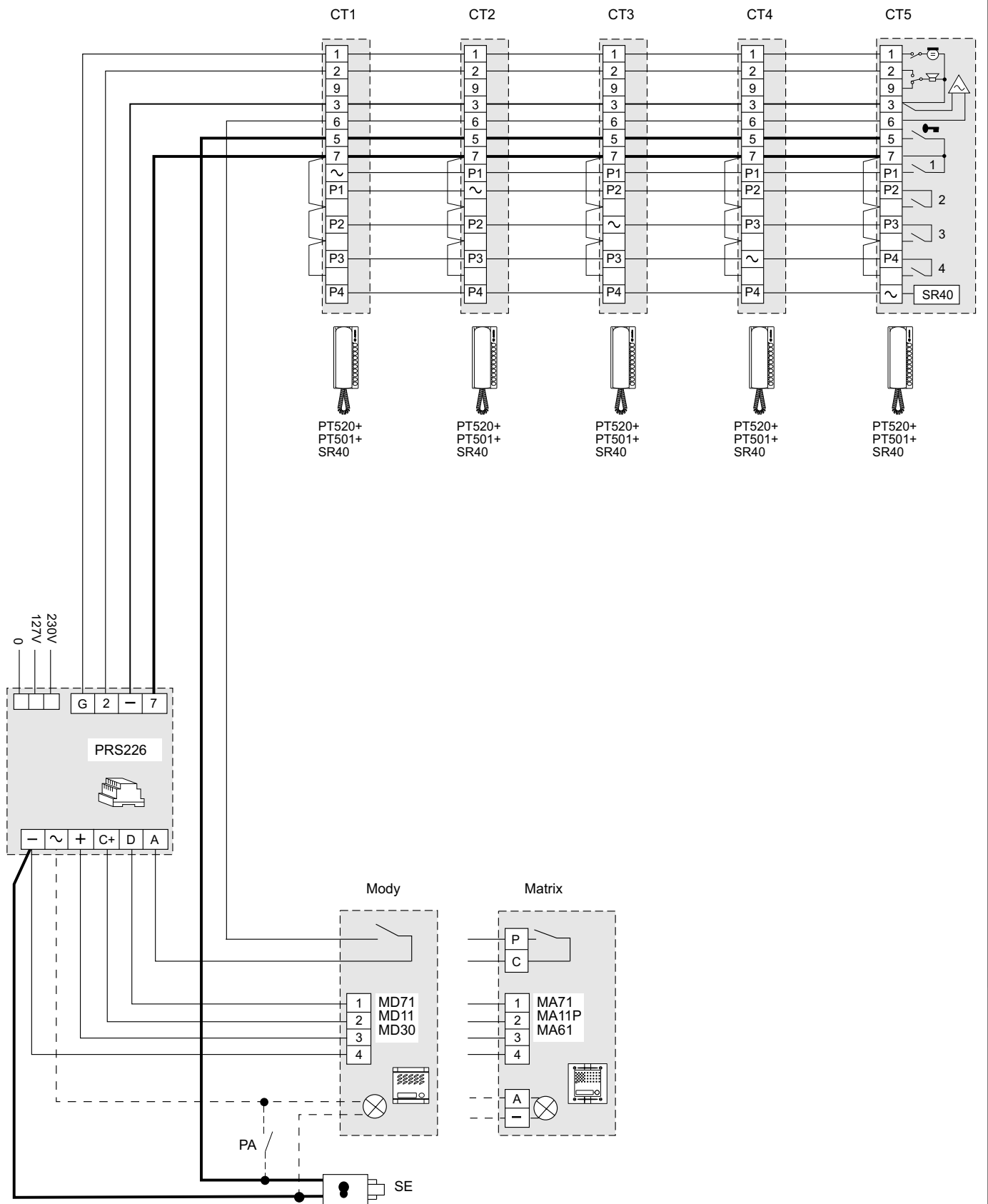
When using **MD100, MD200, RP200, UP12** and **UP200** amplified external door stations (RP and UP series for two-way systems only) place this diagram on the diagram on page 49 and line it up with the riser.

Warning.

- In the external door stations **RP200** cut the jumper **W1**.
- In the external door stations **UP** do not connect the yellow wire and insulate it.
- For alternate current wires refer to note 6 of the installation instructions on page 26.



5 INTERCOMMUNICATING INTERCOMS CONNECTED TO 1 EXTERNAL DOOR STATION WITH COMMON CALL. ELECTRONIC BELL FOR INTERNAL CALLS



INTERCOMS * VIDEOINTERCOMS * TELECOMMUNICATION

PROJECT



5 INTERCOMMUNICATING INTERCOMMS CONNECTED TO 2 EXTERNAL DOOR STATIONS WITH SINGLE CALLS. ELECTRONIC BELL FOR INTERNAL CALLS.

Q.ty	Article	Description
...	PT520	Project series modular intercom
...	PT501	Single button unit
...	SR40	Electronic bell module
1	PRS226	Power supply-switcher
1	1473	Exchanger
2	PA **	Door release push-button (optional)
2	SE **	Electric door lock (12VAC-1A)

Door station series Mody (for right item set see on pages 12÷15)

	1 row	2 row	Description
...	MD71÷73	MD71÷73	Module frames with back box
2	MD10-11-12	MD10-122-124	Modules for electric door speaker
...	MD21 ÷ 24	MD222 ÷ 228	Button modules
...	MD20 - 50	MD20 - 50	Blank and info modules
2	MD81 ÷ 83	MD81 ÷ 83	Hood covers
2	MD91 ÷ 93*	MD91 ÷ 93*	Rain shelters with module frames
2	MD30	MD30	Electric door speaker (amplifier)

Door station series Matrix (for right item set see on pages 20 and 21)

...	MA71÷73	Module frames with back box
2	MA10P-11P-12P	Modules with integrated audio amplifier
...	MA20-22-24	Blank and button modules
...	MA61÷63	Front frames

... Refers to number of users (see table).

* Rain shelters are used instead of back boxes and hood covers.

** Articles not supplied by ACI Farfisa.

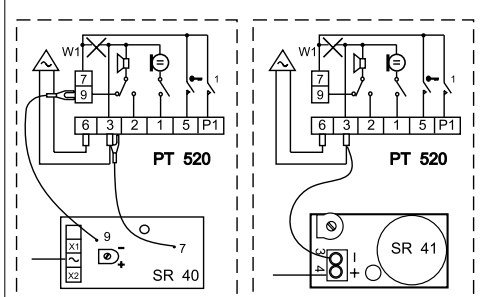
Working instructions

As the basic system described on page 27, with the following variations:

- The audio functions and door lock opening are automatically switched to the door station which has made the call and remain in this state until a call from another entrance is received.

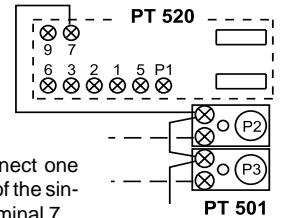
Notes

- For the connection of name-plate lamps, read notes 6 and 7 of the installation instructions on page 26.
- For wires dimensioning refer to the installation recommendations and table on page 26.
- For other types of push-button panels see pages 22 and 23 or the general catalogue.



In intercoms **cut the jumper W1** that connects terminals 3 and 7 and apply:

- the electronic buzzer SR40 by connecting wires 7 and 9 to the intercom terminals 3 and 9,
- or use the buzzer SR41 by connecting terminals 3 of buzzer and intercom together and by connecting the call wires to terminal 4 (instead of terminal ~ as shown in the diagrams).



In all intercoms connect one of the two terminals of the single button unit to terminal 7.

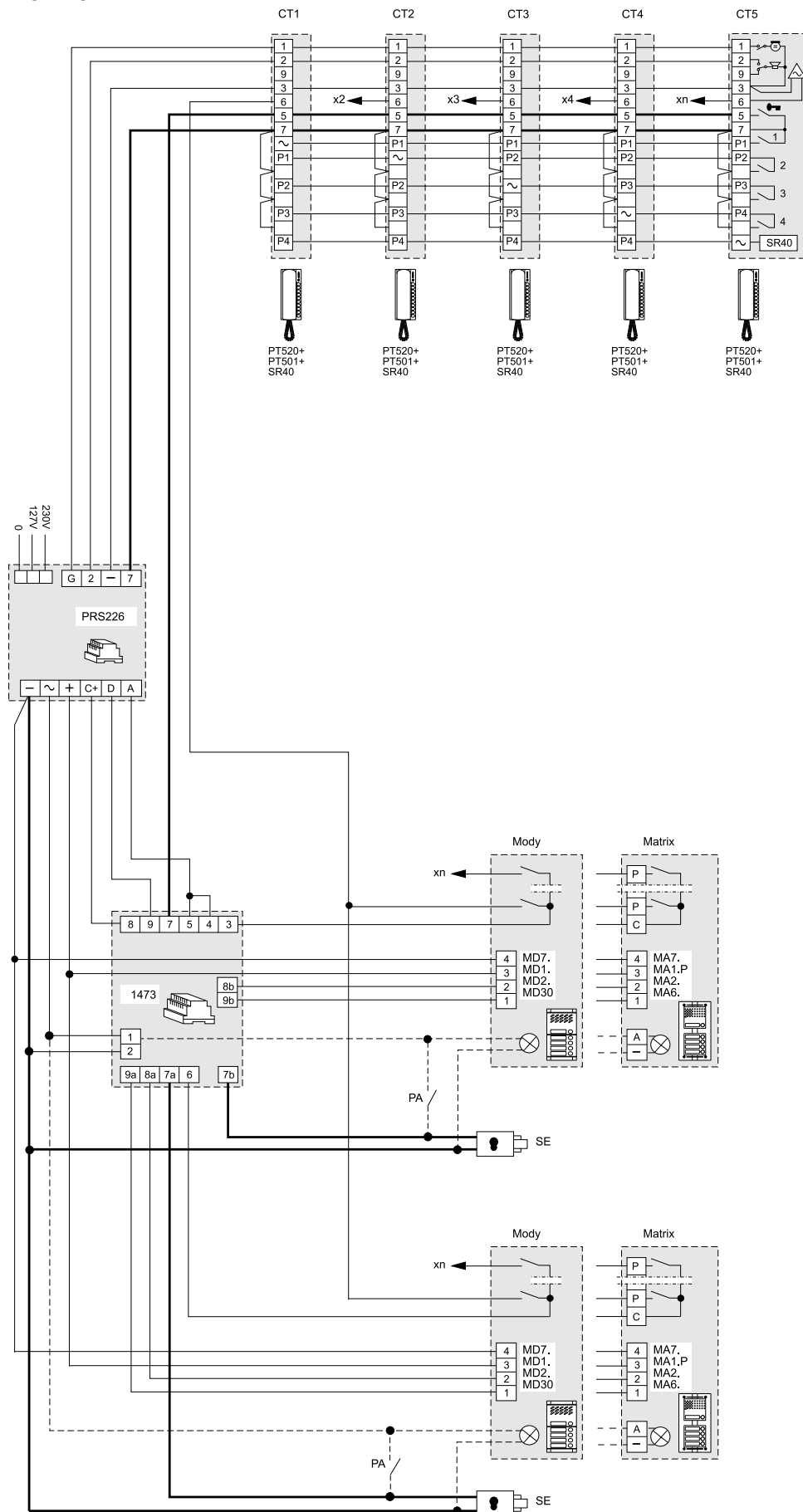
Table for choosing intercoms and accessories for the required type of installation

Number of inter-communicating	Project			Application diagram on page:	
	PT520	PT501	SR40/SR41		
2	2	0	2	62	64
3	3	3	3	62	64
4	4	8	4	62	64
5	5	15	5	63	51
6	6	24	6	63	65
7	7	35	7	*	65
8	8	48	8	*	
9	9	63	9	*	
10	10	80	10	*	

* upon request



5 INTERCOMMUNICATING INTERCOMS CONNECTED TO 2 EXTERNAL DOOR STATIONS WITH SINGLE CALLS. ELECTRONIC BELL FOR INTERNAL CALLS



INTERCOMS * VIDEOINTERCOMS * TELECOMMUNICATION

PROJECHT



5 INTERCOMMUNICATING INTERCOMMS CONNECTED TO 2 EXTERNAL DOOR STATIONS WITH COMMON CALL. ELECTRONIC BELL FOR INTERNAL CALLS.

Q.ty	Article	Description
...	PT520	Project series modular intercom
...	PT501	Single button unit
...	SR40	Electronic bell module
1	PRS226	Power supply-switcher
1	1473	Exchanger
2	PA **	Door release push-button (optional)
2	SE **	Electric door lock (12VAC-1A)

Door station series Mody

2	MD71	Module frames with back box
2	MD11	Module for electric door speaker
2	MD81	Hood cover
2	MD91*	Rain shelter with module frames
2	MD30	Electric door speaker (amplifier)

Door station series Matrix

2	MA71	Module frames with back box
2	MA11P	Module with integrated audio amplifier
2	MA61	Front frame

... Refers to number of users (see table).

* Rain shelters are used instead of back boxes and hood covers.

** Articles not supplied by ACI Farfisa.

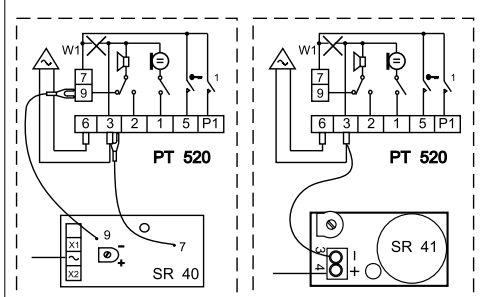
Working instructions

As the basic system described on page 27, with the following variations:

- The audio functions and door lock opening are automatically switched to the door station which has made the call and remain in this state until a call from another entrance is received.

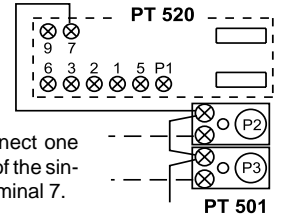
Notes

- For the connection of name-plate lamps, read notes 6 and 7 of the installation instructions on page 26.
- For wires dimensioning refer to the installation recommendations and table on page 26.
- For other types of push-button panels see pages 22 and 23 or the general catalogue.



In intercoms **cut the jumper W1** that connects terminals 3 and 7 and apply:

- the electronic buzzer SR40 by connecting wires 7 and 9 to the intercom terminals 3 and 9,
- or use the buzzer SR41 by connecting terminals 3 of buzzer and intercom together and by connecting the call wires to terminal 4 (instead of terminal ~ as shown in the diagrams).



In all intercoms connect one of the two terminals of the single button unit to terminal 7.

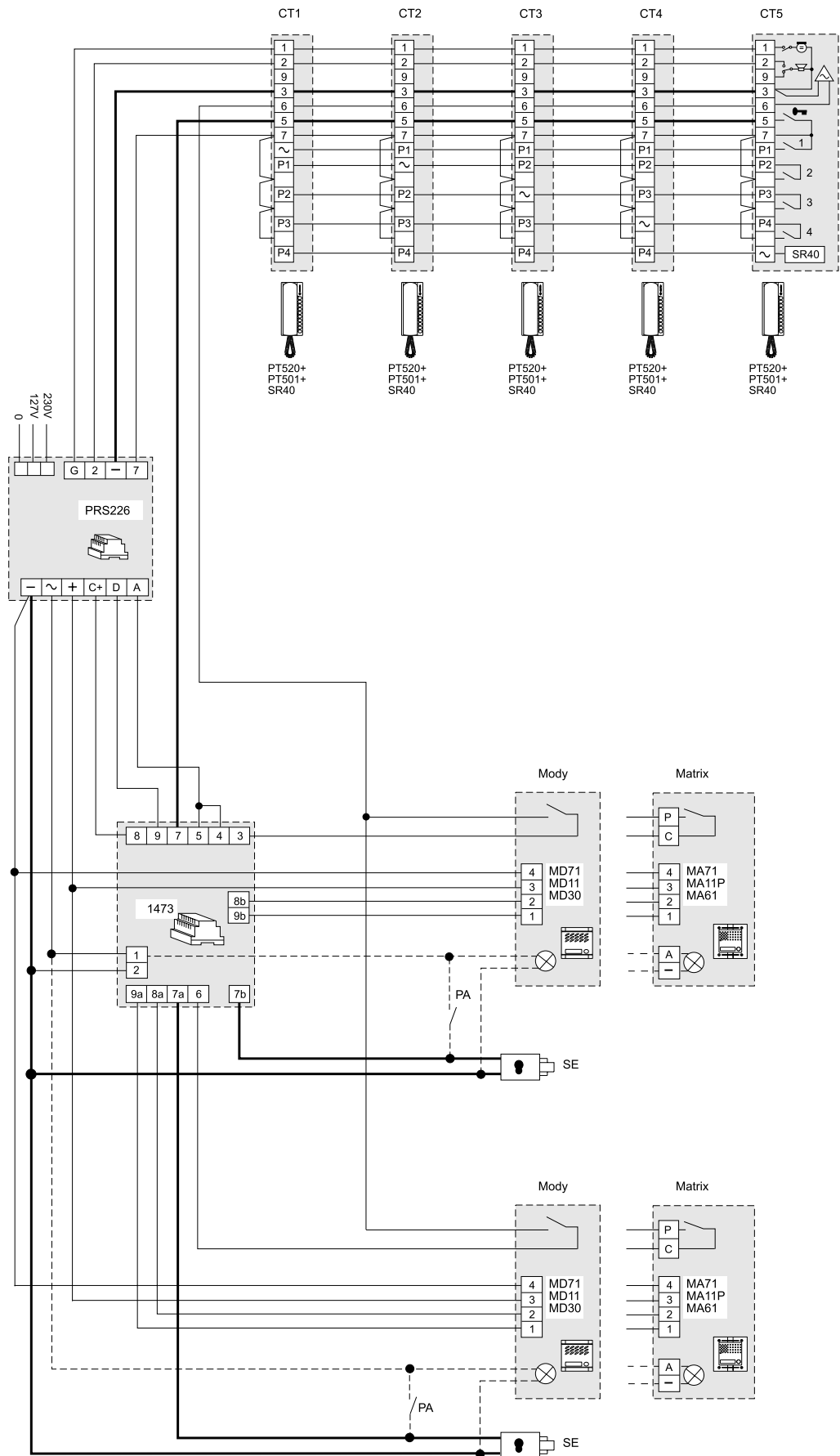
Table for choosing intercomms and accessories for the required type of installation

Number of inter-communicating	Project			Application diagram on page:
	PT520	PT501	SR40/SR41	
2	2	0	2	66
3	3	3	3	66
4	4	8	4	66
5	5	15	5	53
6	6	24	6	67
7	7	35	7	67
8	8	48	8	*
9	9	63	9	*
10	10	80	10	*

* upon request



5 INTERCOMMUNICATING INTERCOMS CONNECTED TO 2 EXTERNAL DOOR STATIONS WITH COMMON CALL. ELECTRONIC BELL FOR INTERNAL CALLS



5 INTERCOMMUNICATING INTERCOMMS CONNECTED TO 3 EXTERNAL DOOR STATIONS WITH SINGLE CALLS. ELECTRONIC BELL FOR INTERNAL CALLS.

Q.ty	Article	Description
...	PT520	Project series modular intercom
...	PT501	Single button unit
...	SR40	Electronic bell module
1	PRS226	Power supply-switcher
2	1473	Exchanger
3	PA **	Door release push-button (optional)
3	SE **	Electric door lock (12VAC-1A)

Door station series Mody (for right item set see on pages 12÷15)

	1 row	2 row	
...	MD71÷73	MD71÷73	Module frames with back box
3	MD10-11-12	MD10-122-124	Modules for electric door speaker
...	MD21 ÷ 24	MD222 ÷ 228	Button modules
...	MD20 - 50	MD20 - 50	Blank and info modules
3	MD81 ÷ 83	MD81 ÷ 83	Hood covers
3	MD91 ÷ 93*	MD91 ÷ 93*	Rain shelters with module frames
3	MD30	MD30	Electric door speaker (amplifier)

Door station series Matrix (for right item set see on pages 20 and 21)

...	MA71÷73	Module frames with back box
3	MA10P-11P-12P	Modules with integrated audio amplifier
...	MA20-22-24	Blank and button modules
...	MA61÷63	Front frames

... Refers to number of users (see table).

* Rain shelters are used instead of back boxes and hood covers.

** Articles not supplied by ACI Farfisa.

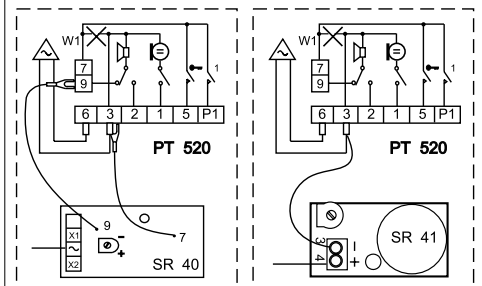
Working instructions

As the basic system described on page 27, with the following variations:

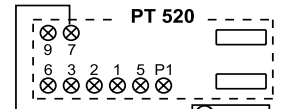
- The audio functions and door lock opening are automatically switched to the door station which has made the call and remain in this state until a call from another entrance is received.

Notes

- For the connection of name-plate lamps, read notes 6 and 7 of the installation instructions on page 26.
- For wires dimensioning refer to the installation recommendations and table on page 26.
- For other types of push-button panels see pages 22 and 23 or the general catalogue.



In intercoms **cut the jumper W1** that connects terminals 3 and 7 and apply:
 - the electronic buzzer SR40 by connecting wires 7 and 9 to the intercom terminals 3 and 9,
 - or use the buzzer SR41 by connecting terminals 3 of buzzer and intercom together and by connecting the call wires to terminal 4 (instead of terminal ~ as shown in the diagrams).



In all intercoms connect one of the two terminals of the single button unit to terminal 7.

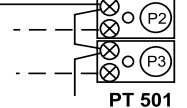


Table for choosing intercoms and accessories for the required type of installation

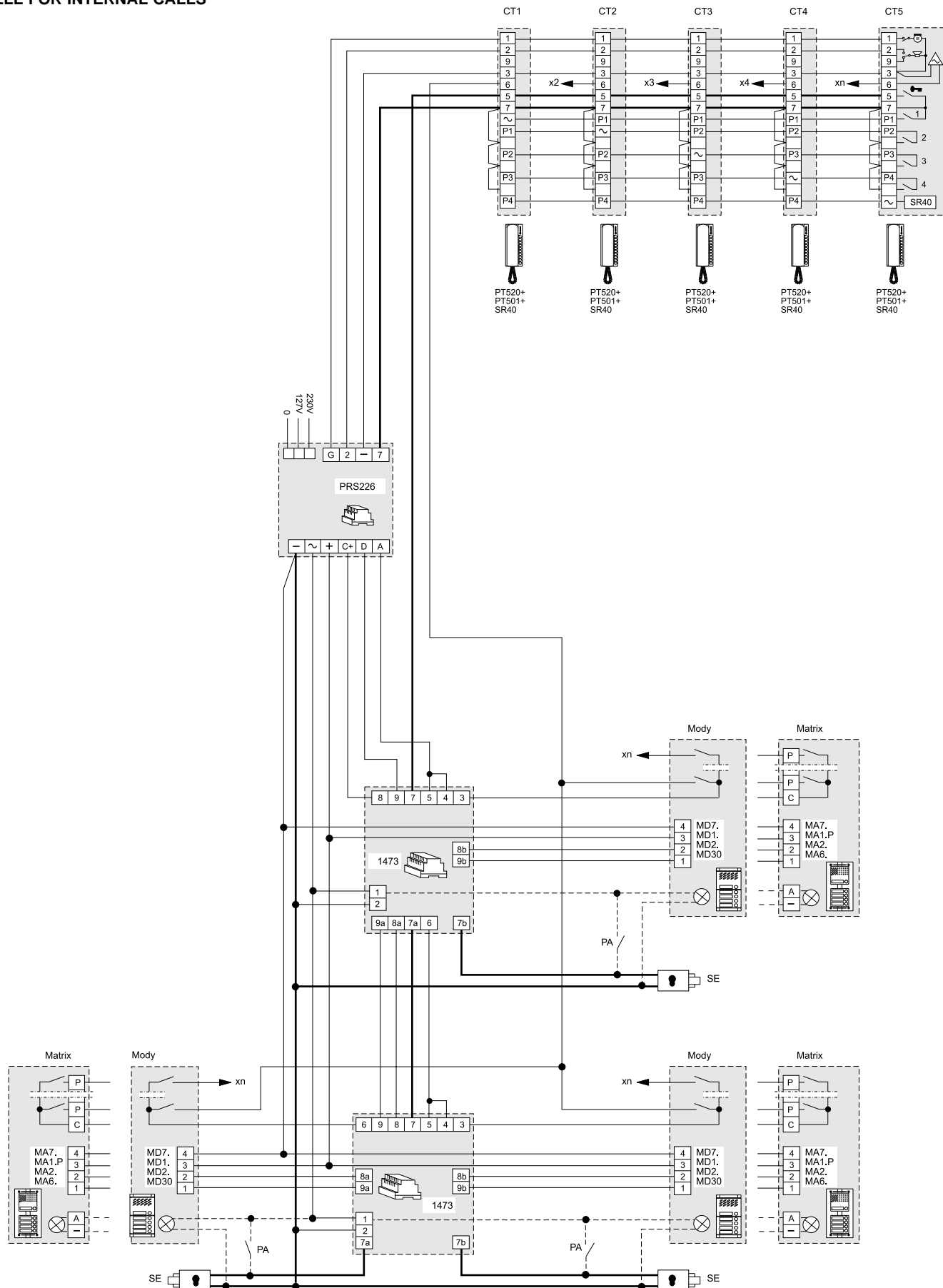
Number of inter-communicating	Project			Application diagram on page:	
	PT520	PT501	SR40/SR41		
2	2	0	2	62	64
3	3	3	3	62	64
4	4	8	4	62	64
5	5	15	5	63	55
6	6	24	6	63	65
7	7	35	7	*	65
8	8	48	8	*	
9	9	63	9	*	
10	10	80	10	*	

* upon request



5 INTERCOMMUNICATING INTERCOMS CONNECTED TO 3 EXTERNAL DOOR STATIONS WITH SINGLE CALLS. ELECTRONIC BELL FOR INTERNAL CALLS

INTERCOMS * VIDEOINTERCOMS * TELECOMMUNICATION



PROJECT

5 INTERCOMMUNICATING INTERCOMMS CONNECTED TO 3 EXTERNAL DOOR STATIONS WITH COMMON CALL. ELECTRONIC BELL FOR INTERNAL CALLS.

Q.ty	Article	Description
...	PT520	Project series modular intercom
...	PT501	Single button unit
...	SR40	Electronic bell module
1	PRS226	Power supply-switcher
2	1473	Exchanger
3	PA **	Door release push-button (optional)
3	SE **	Electric door lock (12VAC-1A)

Door station series Mody

3	MD71	Module frames with back box
3	MD11	Module for electric door speaker
3	MD81	Hood cover
3	MD91*	Rain shelter with module frames
3	MD30	Electric door speaker (amplifier)

Door station series Matrix

3	MA71	Module frames with back box
3	MA11P	Module with integrated audio amplifier
3	MA61	Front frame

... Refers to number of users (see table).

* Rain shelters are used instead of back boxes and hood covers.

** Articles not supplied by ACI Farfisa.

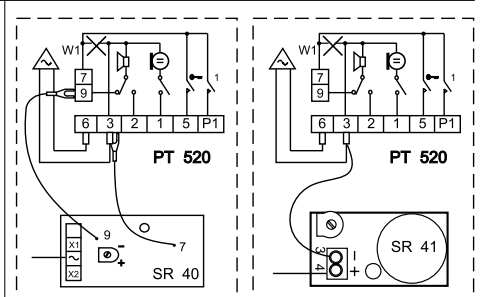
Working instructions

As the basic system described on page 27, with the following variations:

- The audio functions and door lock opening are automatically switched to the door station which has made the call and remain in this state until a call from another entrance is received.

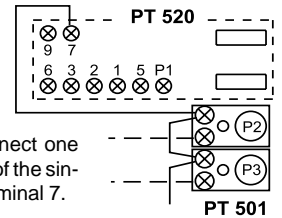
Notes

- For the connection of name-plate lamps, read notes 6 and 7 of the installation instructions on page 26.
- For wires dimensioning refer to the installation recommendations and table on page 26.
- For other types of push-button panels see pages 22 and 23 or the general catalogue.



In intercoms **cut the jumper W1** that connects terminals 3 and 7 and apply:

- the electronic buzzer SR40 by connecting wires 7 and 9 to the intercom terminals 3 and 9,
- or use the buzzer SR41 by connecting terminals 3 of buzzer and intercom together and by connecting the call wires to terminal 4 (instead of terminal ~ as shown in the diagrams).



In all intercoms connect one of the two terminals of the single button unit to terminal 7.

Table for choosing intercoms and accessories for the required type of installation

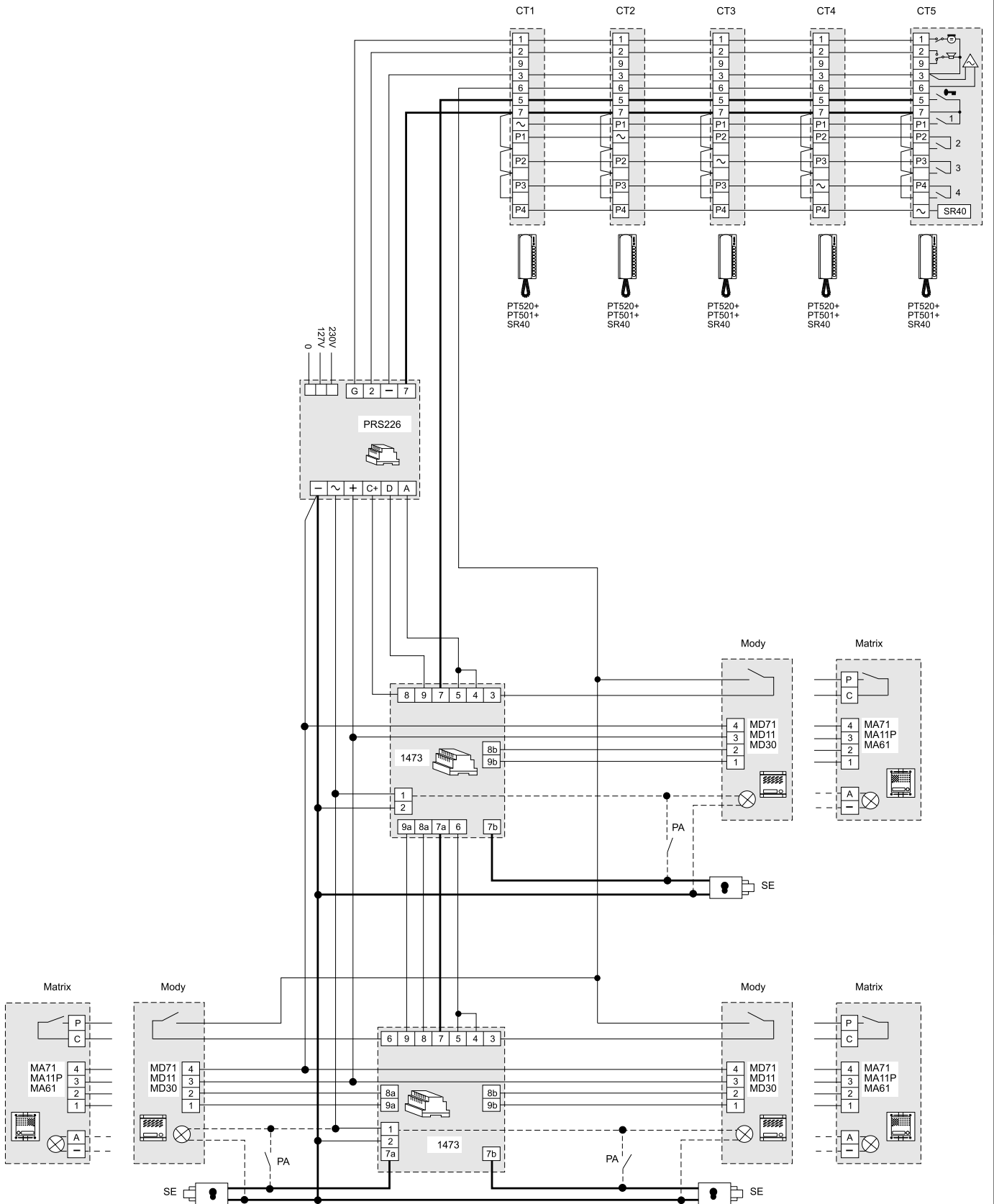
Number of inter-communicating	Project			Application diagram on page:
	PT520	PT501	SR40/SR41	
2	2	0	2	66
3	3	3	3	66
4	4	8	4	66
5	5	15	5	57
6	6	24	6	67
7	7	35	7	67
8	8	48	8	*
9	9	63	9	*
10	10	80	10	*

* upon request



5 INTERCOMMUNICATING INTERCOMS CONNECTED TO 3 EXTERNAL DOOR STATIONS WITH COMMON CALL. ELECTRONIC BELL FOR INTERNAL CALLS

INTERCOMS * VIDEOINTERCOMS * TELECOMMUNICATION



PROJECT



ONE-WAY INTERCOMMUNICATING SYSTEM WITH SECONDARY DOOR STATIONS AND 1 MAIN COMMON STATION (multiple entrance).

Q.ty	Article	Description
...	PT520	Project series modular intercom
...	PT501	Single button unit
1	PRS220	Power supply
X	PRS226E	Power supply-switcher
X	1473	Exchanger
1+X	PA **	Door release push-button (optional)
1+X	SE **	Electric door lock (12VAC-1A)

Door station series Mody (for right item set see on pages 12÷15)

Secondary door stations

X	MD71	Module frames with back box
X	MD11	Module for electric door speaker
X	MD81	Hood cover
X	MD91*	Rain shelter with module frames
X	MD30	Electric door speaker (amplifier)

Main entrance

	1 row	2 row	
...	MD71÷74	MD71÷74	Module frames with back box
1	MD10-11-12	MD10-122-124	Modules for electric door speaker
...	MD21 ÷ 24	MD222 ÷ 228	Button modules
...	MD20 - 50	MD20 - 50	Blank and info modules
1	MD82 ÷ 812	MD82 ÷ 812	Hood covers
1	MD92 ÷ 912*	MD92 ÷ 912*	Rain shelters with module frames
1	MD30	MD30	Electric door speaker (amplifier)

Door station series Matrix (for right item set see on pages 20 and 21)

Secondary door stations

X	MA71	Module frames with back box
X	MA11P	Module with integrated audio amplifier
X	MA61	Front frame

Main entrance

...	MA71÷73	Module frames with back box
1	MA10P-11P-12P	Modules with integrated audio amplifier
...	MA20-22-24	Blank and button modules
...	MA61÷63	Front frames

... Refers to number of users.

X Refers to the number of stairways.

* Rain shelters are used instead of back boxes and hood covers.

** Articles not supplied by ACI Farfisa.

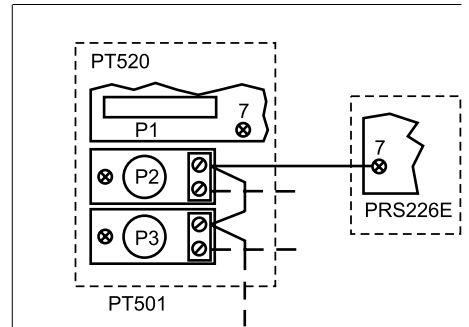
Working instructions.

As the basic system described on page 27, with the following variations:

- The audio functions and door lock opening are automatically switched to the door station which has made the call and remain in this state until a call from another entrance is received.
- Services to secondary door stations are independent and can be operated at the same time.

Notes

- For the connection of name-plate lamps, read notes 6 and 7 of the installation instructions on page 26.
- For wires dimensioning refer to the installation recommendations and table on page 26.
- For other types of push-button panels see pages 22 and 23 or the general catalogue.



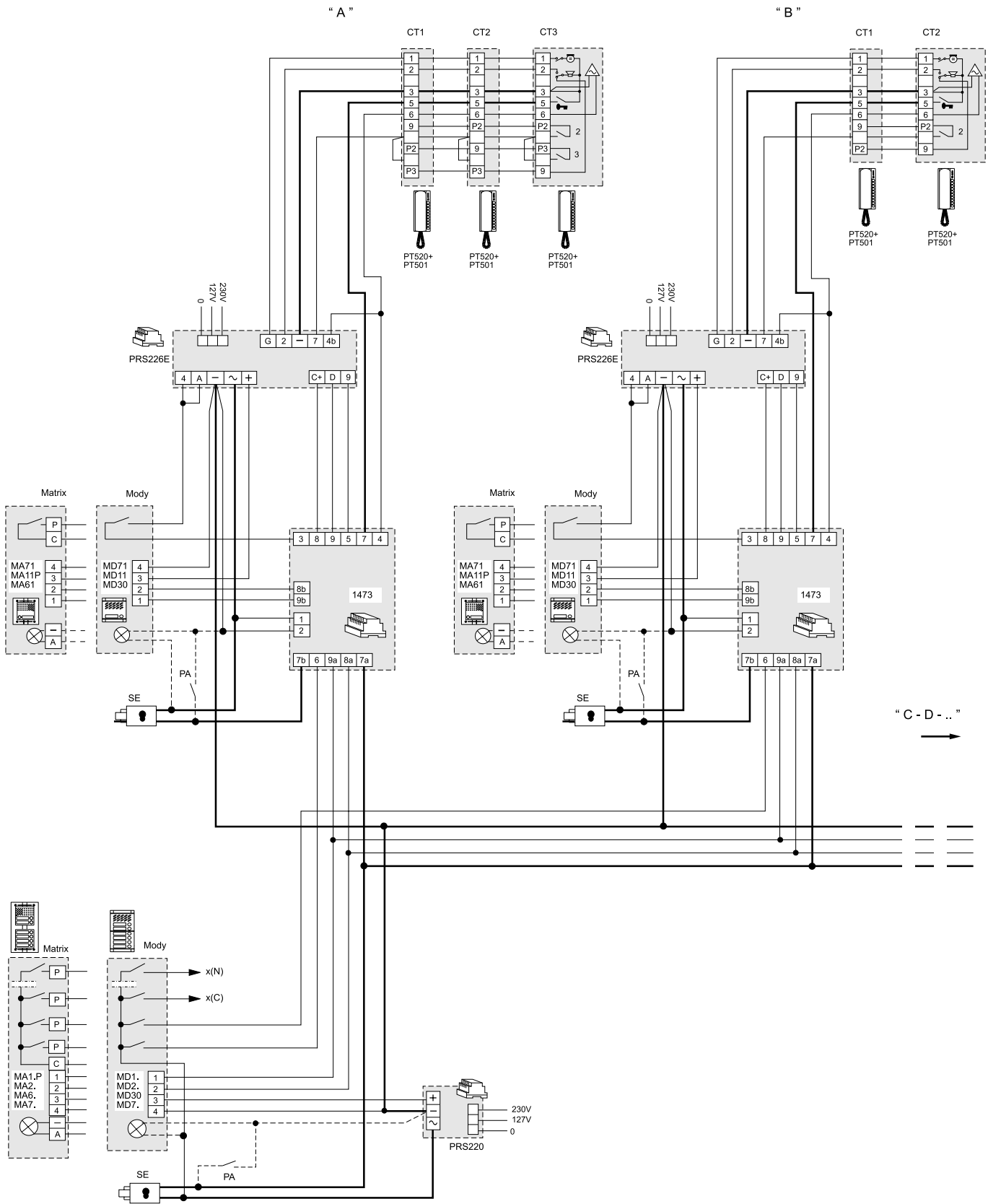
- In every **intercommunicating** intercom apply the single button group by connecting one of the two button terminals to **terminal 7 of the power supply PRS226E**.
- **Do not use button no. 1** for intercommunicating calls.

Table for choosing intercoms and accessories for the required type of installation

Number of inter-communicating	Project	
	PT520	PT501
2	2	0
3	3	3
4	4	8
5	5	15
6	6	24
7	7	35
8	8	48
9	9	63
10	10	80



ONE-WAY INTERCOMMUNICATING SYSTEM WITH SECONDARY DOOR STATIONS AND 1 MAIN COMMON STATION (multiple entrance)



INTERCOMS * VIDEOINTERCOMS * TELECOMMUNICATION

PROJECT



MULTI-WAY INTERCOM SYSTEM CONNECTED TO 1 EXTERNAL DOOR STATION. With intercommunication service in 1 or more apartments and private conversation feature with the external door station and the other apartments.

Q.ty	Article	Description
...	PT 510 *	Project series intercom with 1 call button
1	PRS220	Power supply
1	PA **	Door release push-button (optional)
1	SE **	Electric door lock (12VAC-1A)

Door station series Mody (for right item set see on pages 12÷15)

	1 row	2 row	
...	MD71÷74	MD71÷74	Module frames with back box
1	MD10-11-12	MD10-122-124	Modules for electric door speaker
...	MD21 ÷ 24	MD222 ÷ 228	Button modules
...	MD20 - 50	MD20 - 50	Blank and info modules
1	MD82 ÷ 812	MD82 ÷ 812	Hood covers
1	MD92 ÷ 912 (²)	MD92 ÷ 912 (²)	Rain shelters with module frames
1	MD30	MD30	Electric door speaker (amplifier)

Door station series Matrix (for right item set see on pages 20 and 21)

...	MA71÷73	Module frames with back box
1	MA10P-11P-12P	Modules with integrated audio amplifier
...	MA20-22-24	Blank and button modules
...	MA61÷63	Front frames

Articles required for every intercommunicating flat

...	PT520	Intercom with 2 call buttons
...	PT501	Single button unit
1	PRS226E	Power supply-switcher

... Refers to number of users.

* Besides the mentioned model all the intercoms from the **Project, PuntoVirgola, 900 and 700** can be installed.

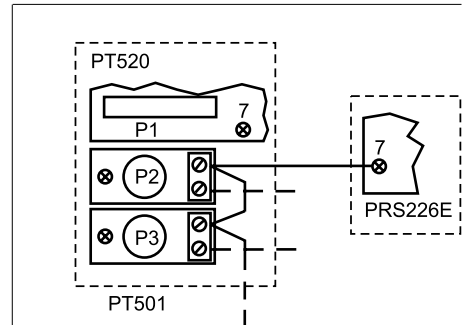
** Articles not supplied by ACI Farfisa.

(²) Rain shelters are used instead of back boxes and hood covers.

Working instructions. See page 27.

Notes

- To use **MD100** and **MD200 amplified external door stations**, combine the diagram on page 61 to the diagram on page 30 by aligning it to the riser.
- For the connection of name-plate lamps, read notes 6, 7 and 8 of the installation instructions on page 26.
- For wires dimensioning refer to the installation recommendations and table on page 26.
- Telephones can be used instead of intercoms (see "telecommunication" section).
- For other types of push-button panels see pages 22 and 23 or the general catalogue.



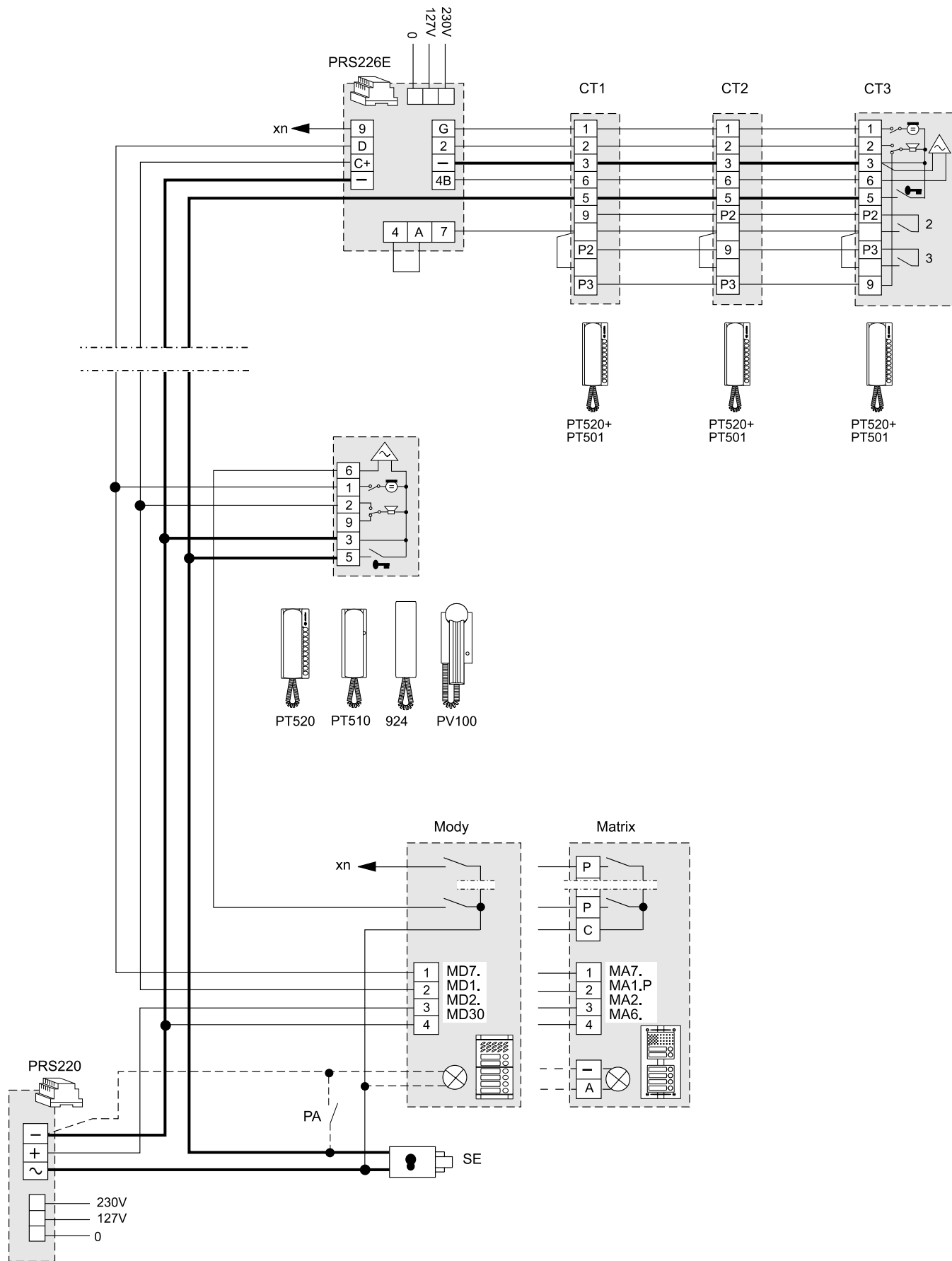
- In every **intercommunicating** intercom apply the single button group by connecting one of the two button terminals to **terminal 7 of the power supply PRS226E**.
- **Do not use button no. 1** for intercommunicating calls.

Table for choosing intercoms and accessories for the required type of installation

Number of inter-communicating	Project		Application diagram on page:
	PT520	PT501	
2	2	0	68
3	3	3	68
4	4	8	69
5	5	15	69
6	6	24	70
7	7	35	70
8	8	48	upon request
9	9	63	upon request
10	10	80	upon request



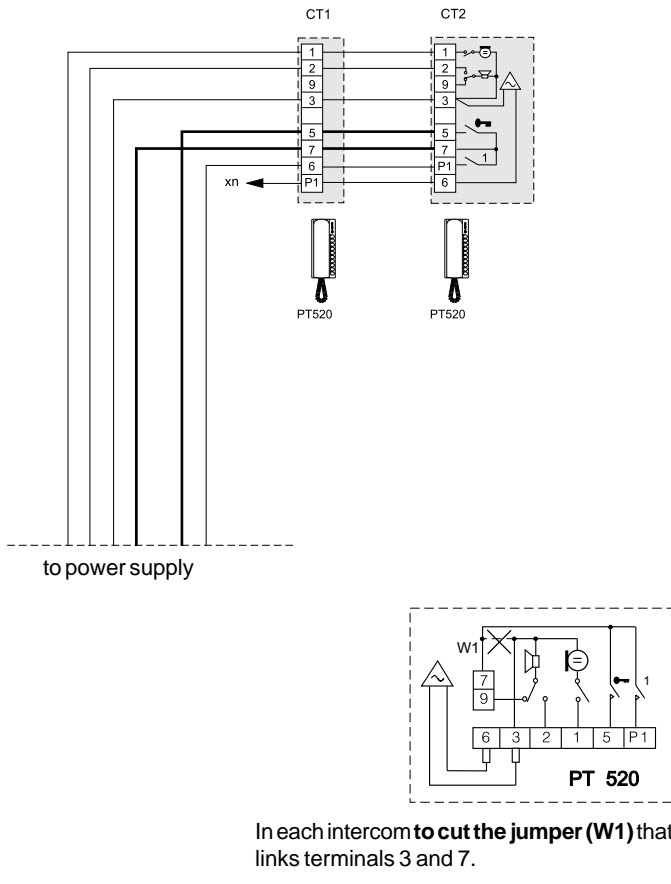
MULTI-WAY INTERCOM SYSTEM CONNECTED TO 1 EXTERNAL DOOR STATION. With intercommunication service in 1 or more apartments and private conversation feature with the external door station and the other apartments.



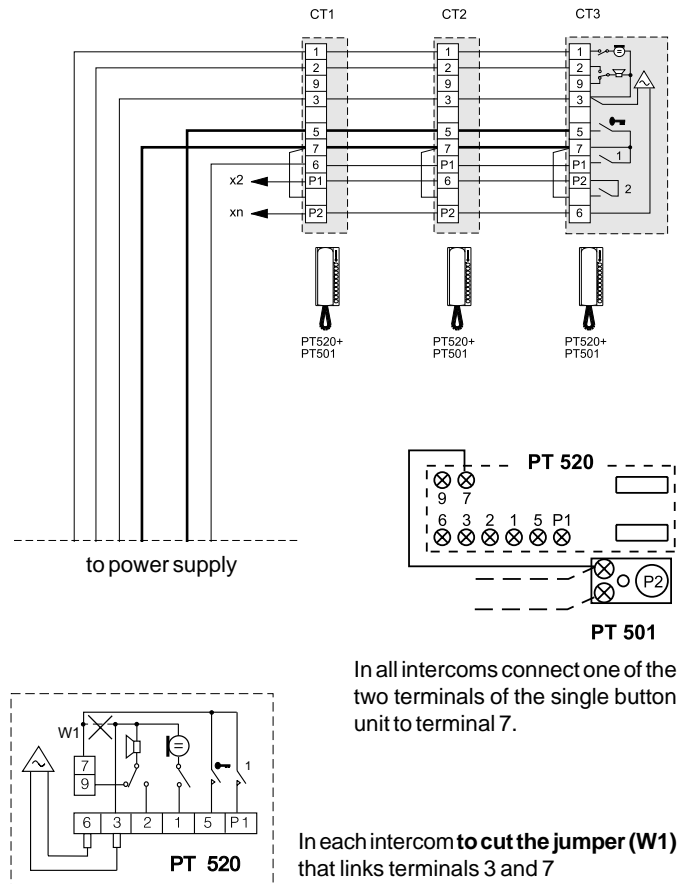
ADDITIONAL DIAGRAMS FOR INTERCOMMUNICATING SYSTEMS WITH SINGLE EXTERNAL CALL. BOTH CALLS ACTIVATE THE BUZZER.

- To match with diagrams: Si 115L/5S; Si 125L/5S; Si 135L/5S

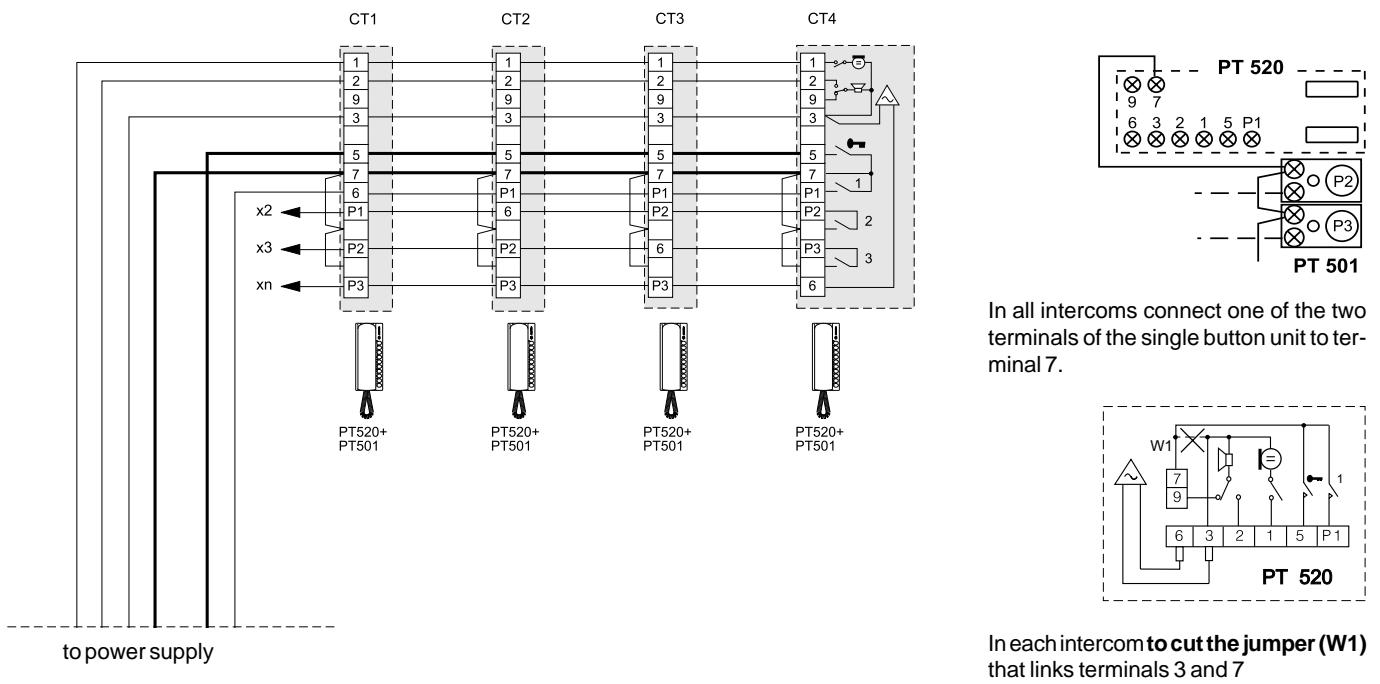
2 INTERCOMMUNICATING INTERCOMS



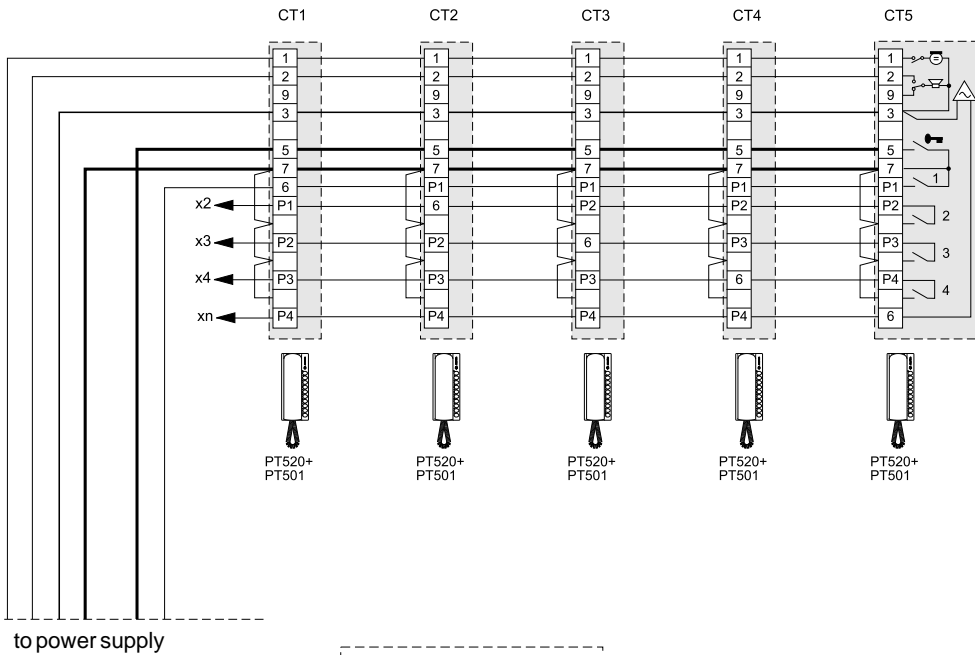
3 INTERCOMMUNICATING INTERCOMS



4 INTERCOMMUNICATING INTERCOMS

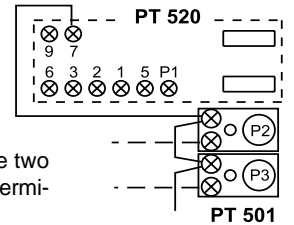
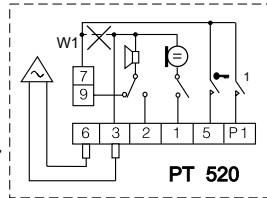


5 INTERCOMMUNICATING INTERCOMS



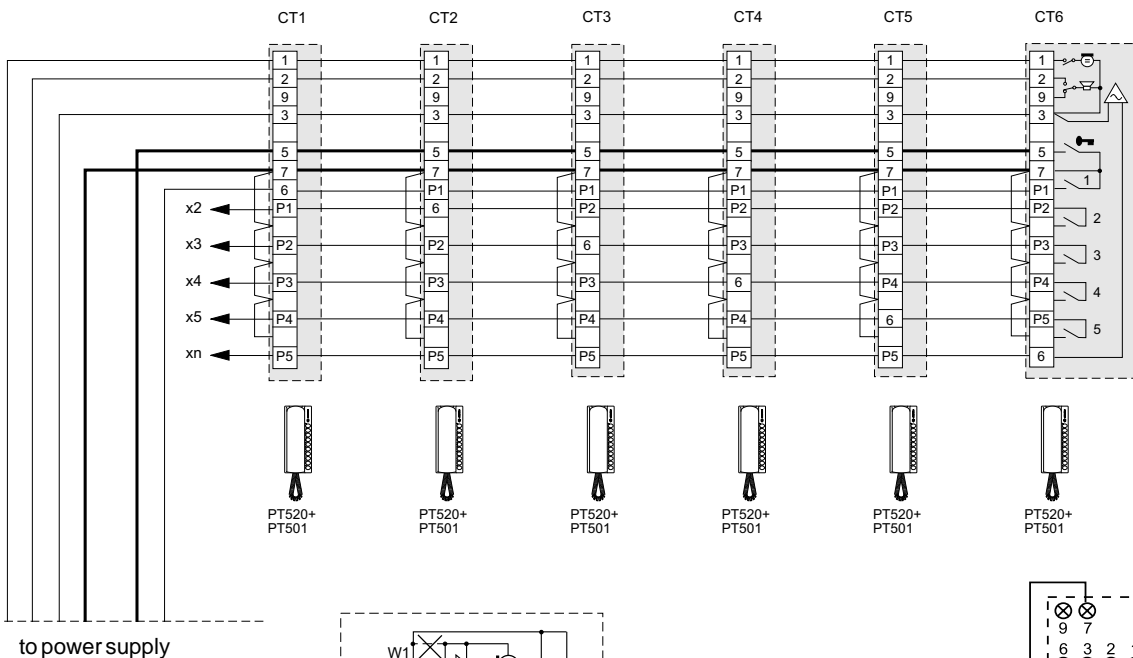
to power supply

In each intercom to cut the jumper (W1) that links terminals 3 and 7



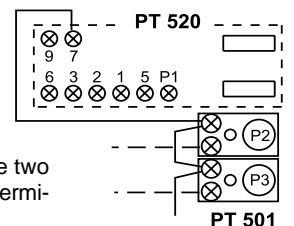
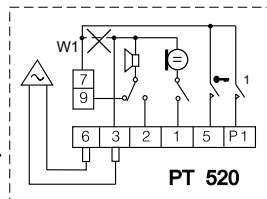
In all intercoms connect one of the two terminals of the single button unit to terminal 7.

6 INTERCOMMUNICATING INTERCOMS



to power supply

In each intercom to cut the jumper (W1) that links terminals 3 and 7



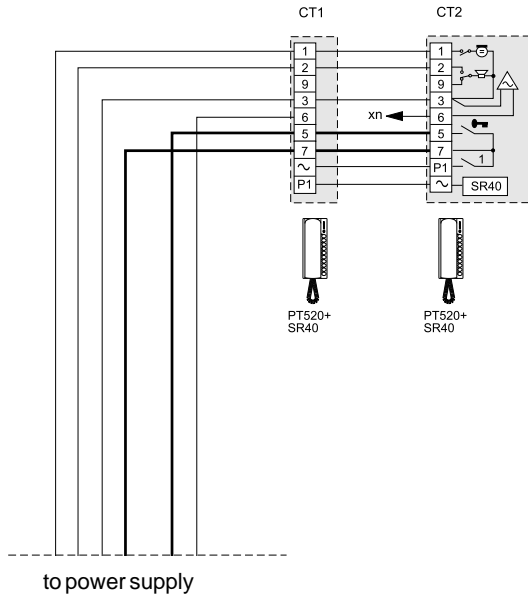
In all intercoms connect one of the two terminals of the single button unit to terminal 7.



APPLICATION DIAGRAMS FOR INTERCOMMUNICATING SYSTEMS WITH SINGLE ALTERNATE CURRENT CALL FROM EXTERNAL STATION AND ELECTRONIC CALL FOR EXTENSIONS

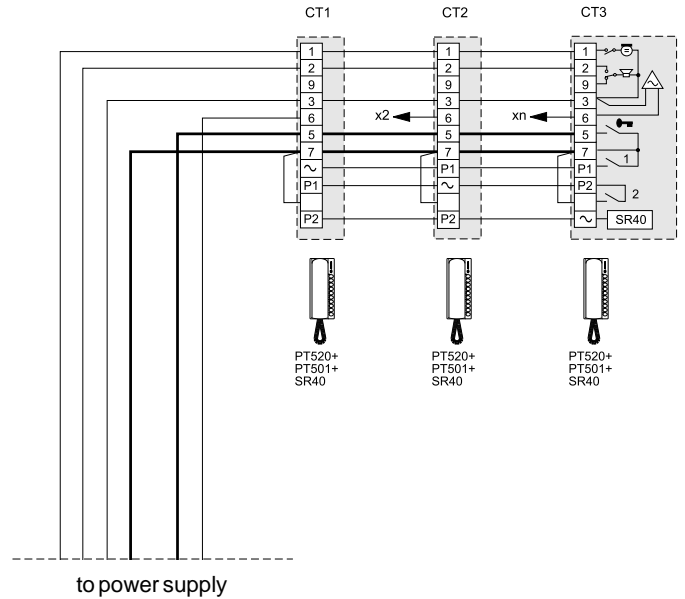
- To match with diagrams: Si 115L/5S; Si 125L/5S; Si 135L/5S

2 INTERCOMMUNICATING INTERCOMS



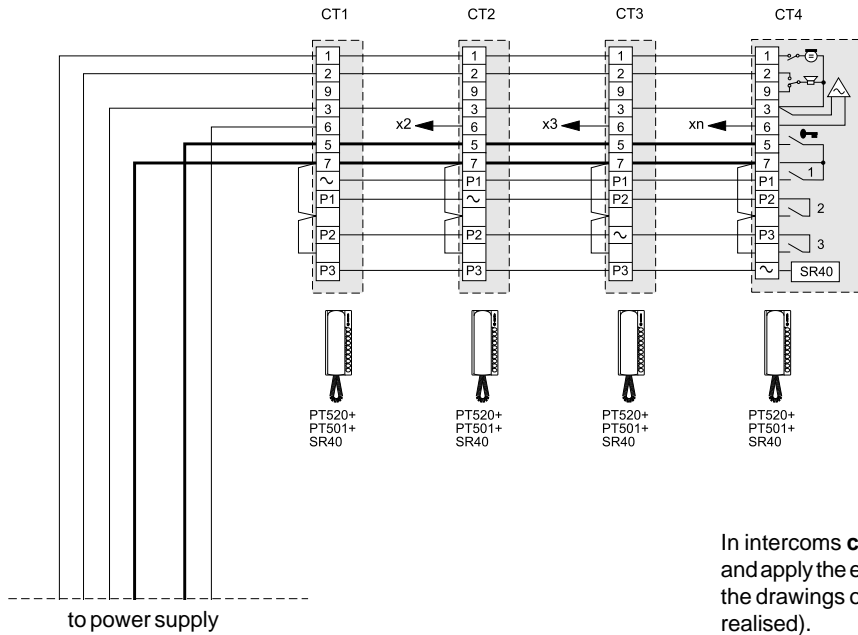
In intercoms **cut the jumper W1** which connects terminals 3 and 7 and apply the electronic buzzer SR40 or SR41 (for the application see the drawings on the page that illustrates the electrical diagram to be realised).

3 INTERCOMMUNICATING INTERCOMS



In intercoms **cut the jumper W1** which connects terminals 3 and 7 and apply the electronic buzzer SR40 or SR41 (for the application see the drawings on the page that illustrates the electrical diagram to be realised).

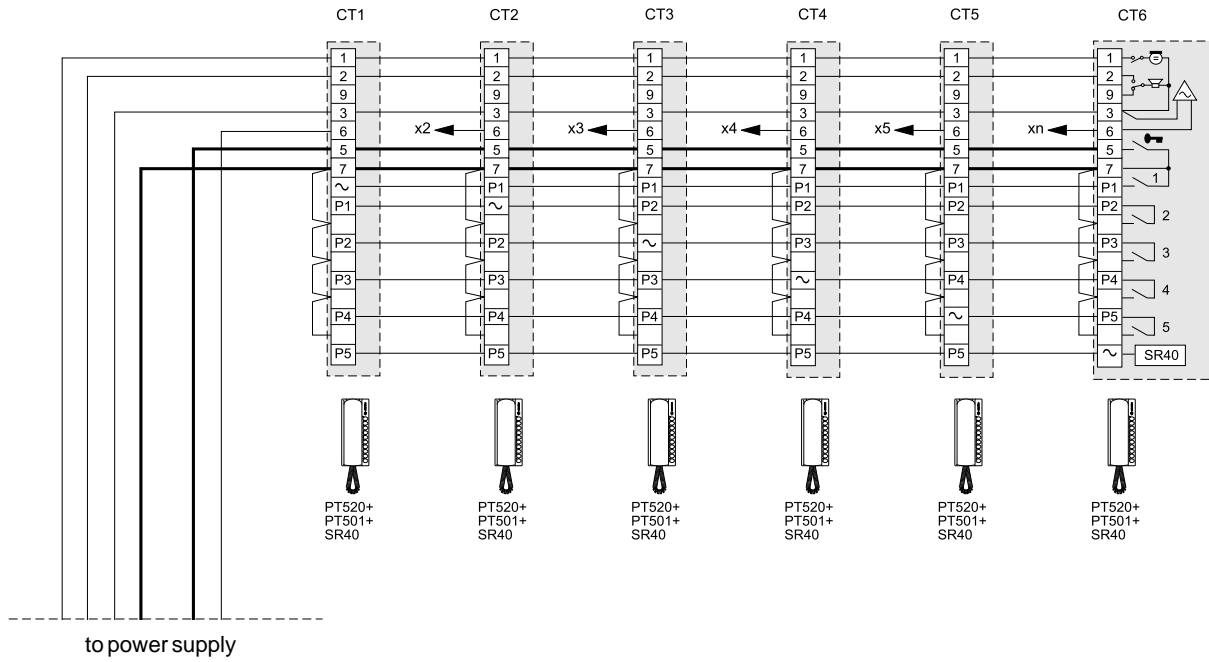
4 INTERCOMMUNICATING INTERCOMS



In intercoms **cut the jumper W1** which connects terminals 3 and 7 and apply the electronic buzzer SR40 or SR41 (for the application see the drawings on the page that illustrates the electrical diagram to be realised).

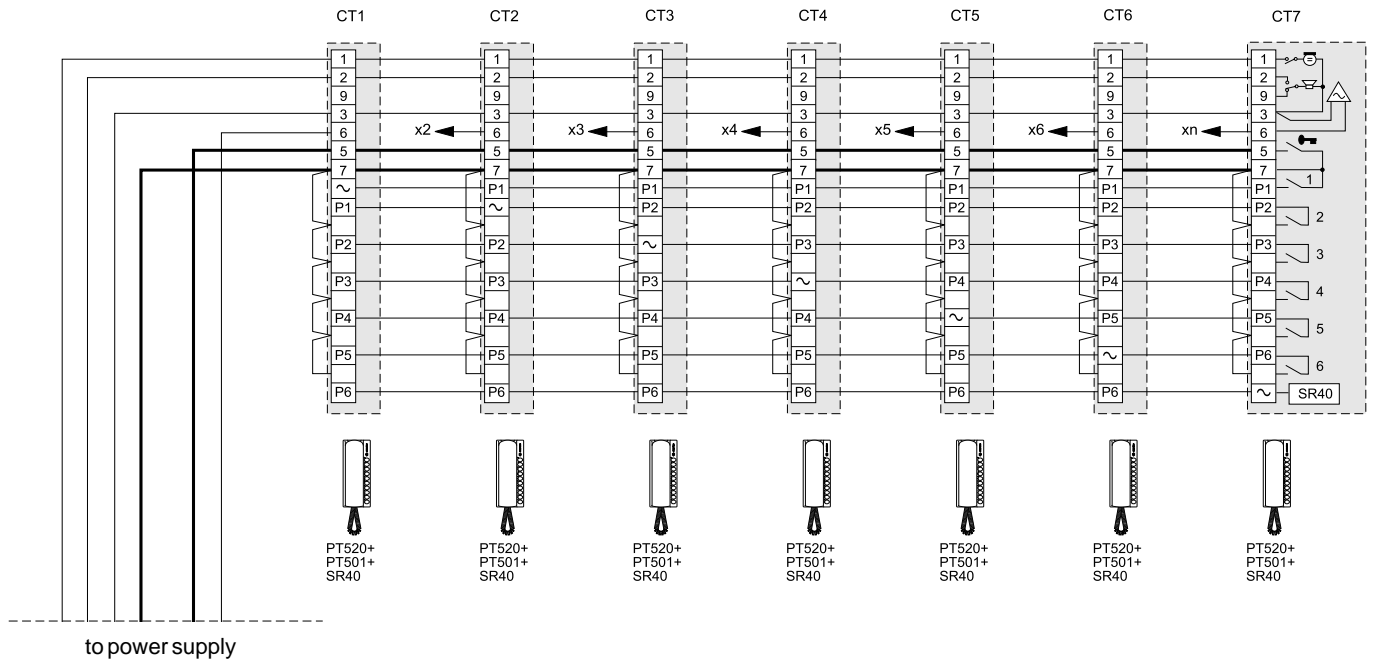


6 INTERCOMMUNICATING INTERCOMS



In intercoms cut the jumper W1 which connects terminals 3 and 7 and apply the electronic buzzer SR40 or SR41 (for the application see the drawings on the page that illustrates the electrical diagram to be realised).

7 INTERCOMMUNICATING INTERCOMS



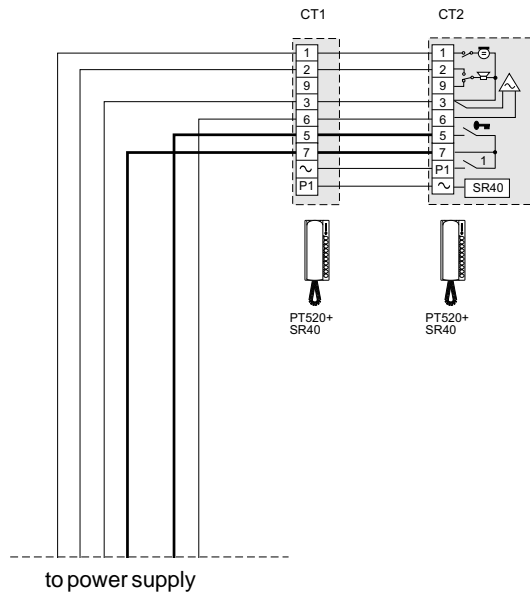
In intercoms cut the jumper W1 which connects terminals 3 and 7 and apply the electronic buzzer SR40 or SR41 (for the application see the drawings on the page that illustrates the electrical diagram to be realised).



APPLICATION DIAGRAMS FOR INTERCOMMUNICATING SYSTEMS WITH COMMON ALTERNATE CURRENT CALL FROM EXTERNAL STATION AND ELECTRONIC CALL FOR EXTENSIONS

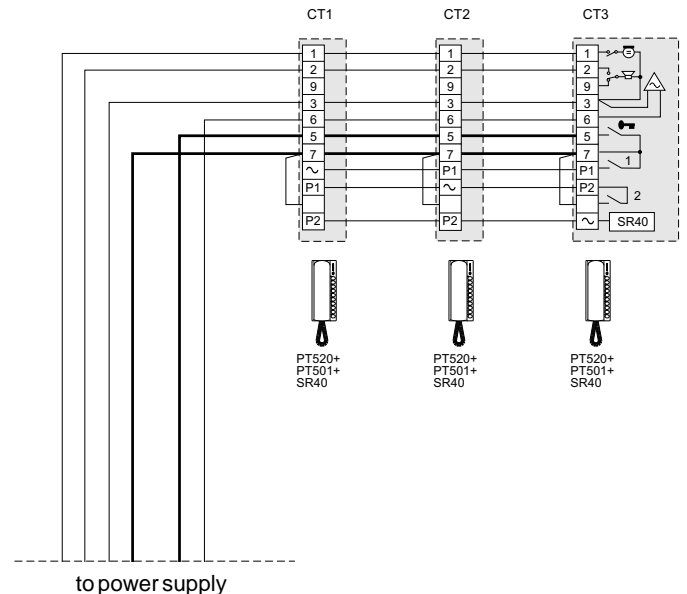
- To match with diagrams: Si 111L/5M; Si 121L/5M; Si 131L/5M

2 INTERCOMMUNICATING INTERCOMS



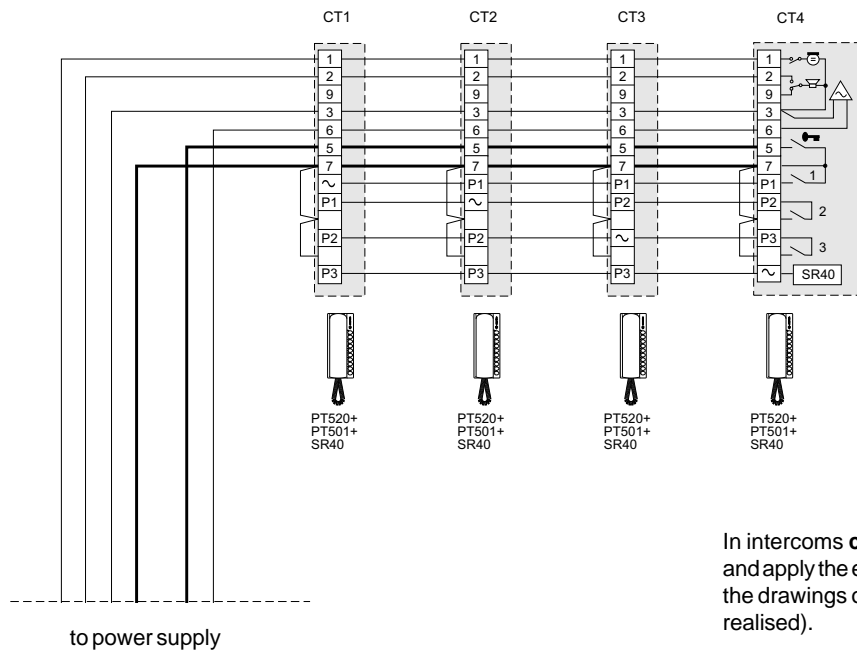
In intercoms **cut the jumper W1** which connects terminals 3 and 7 and apply the electronic buzzer SR40 or SR41 (for the application see the drawings on the page that illustrates the electrical diagram to be realised).

3 INTERCOMMUNICATING INTERCOMS



In intercoms **cut the jumper W1** which connects terminals 3 and 7 and apply the electronic buzzer SR40 or SR41 (for the application see the drawings on the page that illustrates the electrical diagram to be realised).

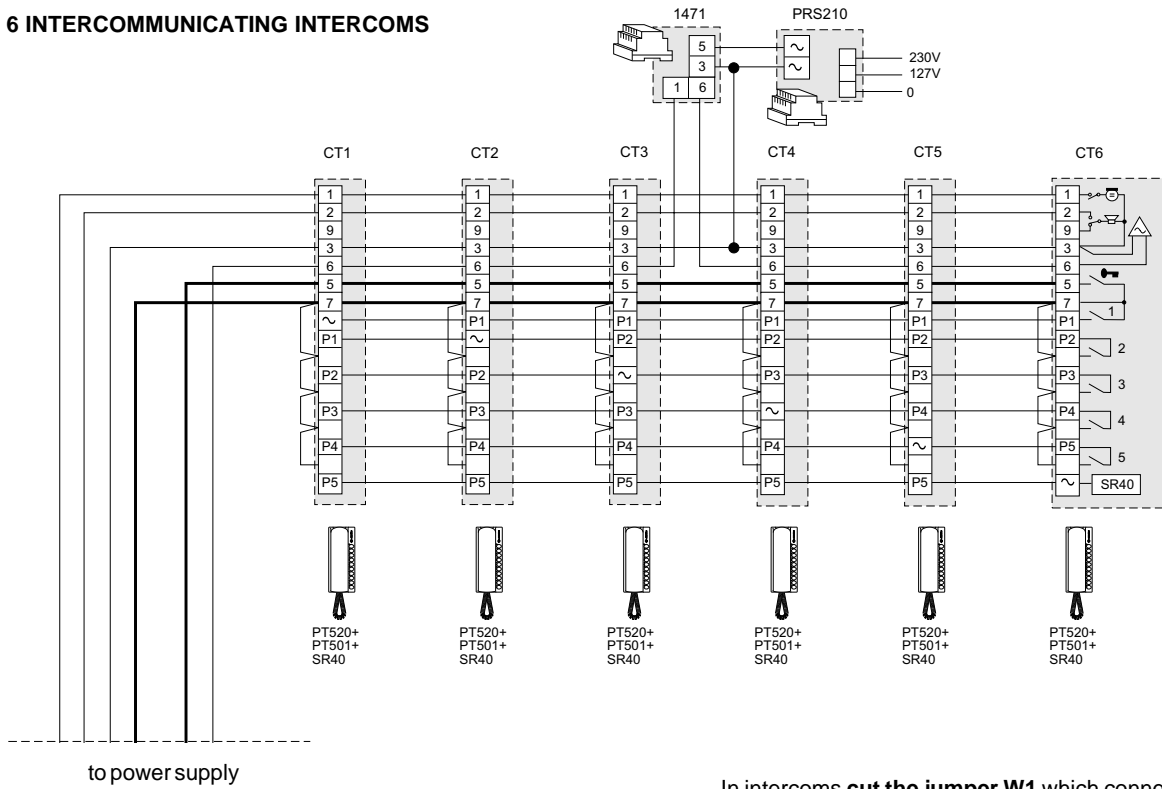
4 INTERCOMMUNICATING INTERCOMS



In intercoms **cut the jumper W1** which connects terminals 3 and 7 and apply the electronic buzzer SR40 or SR41 (for the application see the drawings on the page that illustrates the electrical diagram to be realised).

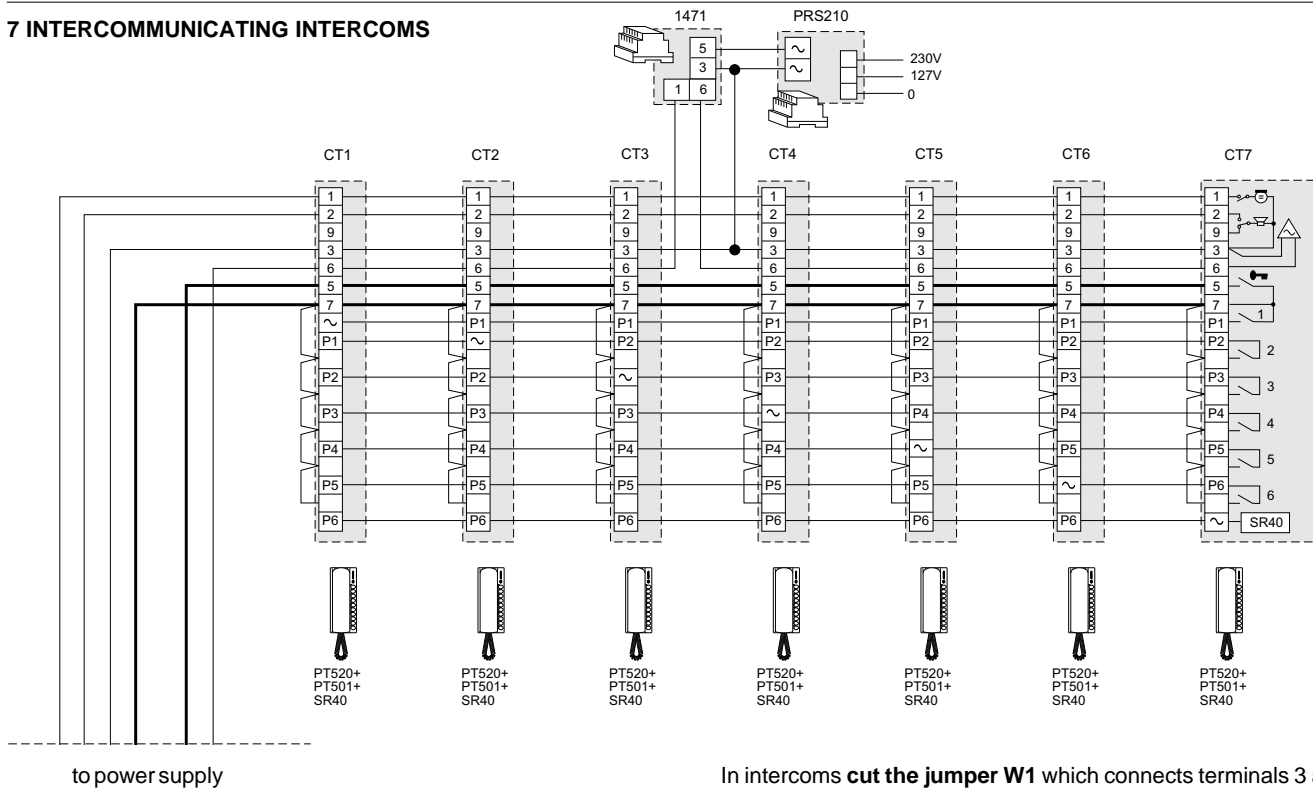


6 INTERCOMMUNICATING INTERCOMS



In intercoms **cut the jumper W1** which connects terminals 3 and 7 and apply the electronic buzzer SR40 or SR41 (for the application see the drawings on the page that illustrates the electrical diagram to be realised).

7 INTERCOMMUNICATING INTERCOMS



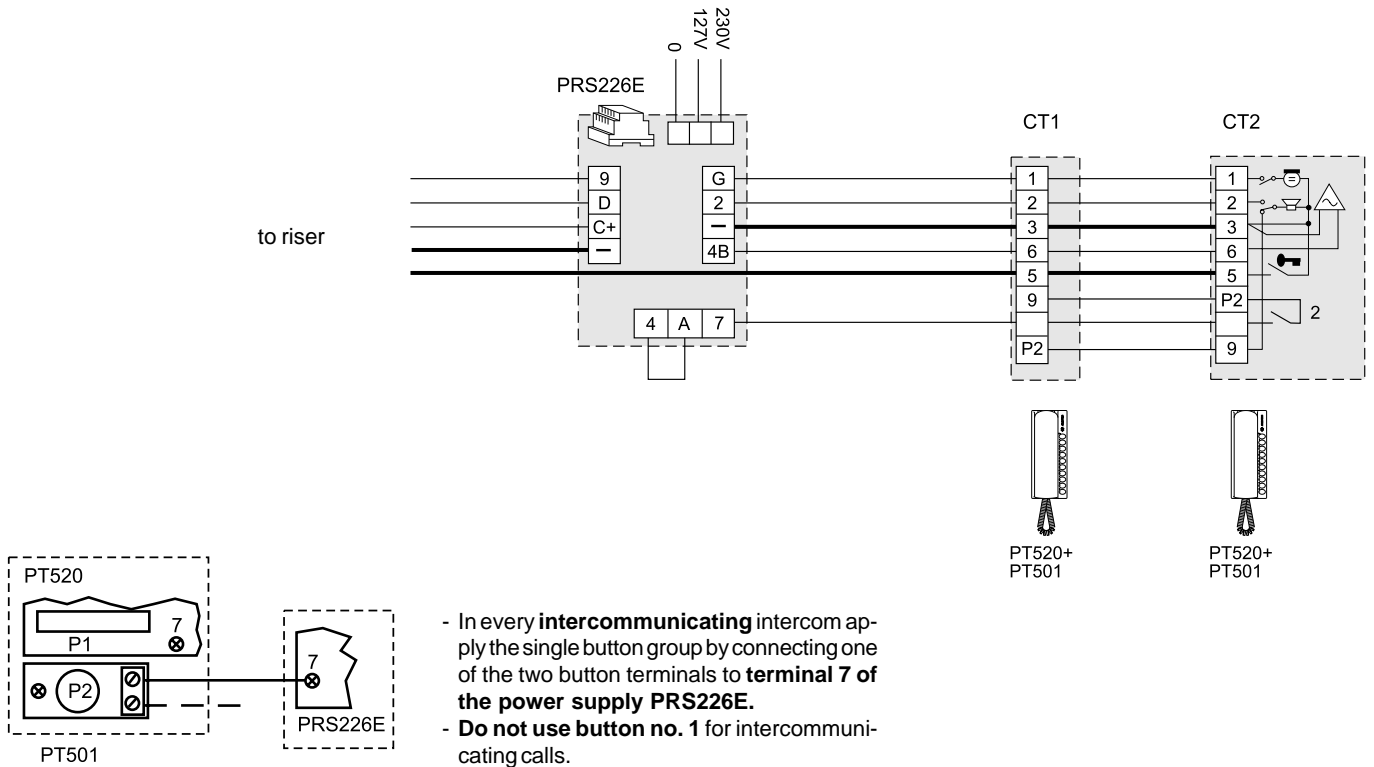
In intercoms **cut the jumper W1** which connects terminals 3 and 7 and apply the electronic buzzer SR40 or SR41 (for the application see the drawings on the page that illustrates the electrical diagram to be realised).



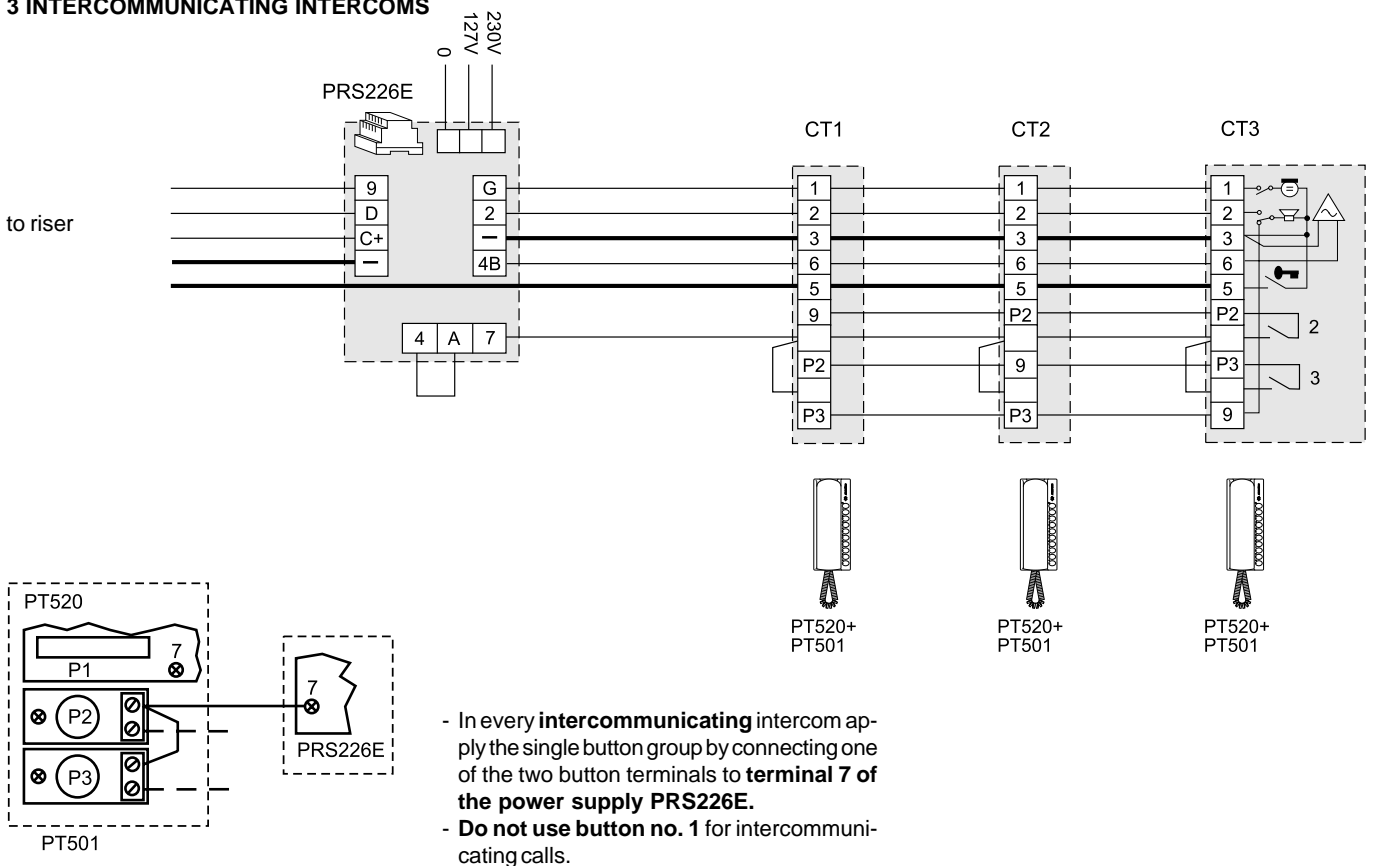
APPLICATION DIAGRAMS FOR ONE-WAY INTERCOMMUNICATING SERVICES IN APARTMENT BUILDING SYSTEMS. ALTERNATE CURRENT CALL FROM THE DOOR STATION AND ELECTRONIC FOR EXTENSIONS

- To match with diagrams: Si11MO/1; Si11MO/2; Si12MO/1; Si13MO/1; Si16MO/1; Si17MO/1 (example of application on page 61 - Si11MO/3).

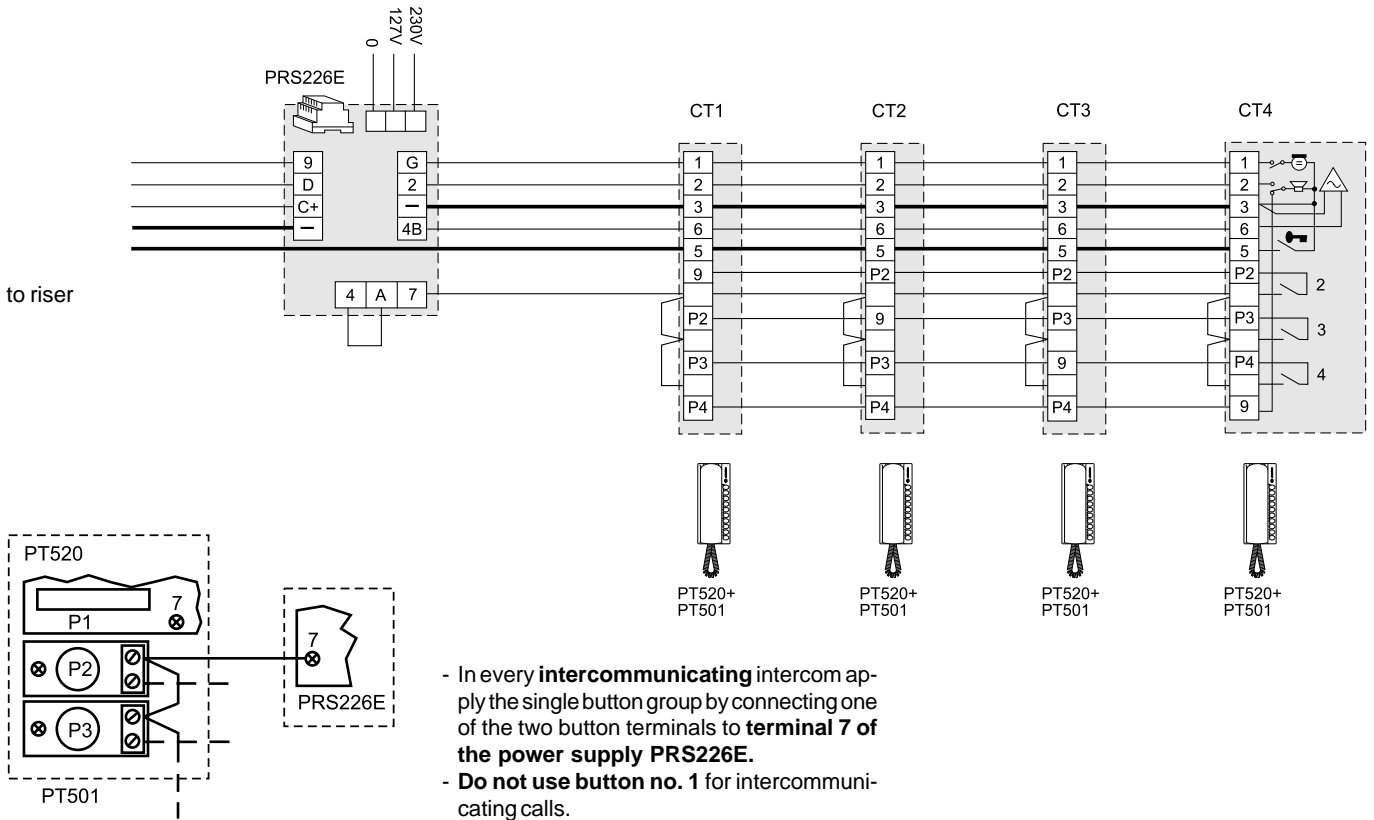
2 INTERCOMMUNICATING INTERCOMS



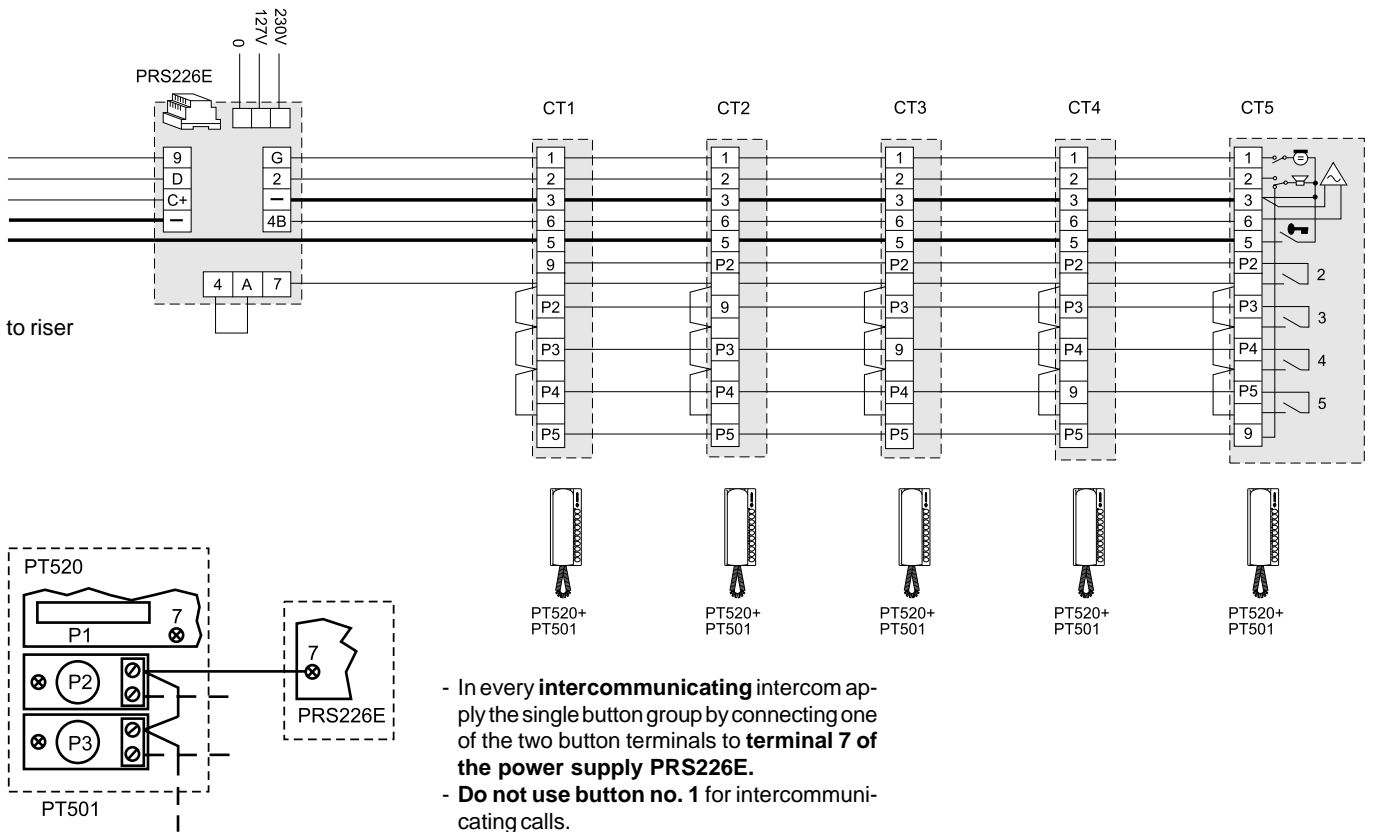
3 INTERCOMMUNICATING INTERCOMS



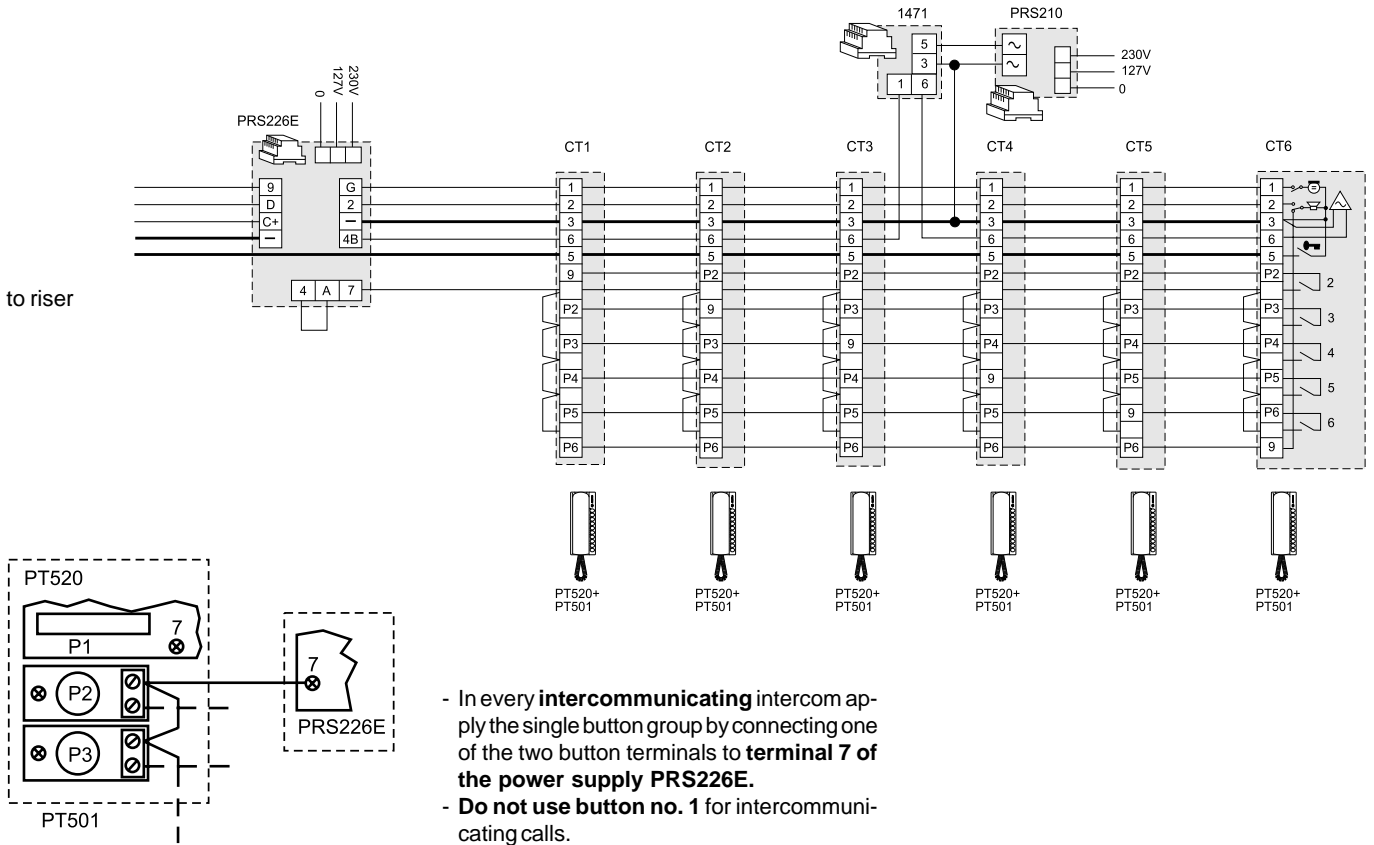
4 INTERCOMMUNICATING INTERCOMS



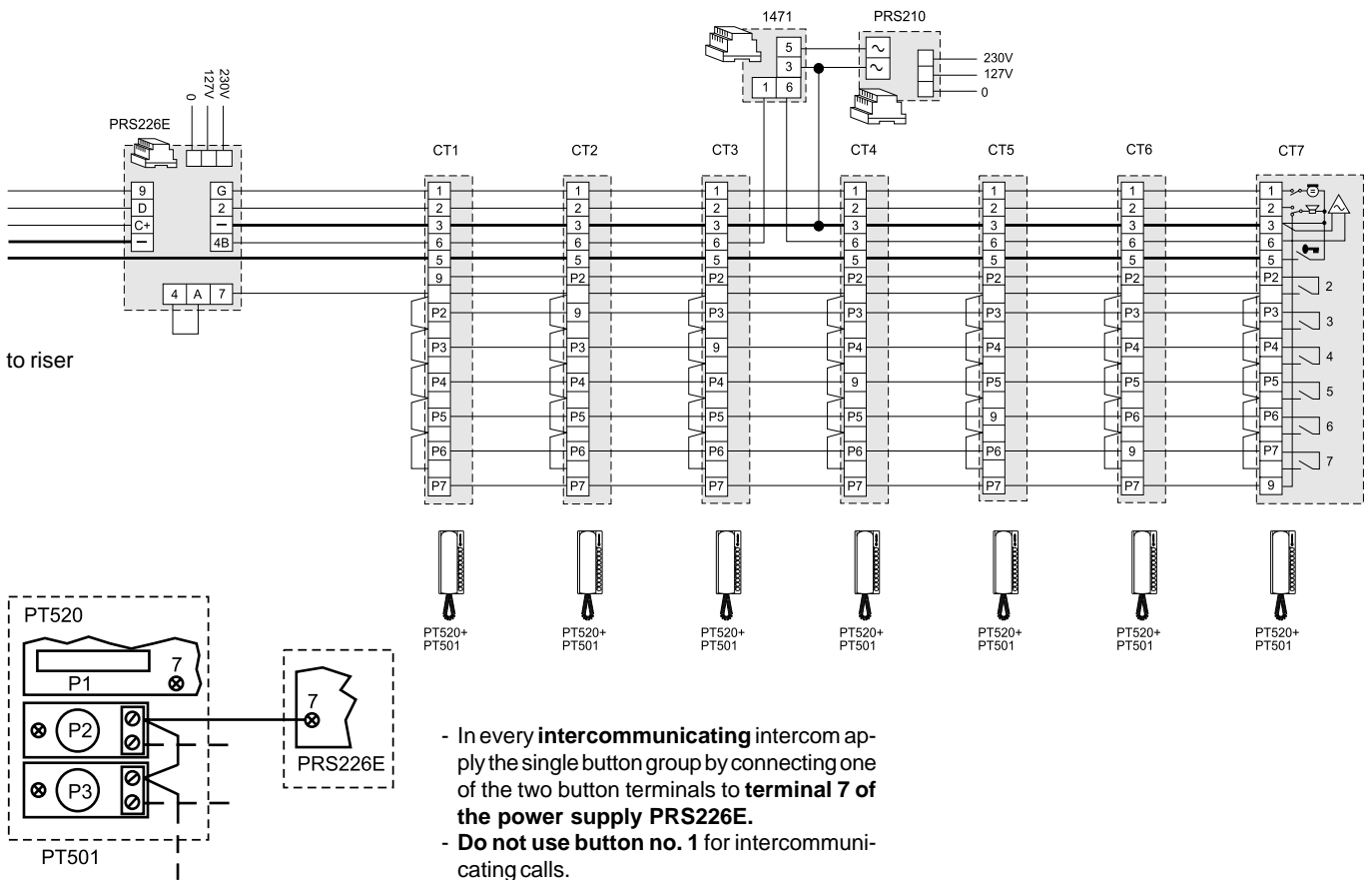
5 INTERCOMMUNICATING INTERCOMS



6 INTERCOMMUNICATING INTERCOMS



7 INTERCOMMUNICATING INTERCOMS

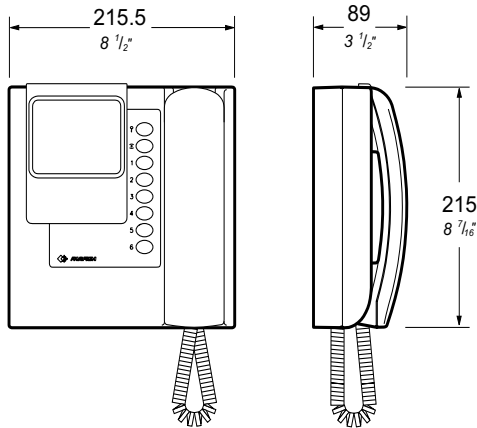


INDEX	Page
Internal stations	72
- Project series videointercoms	72
- PuntoVirgola series videointercoms	78
External door stations	81
- Mody series push-button panels	81
- Matrix series push-button panels	86
Power supply and control units	90
Service modules	90
Installation instructions	91
Working instructions	94
Troubleshooting	94
Installation diagrams	95
- Si 311O/1 One-way video intercom connection with multi-core cable art.1304	96
- Si 311O/14 One-way video intercom system with long distance between video intercom and main power supply	97
- Si 31MO/1 Video intercom system connected to one external door station	99
- Si 31MC/1 Mixed intercom and video intercom system connected to one external door station	101
- Si 31MO/2 Video intercom system connected to one external door station with surveillance camera	103
- Si 32MO/1 Video intercom system connected to two external door stations	105
- Si 32MO/2 Video intercom system connected to two external door stations, one of which only audio	107
- Si 33MO/1 Video intercom system connected to three external door stations	109
- Si 33MO/2 Video intercom system connected to three external door stations, one of which only audio	111
- Si 33MO/7 Video intercom system connected to three external door stations, two of which only audio	113
- Si 36MO/2 Video intercom system with secondary video stations and 1 main common video station (multiple entrance)	115
- Si 36MO/3 Video intercom system with secondary door stations only audio and 1 main common video station (multiple entrance)	117
- Si 36MO/4 Video intercom system with secondary video stations and 1 main common station only audio (multiple entrance)	119
- Si 36MO/5 Video intercom system with one-way secondary door stations only audio and 1 main common video station (multiple entrance)	121
- Si 37MO/1 Video intercom system with secondary video stations and 2 main common video stations (multiple entrance)	123
Additional diagrams	124
- One-way	126
- Multi-way	137



INTERNAL STATIONS

Videointercoms Project series



PT5160. Two-colour flat tube videointercom with audio-video privacy, electronic microphone, differentiated double electronic ringing sounds (modulated and continuous note) and terminal board for the connection to the wall-bracket. With two buttons, one for control switch ON and one for door lock release, and 6 supplementary buttons, that can be added for additional services such as: control switch ON, intercommunicating calls, stair lights, door lock release, etc. The buttons are included in the kit of the videointercom. The maximum acceptable current to the button terminals is 60mA. For higher currents use relay unit art. 1471. It can be installed on the wall (with no built-in) by using the wall-bracket **WB5100** or **WB5160**. For particular needs it is possible to separate the common of the buttons labelled **P4**, **P5** and **P6** by cutting the **W1** jumper on the wall-bracket. The buttons have the **2C** terminal in common. In this case the maximum acceptable current to the three buttons is 0.5A.

PT5160W. This model has the same features as the previous one, but with a white finish.

Technical data

Power Supply	18÷24Vdc
Operating current	0.35A
Video tube	4" FLAT CRT
Television standard	625 lines
Horizontal frequency	15625Hz
Vertical frequency	50Hz
Bandwidth	>5MHz
Video signal on 75Ω	0.8÷1.5Vpp
Starting up time	2÷4 sec.
Operating temperature	0°÷+50°C
Max. permissible humidity	90%RH

PT5160W-LCD. Version with colour LCD screen videointercom **PT5160W**.

Note: This version is applied to all video installation diagrams with coaxial cable.

Technical data

Power Supply	18÷24Vdc
Operating current	0.4A
Screen	4" LCD
Television standard	PAL
Horizontal frequency	15625Hz
Vertical frequency	50Hz
Bandwidth	>5MHz
Video signal on 75Ω	0.8÷1.5Vpp
Starting up time	1 sec.
Operating temperature	0°÷+50°C
Max. permissible humidity	90%RH

Wall-brackets for the PT5160, PT5160W and PT5160W-LCD videointercoms.

WB5100. The wall bracket includes a terminal board for connection to the system, it is to be used when installing 2 - button videointercoms (control switch-ON and door lock release), with a one call.

Terminals

- 1 Video signal input 0.8÷1.5Vpp
- 2 General ground
- 3 Video ground
- 4 Control switch ON - button
- 8 Positive power supply output for video floor distributors 12Vdc
- 9 Door lock release - button
- 10 Call from the door station (180mA)
- 11 Audio ground
- 12 Microphone output
- 13 Speaker and automatic cancel
- 14 Positive power supply input 18÷24Vdc
- V Not connected

WB5160. The wall bracket includes 2 terminal boards for connection to the system, it is to be used when installing videointercoms with extra buttons and/or 2 differentiated bells.

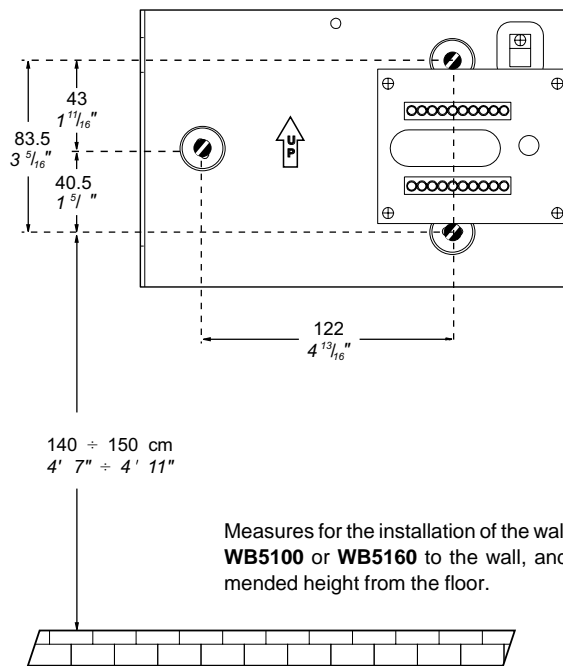
Located on the wall-bracket terminal board is a **J1** jumper positioned for the intercommunicating service (**position A**).

By using the **PT5160**, **PT5160W** and **PT5160W-LCD** videointercoms with multi-way systems without the intercommunicating service, the audio privacy can be restored by positioning the jumper **J1** in **B**.

Terminals

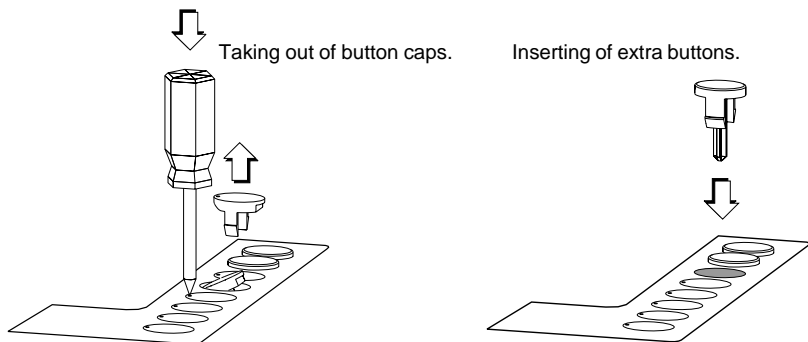
The terminals from 1 to 14 have the same functions and characteristics as the previous model.

- V Activation input for digital systems
- X1 AC power supply input 13Vac-0.35A
- X2 Intercommunicating call input (ground command)
- 1C Common for P1, P2 and P3 buttons
- 2C Common for P4, P5 and P6 buttons
- P1÷P6 Service buttons - max 60mA



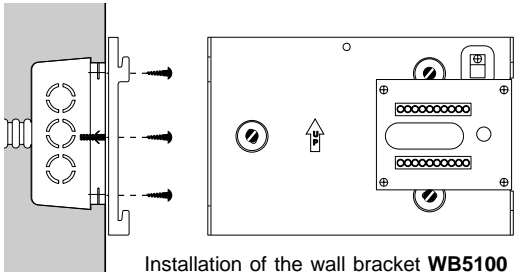
Measures for the installation of the wall bracket **WB5100** or **WB5160** to the wall, and recommended height from the floor.

Supplementary push-buttons installation

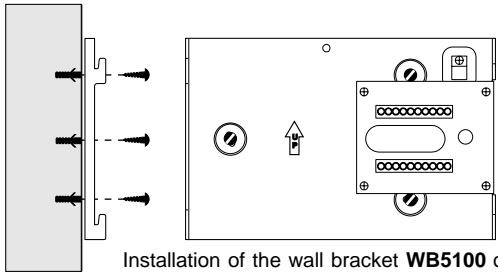


INTERNAL STATIONS

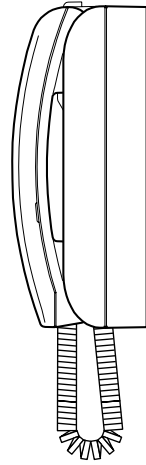
Videointercoms Project series



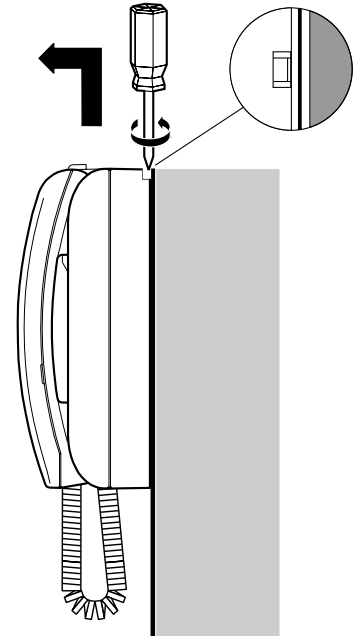
Installation of the wall bracket **WB5100** or **WB5160** to the wall, using a 83.5mm back box and one expansion plugs.



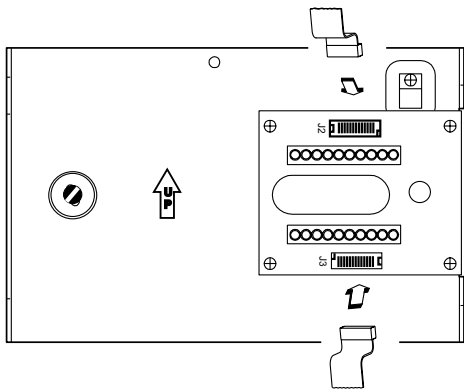
Installation of the wall bracket **WB5100** or **WB5160** to the wall, by means of expansion plugs.



Installation of videointercom onto the wall bracket.

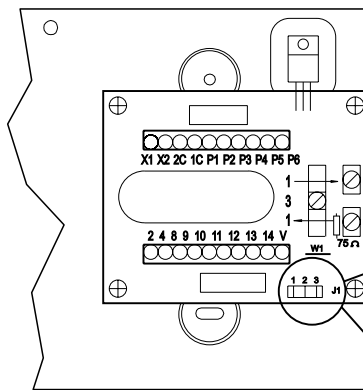


Dismounting of videointercom from the wall bracket.

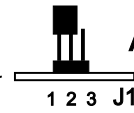


Plugging in of videointercom connectors to the terminal boards of wall bracket.

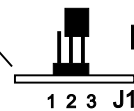
Audio privacy or intercommunicating service



WB 5160
TA 5160



A Position for the intercommunicating service.



B Position for the audio privacy.

TA5160. Table adapter for videointercoms PT5160, PT5160W and PT5160W-LCD.

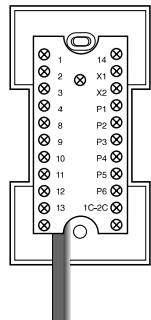
With 20 wires connection cable, junction box and bracket with 2 terminals board.

Terminals

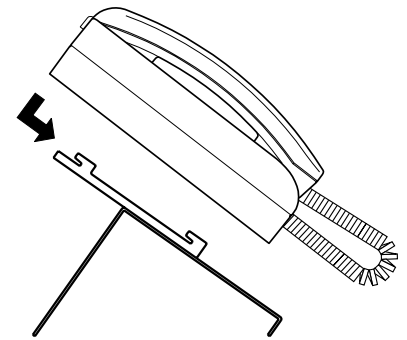
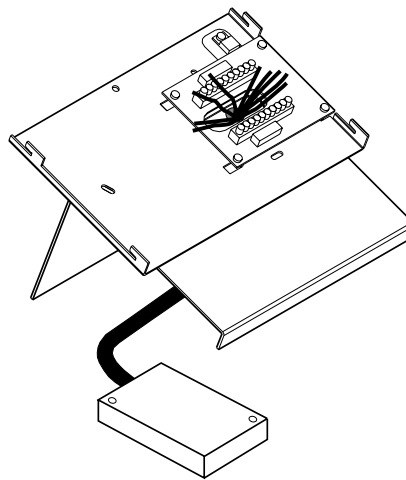
The terminals have the same numbers, functions and characteristics as those of wall bracket **WB5160**.

Mounting instruction

Make the connection of the cable to the terminals of the table adapter.
Make the connection of the conductors of the system to the junction box.
Plug-in the 2 flat cable to the table adapter.
Fasten the videointercom to the table adapter.



Junction box.

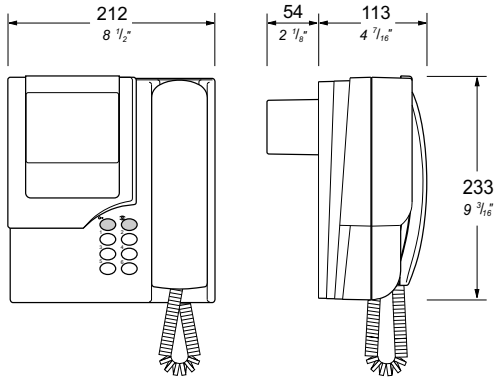


Installation of videointercom to the table adapter.



INTERNAL STATIONS

Videointercoms Project series



PT5660W. White colour videointercom with traditional cathode tube with audio-video privacy, electronic microphone, differentiated double electronic ringing sounds (modulated and continuous note) and terminal board for the connection to the wall-bracket. With two buttons, one for control switch ON and one for door lock release, and 6 supplementary buttons, that can be added for additional services such as: control switch ON, intercommunicating calls, stair lights, door lock release, etc. The buttons are included in the kit of the videointercom. The maximum acceptable current to the button terminals is 60mA. For higher currents use relay unit art. 1471.

It can be installed on the wall by using the wall-bracket art. **WB5600** or **WB5660** and the back-box art. **1283**. For particular needs it is possible to separate the common of the buttons labelled **P4**, **P5** and **P6** by cutting the **W1** jumper on the wall-bracket. The buttons have the **2C** terminal in common. In this case the maximum acceptable current to the three buttons is 0.5A.

Technical data

Power Supply	18÷24Vdc
Operating current	0.6A
Video tube	4.5" - 90°
Television standard	625 lines
Horizontal frequency	15625Hz
Vertical frequency	50Hz
Bandwidth	>5MHz
Video signal on 75Ω	0.8÷1.5Vpp
Starting up time	5÷7 sec.
Operating temperature	0°÷+50°C
Max. permissible humidity	90%RH

Wall-brackets for the PT5660W videointercoms.

WB5600. The wall bracket includes a terminal board for connection to the system, it is to be used when installing 2-button videointercoms (control switch-ON and door lock release), with a one call.

Terminals

- 1 Video signal input 0.8÷1.5Vpp
- 2 General ground
- 3 Video ground
- 4 Control switch ON - button
- 8 Positive power supply output for video floor distributors 12Vdc
- 9 Door lock release - button
- 10 Call from the door station (180mA)
- 11 Audio ground
- 12 Microphone output
- 13 Speaker and automatic cancel
- 14 Positive power supply input 18÷24Vdc
- V Not connected

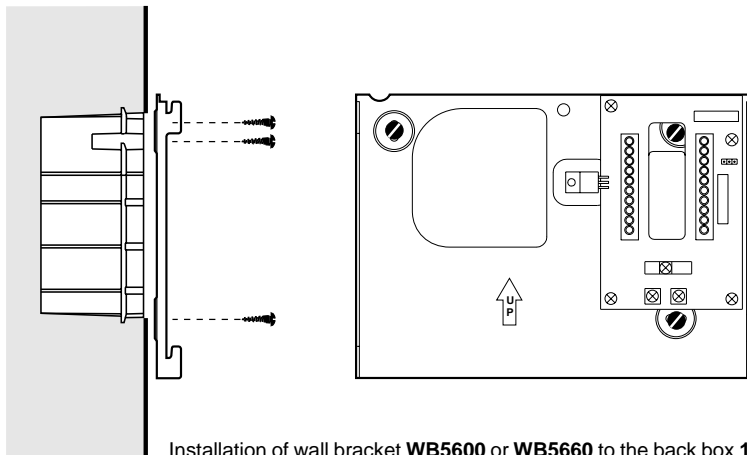
WB5660. The wall bracket includes 2 terminal boards for connection to the system, it is to be used when installing videointercoms with extra buttons and/or 2 differentiated bells. Located on the wall-bracket terminal board is a **J1** jumper positioned for the intercommunicating service (**position A**).

By using the **PT5660W** videointercoms with multi-way systems without the intercommunicating service, the audio privacy can be restored by positioning the jumper **J1** in **B**.

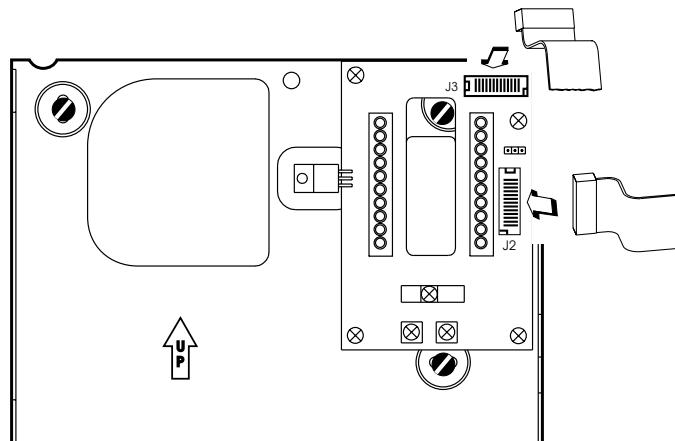
Terminals

The terminals from 1 to 14 have the same functions and characteristics as the previous model.

- V Activation input for digital systems
- X1 AC power supply input 13Vac-0.35A
- X2 Intercommunicating call input (ground command)
- 1C Common for P1, P2 and P3 buttons
- 2C Common for P4, P5 and P6 buttons
- P1÷P6 Service buttons - max 60mA



Installation of wall bracket **WB5600** or **WB5660** to the back box **1283**.

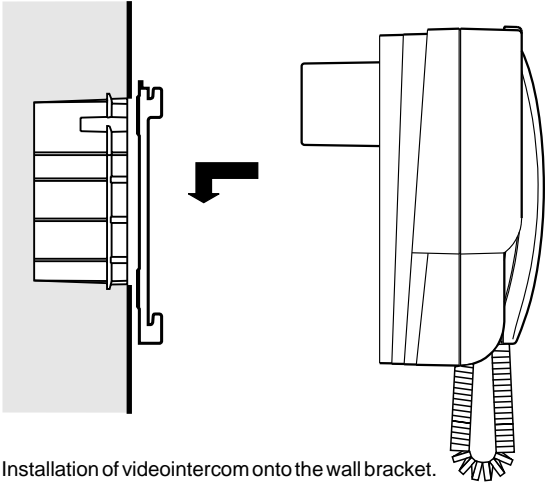


Plugging in of videointercom connectors to the terminal boards of wall bracket.

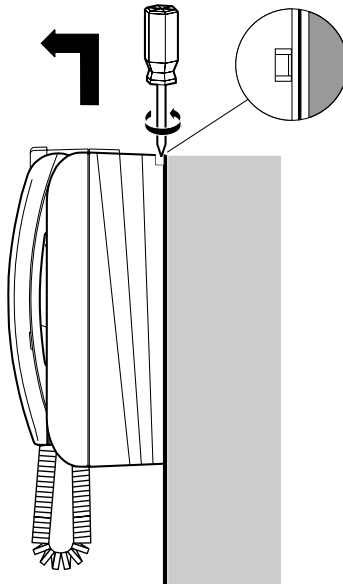


INTERNAL STATIONS

Videointercoms Project series

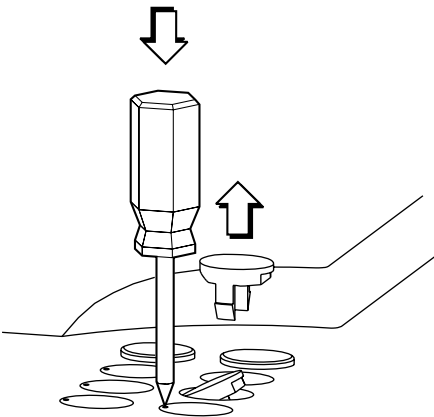


Installation of videointercom onto the wall bracket.

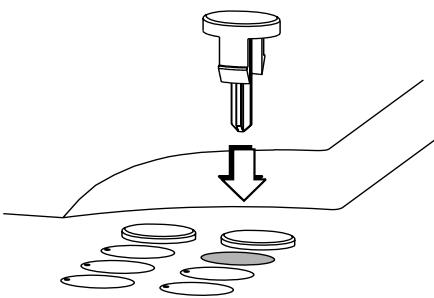


Dismounting of videointercom from the wall bracket.

Supplementary push-buttons installation



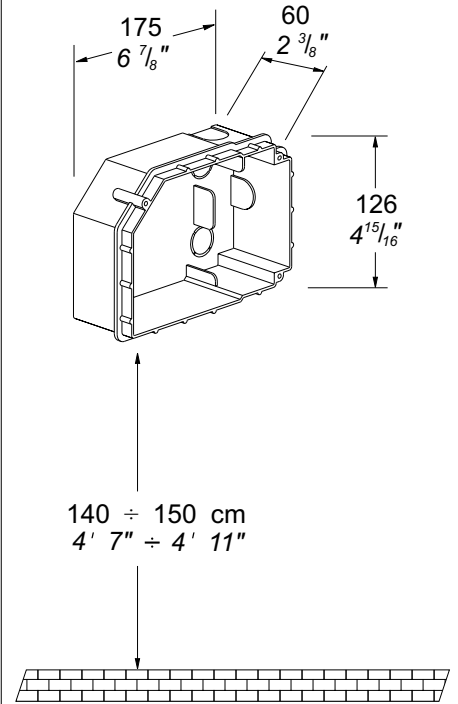
Taking out of button caps.



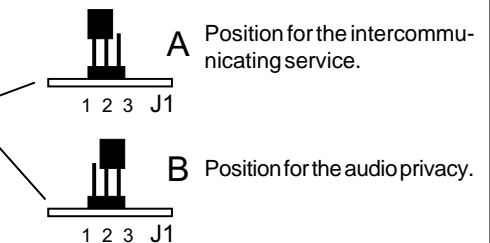
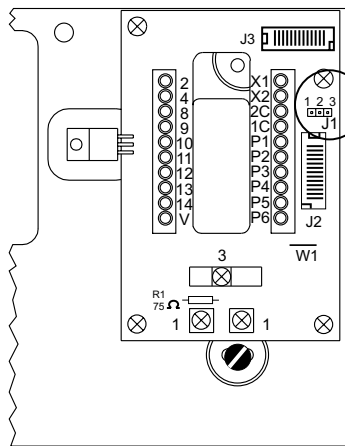
Inserting of extra buttons.

1283. Back-box for videointercoms PT5660W and PV1260.

Place the box on the wall at a height of about 1.5m (4' 11") from the floor keeping the front edges flush-mounted and vertical to the finished plaster.



Audio privacy or intercommunicating service

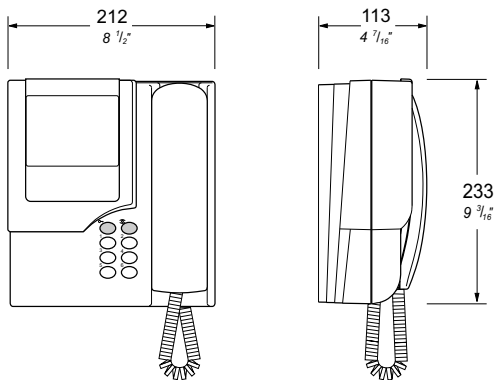


WB 5660



INTERNAL STATIONS

Videointercoms Project series



PT5860. Two-colour reflex videointercom with audio-video privacy, electronic microphone, differentiated double electronic ringing sounds (modulated and continuous note) and terminal board for the connection to the wall-bracket. With two buttons, one for control switch ON and one for door lock release, and 6 supplementary buttons, that can be added for additional services such as: control switch ON, intercommunicating calls, stair lights, door lock release, etc. The buttons are included in the kit of the videointercom. The maximum acceptable current to the button terminals is 60mA. For higher currents use relay unit art. 1471.

It can be installed on the wall by using the wall-bracket art. **WB5600** or **WB5660**. For particular needs it is possible to separate the common of the buttons labeled **P4**, **P5** and **P6** by cutting the **W1** jumper on the wall-bracket. The buttons have the **2C** terminal in common. In this case the maximum acceptable current to the three buttons is 0.5A.

PT5860W. This model has the same features as the previous one, but with a white finish.

Technical data

Power Supply	18÷24Vdc
Operating current	0.6A
Video tube	4.5" - 90°
Television standard	625 lines
Horizontal frequency	15625Hz
Vertical frequency	50Hz
Bandwidth	>5MHz
Video signal on 75Ω	0.8÷1.5Vpp
Starting up time	5÷7 sec.
Operating temperature	0°÷+50°C
Max. permissible humidity	90%RH

Wall-brackets for the PT5860 and PT5860W videointercoms.

WB5600. The wall bracket includes a terminal board for connection to the system, it is to be used when installing 2-button videointercoms (control switch-ON and door lock release), with a one call.

Terminals

- 1 Video signal input 0.8÷1.5Vpp
- 2 General ground
- 3 Video ground
- 4 Control switch ON - button
- 8 Positive power supply output for video floor distributors 12Vdc
- 9 Door lock release - button
- 10 Call from the door station (180mA)
- 11 Audio ground
- 12 Microphone output
- 13 Speaker and automatic cancel
- 14 Positive power supply input 18÷24Vdc
- V Not connected

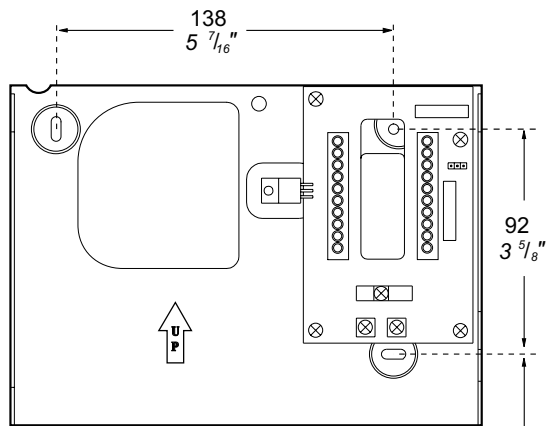
WB5660. The wall bracket includes 2 terminal boards for connection to the system, it is to be used when installing videointercoms with extra buttons and/or 2 differentiated bells. Located on the wall-bracket terminal board is a **J1** jumper positioned for the intercommunicating service (**position A**).

By using the **PT5860** and **PT5860W** videointercoms with multi-way systems without the intercommunicating service, the audio privacy can be restored by positioning the jumper **J1** in **B**.

Terminals

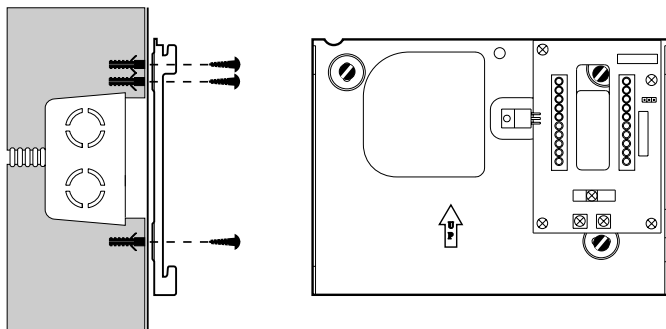
The terminals from 1 to 14 have the same functions and characteristics as the previous model.

- V Activation input for digital systems
- X1 AC power supply input 13Vac-0.35A
- X2 Intercommunicating call input (ground command)
- 1C Common for P1, P2 and P3 buttons
- 2C Common for P4, P5 and P6 buttons
- P1÷P6 Service buttons - max 60mA



Measures for the installation of the wall bracket **WB5600** or **WB5660** to the wall, and recommended height from the floor.

140 ÷ 150 cm
4' 7" ÷ 4' 11"

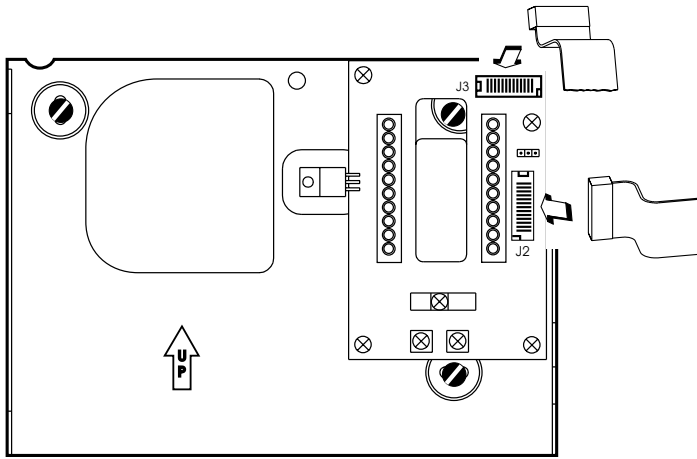


Installation of the wall bracket **WB5600** or **WB5660** to the wall, by means of expansion plugs.

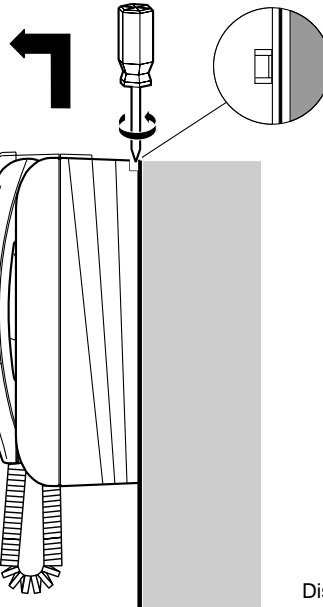


INTERNAL STATIONS

Videointercoms Project series

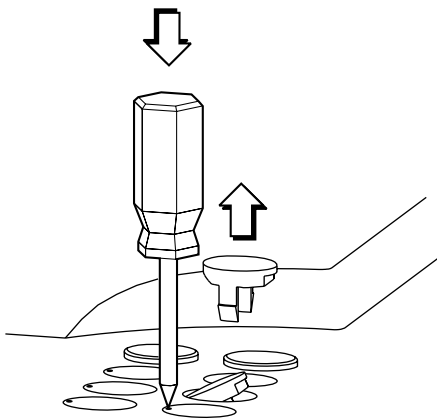


Plugging in of videointercom connectors to the terminal boards of wall bracket.

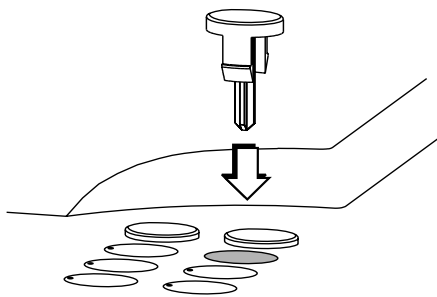


Installation of videointercom onto the wall bracket.

Supplementary push-buttons installation

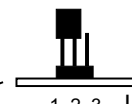
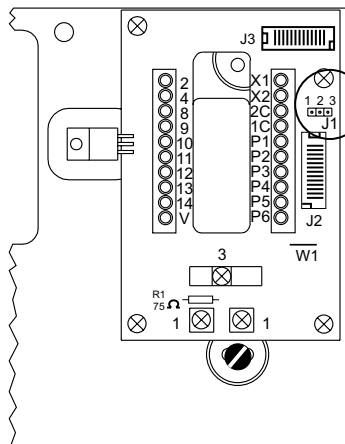


Taking out of button caps.

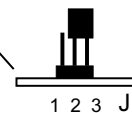


Inserting of extra buttons.

Audio privacy or intercommunicating service



A Position for the intercommunicating service.



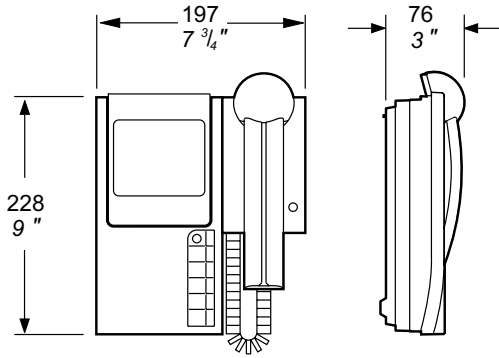
B Position for the audio privacy.

WB 5660



INTERNAL STATIONS

Videointercoms PuntoVirgola series



PV2160. Two-colour flat tube videointercom with audio-video privacy, electronic microphone, differentiated double electronic ringing sounds (modulated and continuous note) and terminal board for the connection to the wall-bracket. With two buttons, one for control switch ON and one for door lock release, and 5 supplementary buttons, that can be added for additional services such as: control switch ON, intercommunicating calls, stair lights, door lock release, etc. The buttons are included in the kit of the videointercom. The maximum acceptable current to the button terminals is 60mA. For higher currents use relay unit art.1471. It can be installed on the wall (with no built-in) by using the wall-bracket **WB2100** or **WB2160**. For particular needs it is possible to separate the common of the buttons labeled **T4** and **T5** by cutting the **W1** jumper on the wall-bracket. The buttons have the **2C** terminal in common. In this case the maximum acceptable current to the three buttons is 0.5A.

PV2160W. This model has the same features as the previous one, but with a white finish.

Technical data

Power Supply	18÷24Vdc
Operating current	0.35A
Video tube	4" FLAT CRT
Television standard	625 lines
Horizontal frequency	15625Hz
Vertical frequency	50Hz
Bandwidth	>5MHz
Video signal on 75Ω	0.8÷1.5Vpp
Starting up time	2÷4 sec.
Operating temperature	0°÷+50°C
Max. permissible humidity	90%RH

Wall-brackets for the PV2160 and PV2160W videointercoms.

WB2100. The wall bracket includes a terminal board for connection to the system, it is to be used when installing 2-button videointercoms (control switch ON and door lock release), with a one call.

Terminals

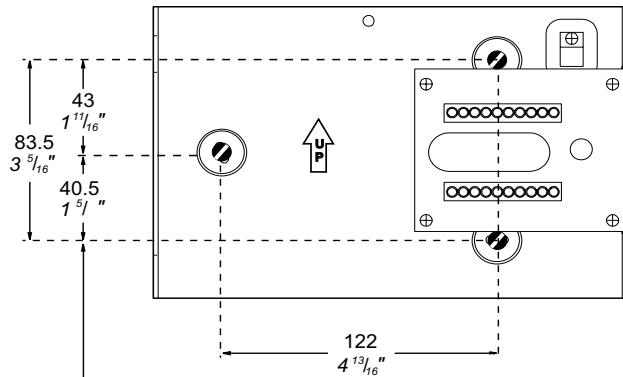
- 1 Video signal input 0.8÷1.5Vpp
- 2 General ground
- 3 Video ground
- 4 Control switch ON - button
- 8 Positive power supply output for video floor distributors 12Vdc
- 9 Door lock release - button
- 10 Call from the door station (180mA)
- 11 Audio ground
- 12 Microphone output
- 13 Speaker and automatic cancel
- 14 Positive power supply input 18÷24Vdc
- V Not connected

WB2160. The wall bracket includes 2 terminal boards for connection to the system, it is to be used when installing videointercoms with extra buttons and/or 2 differentiated bells. Located on the wall-bracket terminal board is a **J1** jumper positioned for the intercommunicating service (**position A**).

By using the **PV2160** and **PV2160W** videointercoms with multi-way systems without the intercommunicating service, the audio privacy can be restored by positioning the jumper **J1** in **B**.

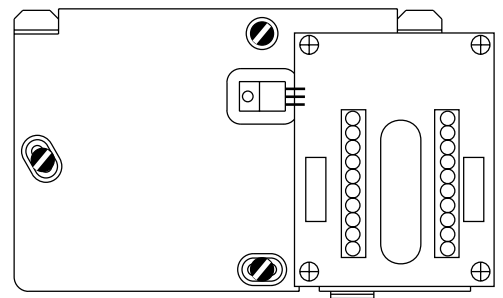
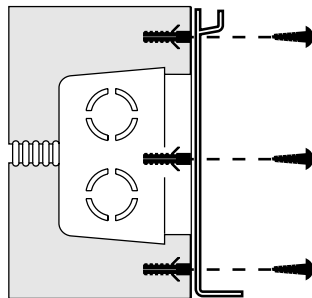
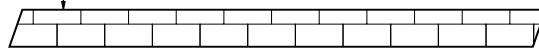
Terminals

- The terminals from 1 to 14 have the same functions and characteristics as the previous model.
- V Activation input for digital systems
 - X1 AC power supply input 13Vac-0.35A
 - X2 Intercommunicating call input (ground command)
 - 1C Common for T1, T2 and T3 buttons
 - 2C Common for T4 and T5 buttons
 - T1÷T5 Service buttons - max 60mA
 - P1 Not connected



140 ÷ 150 cm
4' 7" ÷ 4' 11"

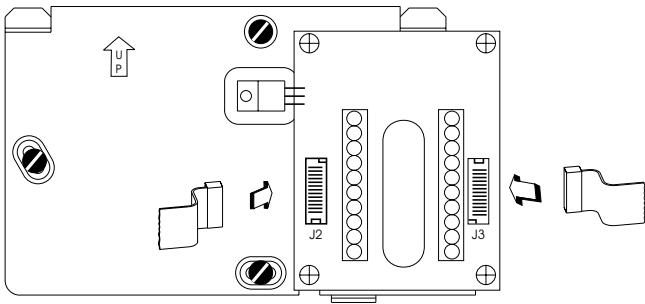
Measures for the installation of the wall bracket **WB2100** or **WB2160** to the wall, and recommended height from the floor.



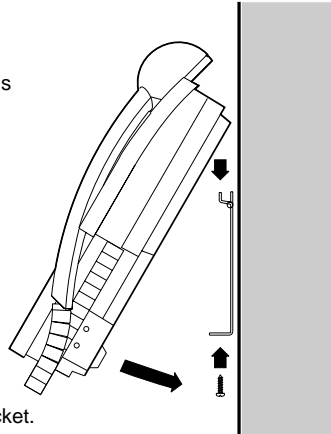
Installation of the wall bracket **WB2100** or **WB2160** to the wall, by means of expansion plugs.



Videointercoms PuntoVirgola series

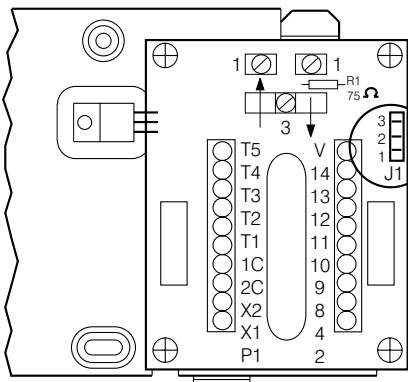


Plugging in of videointercom connectors to the terminal boards of wall bracket.

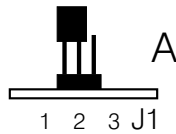


Installation of videointercom onto the wall bracket.

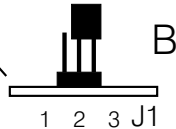
Audio privacy or intercommunicating service



WB2160

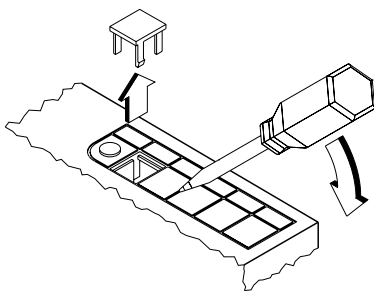


Position for the intercommunicating service.

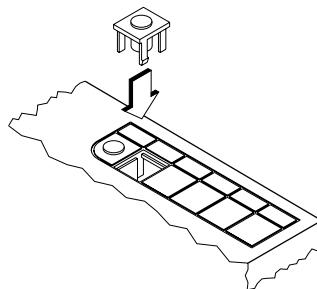


Position for the audio privacy.

Supplementary push-buttons installation

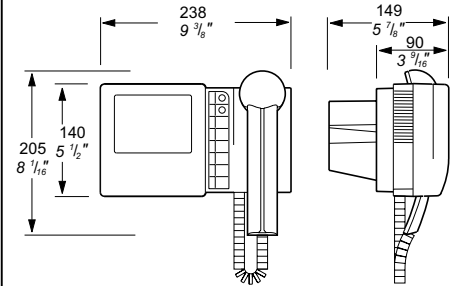


Taking out of button caps.



Inserting of extra buttons.

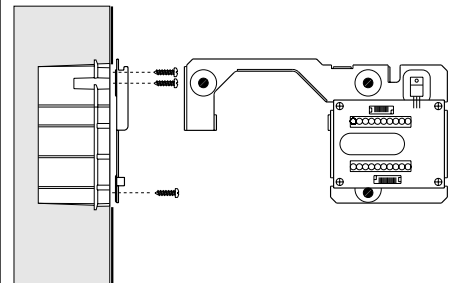
Videointercoms PuntoVirgola series



PV1260. Two-colour videointercom with traditional cathode tube with audio-video privacy, electronic microphone, differentiated double electronic ringing sounds (modulated and a continuous note) and terminal board for the connection to the wall-bracket. With 2 buttons, one for control switch ON and the other for door lock release and 6 supplementary service buttons that can be added for additional services such as: control switch ON, intercommunicating calls, stair lights, door lock release, etc. The buttons are included in the kit of the videointercom. The maximum acceptable current to the buttons is 60mA. For higher currents use the art.1471 relay unit. It can be installed on the wall using the wall-bracket **WB1200** or **WB1260** and the back-box art.1283. For particular needs it is possible to separate the common of the buttons labelled **P4**, **P5** and **P6** by cutting the **W1** jumper located on the connecting terminal board. These buttons have in common the **C2** terminal. In this case the maximum acceptable current to the buttons is 0.5A.

Technical data

Power Supply	18÷24Vdc
Operating current	0.6A
Video tube	4.5"-90°
Television standard	625 lines
Horizontal frequency	15625Hz
Vertical frequency	50Hz
Band width	>5MHz
Video signal on 75Ω	0.8÷1.5Vpp
Starting up time	5÷7 sec.
Operating temperature	0°÷+50°C
Max. permissible humidity	90%RH

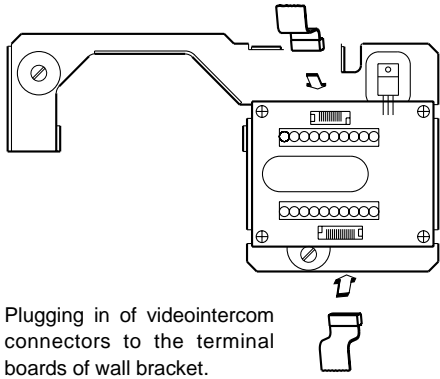


Installation of wall bracket **WB1200** or **WB1260** to the back box **1283**.

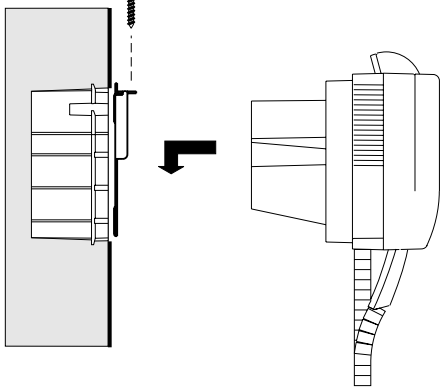


INTERNAL STATIONS

Videointercoms PuntoVirgola



Plugging in of videointercom connectors to the terminal boards of wall bracket.



Installation of videointercom onto the wall bracket.

Wall-brackets for the PV1260 video-intercom.

WB1200. The wall bracket includes a terminal board for connection to the system, it is to be used when installing 2 - button videointercoms (control switch-ON and door lock release), with a one call.

Terminals

- 1 Video signal input 0.8÷1.5Vpp
- 2 General ground
- 3 Video ground
- 4 Control switch ON - button
- 8 Positive power supply output for video floor distributors 12Vdc
- 9 Door lock release - button
- 10 Call from the door station (180mA)
- 11 Audio ground
- 12 Microphone output
- 13 Speaker and automatic cancel
- 14 Positive power supply input 18÷24Vdc-0.6A
- V Not connected

WB1260. The wall bracket includes 2 terminal boards for connection to the system, it is to be used when installing videointercoms with extra buttons and/or 2 differentiated bells. Located on the wall-bracket terminal board is a **J1** jumper positioned for the intercommunicating service (**position A**).

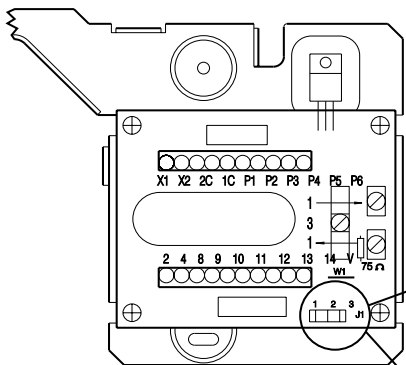
By using the **PV1260** videointercom with multi-way systems without the intercommunicating service, the audio privacy can be restored by positioning the jumper **J1** in **B**.

Terminals

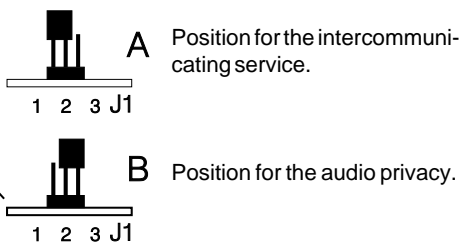
The terminals from 1 to 14 have the same functions and characteristics as the previous model.

- V Activation input for digital systems
- X1 AC power supply input 13Vac-0.35A
- X2 Intercommunicating call input (ground command)
- 1C Common for P1, P2 and P3 buttons
- 2C Common for P4, P5 and P6 buttons
- P1÷P6 Service buttons - max 60mA

Audio privacy or intercommunicating service

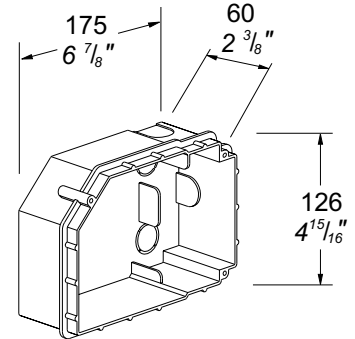


WB1260

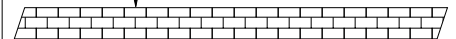


1283. Back-box for PV1260 and PT5660W videointercoms.

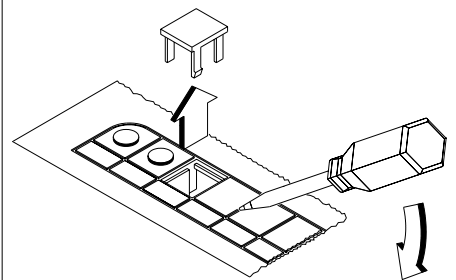
Place the box on the wall at a height of about 1.5m (4' 11") from the floor keeping the front edges flush-mounted and vertical to the finished plaster.



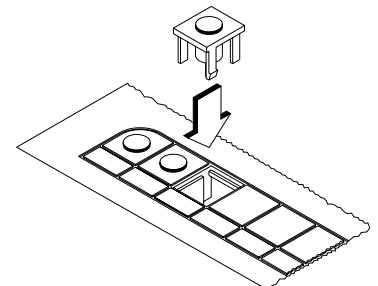
140 ÷ 150 cm
4' 7" ÷ 4' 11"



Supplementary push-buttons installation



Taking out of button caps.



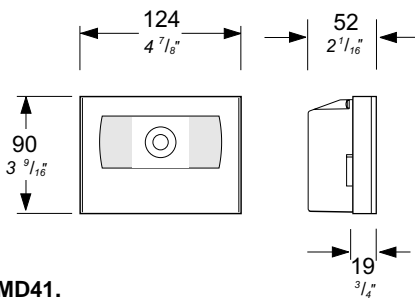
Inserting of extra buttons.



PUSH-BUTTON PANELS

For information on characteristics and assembly of push-button panels, electric door speakers, back boxes, rain shelters, hood covers and modules see section "intercoms" on page 7 to page 11.

CAMERAS

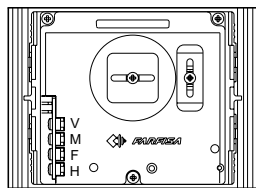


MD41.

B/W adjustable camera complete with:
 - solid-state sensor (CCD), electronic autoiris, 3.6mm fixed optics and 6 infrared LEDs;
 - front plate of anodized aluminium with break-proof transparent screen;
 - horizontal and vertical adjustment.

MD41C Color.

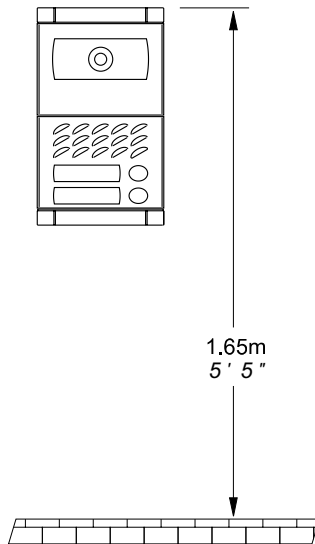
Colour adjustable camera complete with:
 - solid-state sensor (CCD), autoiris and 4mm fixed optics;
 - front plate of anodized aluminium with break-proof transparent screen;
 - horizontal and vertical adjustment.



Terminals

- V** Video signal output
- M** Ground
- F** Not connected
- H** Power supply input

Installation



Place the push-button panel back box at a height of about 1.65m (5' 5") from the floor keeping the front edges flush-mounted and vertical to the finished plaster.

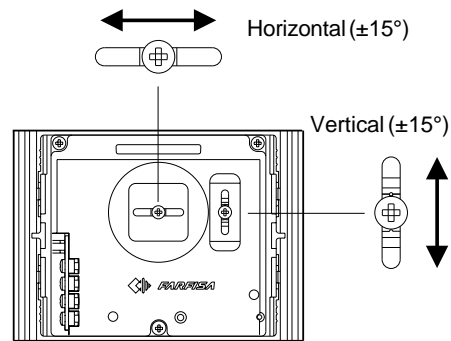
Position the camera in such a way that sunlight or other direct or reflected light sources with high intensity do not hit the camera lens.

Adjustments

If necessary, you can manually modify the camera position by means of the horizontal and vertical adjustments located on the back of the camera.

To do this, you must:

- remove the upper screw of the push-button panel to access the back of the camera;
- loosen the screw of the horizontal or vertical adjustment (or both screws, if you want to adjust the image in all the directions);
- move the camera in the desired direction;
- tighten the screw to block the camera in the desired position;
- fix the push-button panel.



Technical data

	MD41	MD41C
Power supply	21±3Vdc	21±3Vdc
Operating current	0.2A	0.4A
Video signal output	1Vpp on 75Ω	1Vpp on 75Ω
Video signal standard	CCIR	PAL
Minimum illumination	2 Lux	2.5 Lux
White balance	-	auto
Sensor	CCD 1/4" B/W	CCD 1/3" colour
Number of pixels	291,000	291,000
Horizontal frequency	15,625Hz	15,625Hz
Vertical frequency	50Hz	50Hz
Lens	3.6mm; F5	4mm; F4
Focus	0.1m ÷ ∞	0.6m ÷ ∞
Autoiris	electronic	electronic
Horizontal adjustment	± 15°	± 15°
Vertical adjustment	± 15°	± 15°
Operating temperature	-10°÷+40°C	-10°÷+40°C
Max. permissible humidity	80%RH	80%RH

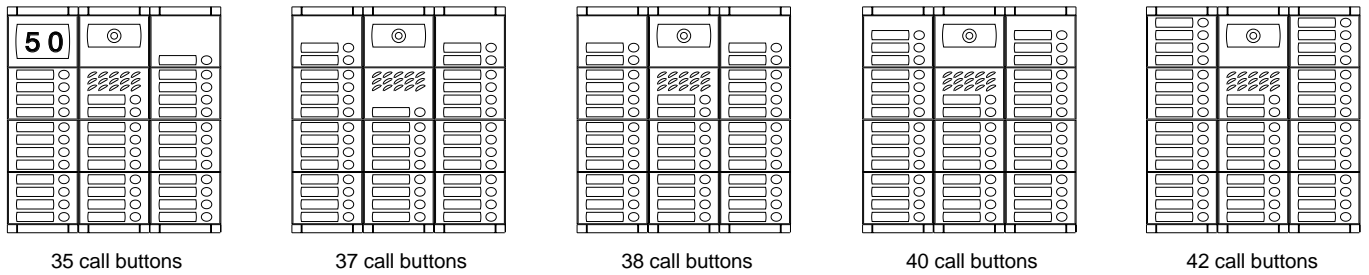
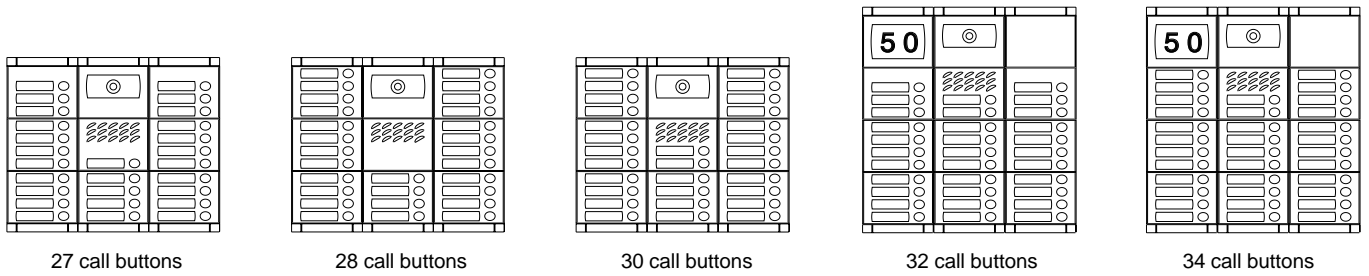
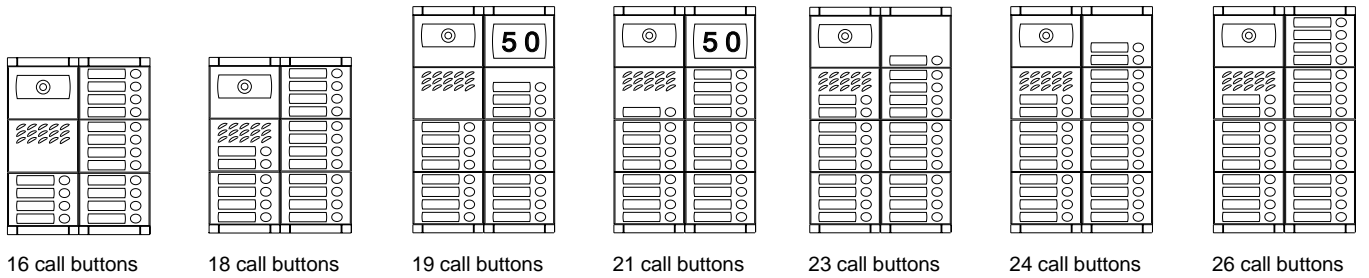
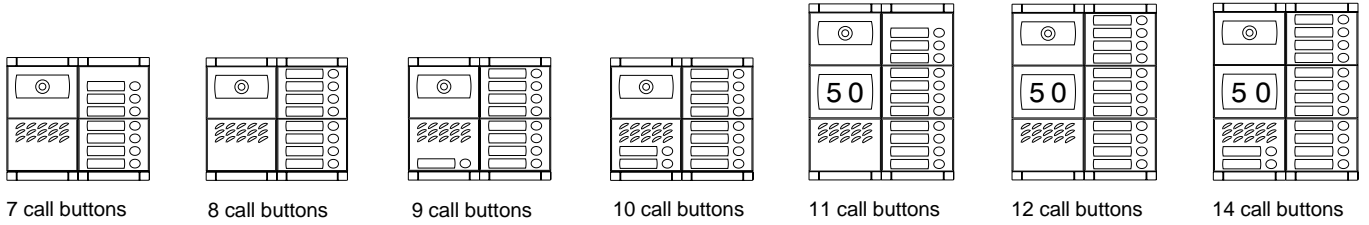
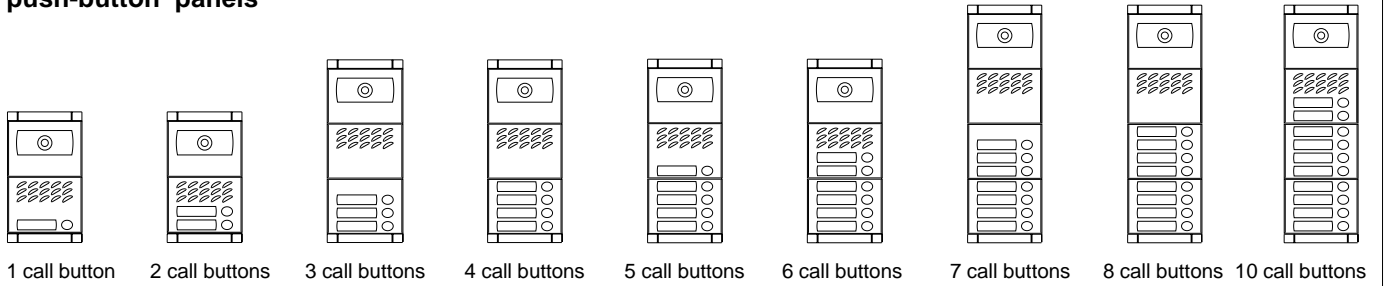
Note

MD40 and MD40C cameras have the same specifications as models MD41 and MD41C, except that they have not horizontal and vertical adjustments.



MODY series push-button panels

Examples of compositions of Mody push-button panels in video intercom systems



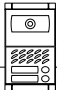
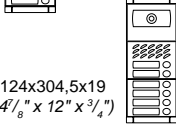
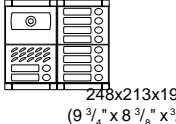
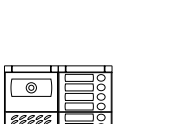
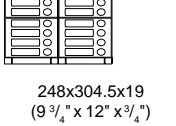
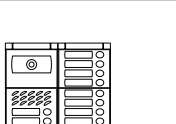
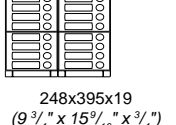
INTERCOMS * VIDEOINTERCOMS * TELECOMMUNICATION

MODY



MODY series push-button panels

Composition board of Mody push-button panels.

N° calls	Compositions and dimensions	Camera module	Doorspeaker (amplifier)	Module for speaker	Button and info or blank modules			Back box and module frame	Hood covers	Rain shelter
1	 124x213x19 (4 7/8" x 8 3/8" x 3/4")	1 MD41	1 MD30	1 MD11	-	-	-	1 MD72	1 MD82	1 MD92
2		1 MD41	1 MD30	1 MD12	-	-	-	1 MD72	1 MD82	1 MD92
3	 124x304.5x19 (4 7/8" x 12" x 3/4")	1 MD41	1 MD30	1 MD10	1 MD23	-	-	1 MD73	1 MD83	1 MD93
4		1 MD41	1 MD30	1 MD10	1 MD24	-	-	1 MD73	1 MD83	1 MD93
5		1 MD41	1 MD30	1 MD11	1 MD24	-	-	1 MD73	1 MD83	1 MD93
6		1 MD41	1 MD30	1 MD12	1 MD24	-	-	1 MD73	1 MD83	1 MD93
7		1 MD41	1 MD30	1 MD10	1 MD24	1 MD23	-	2 MD72 ■	1 MD84 ■	1 MD94 ■
8		1 MD41	1 MD30	1 MD10	2 MD24	-	-	2 MD72 ■	1 MD84 ■	1 MD94 ■
9		1 MD41	1 MD30	1 MD11	2 MD24	-	-	2 MD72 ■	1 MD84 ■	1 MD94 ■
10		1 MD41	1 MD30	1 MD12	2 MD24	-	-	2 MD72 ■	1 MD84 ■	1 MD94 ■
11	 248x213x19 (9 3/4" x 8 3/8" x 3/4")	1 MD41	1 MD30	1 MD10	2 MD24	1 MD23	1 *	2 MD73	1 MD86	1 MD96
12		1 MD41	1 MD30	1 MD10	3 MD24	-	1 *	2 MD73	1 MD86	1 MD96
13		1 MD41	1 MD30	1 MD11	3 MD24	-	1 *	2 MD73	1 MD86	1 MD96
14		1 MD41	1 MD30	1 MD12	3 MD24	-	1 *	2 MD73	1 MD86	1 MD96
15		1 MD41	1 MD30	1 MD10	3 MD24	1 MD23	-	2 MD73	1 MD86	1 MD96
16		1 MD41	1 MD30	1 MD10	4 MD24	-	-	2 MD73	1 MD86	1 MD96
17		1 MD41	1 MD30	1 MD11	4 MD24	-	-	2 MD73	1 MD86	1 MD96
18		1 MD41	1 MD30	1 MD12	4 MD24	-	-	2 MD73	1 MD86	1 MD96
19		1 MD41	1 MD30	1 MD10	4 MD24	1 MD23	1 *	2 MD74	1 MD808	1 MD908
20		1 MD41	1 MD30	1 MD10	5 MD24	-	1 *	2 MD74	1 MD808	1 MD908
21	 248x304.5x19 (9 3/4" x 12" x 3/4")	1 MD41	1 MD30	1 MD11	5 MD24	-	1 *	2 MD74	1 MD808	1 MD908
22		1 MD41	1 MD30	1 MD12	5 MD24	-	1 *	2 MD74	1 MD808	1 MD908
23		1 MD41	1 MD30	1 MD12	5 MD24	1 MD21	-	2 MD74	1 MD808	1 MD908
24		1 MD41	1 MD30	1 MD12	5 MD24	1 MD22	-	2 MD74	1 MD808	1 MD908
25		1 MD41	1 MD30	1 MD12	5 MD24	1 MD23	-	2 MD74	1 MD808	1 MD908
26		1 MD41	1 MD30	1 MD12	6 MD24	-	-	2 MD74	1 MD808	1 MD908
27		1 MD41	1 MD30	1 MD11	5 MD24	2 MD23	-	3 MD73	1 MD89	1 MD99
28		1 MD41	1 MD30	1 MD10	7 MD24	-	-	3 MD73	1 MD89	1 MD99
29		1 MD41	1 MD30	1 MD11	7 MD24	-	-	3 MD73	1 MD89	1 MD99
30		1 MD41	1 MD30	1 MD12	7 MD24	-	-	3 MD73	1 MD89	1 MD99
31	 372x304.5x19 (14 5/8" x 12" x 3/4")	1 MD41	1 MD30	1 MD11	6 MD24	2 MD23	2 *	3 MD74	1 MD812	1 MD912
32		1 MD41	1 MD30	1 MD12	6 MD24	2 MD23	2 *	3 MD74	1 MD812	1 MD912
33		1 MD41	1 MD30	1 MD11	8 MD24	-	2 *	3 MD74	1 MD812	1 MD912
34		1 MD41	1 MD30	1 MD12	8 MD24	-	2 *	3 MD74	1 MD812	1 MD912
35		1 MD41	1 MD30	1 MD12	8 MD24	1 MD21	1 *	3 MD74	1 MD812	1 MD912
36		1 MD41	1 MD30	1 MD12	8 MD24	2 MD21	-	3 MD74	1 MD812	1 MD912
37		1 MD41	1 MD30	1 MD11	8 MD24	2 MD22	-	3 MD74	1 MD812	1 MD912
38		1 MD41	1 MD30	1 MD12	8 MD24	2 MD22	-	3 MD74	1 MD812	1 MD912
39		1 MD41	1 MD30	1 MD11	8 MD24	2 MD23	-	3 MD74	1 MD812	1 MD912
40		1 MD41	1 MD30	1 MD12	8 MD24	2 MD23	-	3 MD74	1 MD812	1 MD912
41	 372x395x19 (14 5/8" x 15 9/16" x 3/4")	1 MD41	1 MD30	1 MD12	9 MD24	1 MD23	-	3 MD74	1 MD812	1 MD912
42		1 MD41	1 MD30	1 MD12	10 MD24	-	-	3 MD74	1 MD812	1 MD912
43		1 MD41	1 MD30	1 MD12	8 MD24	3 MD23	3 *	4 MD74	-	-
45		1 MD41	1 MD30	1 MD11	11 MD24	-	3 *	4 MD74	-	-
47		1 MD41	1 MD30	1 MD10	11 MD24	3 MD21	-	4 MD74	-	-
48		1 MD41	1 MD30	1 MD11	11 MD24	3 MD21	-	4 MD74	-	-
50		1 MD41	1 MD30	1 MD10	11 MD24	3 MD22	-	4 MD74	-	-
52		1 MD41	1 MD30	1 MD12	11 MD24	3 MD22	-	4 MD74	-	-
53		1 MD41	1 MD30	1 MD10	11 MD24	3 MD23	-	4 MD74	-	-
55		1 MD41	1 MD30	1 MD12	11 MD24	3 MD23	-	4 MD74	-	-
58	 496x395x19 (19 1/2" x 15 9/16" x 3/4")	1 MD41	1 MD30	1 MD12	14 MD24	-	-	4 MD74	-	-
58		1 MD41	1 MD30	1 MD12	14 MD24	-	-	4 MD74	-	-

■ or MD74 or MD804 or MD904

* or MD20 or MD50 or FC52P or FP52

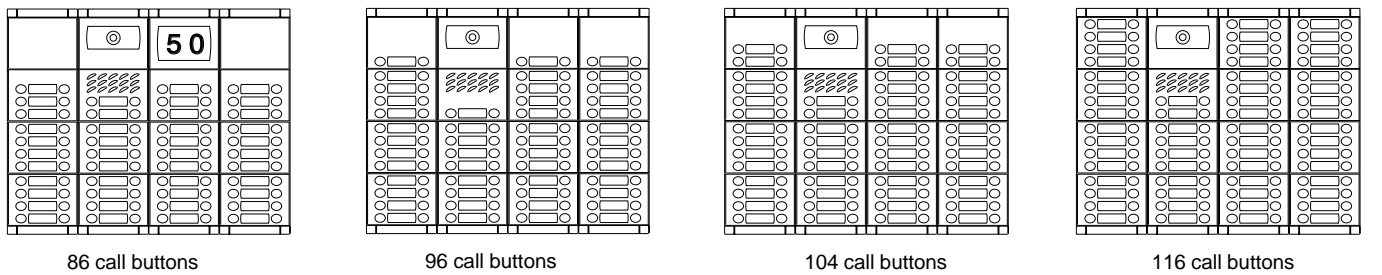
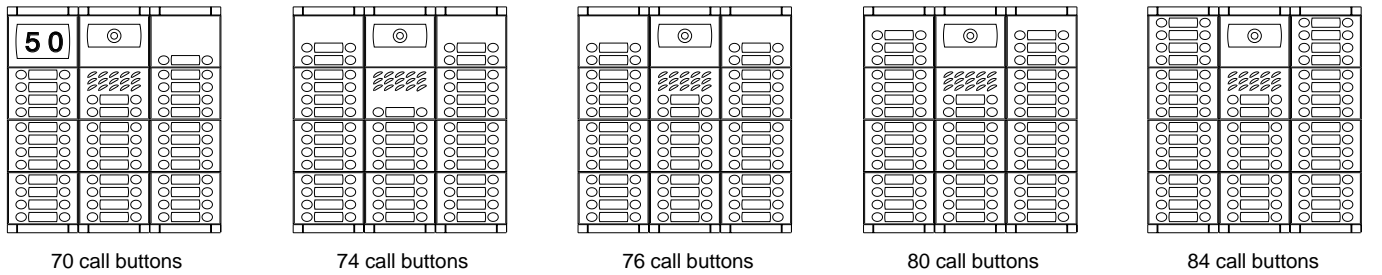
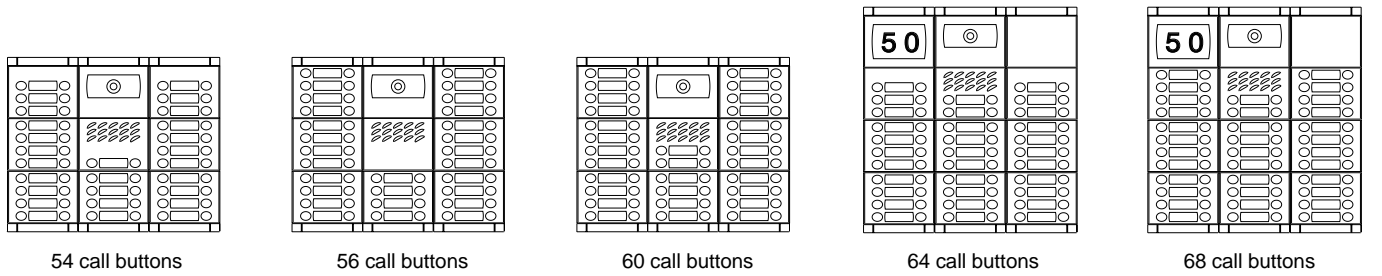
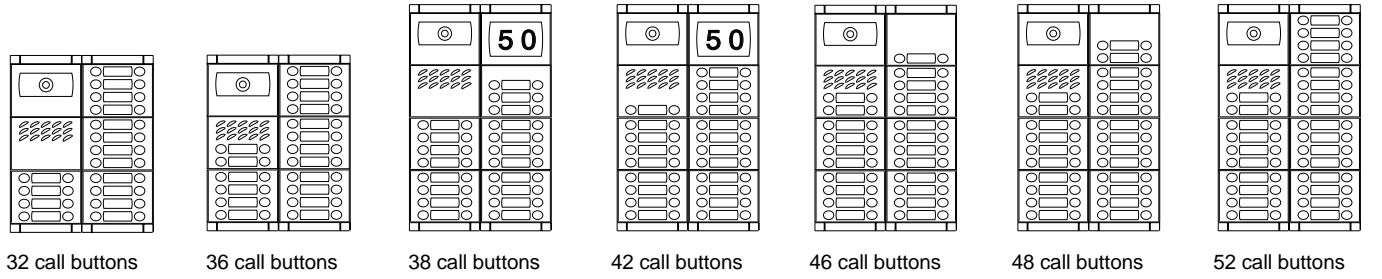
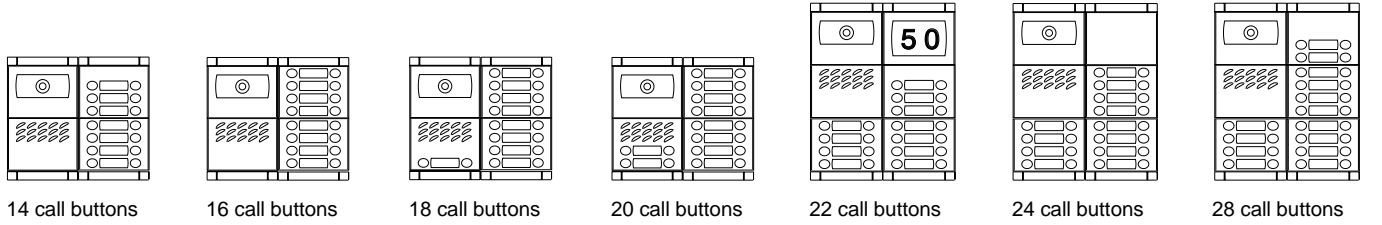
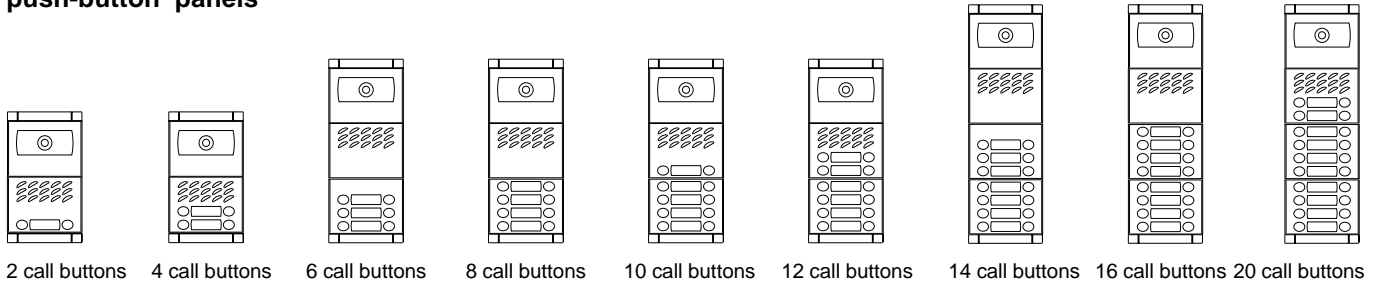
Optional

It replaces MD72, 73, 74



**MODY series
push-button panels**

Examples of compositions of Mody push-button panels in video intercom systems



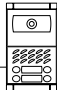
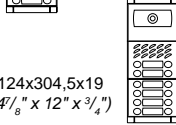
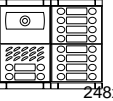
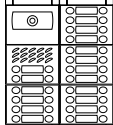
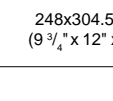
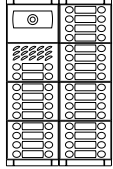
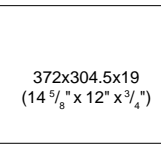
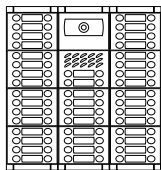
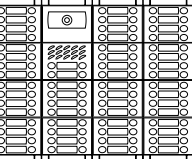
INTERCOMS * VIDEOINTERCOMS * TELECOMMUNICATION

MODY



MODY series push-button panels

Composition board of Mody push-button panels.

N° calls	Compositions and dimensions	Camera module	Doorspeaker (amplifier)	Module for speaker	Button and info or blank modules			Backbox and module frame	Hood covers	Rain shelter	
2	 124x213x19 (4 7/8" x 8 3/8" x 3/4")	1 MD41	1 MD30	1 MD122	-	-	-	1 MD72	1 MD82	1 MD92	
4		1 MD41	1 MD30	1 MD124	-	-	-	1 MD72	1 MD82	1 MD92	
6	 124x304.5x19 (4 7/8" x 12" x 3/4")	1 MD41	1 MD30	1 MD10	1 MD226	-	-	1 MD73	1 MD83	1 MD93	
8		1 MD41	1 MD30	1 MD10	1 MD228	-	-	1 MD73	1 MD83	1 MD93	
10		1 MD41	1 MD30	1 MD122	1 MD228	-	-	1 MD73	1 MD83	1 MD93	
12		1 MD41	1 MD30	1 MD124	1 MD228	-	-	1 MD73	1 MD83	1 MD93	
14	 248x213x19 (9 3/4" x 8 3/8" x 3/4")	1 MD41	1 MD30	1 MD10	1 MD228	1 MD226	-	2 MD72 ■	1 MD84 ■	1 MD94 ■	
16		1 MD41	1 MD30	1 MD10	2 MD228	-	-	2 MD72 ■	1 MD84 ■	1 MD94 ■	
18		1 MD41	1 MD30	1 MD122	2 MD228	-	-	2 MD72 ■	1 MD84 ■	1 MD94 ■	
20		1 MD41	1 MD30	1 MD124	2 MD228	-	-	2 MD72 ■	1 MD84 ■	1 MD94 ■	
22		 248x304.5x19 (9 3/4" x 12" x 3/4")	1 MD41	1 MD30	1 MD10	2 MD228	1 MD226	1 *	2 MD73	1 MD86	1 MD96
24			1 MD41	1 MD30	1 MD10	3 MD228	-	1 *	2 MD73	1 MD86	1 MD96
26			1 MD41	1 MD30	1 MD122	3 MD228	-	1 *	2 MD73	1 MD86	1 MD96
28			1 MD41	1 MD30	1 MD124	3 MD228	-	1 *	2 MD73	1 MD86	1 MD96
30			1 MD41	1 MD30	1 MD10	3 MD228	1 MD226	-	2 MD73	1 MD86	1 MD96
32			1 MD41	1 MD30	1 MD10	4 MD228	-	-	2 MD73	1 MD86	1 MD96
34	 248x304.5x19 (9 3/4" x 12" x 3/4")	1 MD41	1 MD30	1 MD122	4 MD228	-	-	2 MD73	1 MD86	1 MD96	
36		1 MD41	1 MD30	1 MD124	4 MD228	-	-	2 MD73	1 MD86	1 MD96	
38	 248x395x19 (9 3/4" x 15 9/16" x 3/4")	1 MD41	1 MD30	1 MD10	4 MD228	1 MD226	1 *	2 MD74	1 MD808	1 MD908	
40		1 MD41	1 MD30	1 MD10	5 MD228	-	1 *	2 MD74	1 MD808	1 MD908	
42		1 MD41	1 MD30	1 MD122	5 MD228	-	1 *	2 MD74	1 MD808	1 MD908	
44		1 MD41	1 MD30	1 MD124	5 MD228	-	1 *	2 MD74	1 MD808	1 MD908	
46		1 MD41	1 MD30	1 MD124	5 MD228	1 MD222	-	2 MD74	1 MD808	1 MD908	
48		1 MD41	1 MD30	1 MD124	5 MD228	1 MD224	-	2 MD74	1 MD808	1 MD908	
50		1 MD41	1 MD30	1 MD124	5 MD228	1 MD226	-	2 MD74	1 MD808	1 MD908	
52		1 MD41	1 MD30	1 MD124	6 MD228	-	-	2 MD74	1 MD808	1 MD908	
54		 372x304.5x19 (14 5/8" x 12" x 3/4")	1 MD41	1 MD30	1 MD122	5 MD228	2 MD226	-	3 MD73	1 MD89	1 MD99
56			1 MD41	1 MD30	1 MD124	7 MD228	-	-	3 MD73	1 MD89	1 MD99
58	1 MD41		1 MD30	1 MD122	7 MD228	-	-	3 MD73	1 MD89	1 MD99	
60	1 MD41		1 MD30	1 MD124	7 MD228	-	-	3 MD73	1 MD89	1 MD99	
62	 372x395x19 (14 5/8" x 15 9/16" x 3/4")	1 MD41	1 MD30	1 MD122	6 MD228	2 MD226	2 *	3 MD74	1 MD812	1 MD912	
64		1 MD41	1 MD30	1 MD124	6 MD228	2 MD226	2 *	3 MD74	1 MD812	1 MD912	
66		1 MD41	1 MD30	1 MD122	8 MD228	-	2 *	3 MD74	1 MD812	1 MD912	
68		1 MD41	1 MD30	1 MD124	8 MD228	-	2 *	3 MD74	1 MD812	1 MD912	
70		1 MD41	1 MD30	1 MD124	8 MD228	1 MD222	1 *	3 MD74	1 MD812	1 MD912	
72		1 MD41	1 MD30	1 MD124	8 MD228	2 MD222	-	3 MD74	1 MD812	1 MD912	
74		1 MD41	1 MD30	1 MD122	8 MD228	2 MD224	-	3 MD74	1 MD812	1 MD912	
76		1 MD41	1 MD30	1 MD124	8 MD228	2 MD224	-	3 MD74	1 MD812	1 MD912	
78		1 MD41	1 MD30	1 MD122	8 MD228	2 MD226	-	3 MD74	1 MD812	1 MD912	
80		1 MD41	1 MD30	1 MD124	8 MD228	2 MD226	-	3 MD74	1 MD812	1 MD912	
82	1 MD41	1 MD30	1 MD124	9 MD228	1 MD226	-	3 MD74	1 MD812	1 MD912		
84	1 MD41	1 MD30	1 MD124	10 MD228	-	-	3 MD74	1 MD812	1 MD912		
86	 496x395x19 (19 1/2" x 15 9/16" x 3/4")	1 MD41	1 MD30	1 MD124	8 MD228	3 MD226	3 *	4 MD74	-	-	
90		1 MD41	1 MD30	1 MD122	11 MD228	-	3 *	4 MD74	-	-	
94		1 MD41	1 MD30	1 MD10	11 MD228	3 MD222	-	4 MD74	-	-	
96		1 MD41	1 MD30	1 MD122	11 MD228	3 MD222	-	4 MD74	-	-	
100		1 MD41	1 MD30	1 MD10	11 MD228	3 MD224	-	4 MD74	-	-	
104		1 MD41	1 MD30	1 MD124	11 MD228	3 MD224	-	4 MD74	-	-	
106		1 MD41	1 MD30	1 MD10	11 MD228	3 MD226	-	4 MD74	-	-	
110		1 MD41	1 MD30	1 MD124	11 MD228	3 MD226	-	4 MD74	-	-	
116	1 MD41	1 MD30	1 MD124	14 MD228	-	-	4 MD74	-	-		

■ or MD74 or MD804 or MD904

* or MD20 or MD50 or FC52P or FP52

Optional

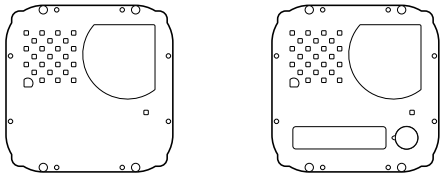
It replaces MD72, 73, 74



EXTERNAL DOOR STATIONS

MATRIX series push-button panels

Video modules with integrated audio amplifier



MA 42.

Modules complete with:

- CCD camera with autoiris, fixed 3.6mm lens and 6 infrared LED's.
- amplified speaker unit with volume adjustment of 2 channels (reception and transmission)
- steel front plate with breakproof transparent screen
- red operation LED
- horizontal and vertical adjustments

MA 42C.

Colour version of model MA 42.

MA 43.

Same as MA 42, with call button and name plate panel with breakproof transparent screen and green LED backlighting.

MA 43C.

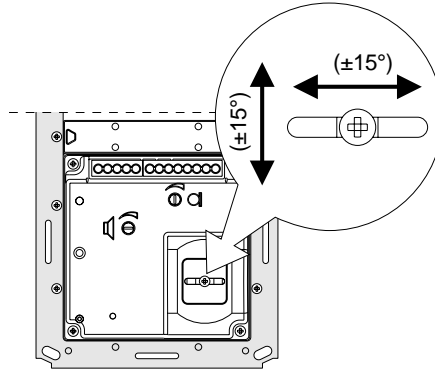
Colour version of model MA 43.

Terminals

- 1 Reception audio line
 - 2 Transmission audio line
 - 3 Power supply input for electric door speaker (6÷12Vdc)
 - 4 Audio ground
- Alternated power supply input or ground for name-plate Led
- A** AC or DC power supply input for name-plate Led (12Vac-dc)
- C** Call push-buttons common
- P1** Call push-button
- V** Video signal output (coaxial cable)
- M** Video ground (coaxial shield)
- H** Positive voltage input for camera (18÷24Vdc)
- L-** Alternated power supply input or ground for service Led
- L+** AC or DC power supply input for service Led (12Vac-dc)

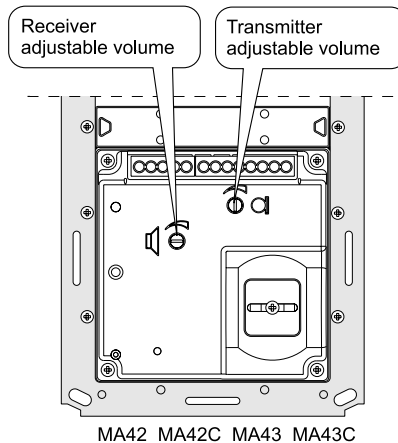
Adjustments

You can manually change the camera framing by unloosening and adjusting the horizontal and vertical screws in the desired direction.

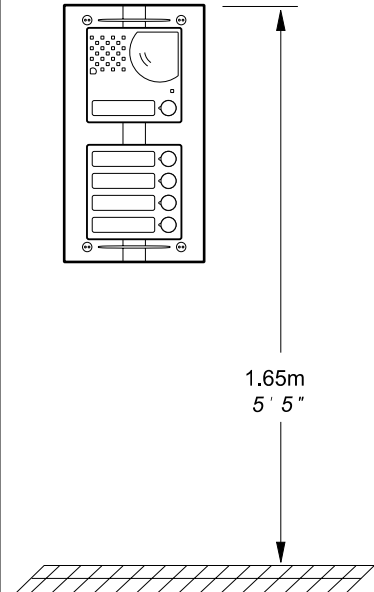


Audio adjustments

If necessary, it is possible to adjust the volume of the 2 audio channels opportunely varying the external knobs.

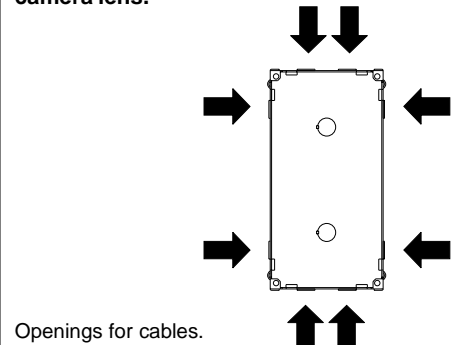


Installation

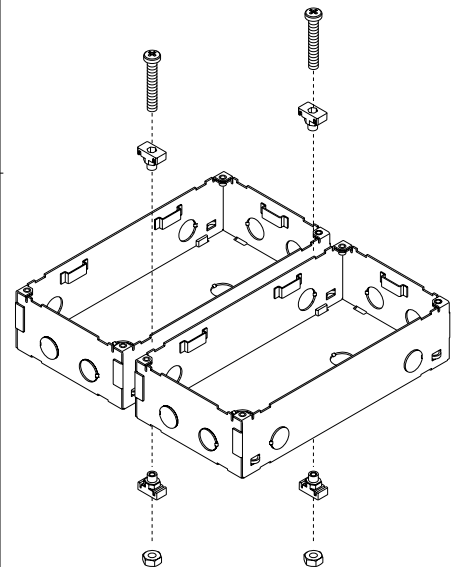


Place the push-button panel back box at a height of about 1.65m (5' 5") from the floor keeping the front edges flush-mounted and vertical to the finished plaster.

Position the camera in such a way that sunlight or other direct or reflected light sources with high intensity do not hit the camera lens.



Openings for cables.



Insertion of spacers between back boxes. Spacers and cable bushing (not supplied with the products) must be inserted before brick work.

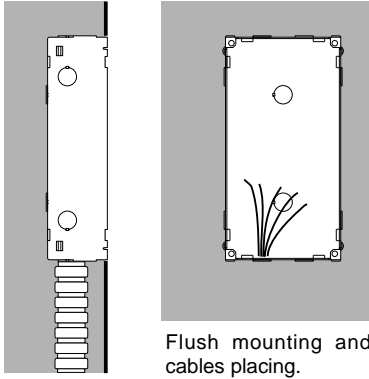
Technical data

	MA42-MA43	MA42C-MA43C
Power supply	21±3Vdc	21±3Vdc
Operating current	0.2A	0.4A
Video signal output	1Vpp on 75Ω	1Vpp on 75Ω
Video signal standard	CCIR	PAL
Minimum illumination	2 Lux	2.5 Lux
White balance	-	auto
Sensor	CCD 1/4" B/W	CCD 1/3" colour
Number of pixels	291,000	291,000
Horizontal frequency	15,625Hz	15,625Hz
Vertical frequency	50Hz	50Hz
Lens	3.6mm; F5	4mm; F4
Focus	0.1m ÷ ∞	0.6m ÷ ∞
Autoiris	electronic	electronic
Horizontal adjustment	± 15°	± 15°
Vertical adjustment	± 15°	± 15°
Operating temperature	-10°÷+40°C	-10°÷+40°C
Max. permissible humidity	80%RH	80%RH

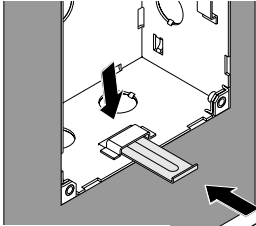


EXTERNAL DOOR STATIONS

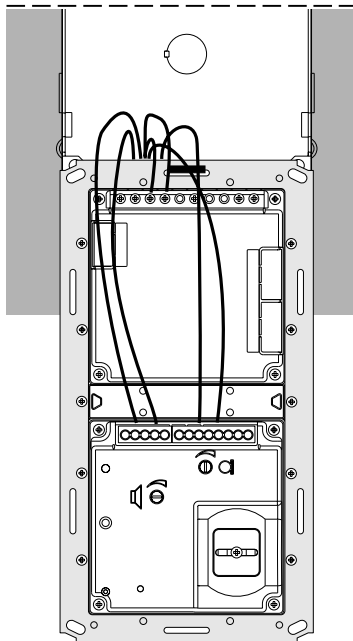
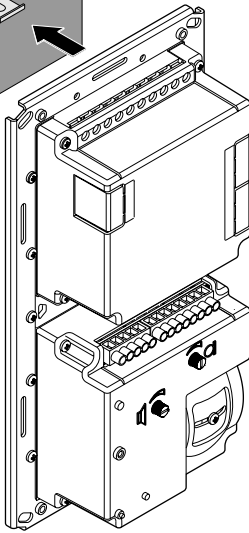
MATRIX series push-button panels



Flush mounting and cables placing.

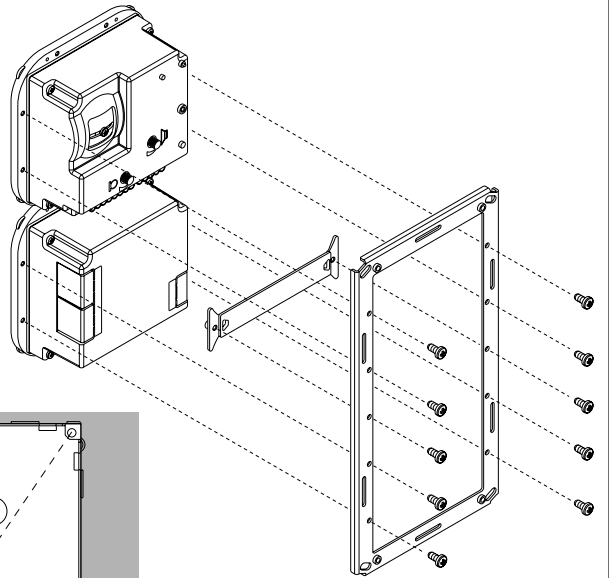
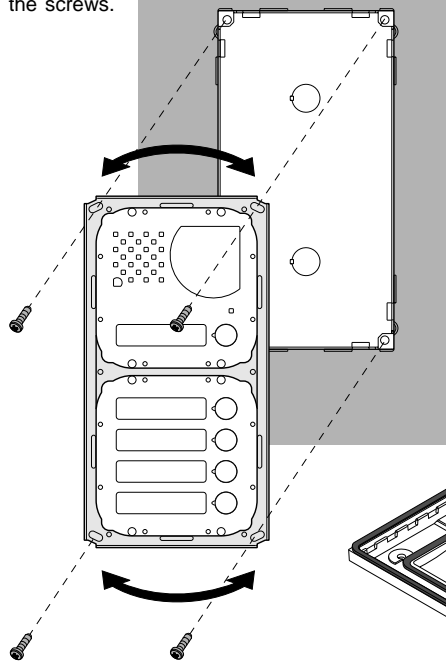


For easier connection to the electrical system, it is recommended to insert the metal plate supplied with the product in the back box opening, as shown in the figure. The plate is used to hook the frame with pre-assembled modules. Leave the plate in the box to reuse it for maintenance operations.

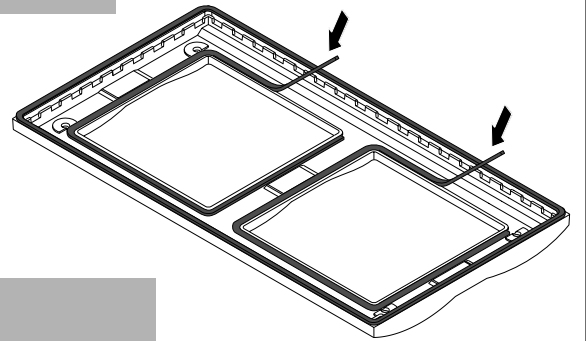


Connection of wires to module terminal boxes.

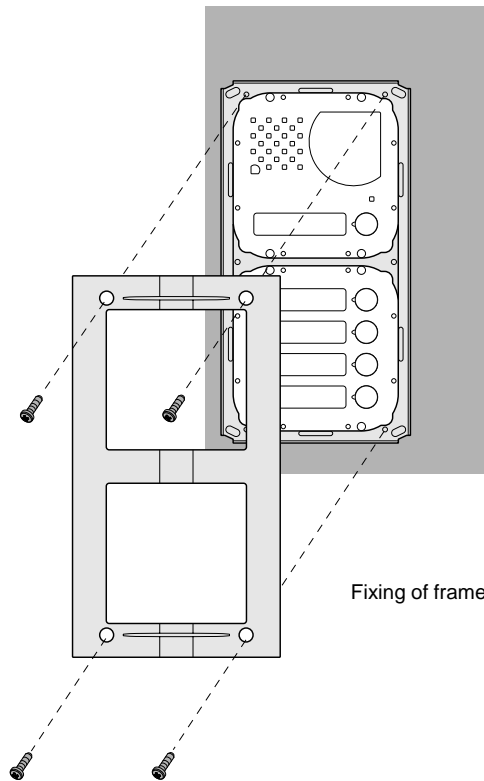
Fixing of frame to back box. Align the frame before tightening the screws.



Mounting of button module.



Apply the protection gaskets supplied with the product on the internal part of the frame openings.



Fixing of frame to module frame.



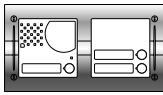
EXTERNAL DOOR STATIONS

MATRIX series push-button panels

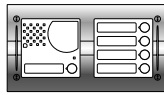
Examples of compositions in video intercom systems



1 call button



3 call buttons



5 call buttons



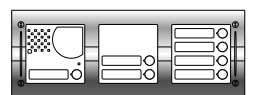
6 call buttons



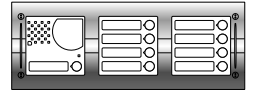
8 call buttons



9 call buttons



7 call buttons



9 call buttons



2 call buttons



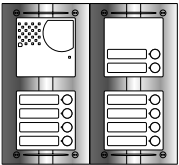
3 call buttons



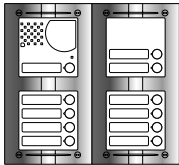
4 call buttons



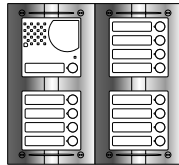
5 call buttons



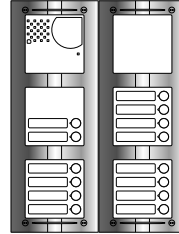
10 call buttons



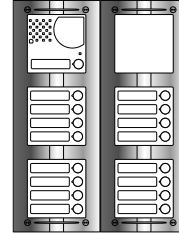
11 call buttons



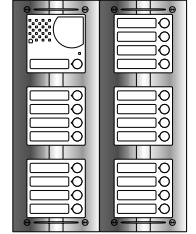
13 call buttons



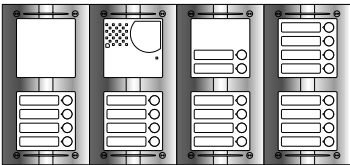
14 call buttons



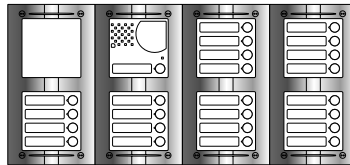
17 call buttons



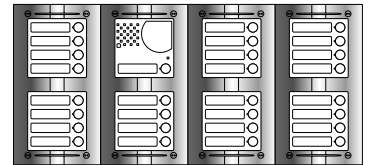
21 call buttons



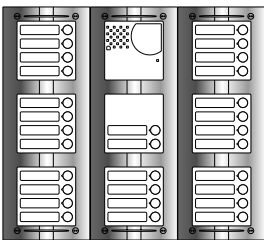
22 call buttons



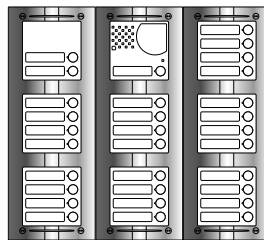
25 call buttons



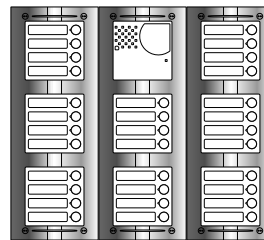
29 call buttons



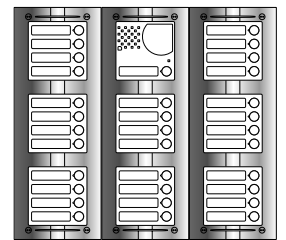
30 call buttons



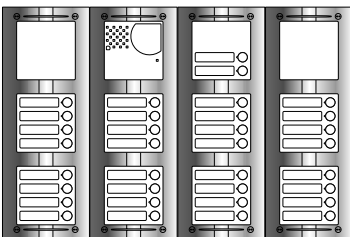
31 call buttons



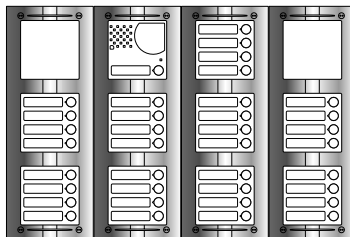
32 call buttons



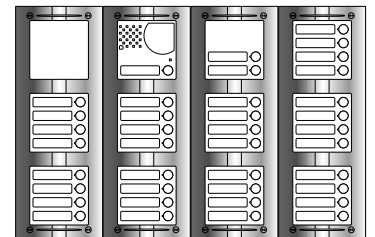
33 call buttons



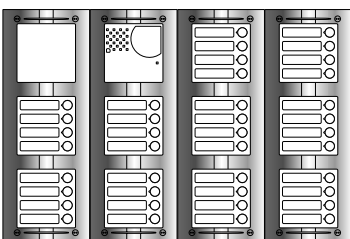
34 call buttons



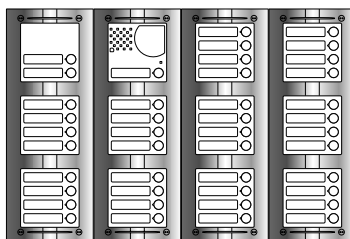
37 call buttons



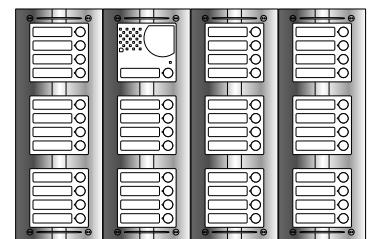
39 call buttons



40 call buttons



43 call buttons



45 call buttons

INTERCOMS * VIDEOINTERCOMS * TELECOMMUNICATION

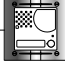
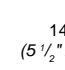
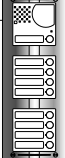
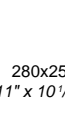


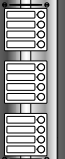

M A T R I X



EXTERNAL DOOR STATIONS

MATRIX series push-button panels

Composition board of Matrix push-button panels.

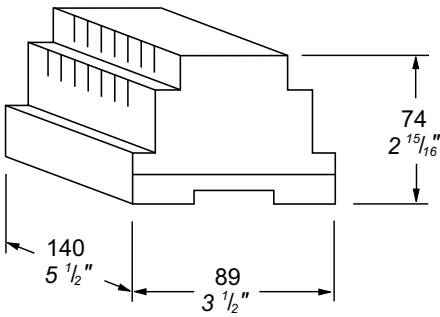
N° calls	Compositions and dimensions	Camera module and door speaker	Button and info or blank modules		Front frame	Back box and module frame		
1	 140x140x19 (5 1/2" x 5 1/2" x 3/4")	1 MA43	-	-	1 MA61	1 MA71		
2	 140x256x19 (5 1/2" x 10 1/16" x 3/4")	1 MA42	1 MA22	-	1 MA62	1 MA72		
3		1 MA43	1 MA22	-	1 MA62	1 MA72		
4		1 MA42	1 MA24	-	1 MA62	1 MA72		
5		1 MA43	1 MA24	-	1 MA62	1 MA72		
6	 140x374x19 (5 1/2" x 14 3/4" x 3/4")	1 MA42	1 MA24	1 MA22	-	1 MA63	1 MA73	
7		1 MA43	1 MA24	1 MA22	-	1 MA63	1 MA73	
8		1 MA42	2 MA24	-	-	1 MA63	1 MA73	
9		1 MA43	2 MA24	-	-	1 MA63	1 MA73	
10		 280x256x19 (11" x 10 1/16" x 3/4")	1 MA42	2 MA24	1 MA22	-	2 MA62	2 MA72
11	1 MA43		2 MA24	1 MA22	-	2 MA62	2 MA72	
12	1 MA42		3 MA24	-	-	2 MA62	2 MA72	
13	1 MA43		3 MA24	-	-	2 MA62	2 MA72	
14	 280x374x19 (11" x 14 3/4" x 3/4")		1 MA42	3 MA24	1 MA22	1 MA20	2 MA63	2 MA73
15			1 MA43	3 MA24	1 MA22	1 MA20	2 MA63	2 MA73
16			1 MA42	4 MA24	-	1 MA20	2 MA63	2 MA73
17			1 MA43	4 MA24	-	1 MA20	2 MA63	2 MA73
18			1 MA42	4 MA24	1 MA22	-	2 MA63	2 MA73
19			1 MA43	4 MA24	1 MA22	-	2 MA63	2 MA73
20			1 MA42	5 MA24	-	-	2 MA63	2 MA73
21	1 MA43	5 MA24	-	-	2 MA63	2 MA73		
22	 560x256x19 (22 1/16" x 10 1/16" x 3/4")	1 MA42	5 MA24	1 MA22	1 MA20	4 MA62	4 MA72	
23		1 MA43	5 MA24	1 MA22	1 MA20	4 MA62	4 MA72	
24		1 MA42	6 MA24	-	1 MA20	4 MA62	4 MA72	
25		1 MA43	6 MA24	-	1 MA20	4 MA62	4 MA72	
26		1 MA42	6 MA24	1 MA22	-	4 MA62	4 MA72	
27		1 MA43	6 MA24	1 MA22	-	4 MA62	4 MA72	
28		1 MA42	7 MA24	-	-	4 MA62	4 MA72	
29		1 MA43	7 MA24	-	-	4 MA62	4 MA72	
30	 420x374x19 (16 9/16" x 14 3/4" x 3/4")	1 MA42	7 MA24	1 MA22	-	3 MA63	3 MA73	
31		1 MA43	7 MA24	1 MA22	-	3 MA63	3 MA73	
32		1 MA42	8 MA24	-	-	3 MA63	3 MA73	
33		1 MA43	8 MA24	-	-	3 MA63	3 MA73	
34		1 MA42	8 MA24	1 MA22	2 MA20	4 MA63	4 MA73	
35		1 MA43	8 MA24	1 MA22	2 MA20	4 MA63	4 MA73	
36	 560x374x19 (22 1/16" x 14 3/4" x 3/4")	1 MA42	9 MA24	-	2 MA20	4 MA63	4 MA73	
37		1 MA43	9 MA24	-	2 MA20	4 MA63	4 MA73	
38		1 MA42	9 MA24	1 MA22	1 MA20	4 MA63	4 MA73	
39		1 MA43	9 MA24	1 MA22	1 MA20	4 MA63	4 MA73	
40		1 MA42	10 MA24	-	1 MA20	4 MA63	4 MA73	
41		1 MA43	10 MA24	-	1 MA20	4 MA63	4 MA73	
42		1 MA42	10 MA24	1 MA22	-	4 MA63	4 MA73	
43		1 MA43	10 MA24	1 MA22	-	4 MA63	4 MA73	
44		1 MA42	11 MA24	-	-	4 MA63	4 MA73	
45	1 MA43	11 MA24	-	-	4 MA63	4 MA73		

INTERCOMS * VIDEOINTERCOMS * TELECOMMUNICATION

MATRIX



POWER SUPPLY AND CONTROL UNIT



1281. STABILIZED POWER SUPPLY WITH SWITCHING REGULATOR.

Connected to the timer art.1382, allows to drive at low voltage a videointercom (or 2 in parallel in FLAT type), a camera unit with a solid state sensor (CCD), electric door lock, name plate lights, etc.

Technical data

Input voltage	127 or 220-230Vac
Frequency	50/60Hz
Power	48VA
Operating temperature	0°±40°C
Maximum permissible humidity	90%RH
Housing	DIN 8 modules A
Weight	0.95Kg.
Approved by	VDE according to safety standard EN60065

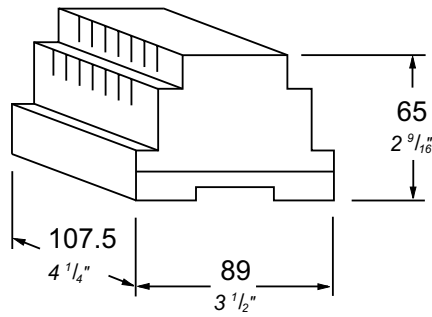
Terminals

A Output voltage 13Vac for:

- name plate light, exchangers and climatized camera (continuous service 0.6A)
- electric door lock and bells (intermittent service 1A)
- Ground
- + Continuous output 21Vdc-1A (timed operation)
- I Logic command input from timing
- 0 = activated
- +5Vdc = non activated

Note

- The power supply is not provided with fuses, but all of its outputs are protected against overloading and short circuiting by temperature sensors. To reset the power supply, power must be cut off for about one minute and can be restored after having eliminated the defect.
- The power supply must be installed in a dry place and can be fixed on DIN bar or on a wall by using the expansion plugs.
- The connection between power supply 1281 and timer 1382 is not to be longer than 25cm.



1382. AUDIO-VIDEO TIMER.

Connected to the stabilized power supply art.1281, it allows a videointercom system to be timed (50 seconds).

It also allows time to be increased during a conversation (3 minutes), automatic power OFF at the end of the conversation; switching ON of one videointercom at a time. By adding the intercommunicating module art.1443E on the proper connector, an intercommunicating operation with privacy towards the external speaker is obtained.

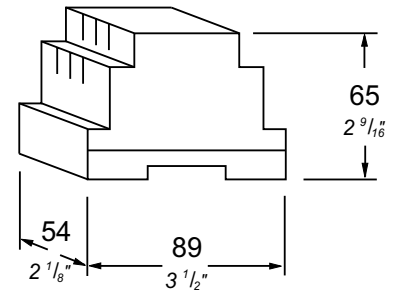
Technical data

Turn ON time:	-50 sec. with handset replaced
	-3 min. with handset lifted
Operating temperature	0°±50°C
Maximum permissible humidity	90%RH
Housing	DIN 6 modules A

Terminals

- I Logic command output of timing 0/5Vdc
- + Positive voltage input 18±28Vdc-2A
- Ground
- A Alternating voltage input-output 13Vac-1.6A
- D Alternating voltage output for the common of push-button 13Vac-0.5A (intermittent service)
- H Timed positive voltage output for the camera unit 18±28Vdc-0.5A max.
- F Ground
- 1 Transmitter audio channel input 4.5Vdc-10mA
- 2 Receiver audio channel input 2Vdc-16mA
- 3 Positive voltage output 8Vdc-0.1A
- S Electronic door lock release 1A
- 4 Control switching ON input from the videointercoms 5.5Vdc-90mA
- 9 Door lock release command 50mA
- 11 Audio ground
- 12 Transmitter audio channel output 4.5Vdc-10mA
- 13 Receiver audio channel output 2Vdc-16mA
- 14 Timed positive voltage output for the videointercoms 18±28Vdc-1.5A max.

SERVICE MODULES



2443. AMPLIFIER-SWITCHER FOR INTER-COMMUNICATING SYSTEMS.

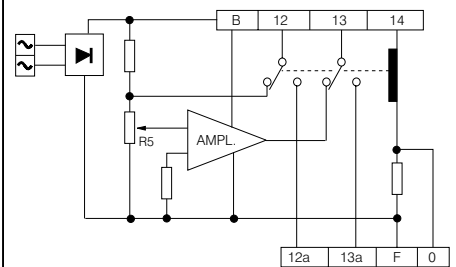
It is suitable for video intercom systems where it is necessary to have the intercommunicating service in different flats with privacy towards both outside and other users. Use one art.2443 in every intercommunicating flat. Can be fixed on DIN bar or with two expansion plugs. In housing DIN 4 modules A.

Terminals

- F General ground
- B Power supply 8Vdc-60mA
- ~ Power supply 13Vac-70mA
- 12 Connection toward the microphone of the videointercoms
- 12a Audio output from door station (transmitter channel)
- 13 Connection towards the loudspeaker of the videointercoms
- 13a Audio input from the door station (receiver channel)
- 14 Timed power supply for audio connection toward the door station 12±24Vdc-60mA
- 0 To connect to terminal F when the terminal 14 is powered to 12Vdc (terminal 8 of the videointercom)

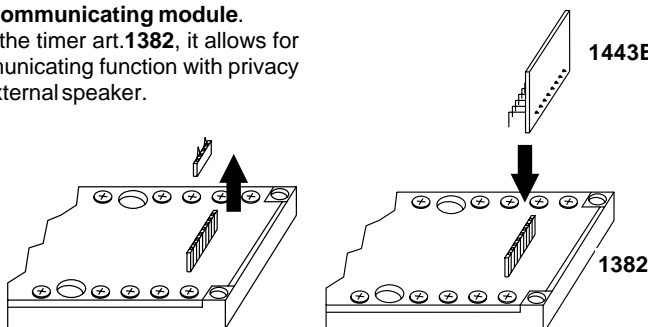
Note

If it is necessary to adjust the volume of the intercommunicating audio turn trimmer R5.

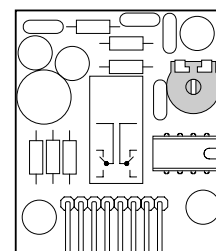


1443E. Intercommunicating module.

Added inside the timer art.1382, it allows for the intercommunicating function with privacy towards the external speaker.

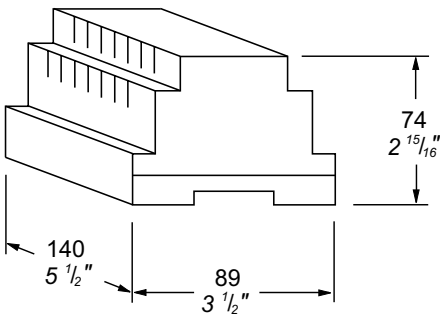


Use the trimmer to adjust the intercommunicating volume.



art.1443E



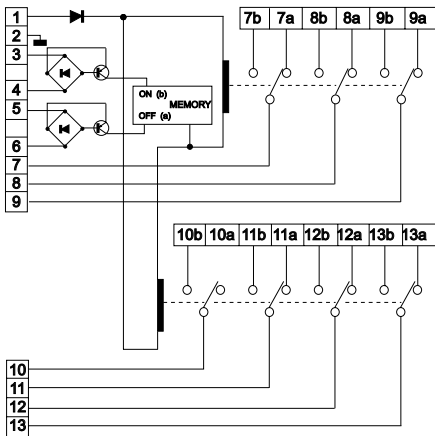


1273TV. 7-CONTACT ANALOG EXCHANGER.

It is used in systems with 2 or more video entrances for switching automatically the video signals, the audio lines and door lock on the calling entrance. Can be fixed on DIN bar or with two expansion plugs. In housing DIN 8 modules A. For the switching of video signals it is advisable to use terminals 8-8a-8b and 9-9a-9b, being that they are physically closer.

Terminals

- 1 Power supply 13Vac-0.1A (15÷21Vdc)
- 2 Ground
- 3 and 4 Driver to switch the relay in "b" position - ON position
- 5 and 6 Driver to switch the relay in "a" position - OFF position
- 7,8,9,10,11,12,13 Common contact of relay
- 7a,8a,9a,10a,11a,12a, 13a OFF position of relay contacts
- 7b,8b,9b,10b,11b,12b, 13b ON position of relay contacts

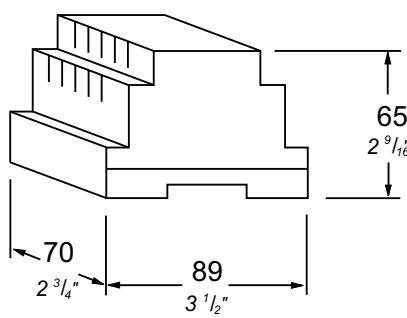


1473. EXCHANGER. See page 25.

1471. RELAY MODULE. See page 25.

1471E. RELAY MODULE. See page 25.

1472. 2-CONTACT RELAY UNIT. See page 25.



RL37. RELAY MODULE.

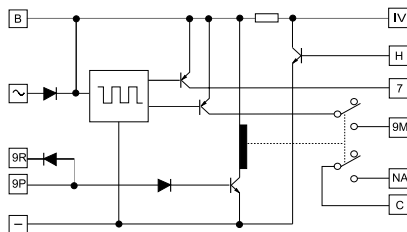
Relay module used to regenerate the electronic call for additional 3 intercoms or video intercoms. It permits to activate/deactivate max. 3 additional video power supplies. Complete with electronic ringing generator for intercommunication. Can be fixed on DIN bar or screwed to the wall with 2 expansion plugs.

Technical data

- Power supply: 13Vac
- Current consumption: 0.04A
- Current consumption with ringing ON: 0.6A
- Number of exchanges: 1
- Max. switching current: 1A (24V)
- Housing: DIN 4 modules A
- Operating temperature: 0° ÷ 50°C
- Maximum permissible humidity: 90% RH

Terminals

- ~ Alternate current input
- Ground
- H Timed continuous current input 21Vdc
- IV Additional power supply activation
- C Common contact of relay
- NA Normally open contact of relay
- 9P Electronic call input
- 9M Regenerated electronic call output activated by terminal 9P
- 9R Direct electronic call output from terminal 9P
- B 8Vdc voltage output



General characteristics

- The cable runs of intercom and video intercom installations must be kept separate from the mains or any other electrical installation as required by the International Safety Standards and the entire installation must be realized in compliance with the safety rules in force in any specific Country.
- It is necessary to provide an all contact switch before the power supply. Use a single general switch in case of several power supplies (also in multiple entrance).
- Before connecting the power supply make sure that its rating data corresponds to this of the mains.
- For electromagnetic reasons, all service modules must be installed near their power supply.

Wires

- 1) For the correct operation of the video intercom system you must choose the correct type of cable.
- 2) Wires must be dimensioned according to the distance of the different devices and their current consumption.
- 3) Do not connect wires in parallel to reach the required cross-section (for example multi-pair telephone cables). Only use a single wire with suitable cross-section. When using multi-core cables you must select them with low parasite parameters (low capacitance per metre, low inductance over Ohm).
- 4) If the installation includes additional power supplies you must place them near the device to be powered.

Background noise

- To avoid possible background noise over the speech line, it is advisable:
- 5) not to lay intercom or telephone cables in the same runaway as the wires used to power alternate current loads;
 - 6) to avoid using the same multi-core cable to transmit audio signals and alternate current power supplies (lamps, amplified external door stations, electrical door locks). Always use separate wires for alternate current power supplies;
 - 7) do not connect the name plate lamps (or other AC powered devices) to terminal 4 (-) of the speaker unit; two wires must start from terminal F of the timer, one for terminal 4 of the speaker unit and one for the connection of the lamps (or other AC powered devices);
 - 8) for name-plate lamps, to use an additional 12Vac transformer (PRS210 type) with suitable power (consumption is 75mA for each lamp) with 2 power supply wires separate from audio wires;
 - 9) for systems with long distance between the external door station and the last video intercom, it is advisable to position the power supply near the external door station (see diagram on page 97).



INSTALLATION INSTRUCTIONS

WIRE CROSS-SECTION

Distance		Terminals					
		4 . 9 . 11 . 12 . 13 . H 1 . 2 . 3 . D . 10 (call)			F . 14 . A . S (wires in bold face type)		
m.	feet	mm ² S	mm Ø	AWG	mm ² S	mm Ø	AWG
50	165	0,5	0,8	20	0,75	1	18
100	330	0,75	1	18	1	1,2	16
200	660	1	1,2	16	1,5	1,4	15
300	990	1,5	1,4	15	2,5	1,8	12

For the video signal use a TV 75Ω low loss coaxial cable or a twisted pair (see next pages).

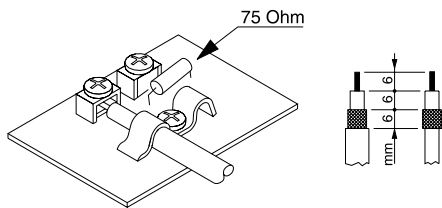
1304. MULTI-CORE CABLE

Video intercom cable with 10 wires of different cross-sections and 75Ω coaxial cable. It can be used in systems with a maximum distance of 100 meters (50m between timer and camera unit and 50m between timer and video intercom).

VIDEO SIGNAL DISTRIBUTION WITH COAXIAL CABLE

Videointercoms terminal board

The resistance for terminate the video signal (75Ω) is located on the terminal board of the videointercom wall bracket.

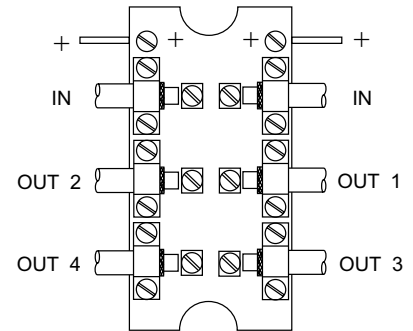


DV2-DV4. VIDEO SIGNAL DISTRIBUTORS.

They allow the distribution of the video signal on 2 or 4 outputs. It can be installed on the wall, on a wall box, with expansion plugs or it can be placed in the junction box.

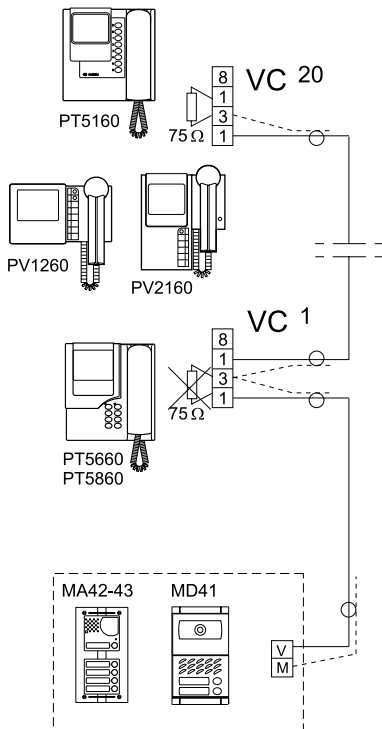
Technical data

Power supply	12Vdc±2
Operating current	DV2 50mA DV4 100mA
Insertion loss	0.8dB
Max. input video signal	2Vpp
Bandwidth	>5MHz



Serial connection of the coaxial cable (input and output from videointercom)

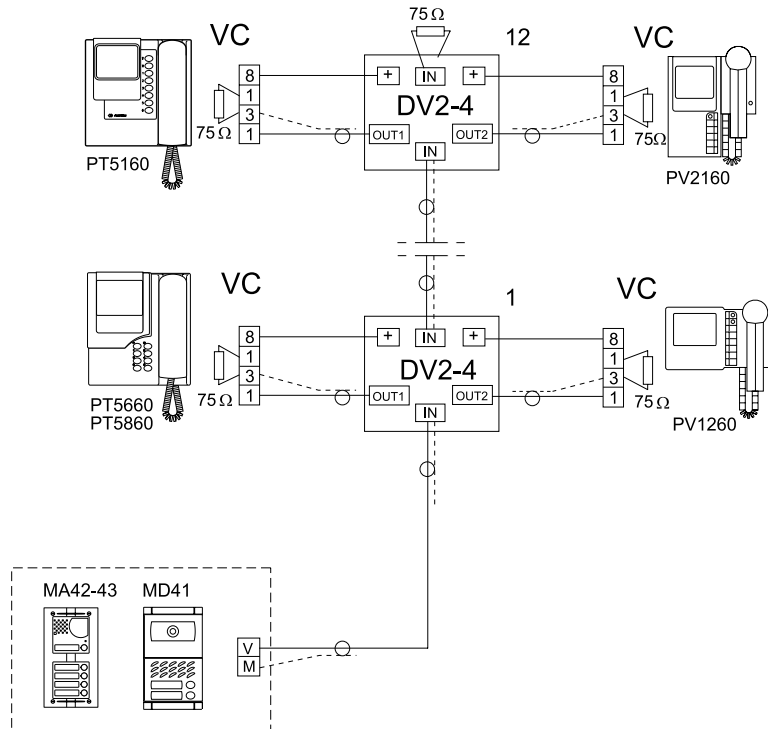
To carry out the video connection in a serial mode it is necessary to cut the resistance of 75Ω located on the wall-bracket terminal board. Leave it only on the last videointercom. The videointercoms serially connectable are max. 20.



Connection of the coaxial cable with video distributors

For multi-way video systems it is advisable to use video distributor that, being powered by the videointercoms connected to it (terminal 8), do not create overloads on the video power

supply. The outputs that are not used must be closed with resistances of 75Ω that are provided in kit. Maximum 12 video distributors can be connected together.



coax



INSTALLATION INSTRUCTIONS

476. VIDEO DISTRIBUTOR-AMPLIFIER.

It allows for the distribution of the video signal coming from the cameras on 5 independent lines. It is not necessary to terminate on 75Ω the unused outputs.

Terminals

- F** General ground
- 14** Positive power supply
- IN** Video signal input
- 1-2-3-4-5** Video signal outputs
- Video ground (shield of the coaxial cable)

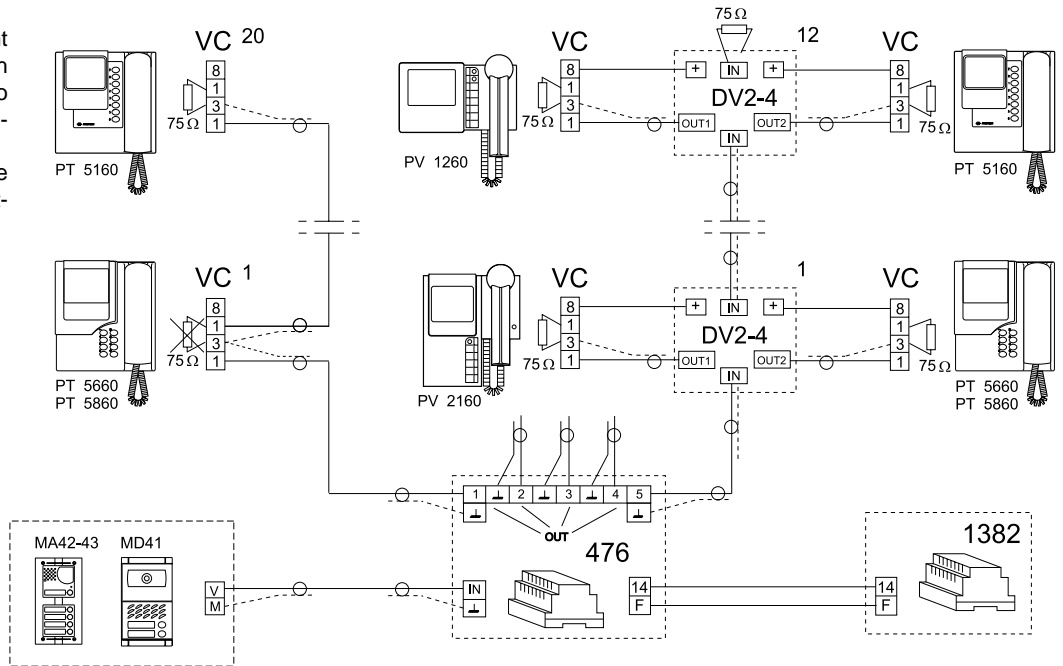
Technical data

- Power supply 21 ± 3Vdc
- Operating current at max. load 250mA
- Gain at max. load from 0 to 3.5dB (adjustable)
- Gain with one output terminated to 75Ω from 0 to 9dB (adjustable)
- Bandwidth >5MHz
- Operating temperature 0°±+50°C
- Maximum permissible humidity 90% RH
- Housing DIN 8 modules A

Connection of the coaxial cable with distribution on maximum 5 column rising (serial and/or with video distributors)

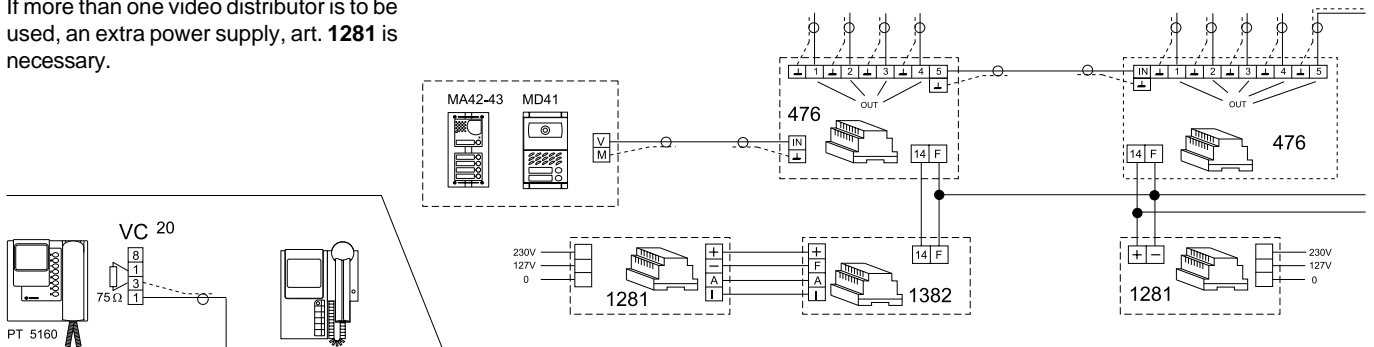
In video systems with different columns rising or with a high number of users, it is necessary to use the video distributor-amplifier art.476.

It is not necessary to terminate the unused outputs on the 75Ω resistance.



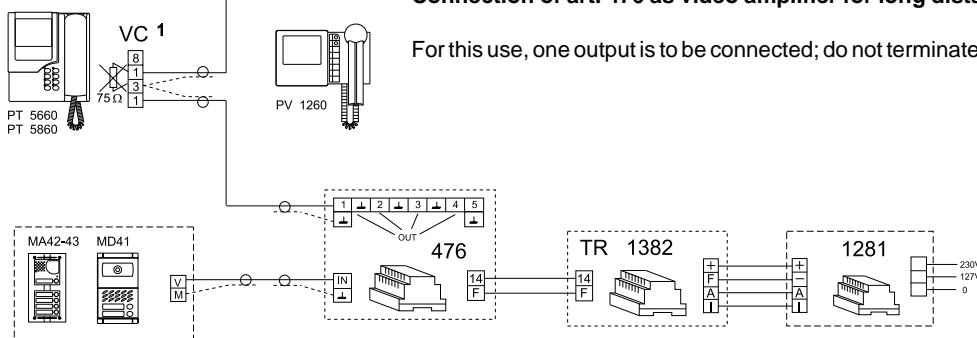
Connection of the coaxial cable with video signal distribution on more than 5 risers

If more than one video distributor is to be used, an extra power supply, art. 1281 is necessary.



Connection of art. 476 as video amplifier for long distance systems

For this use, one output is to be connected; do not terminate the other outputs on the 75Ω resistance.



coax



Check that the connections of the system are carried out correctly.

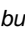
Put the system in use by connecting the power supply to the mains.


By pushing a call button from the external push-button panel, the call is sent to the corresponding video intercom, the system is activated for about 50 seconds and the image appears on the videointercom a few seconds after the call.

By lifting the handset, the called user can speak with the external station and increases at the same time the activation time of the system (about 3 minutes).

If a call to another internal station occurs in the meantime, the videointercom switches OFF and the last videointercom called is activated. By replacing the handset the system switches OFF automatically.

By making a call to a video intercom with off-hook handset, the videointercoms is activated without hearing the ringing call.

If more calls occur simultaneously, a protection circuit against overloading and short circuiting is provided to disable the timer and switch OFF the system. If provided for in the system, from any videointercom it is possible to control the entrance by pressing the  button (control switch ON). Such a control is not possible when a conversation is taking place.

To operate the electric door lock release press the  button.

In systems with 2 or more entrances, audio, video and door lock release switching between two entrances is automatic upon the call or control switching ON.

In systems with 2 or more entrances, the control switch ON from the videointercoms interrupt the communication in progress, consequently in multi-way systems it is advisable to interrupt during a communication the switch ON function by means of a relay art. 1471 or 1472, giving the priority to the communication to the external door stations (see installation diagrams of video intercom systems with several entrances).

In systems with intercommunicating service, the communication between videointercoms and/or intercoms is possible only when the system is in stand-by.

Adjustments

Being subject to the environmental lighting conditions, contrast and brightness can be adjusted by means of external knobs.

All the other adjustments can be carried out inside the videointercom. For any necessary maintenance intervention of a specialized technician is mandatory.

The probability of breakdown in the video-intercom systems is obviously greater than in the intercom system. Consequently this brief troubleshooting takes into consideration the most common defects. When a defect is limited to only one videointercom it is evident that the trouble is a short circuit to the videointercom itself, to the connecting terminal board or to the wires that go to the riser. The simplest way to test the efficiency of a videointercom is to connect it in another flat where everything functions correctly.

Preliminary checks

- Check for the presence of the mains voltage between terminals **230** (or **127**) and **0** of the power supply.
- The power supply is not provided with fuses, but all of its outputs are protected against overloading and short circuiting by temperature sensors. To reset the power supply, power must be cut OFF for about one minute and can be restored after having eliminated the problem.
- Check the voltage output of the power supply (see in detail the values indicated in the power supply and control chapter-page 90).
- Check that the cross section of the wire corresponds to what is indicated on page 92 and on the descriptions of each diagram.
- Check that the connection of the wire corresponds to the installation diagram.

Problem, reason and solutions

Videointercoms shut OFF. Ringing tone not present. Control switching ON not functioning.

Absence of main voltage. Short circuits or overloading of the output terminals of the power supply and/or timer. Faulty power supply. Faulty timer.

Videointercoms shut OFF. Ringing tone not present. Control switch ON functioning.

The **D** wire is interrupted. Faulty timer.

Videointercoms turn ON. Absence of image.

The wire **H** that powers the camera is interrupted. The coaxial cable is interrupted or has a short circuit. The shield of the coaxial cable is interrupted. The video distributors (if present) are not being powered. Faulty camera unit.

Control switch ON by videointercoms does not function.

Wire **4** is interrupted. Faulty timer. The system is working.

The system does not shut OFF by replacing the handset.

Such a defect can be due to the non-working audio section from the door station to the videointercoms (see related section). Faulty timer. Faulty electric door speaker.

Unfocused image.

Dirty optics or lens. Faulty camera.

Image only slightly contrasted and/or out of synchronism.

Bad quality of coaxial cable or coaxial cable in dispersion.

Nominal impedance of coaxial cable not of 75Ω. High distance system (use video amplifier art. 476). Check the correct connection of the coaxial cable (see pages 92 and 93).

The electric door lock does not function.

Faulty lock. The cross section of the wires indicated in bold type is insufficient. A connecting wire to the lock has been interrupted. The **9** wire is interrupted. Faulty timer.

Audio section

No audio from both channels.

Absence of power supply voltage between **3** and **4** of the electric door speaker (6÷8Vdc). Short circuit between **3** and **F** of the timer. The **11** wire is interrupted. Faulty timer.

No audio from the videointercoms to the door station.

The **12** or **1** wire (from the timer to the door station) is interrupted or has a short circuit. Absence of the ground connection to terminal **4** of the electric door speaker (amplifier). Faulty electric door speaker.

No audio from the door station to the videointercoms.

The **13** or **2** wire (from the timer to the door station) is interrupted or has a short circuit. Defective electric door speaker (amplifier).

Audio with humming in the background (50/60Hz).

The wires have been canalized together with the cables that power AC loads. Separate the ground connection of the electric door speaker (amplifier) and of the name plate lights, or power them with an additional transformer (see recommendations on page 91). Faulty power supply.

A whistle is heard at the external door station (Larsen effect).

The microphone hole of the external door station might be clogged. Lower the volume.

Radio reception on the door station.

The defect can occur when there is a transmitter working in the proximity. Apply a capacitor from 0.1µF between terminals **1** and **3** of the electric door speaker (amplifier).

Intercommunicating systems

During the intercommunication the door speaker is still connected.

The video system is ON (privacy towards the outside only when the video system is in standby). The module for intercommunicating has not been plugged in the timer art. 1443E. Faulty timer.

No audio in the intercommunicating service.

The wall-brackets of the videointercoms have the **J1** jumper in position of audio privacy (see pages 73, 75, 77, 79 and 80). Defective module for intercommunicating. Faulty timer.

The intercommunicating calls does not work.

Faulty timer. Check that the **X1** and **X2** wires are connected correctly. Check the button connections inside the intercoms.

System with more entrances

Entrance A is never activated.

Short circuit between **5** and **6** of the exchanger. Faulty exchanger.

Entrance B is never activated.

Short circuit between **3** and **4** of the exchanger. Faulty exchanger. No power supply to **1** and **2** of the exchanger (12Vac; 17÷21Vdc).



INSTALLATION DIAGRAMS

The following pages show the installation diagrams that are most commonly used in videointercom systems. Upon request ACI Farfisa can supply installation diagrams for configurations that are not included in this manual.

- **Systems with 1 or more main entrances**
- **Systems with 1 or more main entrances and secondary door stations**
- **Systems with private conversation**
- **Intercommunicating systems without external door station**
- **Intercommunicating systems with 1 or more main entrances**
- **Intercommunicating systems with 1 or more main entrances and secondary door stations**
- **Systems with floor-call**
- **Systems with intercommunicating service between intercoms-video intercoms in individual flats**

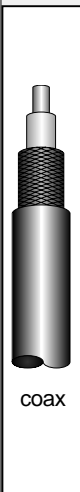
For a clearer understanding of the diagrams, **the sequence of terminals in each individual article has not been followed**. Only the terminal code (letter and/or number) is valid, not the graphic sequence.
Terminals with the same letter or number have the same functions.

The items may have more terminals than the ones shown in the installation diagrams. **The excess terminals must not be connected.**

The **installation diagrams** with 1 or more external door stations contained in this technical manual are shown with only one video intercom for every user. Installation can be customised by combining the applications on pages 126 to 148 with the basic diagrams on pages 99 to 123. For more information see page 124 and 125.

The **installation diagrams** shown from page 99 to 119 and on page 123 can also be used for **one-way installations** by connecting only one video intercom, using only one call wire and not using the floor video distributor (the coaxial cable is directly connected to the video intercom bracket).

The **"Telephony" chapter** contains only some video intercom telephone installation diagrams (page 176 to 187) with application diagrams (see pages 188 to 191); many of diagrams contained in the "Video Intercom" chapter can be used following the instructions on page 170. **Mixed video intercom/video intercom telephone systems with video signal connection by means of twisted pair are not possible.**



coax



ONE-WAY VIDEO INTERCOM SYSTEM CONNECTED TO ONE EXTERNAL DOOR STATION.

Q.ty	Article	Description
1	PT 5160 + WB 5100	Videointercom FLAT + wall bracket
	PT 5660 + WB 5600 + 1283	Videointercom + wall bracket + back box
	PT 5860 + WB 5600	Videointercom reflex + wall bracket
	PV 1260 + WB1200 + 1283	Videointercom + wall bracket + back box
	PV 2160 + WB 2100	Videointercom FLAT + wall bracket
1	1281	Power supply
1	1382	Timer
1	PA **	Door release button (optional)
1	SE **	Electric door lock (12Vac-1A)

Mody series external door station

1	MD72	Back box and module frames
1	MD11	Module for electric door speaker
1	MD82	Hood cover
1	MD92*	Rain shelter
1	MD30	Electric door speaker (amplifier)
1	MD41	Camera

Matrix series external door station

1	MA71	Back box and module frames
1	MA61	Front frame
1	MA43	Camera module with integrated audio and call button

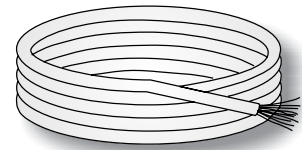
* The rain shelter is used in the place of the back box and hood cover.

** Articles not supplied by ACI Farfisa.

Working instructions. See page 94.

Notes

- If the control switching ON is necessary, connect terminal 4 of the timer (dashed wire).
- For the connection of name plate lamps read notes 6 and 7 of the installation instructions on page 91.
- For wires dimensioning refer to the installation instructions and table on page 92.



1304. MULTI-CORE CABLE

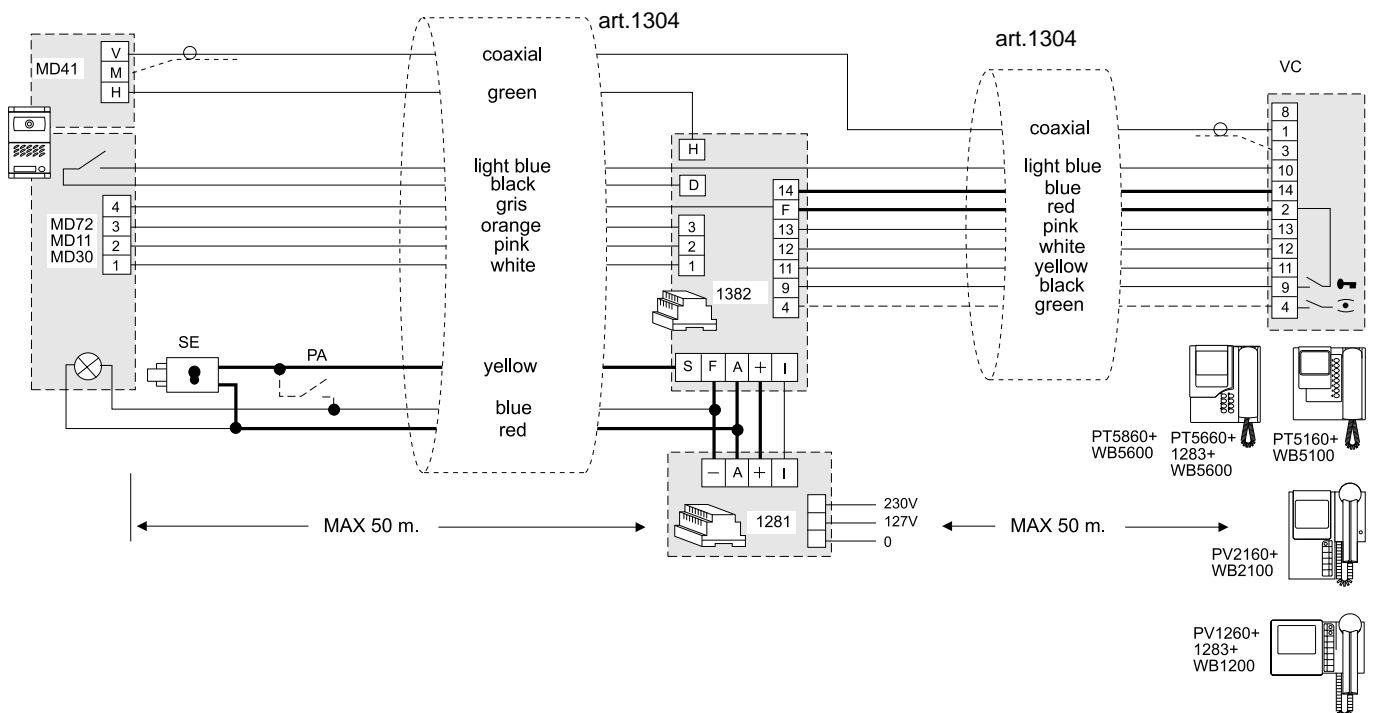
Video intercom cable with 10 wires of different cross-sections and 75Ω coaxial cable. It can be used in systems with a maximum distance of 100 meters (50m between timer and camera unit and 50m between timer and video intercom).

Wire characteristics

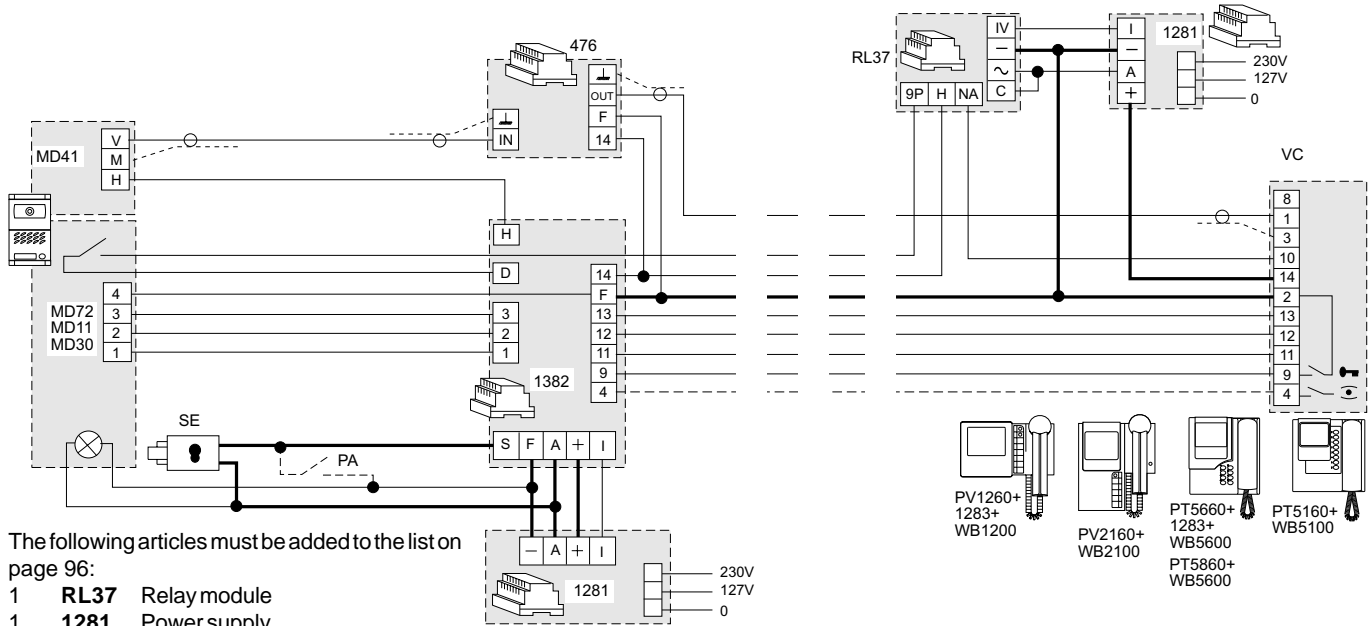
Colour	Cross-section (mm ²)
Red	1
Yellow	0.5
Blue	0.5
Black	0.35
Green	0.35
Orange	0.35
White	0.25
Pink	0.25
Light blue	0.25
Grey	0.25

75Ω low loss **coaxial cable**.

ONE-WAY VIDEO INTERCOM CONNECTION WITH MULTI-CORE CABLE art. 1304



One-way video intercom system with long distance between video intercom and main power supply



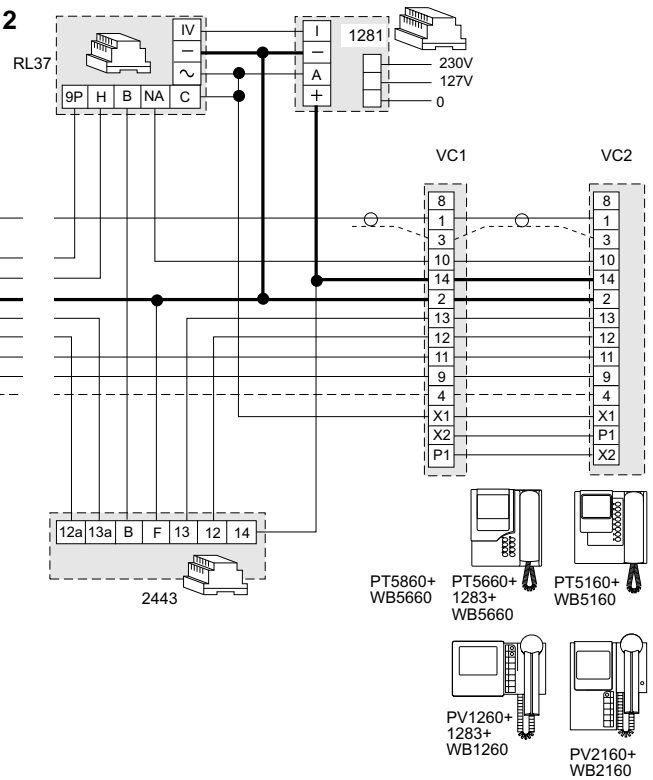
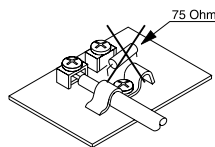
One-way video intercom system with long distance and 2 intercommunicating intercoms

The following articles must be added to the list on page 96:

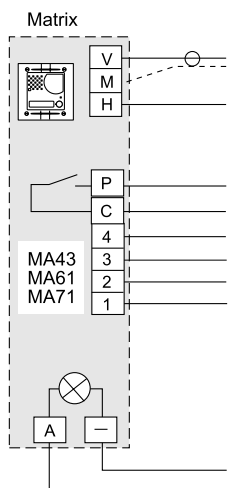
- 1 **RL37** Relay module
- 1 **1281** Power supply
- 1 **476** Video amplifier
- 1 **2443** Amplifier-switcher for intercommunicating

Notes

- To have the intercommunication system you must:
 - use brackets **WB5160** or **WB5660**;
 - check that the **mobile jumper J1** is in position 1-2.
- On the wall bracket of the first video intercom you must **cut** the 75Ω resistance.



Connection with MATRIX series push-button panel



Application of MATRIX push-button panel in one-way installations (pages 96 and 97).



coax

VIDEO INTERCOM SYSTEM CONNECTED TO ONE EXTERNAL DOOR STATION

Diagram ref.	Q.ty	Article	Description
VC	...	PT 5160 + WB 5100	Videointercom FLAT + wall bracket
		PT 5660 + WB 5600 + 1283	Videointercom + wall bracket + back box
		PT 5860 + WB 5600	Videointercom reflex + wall bracket
		PV 1260 + WB1200 + 1283	Videointercom + wall bracket + back box
		PV 2160 + WB 2100	Videointercom FLAT + wall bracket
DV	...	DV2-4	Video distributor
AL	1	1281	Power supply
TR	1	1382	Timer
PA	1	**	Door release button (optional)
SE	1	**	Electric door lock (12Vac-1A)

External door station

Mody series (for the composition see pages 82÷85)

		1 row	2 row	
UR	1	MD41	MD41	Camera module
PB	...	MD72-73-74	MD72-73-74	Back boxes and module frames
	1	MD10-11-12	MD10-122-124	Modules for electric door speaker
	...	MD21 ÷ 24	MD222 ÷ 228	Button modules
	...	MD20 - 50	MD20 - 50	Blank and info modules
	1	MD82 ÷ 812	MD82 ÷ 812	Hood covers
	1	MD92 ÷ 912*	MD92 ÷ 912*	Rain shelters
PE	1	MD30	MD30	Electric door speaker (amplifier)

Matrix series (for the composition see pages 88÷89)

UR	1	MA42-43	Camera modules with integrated audio amplifier
PB	...	MA20-22-24	Blank and button modules
	...	MA61-62-63	Front frames
	...	MA71-72-73	Back boxes and module frames

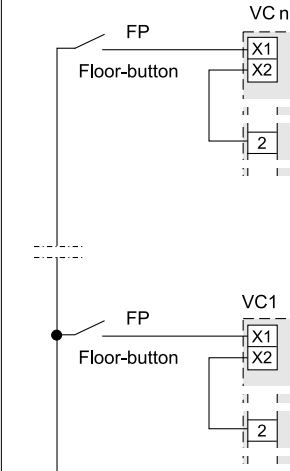
... Refers to number of users.

* The rain shelter is used in the place of the back box and hood cover.

** Articles not supplied by ACI Farfisa.

Floor-call

This working diagram allows for differentiating the floor-call from the call from the push-button panel.



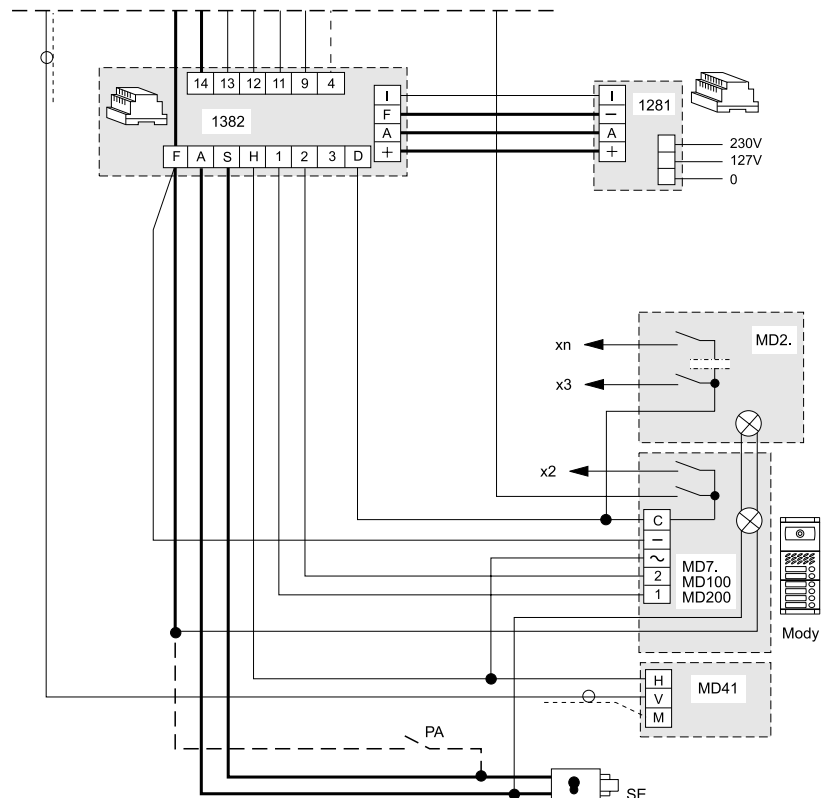
Use expandable fixing brackets WB5160, WB5660, WB1260, WB2160.

Working instructions. See page 94.

Notes

- If the control switching ON is necessary, connect terminal 4 of the timer (dashed wire).
- For the connection of name plate lamps read notes 6, 7 and 8 of the installation instructions on page 91.
- For wires dimensioning and video connection refer to the installation instructions and table on pages 91÷93.

Application of MD100 and MD200 modules in one and multiway systems

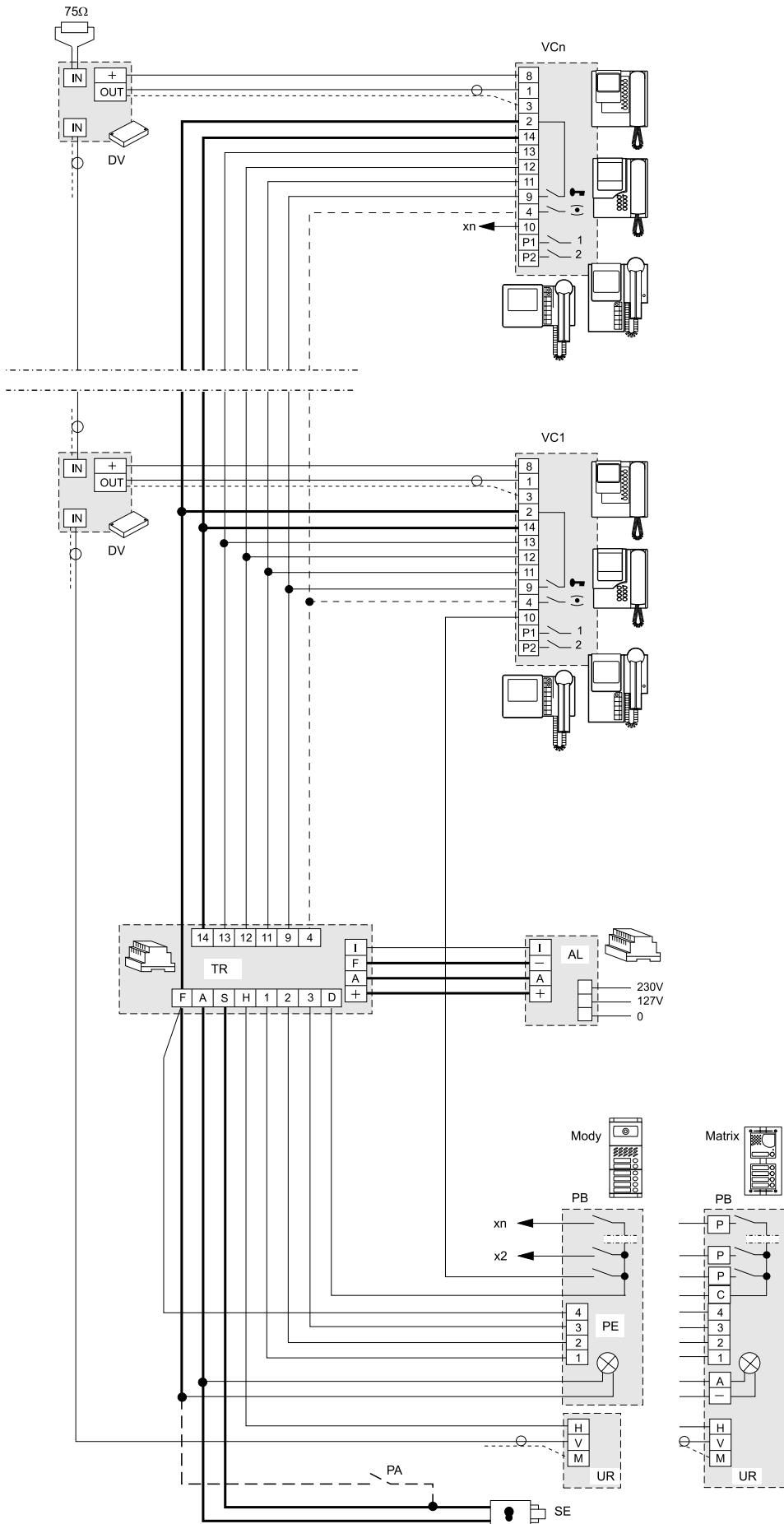


coax

When using MD100 and MD200 amplified external door stations, it is advisable to place this diagram on the diagram of page 99 and line it up with the riser. For AC powered wires refer to the indications on page 91.



VIDEO INTERCOM SYSTEM CONNECTED TO ONE EXTERNAL DOOR STATION



MIXED INTERCOM AND VIDEO INTERCOM SYSTEM CONNECTED TO ONE EXTERNAL DOOR STATION

Diagram ref.	Q.ty	Article	Description
VC	...	PT 5160 + WB 5100	Videointercom FLAT + wall bracket
	...	PT 5660 + WB 5600 + 1283	Videointercom + wall bracket + back box
	...	PT 5860 + WB 5600	Videointercom reflex + wall bracket
	...	PV 1260 + WB1200 + 1283	Videointercom + wall bracket + back box
	...	PV 2160 + WB 2100	Videointercom FLAT + wall bracket
CT	...	PT510	Intercom
	...	PT520	Intercom
SM	...	SM50	Private conversation module
DV	...	DV2-4	Video distributor
AL	1	1281	Power supply
TR	1	1382	Timer
PA	1	**	Door release button (optional)
SE	1	**	Electric door lock (12Vac-1A)

External door station

Mody series (for the composition see pages 82÷85)

		1 row	2 row	
UR	1	MD41	MD41	Camera module
PB	...	MD72-73-74	MD72-73-74	Back boxes and module frames
	1	MD10-11-12	MD10-122-124	Modules for electric door speaker
...	...	MD21 ÷ 24	MD222 ÷ 228	Button modules
...	...	MD20 - 50	MD20 - 50	Blank and info modules
1	1	MD82 ÷ 812	MD82 ÷ 812	Hood covers
1	1	MD92 ÷ 912*	MD92 ÷ 912*	Rain shelters
PE	1	MD30	MD30	Electric door speaker (amplifier)

Matrix series (for the composition see pages 88÷89)

UR	1	MA42-43	Camera modules with integrated audio amplifier
PB	...	MA20-22-24	Blank and button modules
	...	MA61-62-63	Front frames
	...	MA71-72-73	Back boxes and module frames

... Refers to number of users.

* The rain shelter is used in the place of the back box and hood cover.

** Articles not supplied by ACI Farfisa.

Working instructions

It is similar to the basic system described on page 94, but with the following variations:

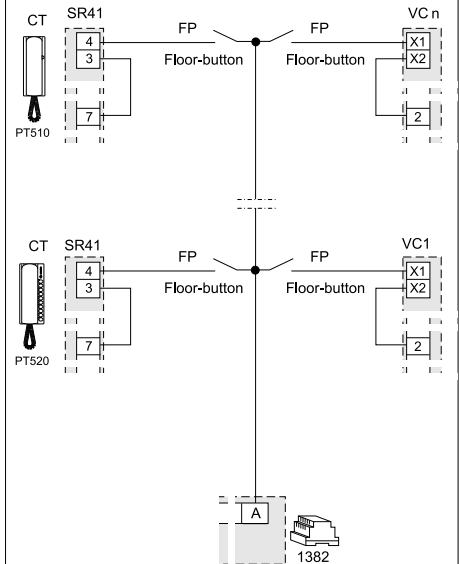
- from the intercom the user has about 40 seconds to answer by lifting the handset and therefore can speak for an unlimited time with video privacy towards the other users. By replacing the handset the system shuts itself OFF.

Notes

- If the control switching ON is necessary, connect terminal 4 of the timer (dashed wire).
- If no private conversation feature is required, all intercoms in the "Intercom" chapter can be used.
- For the connection of name plate lamps read notes 6, 7 and 8 of the installation instructions on page 91.
- For wires dimensioning and video connection refer to the installation instructions and table on pages 91÷93.

Floor-call for mixed intercom and video-intercom systems

This working diagram allows for differentiating the floor-call from the call from the push-button panel.



Use expandable fixing brackets WB5160, WB5660, WB1260, WB2160. Insert buzzer SR41 in intercoms with or without private conversation feature.

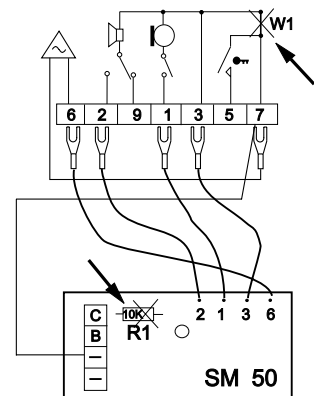
Application of MD100 and MD200 modules

When using **MD100** and **MD200** amplified external door stations, it is recommended to combine the diagram on page 98 with diagram on page 101 by aligning it to the riser. For wires with alternate power supply refer to directions on page 91.

Private conversation

- In video intercoms the private conversation feature is permitted by the **jumper J1 (position 2-3)** located on the fixing bracket. In intercoms you must:
- insert the private conversation module art. **SM50**;
 - **to cut the jumper W1** that links the terminals 3 and 7.
 - **move the connection** of the buzzer from terminal 3 to 7.
 - make the connection between terminal 7 of the intercom and the - (minus) of the privacy module.

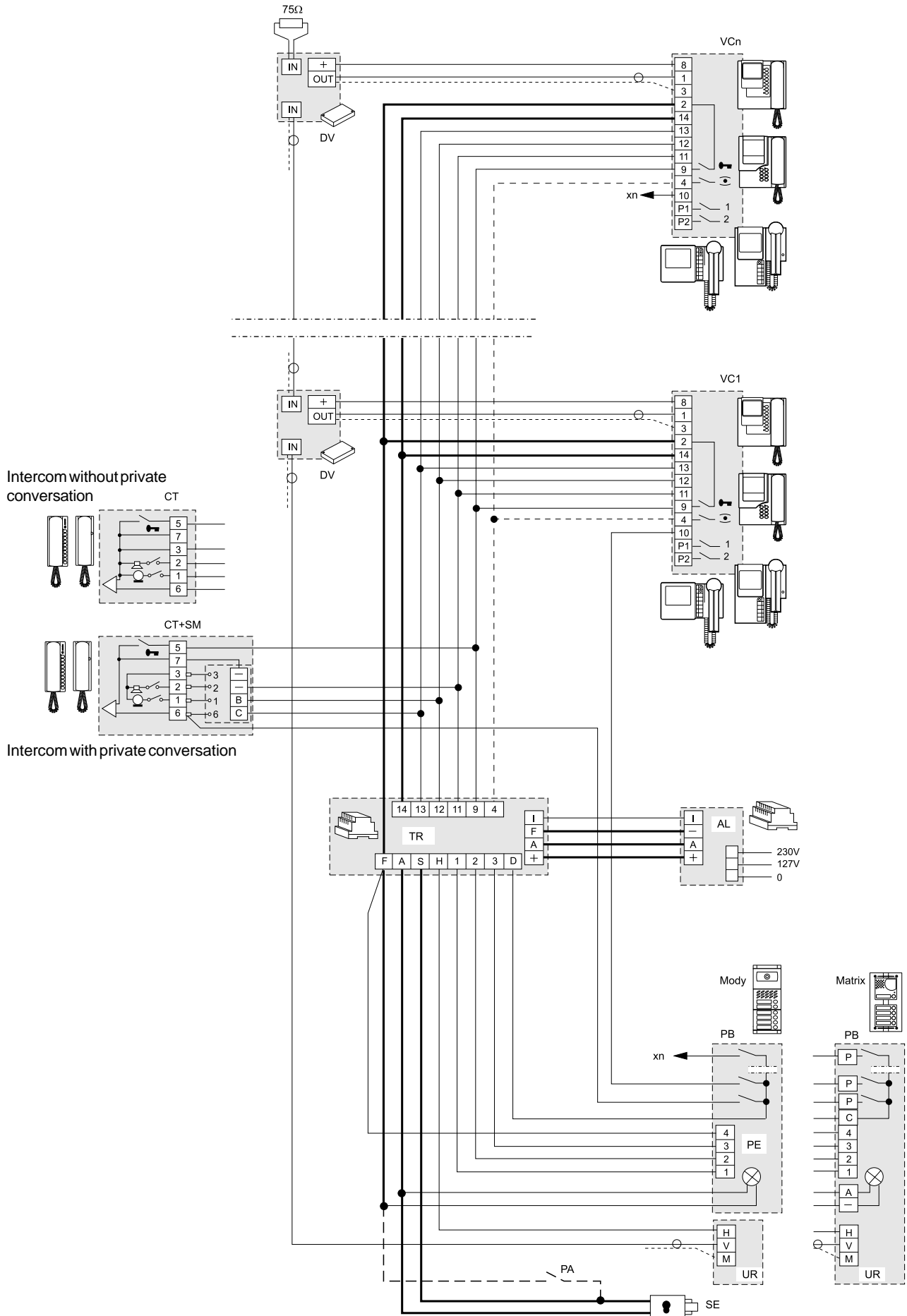
Cut the resistance R1 in all of the privacy modules.



coax



MIXED INTERCOM AND VIDEO INTERCOM SYSTEM CONNECTED TO ONE EXTERNAL DOOR STATION



coax



VIDEO INTERCOM SYSTEM CONNECTED TO ONE EXTERNAL DOOR STATION WITH SURVEILLANCE CAMERA

Diagram ref.	Q.ty	Article	Description
VC	...	PT 5160 + WB 5100	Videointercom FLAT + wall bracket
	...	PT 5660 + WB 5600 + 1283	Videointercom + wall bracket + back box
	...	PT 5860 + WB 5600	Videointercom reflex + wall bracket
	...	PV 1260 + WB1200 + 1283	Videointercom + wall bracket + back box
	...	PV 2160 + WB 2100	Videointercom FLAT + wall bracket
DV	...	DV2-4	Video distributor
AL	1	1281	Power supply
TR	1	1382	Timer
IN	1	1471	Relay unit (optional)
TVT	1	TVT...	CCTV camera
H	1	H...	Lens with or without autoiris
CU	1	CU...	Outdoor heated housing
AST	1	AST...	Bracket for camera or housing
APS	1	APS...	Power supply for camera
LL	1	**	Lamp with maximum power 800W (optional)
PA	1	**	Door release button (optional)
SE	1	**	Electric door lock (12Vac-1A)

External door station

Mody series (for the composition see pages 82÷85)

		1 row	2 row	
PB	...	MD72-73-74	MD72-73-74	Back boxes and module frames
	1	MD10-11-12	MD10-122-124	Modules for electric door speaker
	...	MD21 ÷ 24	MD222 ÷ 228	Button modules
	...	MD20 - 50	MD20 - 50	Blank and info modules
	1	MD82 ÷ 812	MD82 ÷ 812	Hood covers
PE	1	MD92 ÷ 912*	MD92 ÷ 912*	Rain shelters
	1	MD30	MD30	Electric door speaker (amplifier)

Matrix series (for the composition see pages 88÷89)

PB	...	MA20-22-24	Blank and button modules
	...	MA61-62-63	Front frames
	...	MA71-72-73	Back boxes and module frames
PE	1	MA10P÷12P	Modules with integrated audio amplifier

... Refers to number of users.

* The rain shelter is used in the place of the back box and hood cover.

** Articles not supplied by ACI Farfisa.

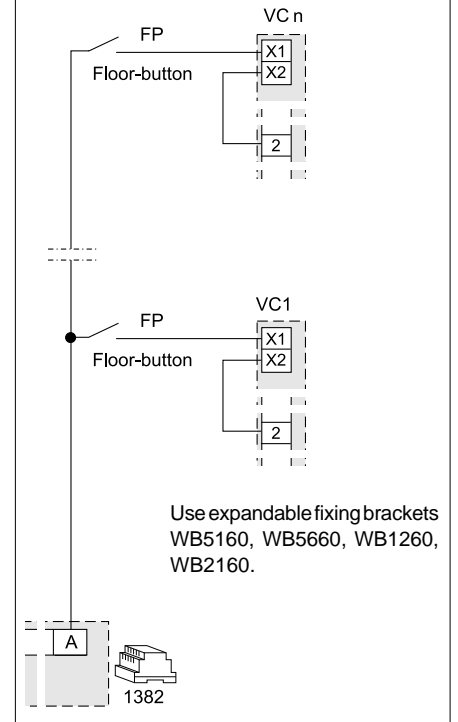
Working instructions. See page 94.

Notes

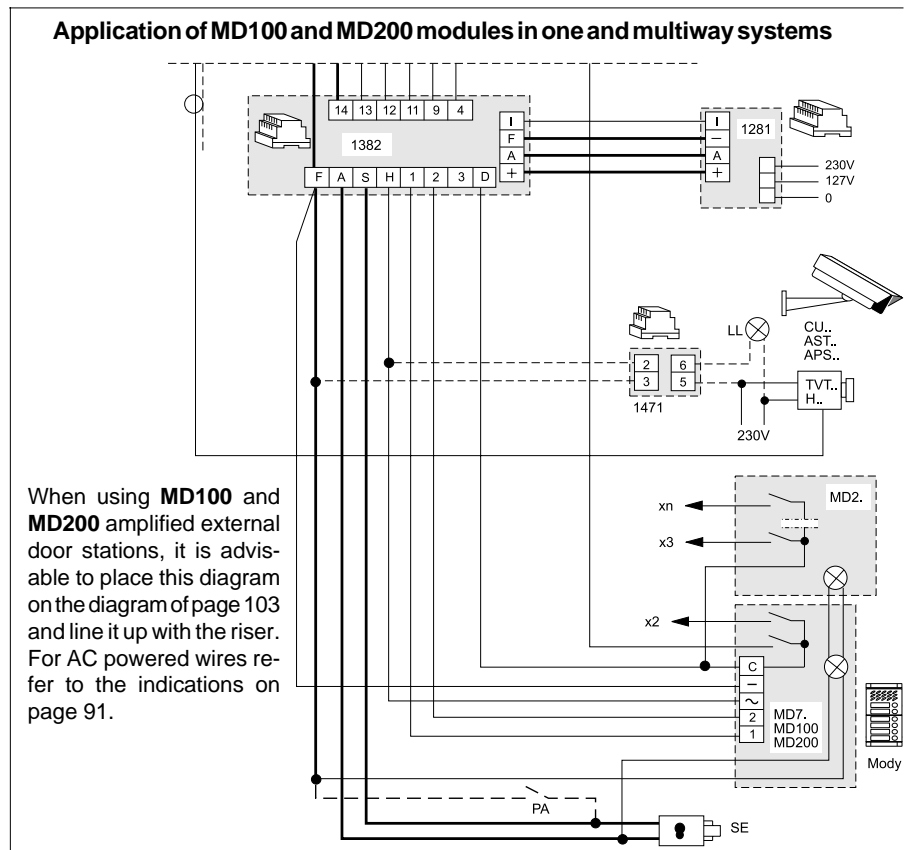
- If the control switching ON is necessary, connect terminal 4 of the timer (dashed wire).
- For the connection of name plate lamps read notes 6, 7 and 8 of the installation instructions on page 91.
- For wires dimensioning and video connection refer to the installation instructions and table on pages 91÷93.
- For **one-way systems** connect the coaxial cable to the monitor bracket directly, without using the DV video distributor.
- For the selection of CCTV equipment see the general catalogue.

Floor-call

This working diagram allows for differentiating the floor-call from the call from the push-button panel.



Application of MD100 and MD200 modules in one and multiway systems



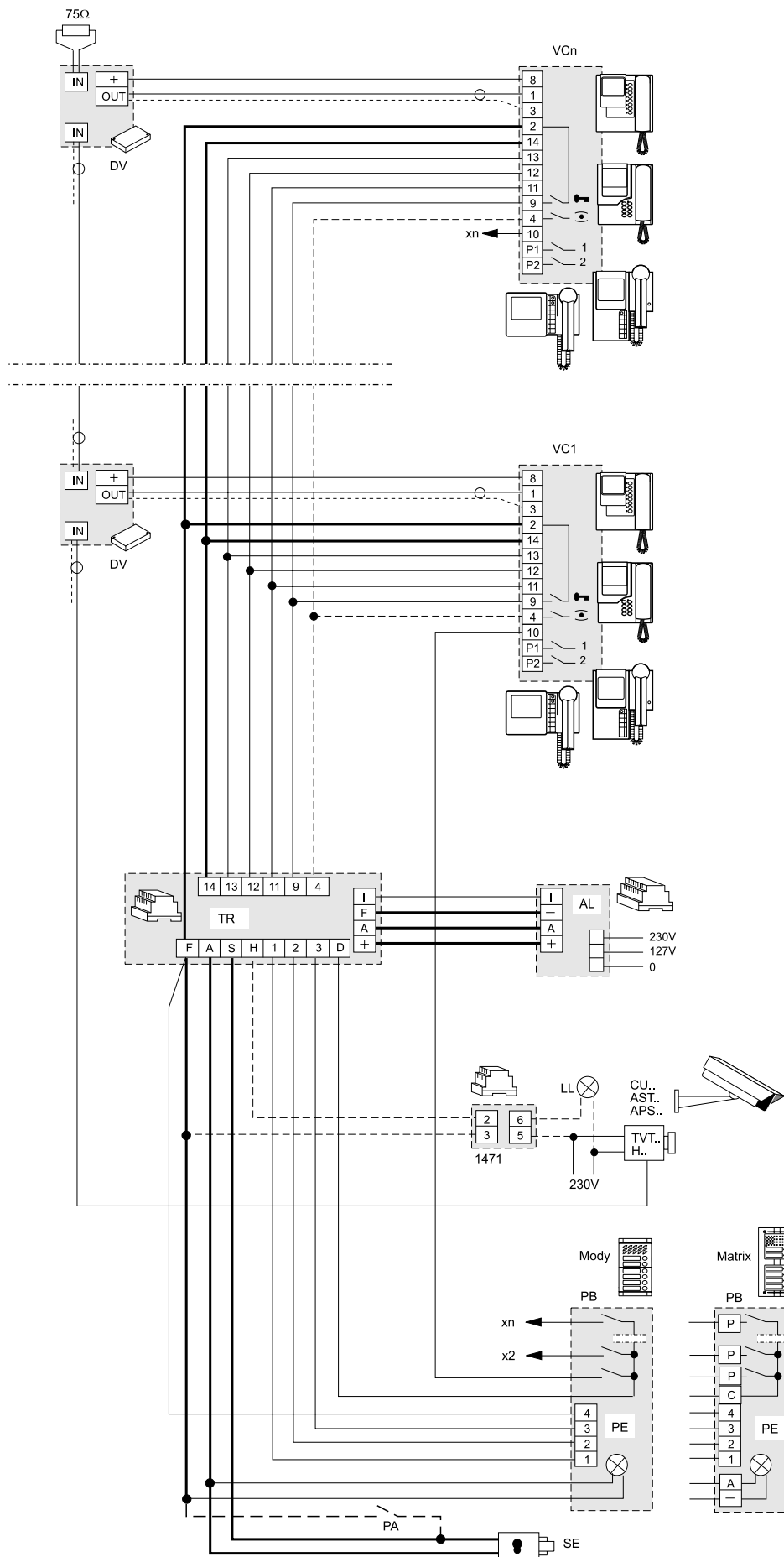
When using **MD100** and **MD200** amplified external door stations, it is advisable to place this diagram on the diagram of page 103 and line it up with the riser. For AC powered wires refer to the indications on page 91.



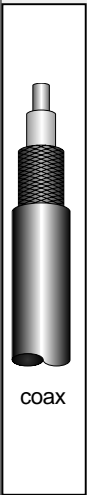
coax



VIDEO INTERCOM SYSTEM CONNECTED TO ONE EXTERNAL DOOR STATION WITH SURVEILLANCE CAMERA



INTERCOMS * VIDEOINTERCOMS * TELECOMMUNICATION



VIDEO INTERCOM SYSTEM CONNECTED TO TWO EXTERNAL DOOR STATIONS

Diagram ref.	Q.ty	Article	Description
VC	...	PT 5160 + WB 5100	Videointercom FLAT + wall bracket
		PT 5660 + WB 5600 + 1283	Videointercom + wall bracket + back box
		PT 5860 + WB 5600	Videointercom reflex + wall bracket
		PV 1260 + WB1200 + 1283	Videointercom + wall bracket + back box
		PV 2160 + WB 2100	Videointercom FLAT + wall bracket
DV	...	DV2-4	Video distributor
AL	1	1281	Power supply
TR	1	1382	Timer
DS	1	1273TV	Exchanger
PA	2	**	Door release button (optional)
SE	2	**	Electric door lock (12Vac-1A)

External door station

Mody series (for the composition see pages 82÷85)

		1 row	2 row	
UR	2	MD41	MD41	Camera module
PB	...	MD72-73-74	MD72-73-74	Back boxes and module frames
	2	MD10-11-12	MD10-122-124	Modules for electric door speaker
	...	MD21 ÷ 24	MD222 ÷ 228	Button modules
	...	MD20 - 50	MD20 - 50	Blank and info modules
	2	MD82 ÷ 812	MD82 ÷ 812	Hood covers
	2	MD92 ÷ 912*	MD92 ÷ 912*	Rain shelters
PE	2	MD30	MD30	Electric door speaker

Matrix series (for the composition see pages 88÷89)

UR	2	MA42-43	Camera modules with integrated audio amplifier
PB	...	MA20-22-24	Blank and button modules
	...	MA61-62-63	Front frames
	...	MA71-72-73	Back boxes and module frames

... Refers to number of users.

* The rain shelter is used in the place of the back box and hood cover.

** Articles not supplied by ACI Farfisa.

Notes

- To have the control switch ON for the 2 video entrances it is necessary to make the dashed line connections and use **WB5160, WB5660, WB2160, WB1260** wall brackets. The wall brackets are configured to work without the audio privacy, to restore it the **jumper J1** must be moved (see pages 73, 75, 77, 79 and 80).
- For the connection of name plate lamps read notes 6, 7 and 8 of the installation instructions on page 91.
- For wires dimensioning and video connection refer to the installation instructions and table on pages 91÷93.
- For **one-way systems** connect the coaxial cable to the monitor bracket directly, without using the **DV** video distributor.

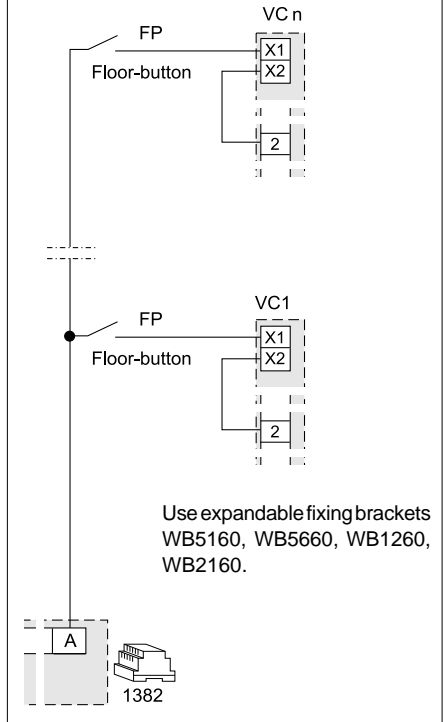
Working instructions

It is similar to the basic system described on page 94, but with the following variations:

- The audio-video operations and the door lock release are automatically switched at the time of the call or with the control switch ON.

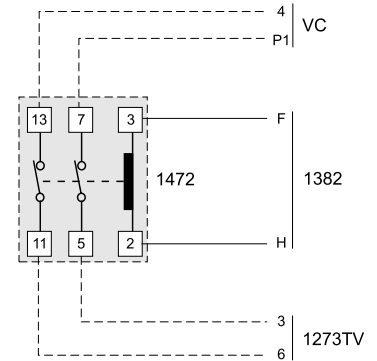
Floor-call

This working diagram allows for differentiating the floor-call from the call from the push-button panel.



Control switching ON deactivation

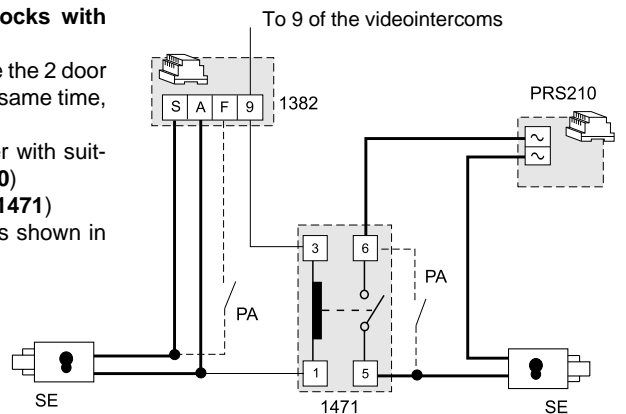
To activate the control switching ON from the videointercoms only when the system is in standby, it is necessary to install a 2-exchange relay (type **1472**) and connect it as shown on the diagram.



Connection of 2 door locks with simultaneous opening

If it is necessary to operate the 2 door locks of the system at the same time, you must:

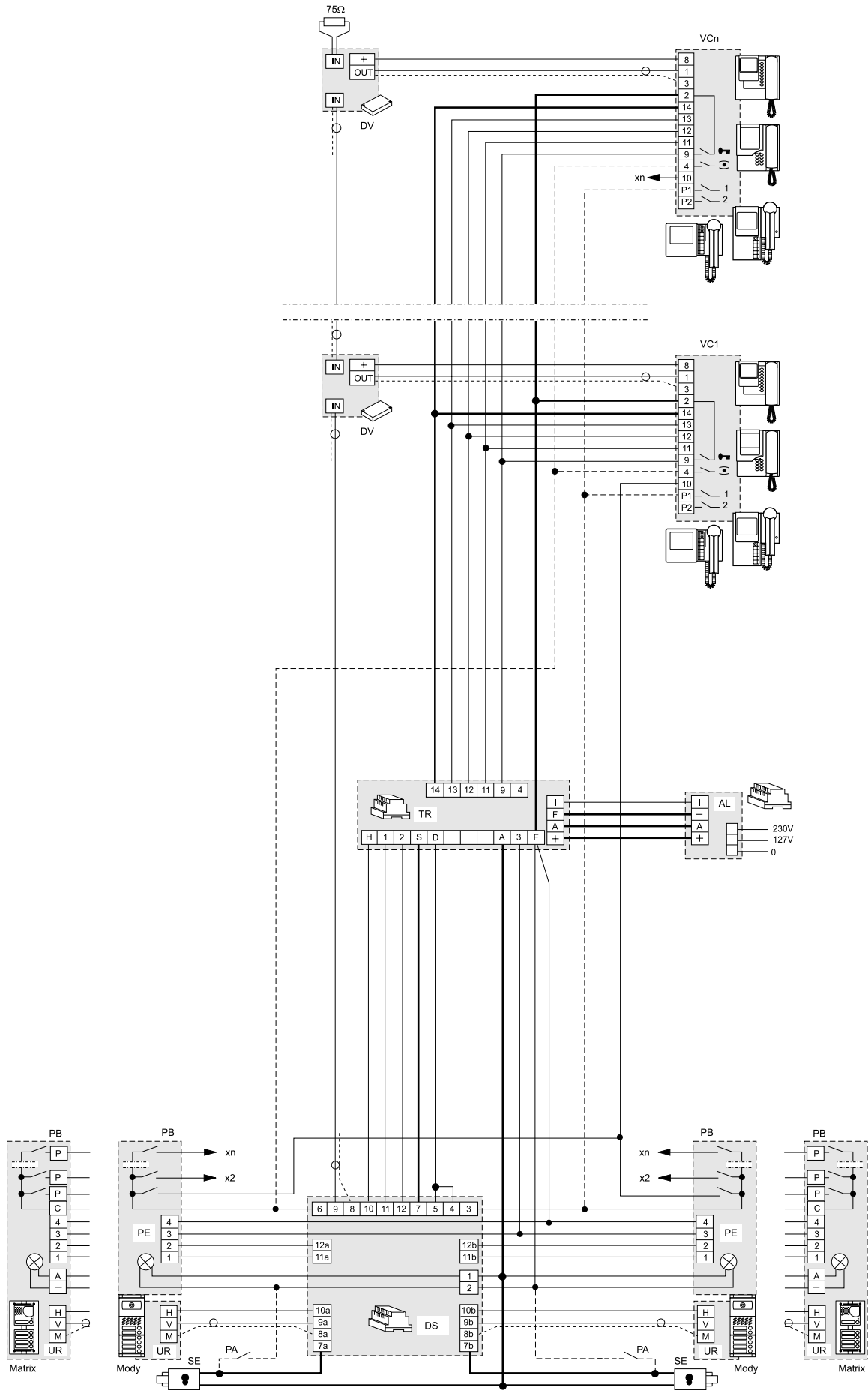
- add a 12Vac transformer with suitable power (type **PRS210**)
- add a 12Vac relay (type **1471**)
- make the connections as shown in the diagram below.



coax



VIDEO INTERCOM SYSTEM CONNECTED TO TWO EXTERNAL DOOR STATIONS



COAX



VIDEO INTERCOM SYSTEM CONNECTED TO TWO EXTERNAL DOOR STATIONS, ONE OF WHICH ONLY AUDIO

Diagram ref.	Q.ty	Article	Description
VC	...	PT 5160 + WB 5100	Videointercom FLAT + wall bracket
		PT 5660 + WB 5600 + 1283	Videointercom + wall bracket + back box
		PT 5860 + WB 5600	Videointercom reflex + wall bracket
		PV 1260 + WB1200 + 1283	Videointercom + wall bracket + back box
		PV 2160 + WB 2100	Videointercom FLAT + wall bracket
DV	...	DV2-4	Video distributor
AL	1	1281	Power supply
TR	1	1382	Timer
DS	1	1473	Exchanger
PA	2	**	Door release button (optional)
SE	2	**	Electric door lock (12Vac-1A)

External door station

Mody series (for the composition see pages 82÷85)

		1 row	2 row	
UR	1	MD41	MD41	Camera module
PB	...	MD72-73-74	MD72-73-74	Back boxes and module frames
	2	MD10-11-12	MD10-122-124	Modules for electric door speaker
	...	MD21 ÷ 24	MD222 ÷ 228	Button modules
	...	MD20 - 50	MD20 - 50	Blank and info modules
	2	MD82 ÷ 812	MD82 ÷ 812	Hood covers
	2	MD92 ÷ 912*	MD92 ÷ 912*	Rain shelters
PE	2	MD30	MD30	Electric door speaker (amplifier)

Matrix series (for the composition see pages 88÷89)

UR	1	MA42-43	Camera modules with integrated audio amplifier
PE	1	MA10P÷MA12P	Modules with integrated audio
PB	...	MA20-22-24	Blank and button modules
	...	MA61-62-63	Front frames
	...	MA71-72-73	Back boxes and module frames

... Refers to number of users.

* The rain shelter is used in the place of the back box and hood cover.

** Articles not supplied by ACI Farfisa.

Notes

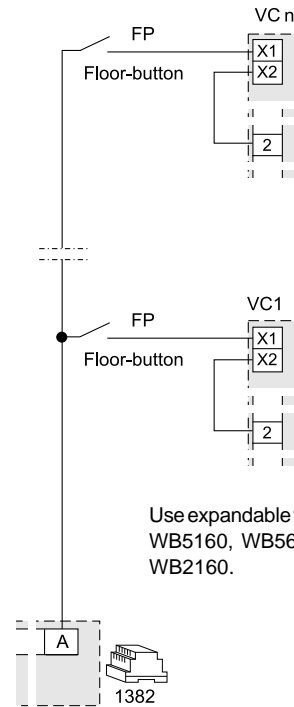
- If the control switching ON is necessary, connect terminal 4 of the timer (dashed wire).
- For the connection of name plate lamps read notes 6, 7 and 8 of the installation instructions on page 91.
- For wires dimensioning and video connection refer to the installation instructions and table on pages 91÷93.
- For **one-way systems** connect the coaxial cable to the monitor bracket directly, without using the DV video distributor.

Working instructions

- It is similar to the basic system described on page 94, but with the following variations:
- Carrying out a call from the entrance only audio, the corresponding monitor turns itself ON without images.
 - The audio-video operations and the door lock release are automatically switched at the time of the call or with the control switch ON.

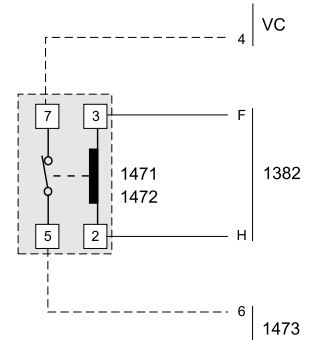
Floor-call

This working diagram allows for differentiating the floor-call from the call from the push-button panel.



Control switching ON deactivation

To activate the control switching ON from the videointercoms only when the system is in standby, it is necessary to install a relay (type 1471 or 1472) and connect it as shown on the diagram.

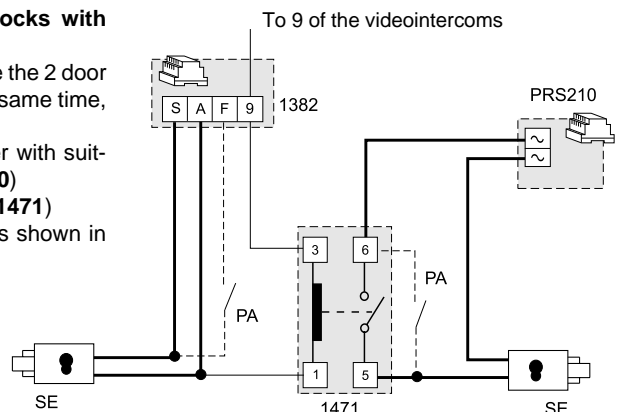


VC is a reference on the diagrams

Connection of 2 door locks with simultaneous opening

If it is necessary to operate the 2 door locks of the system at the same time, you must:

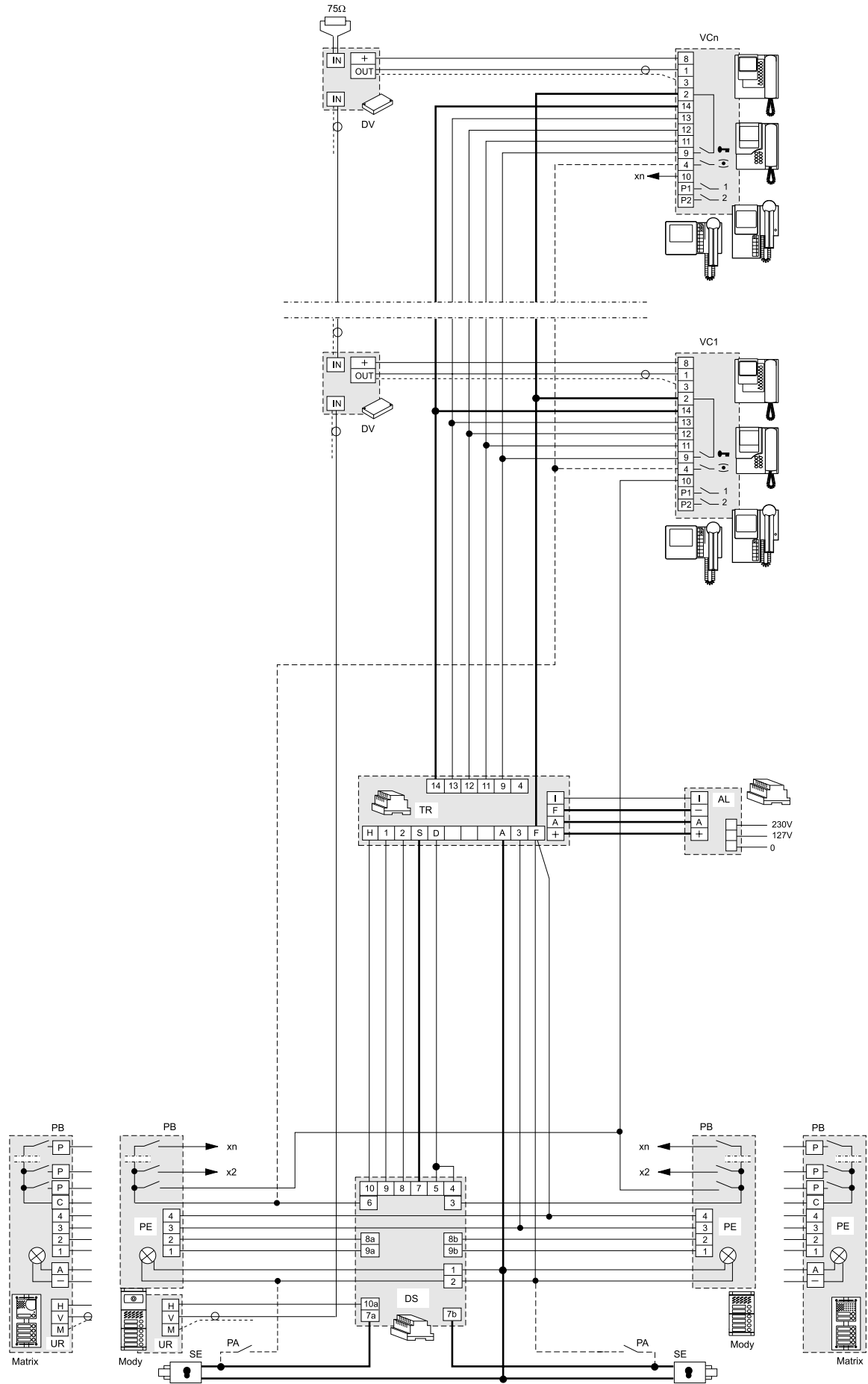
- add a 12Vac transformer with suitable power (type PRS210)
- add a 12Vac relay (type 1471)
- make the connections as shown in the diagram below.



coax



VIDEO INTERCOM SYSTEM CONNECTED TO TWO EXTERNAL DOOR STATIONS, ONE OF WHICH ONLY AUDIO



COAX



VIDEO INTERCOM SYSTEM CONNECTED TO THREE EXTERNAL DOOR STATIONS

Diagram ref.	Q.ty	Article	Description
VC	...	PT 5160 + WB 5100	Videointercom FLAT + wall bracket
		PT 5660 + WB 5600 + 1283	Videointercom + wall bracket + back box
		PT 5860 + WB 5600	Videointercom reflex + wall bracket
		PV 1260 + WB1200 + 1283	Videointercom + wall bracket + back box
		PV 2160 + WB 2100	Videointercom FLAT + wall bracket
DV	...	DV2-4	Video distributor
AL	1	1281	Power supply
TR	1	1382	Timer
DS	2	1273TV	Exchanger
PA	3	**	Door release button (<i>optional</i>)
SE	3	**	Electric door lock (12Vac-1A)

External door station

Mody series (for the composition see pages 82÷85)

		1 row	2 row	
UR	3	MD41	MD41	Camera module
PB	...	MD72-73-74	MD72-73-74	Back boxes and module frames
	3	MD10-11-12	MD10-122-124	Modules for electric door speaker
	...	MD21 ÷ 24	MD222 ÷ 228	Button modules
	...	MD20 - 50	MD20 - 50	Blank and info modules
	3	MD82 ÷ 812	MD82 ÷ 812	Hood covers
	3	MD92 ÷ 912*	MD92 ÷ 912*	Rain shelters
PE	3	MD30	MD30	Electric door speaker (amplifier)

Matrix series (for the composition see pages 88÷89)

UR	3	MA42-43	Camera modules with integrated audio amplifier
PB	...	MA20-22-24	Blank and button modules
	...	MA61-62-63	Front frames
	...	MA71-72-73	Back boxes and module frames

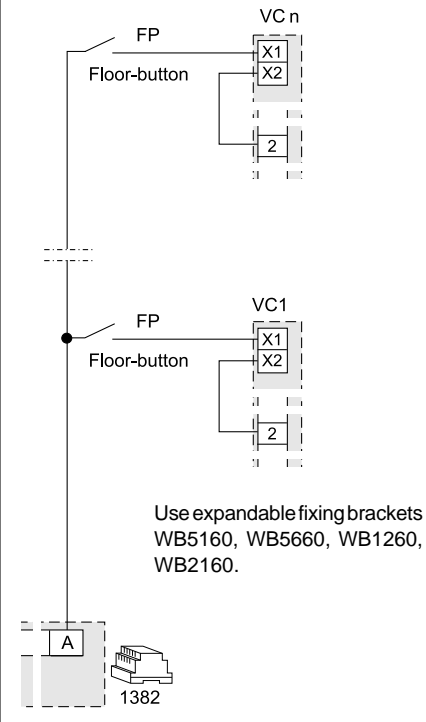
... Refers to number of users.

* The rain shelter is used in the place of the back box and hood cover.

** Articles not supplied by ACI Farfisa.

Floor-call

This working diagram allows for differentiating the floor-call from the call from the push-button panel.



Notes

- To have the control switch ON for the 3 video entrances it is necessary to make the dashed line connections and use **WB5160, WB5660, WB2160, WB1260** wall brackets. The wall brackets are configured to work without the audio privacy, to restore it the **jumper J1** must be moved (see pages 73, 75, 77, 79 and 80).
- For the connection of name plate lamps read notes 6, 7 and 8 of the installation instructions on page 91.
- For wires dimensioning and video connection refer to the installation instructions and table on pages 91÷93.
- For **one-way systems** connect the coaxial cable to the monitor bracket directly, without using the **DV** video distributor.

Working instructions

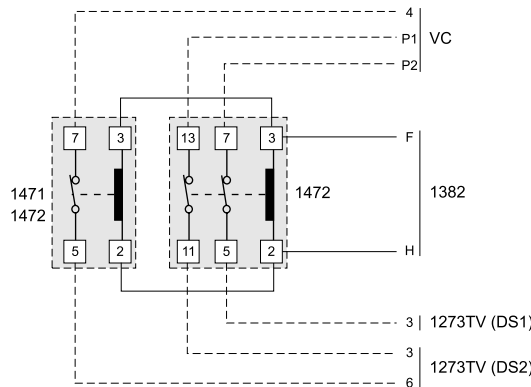
It is similar to the basic system described on page 94, but with the following variations:

- The audio-video operations and the door lock release are automatically switched at the time of the call or with the control switch ON.

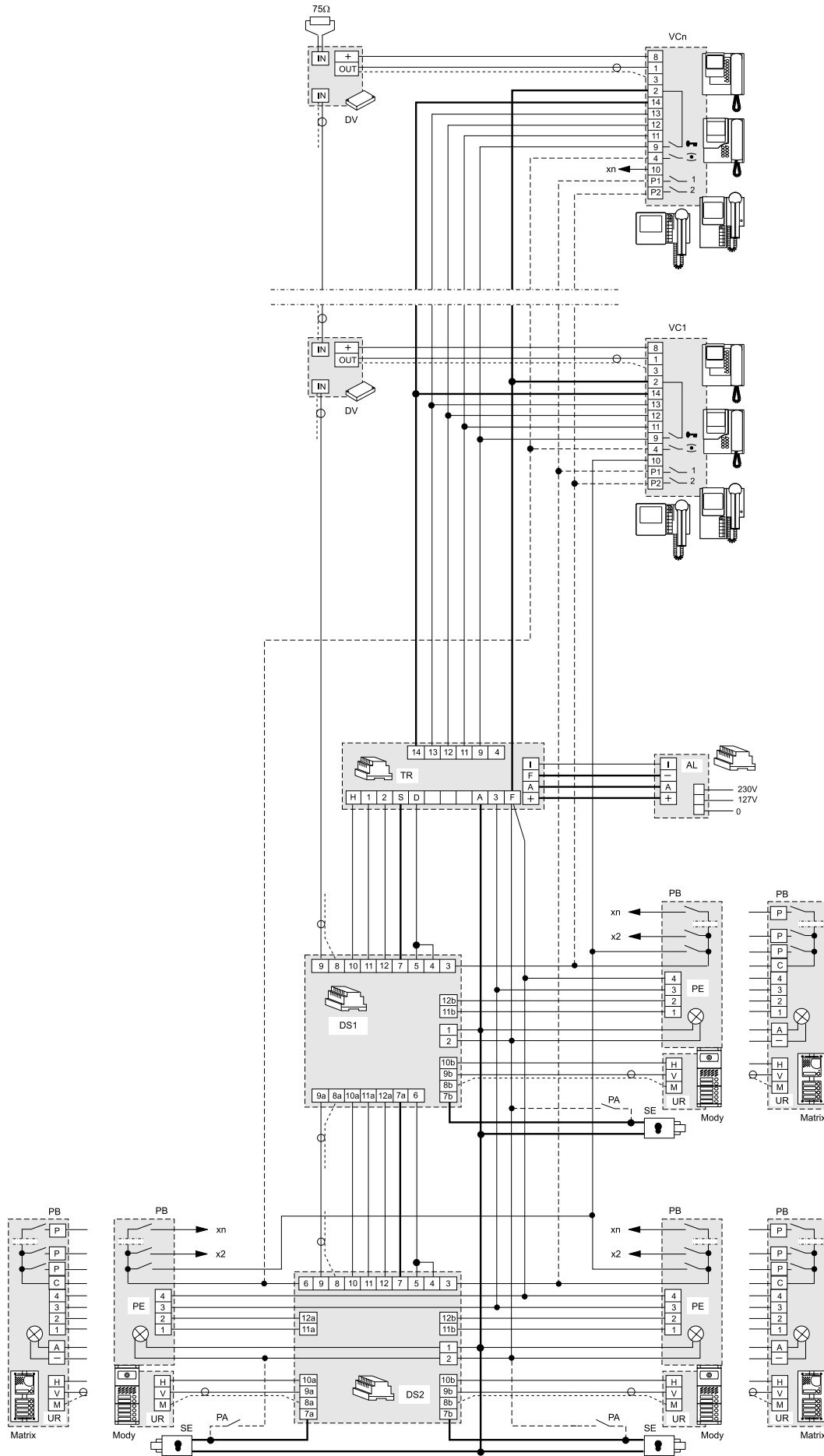
Control switching ON deactivation

To activate the control switching ON from the videointercoms only when the system is in standby, it is necessary to install a 2-exchange relay (type **1472**) and connect it as shown on the diagram.

VC, DS1 and DS2 are a reference on the diagrams



VIDEO INTERCOM SYSTEM CONNECTED TO THREE EXTERNAL DOOR STATIONS



COAX



VIDEO INTERCOM SYSTEM CONNECTED TO THREE EXTERNAL DOOR STATIONS, ONE OF WHICH ONLY AUDIO

Diagram ref.	Q.ty	Article	Description
VC	...	PT 5160 + WB 5100	Videointercom FLAT + wall bracket
	...	PT 5660 + WB 5600 + 1283	Videointercom + wall bracket + back box
	...	PT 5860 + WB 5600	Videointercom reflex + wall bracket
	...	PV 1260 + WB1200 + 1283	Videointercom + wall bracket + back box
	...	PV 2160 + WB 2100	Videointercom FLAT + wall bracket
DV	...	DV2-4	Video distributor
AL	1	1281	Power supply
TR	1	1382	Timer
DS1	1	1473	Exchanger
DS2	1	1273TV	Exchanger
PA	3	**	Door release button (optional)
SE	3	**	Electric door lock (12Vac-1A)

External door station

Mody series (for the composition see pages 82÷85)

		1 row	2 row	
UR	2	MD41	MD41	Camera module
PB	...	MD72-73-74	MD72-73-74	Back boxes and module frames
	...	MD10-11-12	MD10-122-124	Modules for electric door speaker
	...	MD21 ÷ 24	MD222 ÷ 228	Button modules
	...	MD20 - 50	MD20 - 50	Blank and info modules
PE	3	MD82 ÷ 812	MD82 ÷ 812	Hood covers
	3	MD92 ÷ 912*	MD92 ÷ 912*	Rain shelters
	3	MD30	MD30	Electric door speaker (amplifier)

Matrix series (for the composition see pages 88÷89)

UR	2	MA42-43	Camera modules with integrated audio amplifier
PE	1	MA10P÷12P	Modules with integrated audio
PB	...	MA20-22-24	Blank and button modules
	...	MA61-62-63	Front frames
	...	MA71-72-73	Back boxes and module frames

... Refers to number of users.

* The rain shelter is used in the place of the back box and hood cover.

** Articles not supplied by ACI Farfisa.

Notes

- To have the control switch ON for the 2 video entrances it is necessary to make the dashed line connections and use **WB5160, WB5660, WB2160, WB1260** wall brackets. The wall brackets are configured to work without the audio privacy, to restore it the **jumper J1** must be moved (see pages 73, 75, 77, 79 and 80).
- For the connection of name plate lamps read notes 6, 7 and 8 of the installation instructions on page 91.
- For wires dimensioning and video connection refer to the installation instructions and table on pages 91÷93.
- For **one-way systems** connect the coaxial cable to the monitor bracket directly, without using the **DV** video distributor.

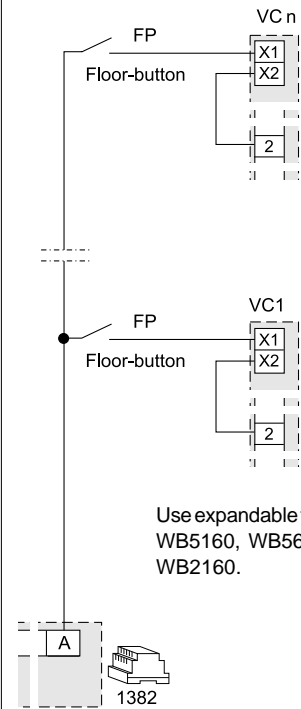
Working instructions

It is similar to the basic system described on page 94, but with the following variations:

- Carrying out a call from the entrance only audio, the corresponding monitor turns itself ON without images.
- The audio-video operations and the door lock release are automatically switched at the time of the call or with the control switch ON.

Floor-call

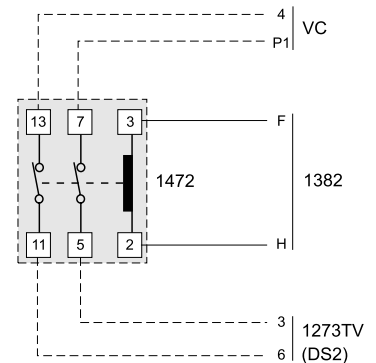
This working diagram allows for differentiating the floor-call from the call from the push-button panel.



Control switching ON deactivation

To activate the control switching ON from the videointercoms only when the system is in standby, it is necessary to install a 2-exchange relay (type **1472**) and connect it as shown on the diagram.

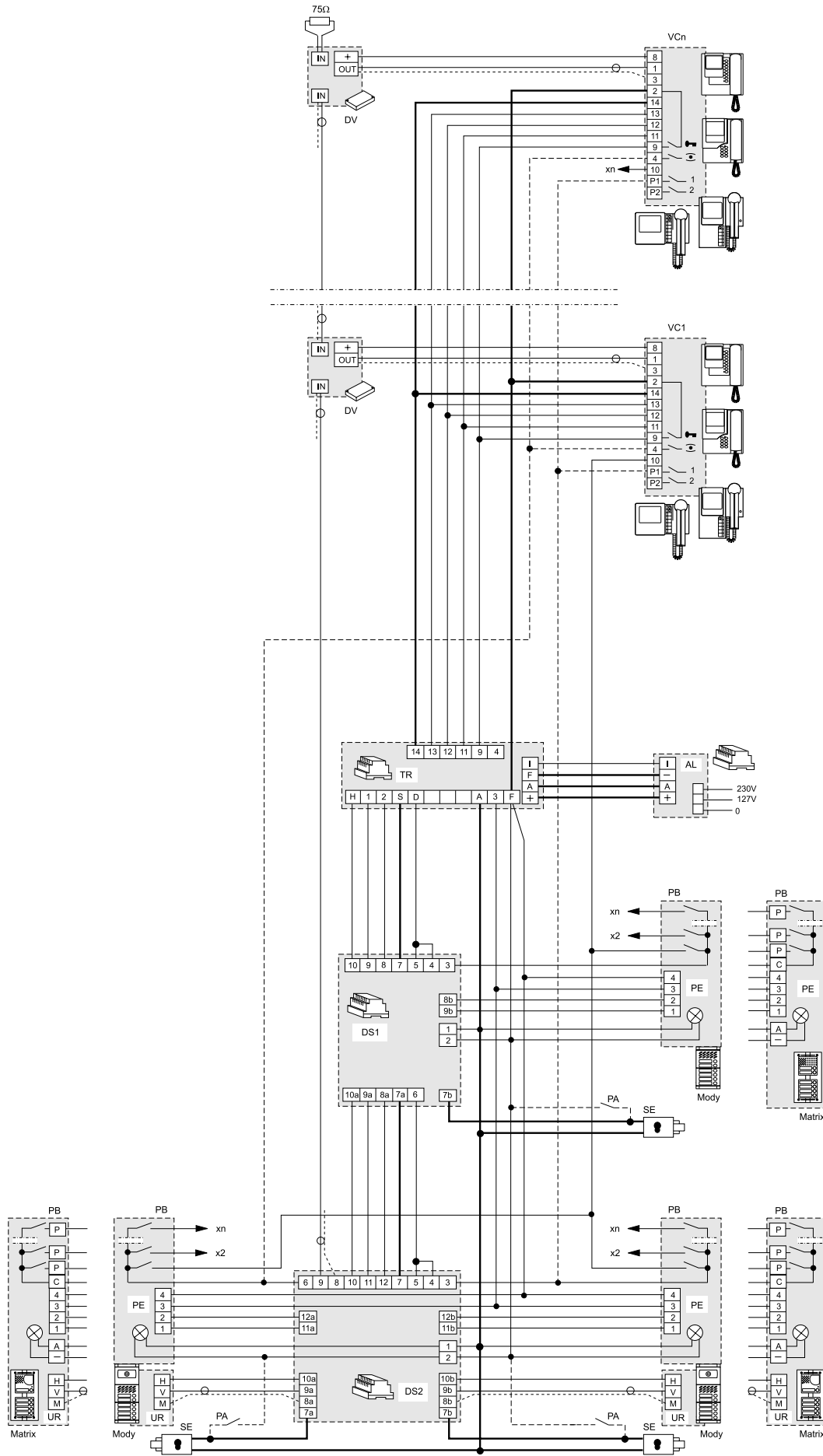
VC and DS2 are a reference on the diagrams



coax



VIDEO INTERCOM SYSTEM CONNECTED TO THREE EXTERNAL DOOR STATIONS, ONE OF WHICH ONLY AUDIO



VIDEO INTERCOM SYSTEM CONNECTED TO THREE EXTERNAL DOOR STATIONS, TWO OF WHICH ONLY AUDIO

Diagram ref.	Q.ty	Article	Description
VC	...	PT 5160 + WB 5100	Videointercom FLAT + wall bracket
	...	PT 5660 + WB 5600 + 1283	Videointercom + wall bracket + back box
	...	PT 5860 + WB 5600	Videointercom reflex + wall bracket
	...	PV 1260 + WB1200 + 1283	Videointercom + wall bracket + back box
	...	PV 2160 + WB 2100	Videointercom FLAT + wall bracket
DV	...	DV2-4	Video distributor
AL	1	1281	Power supply
TR	1	1382	Timer
DS	2	1473	Exchanger
PA	3	**	Door release button (<i>optional</i>)
SE	3	**	Electric door lock (12Vac-1A)

External door station

Mody series (for the composition see pages 82÷85)

		1 row	2 row	
UR	1	MD41	MD41	Camera module
PB	...	MD72-73-74	MD72-73-74	Back boxes and module frames
	3	MD10-11-12	MD10-122-124	Modules for electric door speaker
	...	MD21 ÷ 24	MD222 ÷ 228	Button modules
	...	MD20 - 50	MD20 - 50	Blank and info modules
	3	MD82 ÷ 812	MD82 ÷ 812	Hood covers
	3	MD92 ÷ 912*	MD92 ÷ 912*	Rain shelters
PE	3	MD30	MD30	Electric door speaker (amplifier)

Matrix series (for the composition see pages 88÷89)

UR	1	MA42-43	Camera modules with integrated audio amplifier
PE	2	MA10P÷12P	Modules with integrated audio
PB	...	MA20-22-24	Blank and button modules
	...	MA61-62-63	Front frames
	...	MA71-72-73	Back boxes and module frames

... Refers to number of users.

* The rain shelter is used in the place of the back box and hood cover.

** Articles not supplied by ACI Farfisa.

Notes

- If the control switching ON is necessary, connect terminal 4 of the timer (dashed wire).
- For the connection of name plate lamps read notes 6, 7 and 8 of the installation instructions on page 91.
- For wires dimensioning and video connection refer to the installation instructions and table on pages 91÷93.
- For **one-way systems** connect the coaxial cable to the monitor bracket directly, without using the DV video distributor.

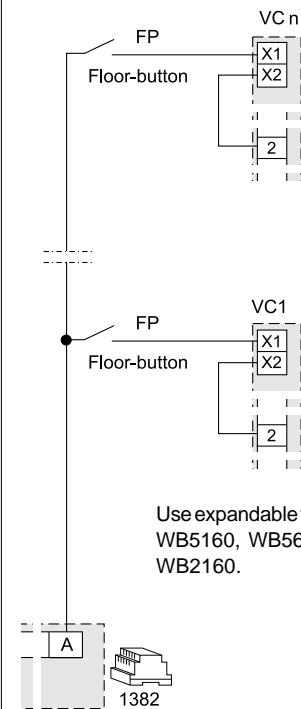
Working instructions

It is similar to the basic system described on page 94, but with the following variations:

- Carrying out a call from the entrance only audio, the corresponding monitor turns itself ON without images.
- The audio-video operations and the door lock release are automatically switched at the time of the call or with the control switch ON.

Floor-call

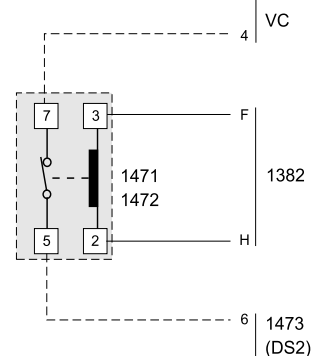
This working diagram allows for differentiating the floor-call from the call from the push-button panel.



Control switching ON deactivation

To activate the control switching ON from the videointercoms only when the system is in standby, it is necessary to install a relay (type **1471** or **1472**) and connect it as shown on the diagram.

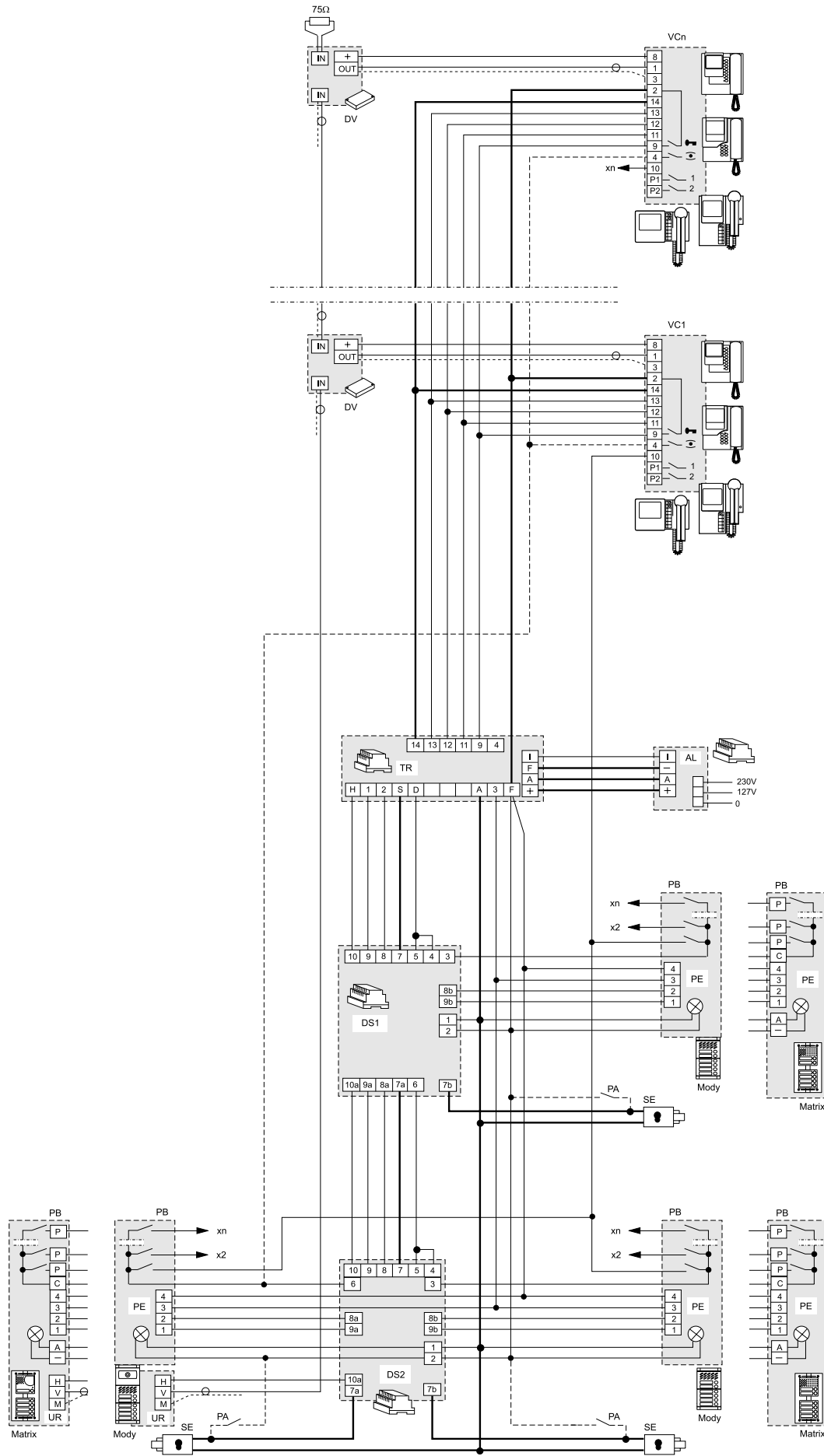
VC and DS2 are a reference on the diagrams



coax



VIDEO INTERCOM SYSTEM CONNECTED TO THREE EXTERNAL DOOR STATIONS, TWO OF WHICH ONLY AUDIO



VIDEO INTERCOM SYSTEM WITH SECONDARY VIDEO STATIONS AND 1 MAIN COMMON VIDEO STATION (multiple entrance)

Diagram ref.	Q.ty	Article	Description
VC	...	PT 5160 + WB 5100	Videointercom FLAT + wall bracket
		PT 5660 + WB 5600 + 1283	Videointercom + wall bracket + back box
		PT 5860 + WB 5600	Videointercom reflex + wall bracket
		PV 1260 + WB1200 + 1283	Videointercom + wall bracket + back box
		PV 2160 + WB 2100	Videointercom FLAT + wall bracket
DV	...	DV2-4	Video distributor
AV	1	476	Video distributor
AL	1+X	1281	Power supply
TR	1+X	1382	Timer
DS	X	1273TV	Exchanger
PA	1+X	**	Door release button (optional)
SE	1+X	**	Electric door lock (12Vac-1A)

External door station

Mody series (for the composition see pages 82÷85)

		1 row	2 row	
UR	1+X	MD41	MD41	Camera module
PB	...	MD72-73-74	MD72-73-74	Back boxes and module frames
	1+X	MD10-11-12	MD10-122-124	Modules for electric door speaker
	...	MD21 ÷ 24	MD222 ÷ 228	Button modules
	...	MD20 - 50	MD20 - 50	Blank and info modules
	1+X	MD82 ÷ 812	MD82 ÷ 812	Hood covers
	1+X	MD92 ÷ 912*	MD92 ÷ 912*	Rain shelters
PE	1+X	MD30	MD30	Electric door speaker (amplifier)

Matrix series (for the composition see pages 88÷89)

UR	1+X	MA42-43	Camera modules with integrated audio amplifier
PB	...	MA20-22-24	Blank and button modules
	...	MA61-62-63	Front frames
	...	MA71-72-73	Back boxes and module frames

... Refers to number of users.

X Refers to number of secondary door stations.

* The rain shelter is used in the place of the back box and hood cover.

** Articles not supplied by ACI Farfisa.

Notes

- Connect the video intercom terminal 4 (wire shown with dotted line) if the control switch on from the secondary door station is required.
- For the connection of name plate lamps read notes 6, 7 and 8 of the installation instructions on page 91.
- For wires dimensioning and video connection refer to the installation instructions and table on pages 91÷93.

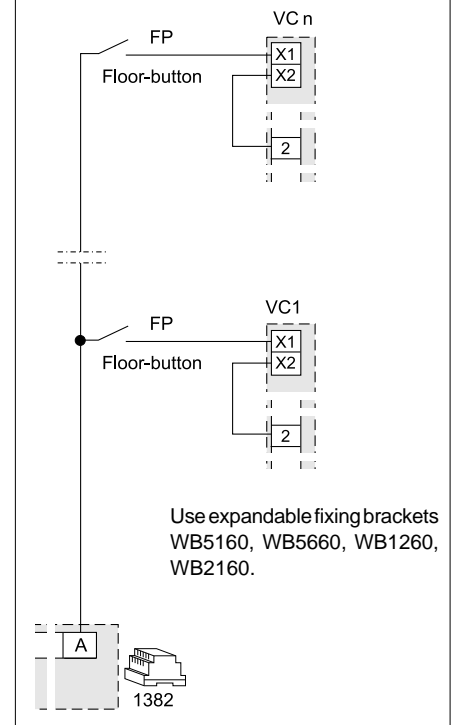
Working instructions

It is similar to the basic system described on page 94, but with the following variations:

- The audio-video operations and the door lock release are automatically switched at the time of the call or with the control switch ON.
- The services towards the secondary video entrances are independent among themselves and therefore they can function at the same time.

Floor-call

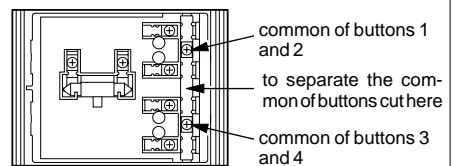
This working diagram allows for differentiating the floor-call from the call from the push-button panel.



Use expandable fixing brackets WB5160, WB5660, WB1260, WB2160.

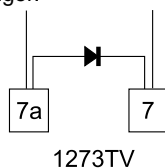
The main entrance push-button panel must have separate common terminals.

One common terminal for each secondary door station. Buttons of the Mody series can be divided into 2-button groups.



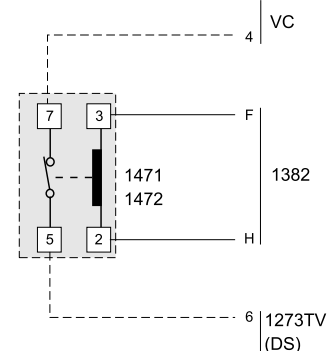
Connection of two door locks, of which the secondary is always activable, in a system with multiple entrance

For this option it is necessary to install a diode (100V-1A; type 1N4007) between terminals 7 (cathode) and 7a (anode) of every secondary exchanger.



Control switching ON deactivation

To activate the control switching ON from the videointercoms only when the system is in standby, it is necessary to install a relay (type 1471 or 1472) and connect it as shown on the diagram.



VC and DS are a reference on the diagrams

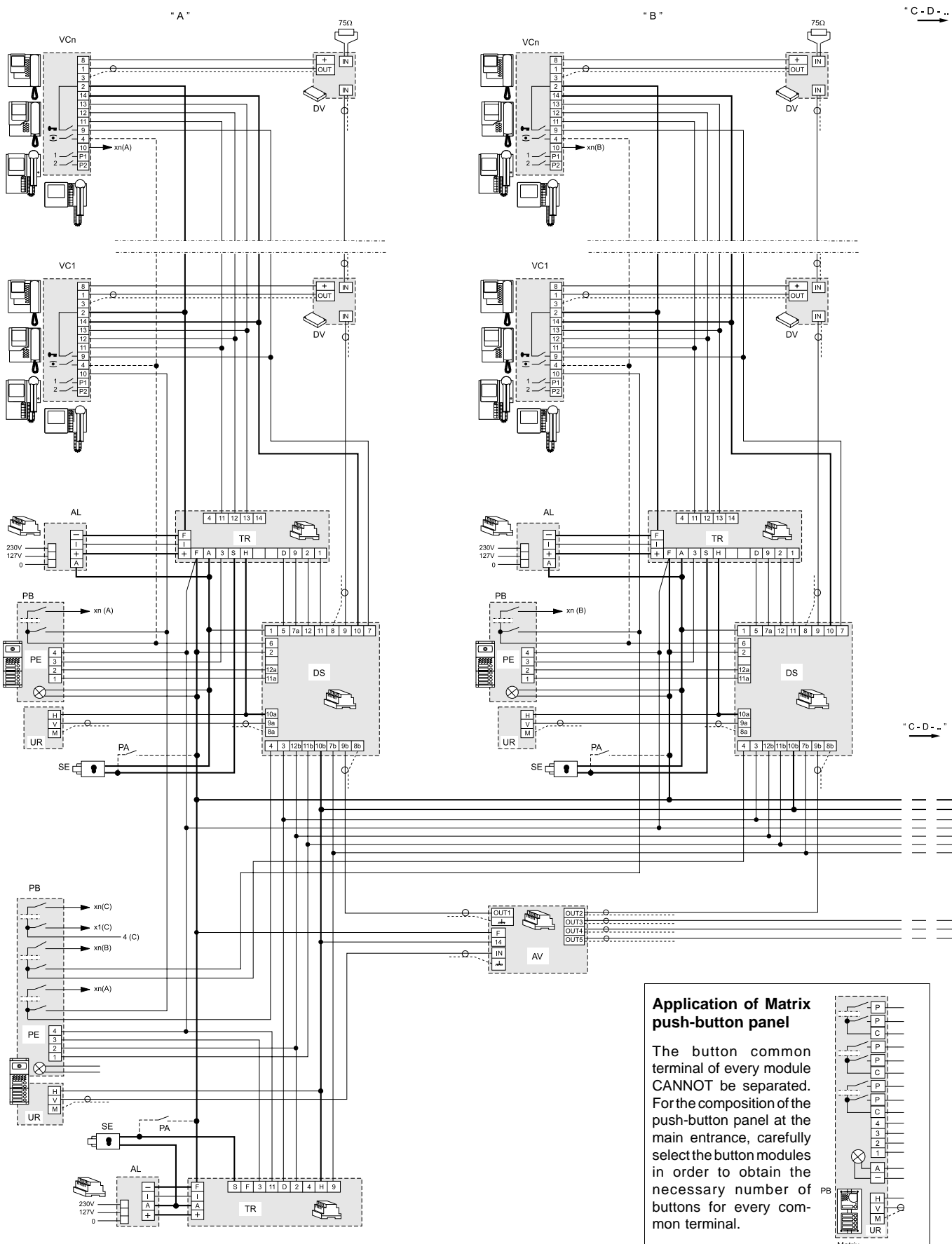


coax



VIDEO INTERCOM SYSTEM WITH SECONDARY VIDEO STATIONS AND 1 MAIN COMMON VIDEO STATION (multiple entrance)

INTERCOMS * VIDEOINTERCOMS * TELECOMMUNICATION



Application of Matrix push-button panel

The button common terminal of every common CANNOT be separated. For the composition of the push-button panel at the main entrance, carefully select the button modules in order to obtain the necessary number of buttons for every common terminal.



coax



VIDEO INTERCOM SYSTEM WITH SECONDARY DOOR STATIONS ONLY AUDIO AND 1 MAIN COMMON VIDEO STATION (multiple entrance)

Diagram ref.	Q.ty	Article	Description
VC	...	PT 5160 + WB 5100	Videointercom FLAT + wall bracket
		PT 5660 + WB 5600 + 1283	Videointercom + wall bracket + back box
		PT 5860 + WB 5600	Videointercom reflex + wall bracket
		PV 1260 + WB1200 + 1283	Videointercom + wall bracket + back box
		PV 2160 + WB 2100	Videointercom FLAT + wall bracket
DV	...	DV2-4	Video distributor
AV	1	476	Video distributor
AL	1+X	1281	Power supply
TR	1+X	1382	Timer
DS	X	1273TV	Exchanger
PA	1+X	**	Door release button (optional)
SE	1+X	**	Electric door lock (12Vac-1A)

External door station

Mody series (for the composition see pages 82÷85)

		1 row	2 row	
UR	1	MD41	MD41	Camera module
PB	...	MD72-73-74	MD72-73-74	Back boxes and module frames
	1+X	MD10-11-12	MD10-122-124	Modules for electric door speaker
	...	MD21 ÷ 24	MD222 ÷ 228	Button modules
	...	MD20 - 50	MD20 - 50	Blank and info modules
	1+X	MD82 ÷ 812	MD82 ÷ 812	Hood covers
	1+X	MD92 ÷ 912*	MD92 ÷ 912*	Rain shelters
PE	1+X	MD30	MD30	Electric door speaker (amplifier)

Matrix series (for the composition see pages 88÷89)

UR	1	MA42-43	Camera modules with integrated audio amplifier
PE	X	MA10P÷MA12P	Blank and button modules
PB	...	MA20-22-24	Blank and button modules
	...	MA61-62-63	Front frames
	...	MA71-72-73	Back boxes and module frames

... Refers to number of users.

X Refers to number of secondary door stations.

* The rain shelter is used in the place of the back box and hood cover.

** Articles not supplied by ACI Farfisa.

Notes

- For the connection of name plate lamps read notes 6, 7 and 8 of the installation instructions on page 91.
- For wires dimensioning and video connection refer to the installation instructions and table on pages 91÷93.

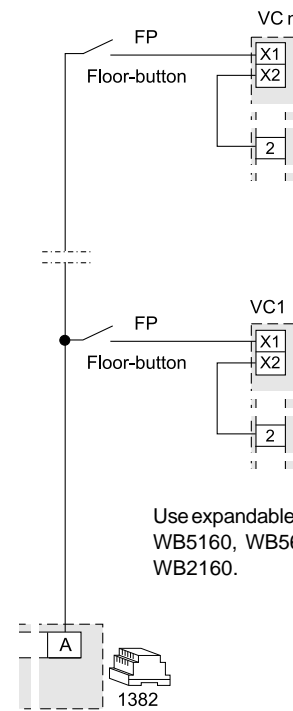
Working instructions

It is similar to the basic system described on page 94, but with the following variations:

- Carrying out a call from the entrance only audio, the corresponding monitor turns itself ON without images.
- The audio-video operations and the door lock release are automatically switched at the time of the call or with the control switch ON.
- The services towards the secondary video entrances are independent among themselves and therefore they can function at the same time.

Floor-call

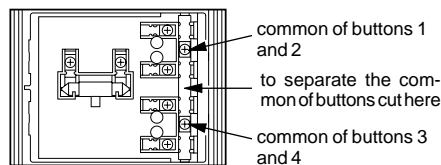
This working diagram allows for differentiating the floor-call from the call from the push-button panel.



Use expandable fixing brackets WB5160, WB5660, WB1260, WB2160.

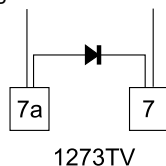
The main entrance push-button panel must have separate common terminals.

One common terminal for each secondary door station. Buttons of the Mody series can be divided into 2-button groups.



Connection of two door locks, of which the secondary is always activable, in a system with multiple entrance

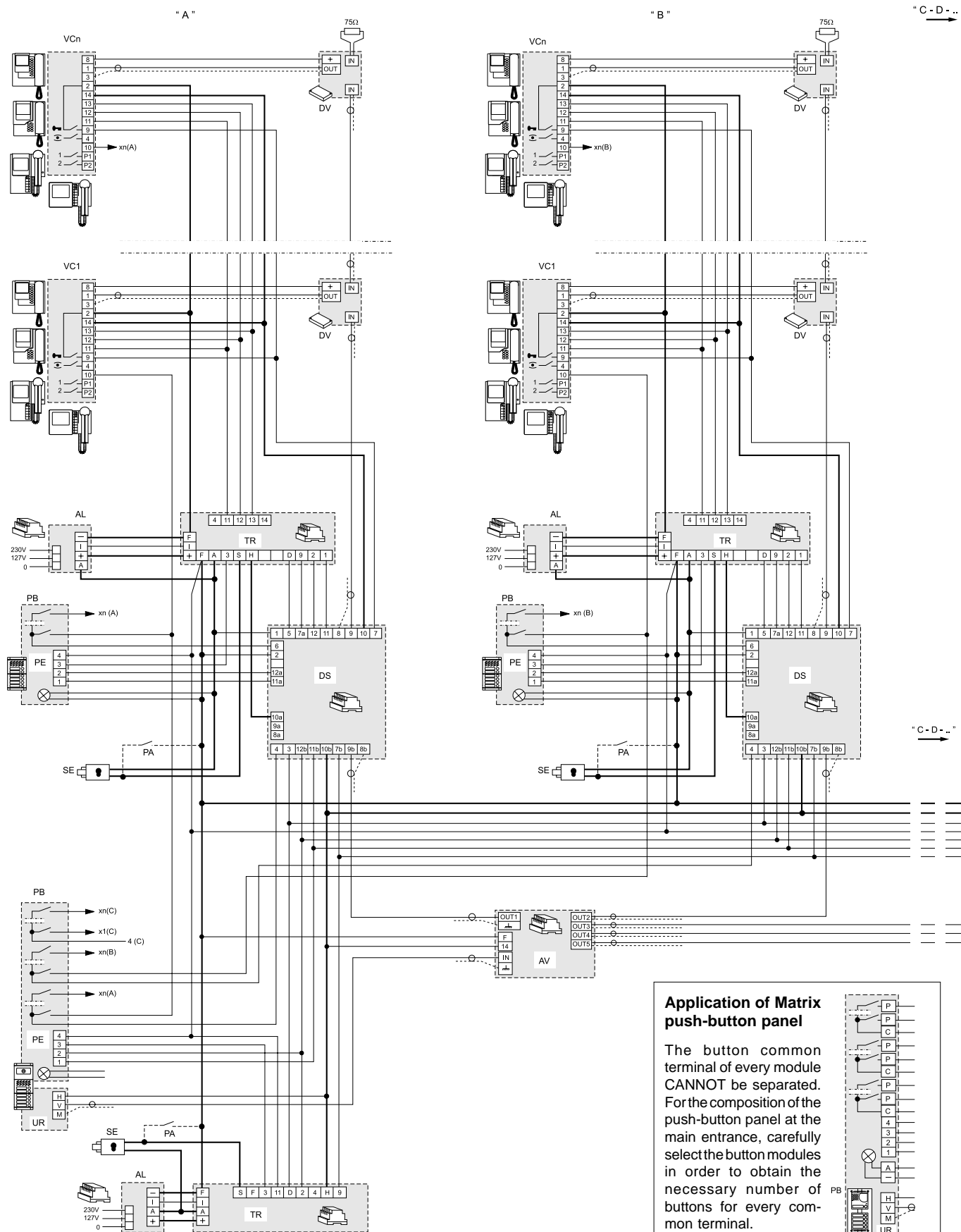
For this option it is necessary to install a diode (100V-1A; type 1N4007) between terminals 7 (cathode) and 7a (anode) of every secondary exchanger.



coax

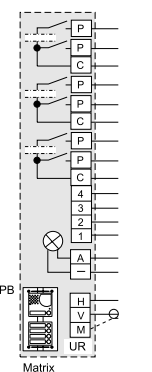


VIDEO INTERCOM SYSTEM WITH SECONDARY DOOR STATIONS ONLY AUDIO AND 1 MAIN COMMON VIDEO STATION (multiple entrance)



Application of Matrix push-button panel

The button common terminal of every module CANNOT be separated. For the composition of the push-button panel at the main entrance, carefully select the button modules in order to obtain the necessary number of buttons for every common terminal.



coax



VIDEO INTERCOM SYSTEM WITH SECONDARY VIDEO STATIONS AND 1 MAIN COMMON STATION ONLY AUDIO (multiple entrance)

Diagram ref.	Q.ty	Article	Description
VC	...	PT 5160 + WB 5100	Videointercom FLAT + wall bracket
		PT 5660 + WB 5600 + 1283	Videointercom + wall bracket + back box
		PT 5860 + WB 5600	Videointercom reflex + wall bracket
		PV 1260 + WB1200 + 1283	Videointercom + wall bracket + back box
		PV 2160 + WB 2100	Videointercom FLAT + wall bracket
DV	...	DV2-4	Video distributor
AL	1+X	1281	Power supply
TR	1+X	1382	Timer
DS	X	1273TV	Exchanger
PA	1+X	**	Door release button (optional)
SE	1+X	**	Electric door lock (12Vac-1A)

External door station

Mody series (for the composition see pages 82÷85)

		1 row	2 row	
UR	X	MD41	MD41	Camera module
PB	...	MD72-73-74	MD72-73-74	Back boxes and module frames
	1+X	MD10-11-12	MD10-122-124	Modules for electric door speaker
	...	MD21 ÷ 24	MD222 ÷ 228	Button modules
	...	MD20 - 50	MD20 - 50	Blank and info modules
	1+X	MD82 ÷ 812	MD82 ÷ 812	Hood covers
	1+X	MD92 ÷ 912*	MD92 ÷ 912*	Rain shelters
PE	1+X	MD30	MD30	Electric door speaker (amplifier)

Matrix series (for the composition see pages 88÷89)

UR	X	MA42-43	Camera modules with integrated audio amplifier
PE	1	MA10P÷MA12P	Modules with integrated audio amplifier
PB	...	MA20-22-24	Blank and button modules
	...	MA61-62-63	Front frames
	...	MA71-72-73	Back boxes and module frames

... Refers to number of users.

X Refers to number of secondary door stations.

* The rain shelter is used in the place of the back box and hood cover.

** Articles not supplied by ACI Farfisa.

Notes

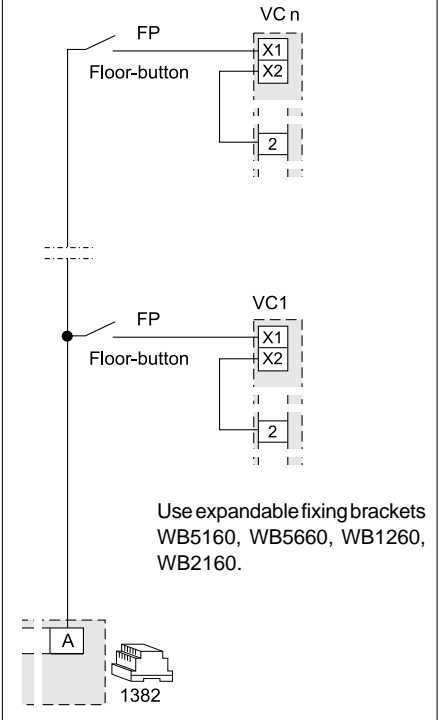
- Connect the video intercom terminal 4 (wire shown with dotted line) if the control switch on from the secondary door station is required.
- For the connection of name plate lamps read notes 6, 7 and 8 of the installation instructions on page 91.
- For wires dimensioning and video connection refer to the installation instructions and table on pages 91÷93.

Working instructions

- It is similar to the basic system described on page 94, but with the following variations:
- Carrying out a call from the entrance only audio, the corresponding monitor turns itself ON without images.
 - The audio-video operations and the door lock release are automatically switched at the time of the call or with the control switch ON.
 - The services towards the secondary video entrances are independent among themselves and therefore they can function at the same time.

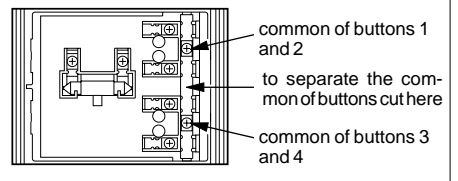
Floor-call

This working diagram allows for differentiating the floor-call from the call from the push-button panel.



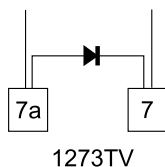
The main entrance push-button panel must have separate common terminals.

One common terminal for each secondary door station. Buttons of the Mody series can be divided into 2-button groups.



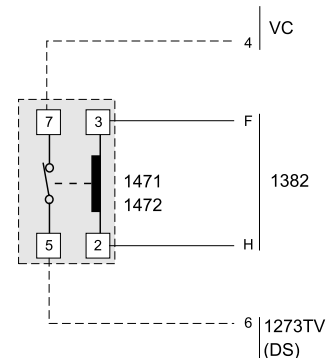
Connection of two door locks, of which the secondary is always activable, in a system with multiple entrance

For this option it is necessary to install a diode (100V-1A; type 1N4007) between terminals 7 (cathode) and 7a (anode) of every secondary exchanger.



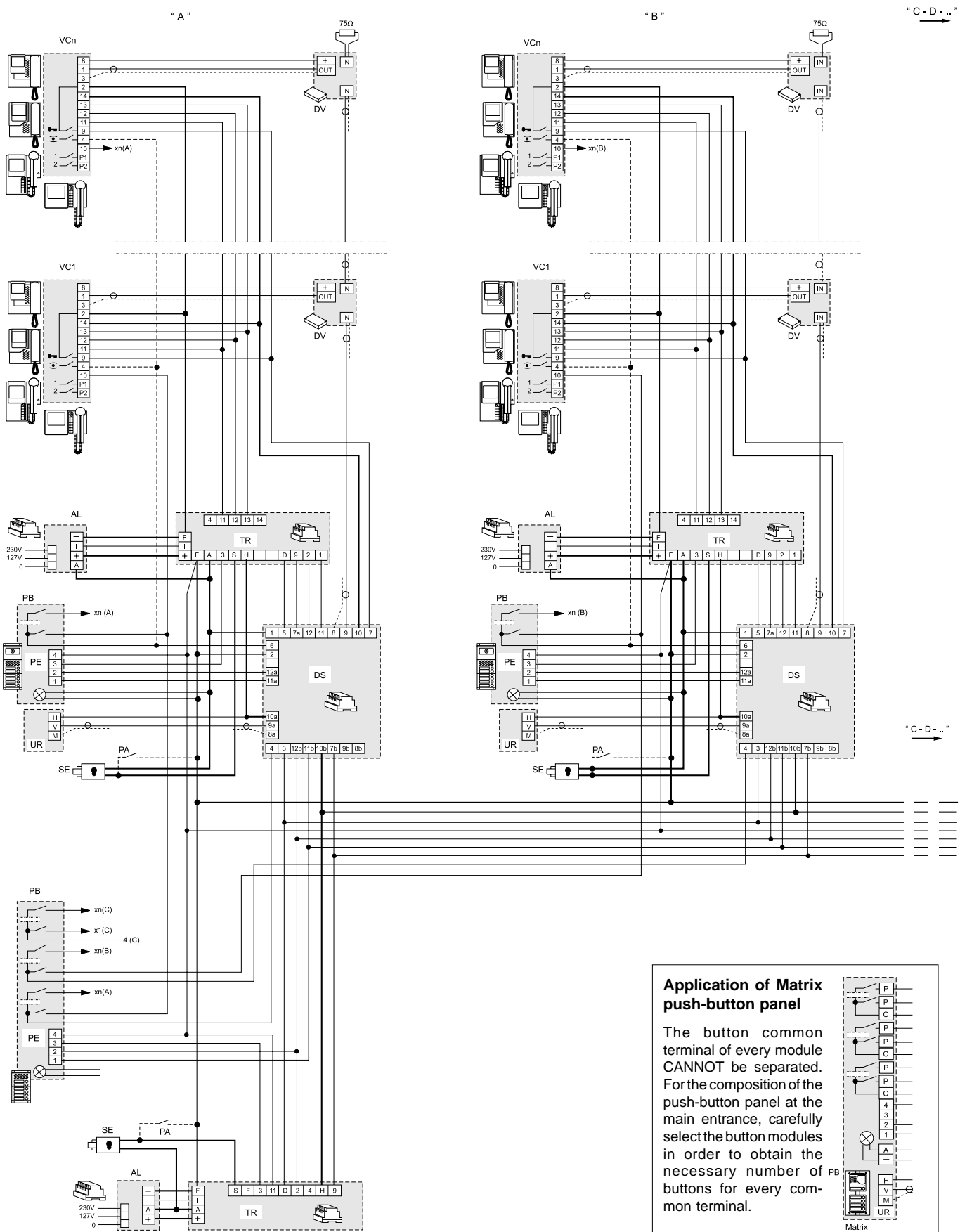
Control switching ON deactivation

To activate the control switching ON from the videointercoms only when the system is in standby, it is necessary to install a relay (type 1471 or 1472) and connect it as shown on the diagram.



VIDEO INTERCOM SYSTEM WITH SECONDARY VIDEO STATIONS AND 1 MAIN COMMON STATION ONLY AUDIO (multiple entrance)

INTERCOMS * VIDEOINTERCOMS * TELECOMMUNICATION



Application of Matrix push-button panel

The button common terminal of every module CANNOT be separated. For the composition of the push-button panel at the main entrance, carefully select the button modules in order to obtain the necessary number of buttons for every common terminal.



coax



VIDEO INTERCOM SYSTEM WITH ONE-WAY SECONDARY DOOR STATIONS ONLY AUDIO AND 1 MAIN COMMON VIDEO STATION (multiple entrance)

Diagram ref.	Q.ty	Article	Description
VC	...	PT 5160 + WB 5160	Videointercom FLAT + wall bracket
	...	PT 5660 + WB 5660 + 1283	Videointercom + wall bracket + back box
	...	PT 5860 + WB 5660	Videointercom reflex + wall bracket
	...	PV 1260 + WB1260 + 1283	Videointercom + wall bracket + back box
	...	PV 2160 + WB 2160	Videointercom FLAT + wall bracket
AV	1	476	Video distributor
ALp	1	1281	Power supply
AL	X	PRS220	Intercom power supply
TR	1	1382	Timer
IN	X	1471	Relay unit
DS	X	1473	Exchanger
PA	1+X	**	Door release button (optional)
SE	1+X	**	Electric door lock (12Vac-1A)

External door station

Mody series (for the composition see pages 82÷85)

		1 row	2 row	
UR	1	MD41	MD41	Camera module
PB	...	MD71÷74	MD72÷74	Back boxes and module frames
	1+X	MD10-11-12	MD10-122-124	Modules for electric door speaker
...	...	MD21 ÷ 24	MD222 ÷ 228	Button modules
	...	MD20 - 50	MD20 - 50	Blank and info modules
1+X	MD82 ÷ 812	MD82 ÷ 812	Hood covers	
1+X	MD92 ÷ 912*	MD92 ÷ 912*	Rain shelters	
PE	1+X	MD30	MD30	Electric door speaker (amplifier)

Matrix series (for the composition see pages 88÷89)

UR	1	MA42-43	Camera modules with integrated audio amplifier
PE	X	MA11P	Module with integrated audio amplifier
PB	...	MA20-22-24	Blank and button modules
	...	MA61-62-63	Front frames
	...	MA71-72-73	Back boxes and module frames

... Refers to number of users.

X Refers to number of secondary door stations.

* The rain shelter is used in the place of the back box and hood cover.

** Articles not supplied by ACI Farfisa.

Working instructions

It is similar to the basic system described on page 94, but with the following variations:

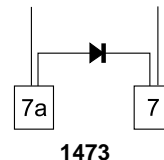
- Carrying out a call from the entrance only audio, the corresponding monitor turns itself ON without images.
- The audio-video operations and the door lock release are automatically switched at the time of the call or with the control switch ON.
- The services towards the secondary video entrances are independent among themselves and therefore they can function at the same time.

Notes

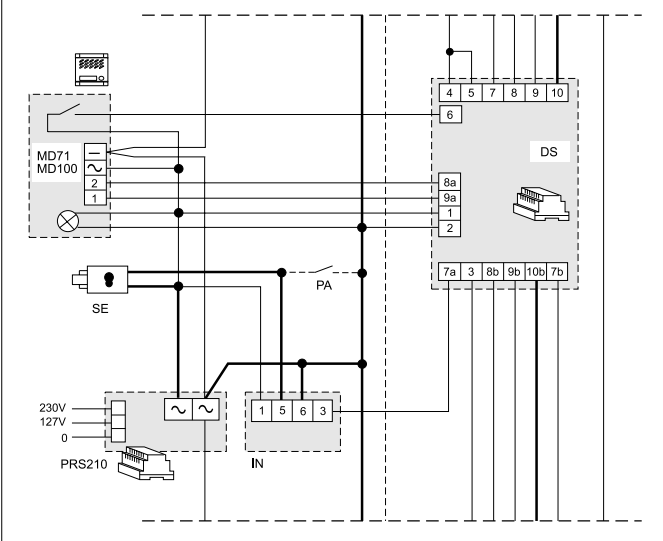
- Connect the video intercom terminal 4 (wire shown with dotted line) and apply 2 diodes (1N4007 type; 100V-1A) for every secondary door station, if the control switch on is required.
- For the connection of name plate lamps read notes 6, 7 and 8 of the installation instructions on page 91.
- For wires dimensioning and video connection refer to the installation instructions and table on pages 91÷93.
- DV.. distributors can be used instead of the video distributors **476** by adding a power supply wire (from + to terminal 8 of every video intercom).
- On bracket of the videointercoms you must move jumper **J1** from position **2-3** to **1-2**. If the private conversation is necessary, use the Si36MO/3 diagram.

Connection of two door locks, of which the secondary is always activable, in a system with multiple entrance

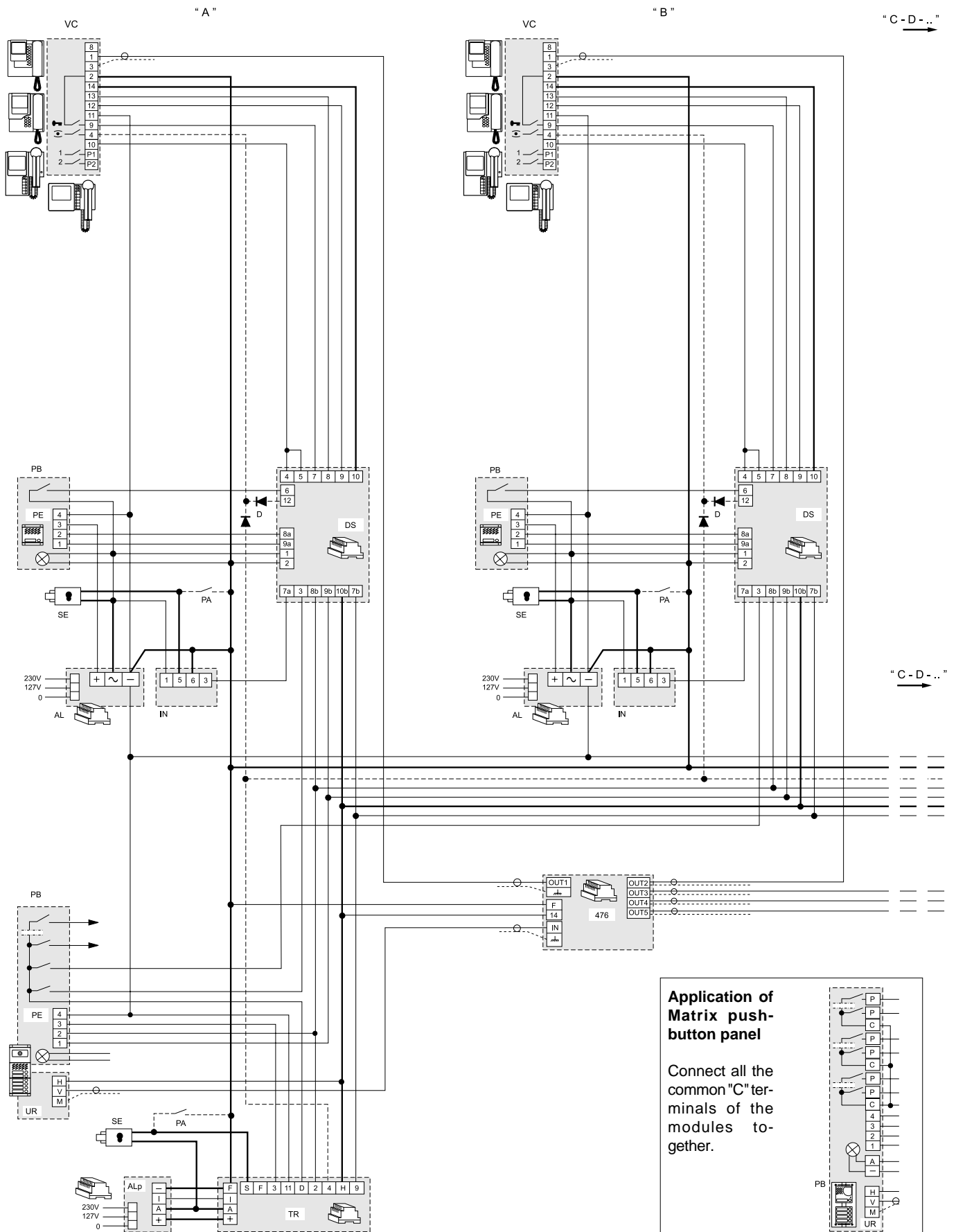
For this option it is necessary to install a diode (100V-1A; type 1N4007) between terminals 7 (cathode) and 7a (anode) of every secondary exchanger.



Connection of the MD100 amplified external door station to the secondary door station instead of electric door speaker MD30 and module MD11.



VIDEO INTERCOM SYSTEM WITH ONE-WAY SECONDARY DOOR STATIONS ONLY AUDIO AND 1 MAIN COMMON VIDEO STATION (multiple entrance)



Application of Matrix push-button panel

Connect all the common "C" terminals of the modules together.



VIDEO INTERCOM SYSTEM WITH SECONDARY VIDEO STATIONS AND 2 MAIN COMMON VIDEO STATIONS (multiple entrance)

Diagram ref.	Q.ty	Article	Description
VC	...	PT 5160 + WB 5100	Videointercom FLAT + wall bracket
		PT 5660 + WB 5600 + 1283	Videointercom + wall bracket + back box
		PT 5860 + WB 5600	Videointercom reflex + wall bracket
		PV 1260 + WB1200 + 1283	Videointercom + wall bracket + back box
		PV 2160 + WB 2100	Videointercom FLAT + wall bracket
DV	...	DV2-4	Video distributor
AV	2+..	476	Video distributor
AL	2+X	1281	Power supply
TR	1+X	1382	Timer
DS	2+X	1273TV	Exchanger
IN	1	1471	Relay unit
D	2	**	Min. 100V-1A diodes (1N4007 type)
PA	2+X	**	Door release button (optional)
SE	2+X	**	Electric door lock (12Vac-1A)

External door station

Mody series (for the composition see pages 82÷85)

		1 row	2 row	
UR	2+X	MD41	MD41	Camera module
PB	...	MD72-73-74	MD72-73-74	Back boxes and module frames
	2+X	MD10-11-12	MD10-122-124	Modules for electric door speaker
	...	MD21 ÷ 24	MD222 ÷ 228	Button modules
	...	MD20 - 50	MD20 - 50	Blank and info modules
	2+X	MD82 ÷ 812	MD82 ÷ 812	Hood covers
	2+X	MD92 ÷ 912*	MD92 ÷ 912*	Rain shelters
PE	2+X	MD30	MD30	Electric door speaker (amplifier)

Matrix series (for the composition see pages 88÷89)

UR	2+X	MA42-43	Camera modules with integrated audio amplifier
PB	...	MA20-22-24	Blank and button modules
	...	MA61-62-63	Front frames
	...	MA71-72-73	Back boxes and module frames

... Refers to number of users.

X Refers to number of secondary door stations.

* The rain shelter is used in the place of the back box and hood cover.

** Articles not supplied by ACI Farfisa.

Notes

- Connect the video intercom terminal 4 (wire shown with dotted line) if the control switch on from the secondary door station is required.
- For the connection of name plate lamps read notes 6, 7 and 8 of the installation instructions on page 91.
- For wires dimensioning and video connection refer to the installation instructions and

table on pages 91÷93.

- To use the **Matrix** series push-button panels, see the application diagram and notes on page 115, 117 or 119.

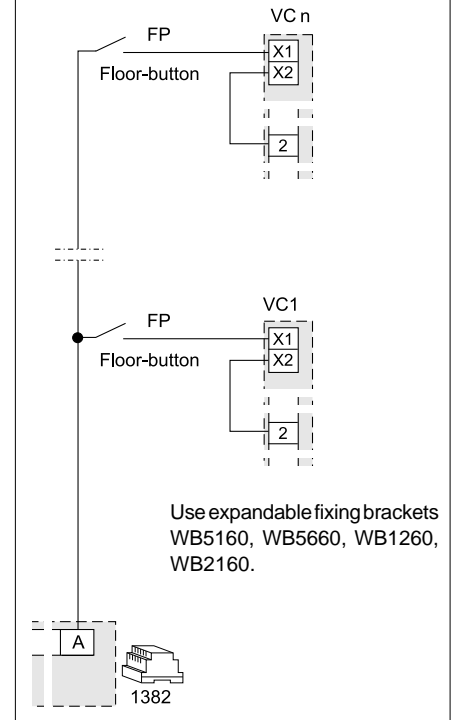
Working instructions

It is similar to the basic system described on page 94, but with the following variations:

- The audio-video operations and the door lock release are automatically switched at the time of the call or with the control switch ON.
- The services towards the secondary video entrances are independent among themselves and therefore they can function at the same time.

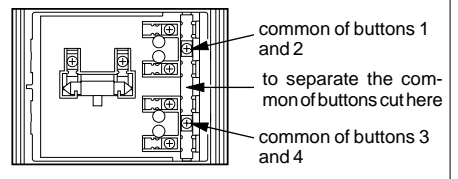
Floor-call

This working diagram allows for differentiating the floor-call from the call from the push-button panel.



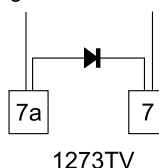
The main entrance push-button panel must have separate common terminals.

One common terminal for each secondary door station. Buttons of the Mody series can be divided into 2-button groups.



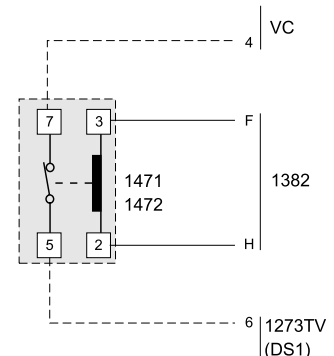
Connection of two door locks, of which the secondary is always activable, in a system with multiple entrance

For this option it is necessary to install a diode (100V-1A; type 1N4007) between terminals 7a (cathode) and 7a (anode) of every secondary exchanger.



Control switching ON deactivation

To activate the control switching ON from the videointercoms only when the system is in standby, it is necessary to install a relay (type 1471 or 1472) and connect it as shown on the diagram.



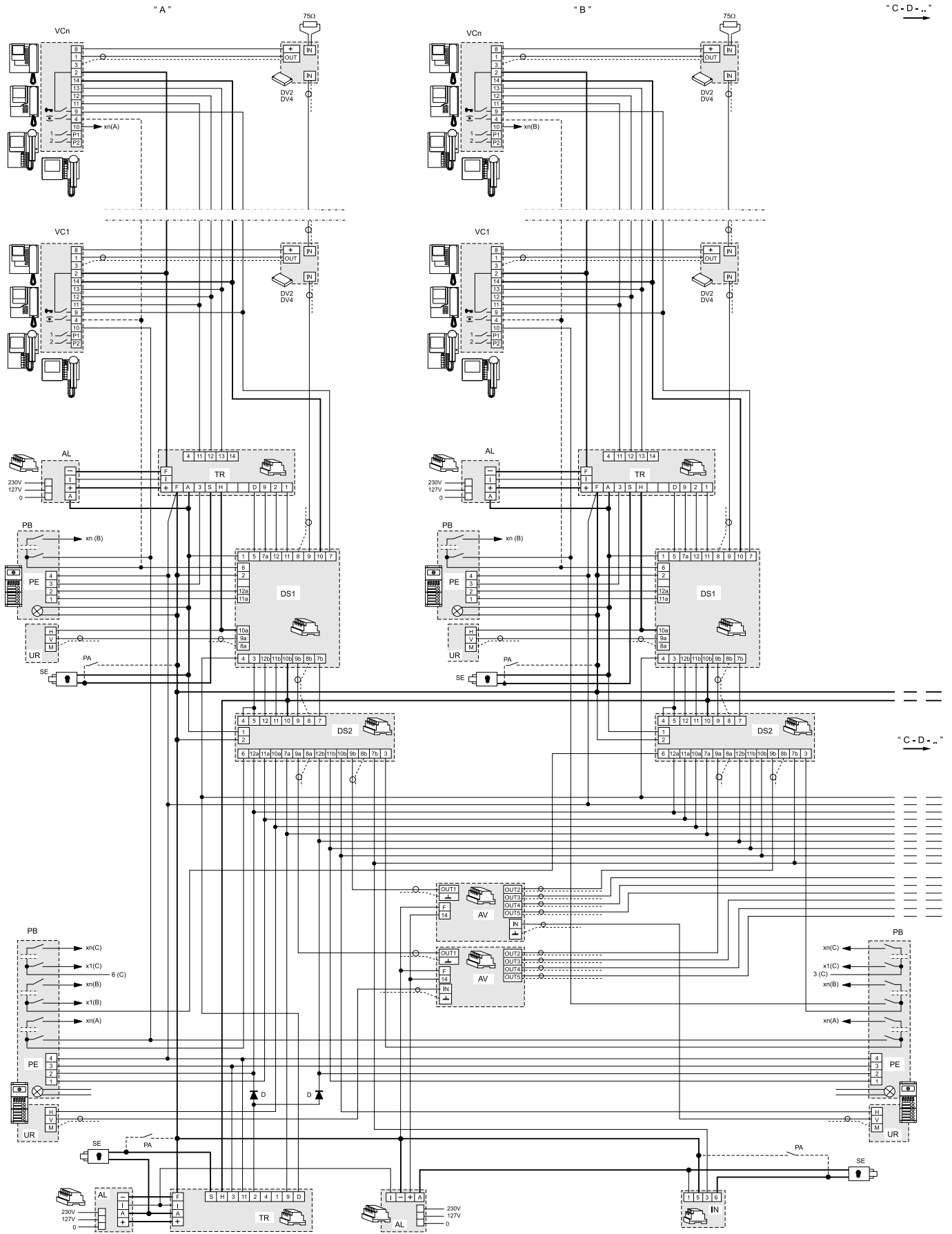
VC and DS1 are a reference on the diagrams



coax



VIDEO INTERCOM SYSTEM WITH SECONDARY VIDEO STATIONS AND 2 MAIN COMMON VIDEO STATIONS (multiple entrance)



coax

Additional diagrams

EXTENSION OF VIDEO INTERCOM SYSTEMS

All installation diagrams in this technical manual are drawn with only one video intercom for each user. It is possible to "personalise" the installation by properly matching the applications on the following pages (page 126 to 148) to the basic diagrams (page 99 to page 123). Such examples refer to applications with one video intercom entrance. To realise systems with 2 or more audio/video entrances were more than one control switch ON is needed, use for this function the first buttons of the video intercom (P, P1, P2, etc.) and the lower ones (P3, P4, etc.) for the intercommunicating calls.

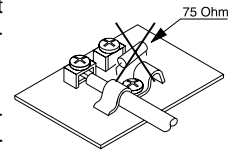
In the basic diagrams the dashed lines identify the wires for control switch ON, whereas in the additional diagrams the dashed lines also refer to the wires for intercommunicating service.

When the simultaneous switch ON of several video intercoms is needed and extra power supplies are to be added, do not forget that terminal I of timer 1382 can be connected to a **maximum of 3** power supplies 1281.

NOTES

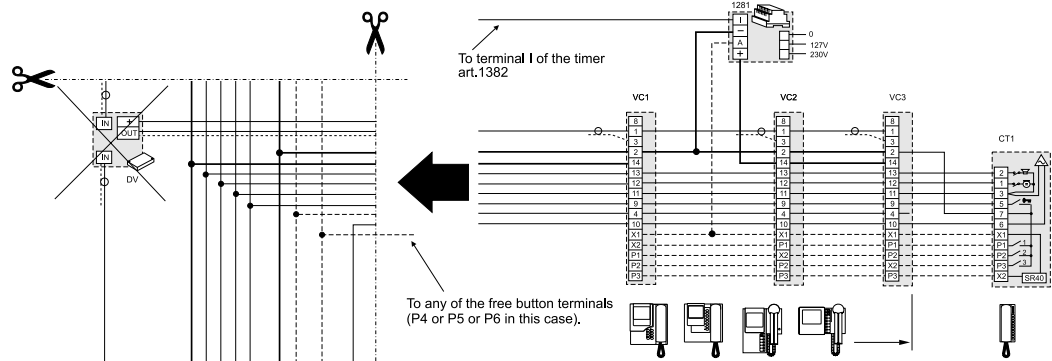
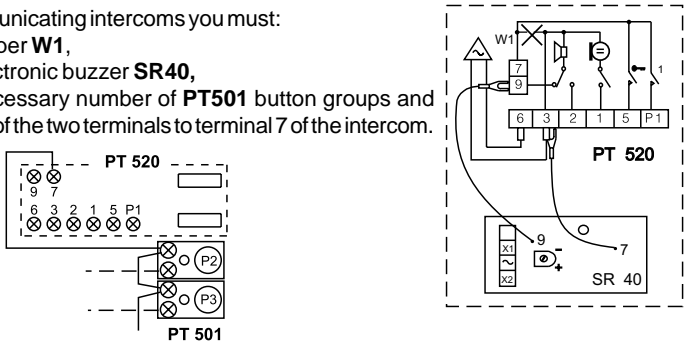
- 1) To have the intercommunication system you must:
 - a) - make the connections shown with dotted lines,
 - b) - apply the module 1443E inside the timer 1382 (see page 90),
 - c) - use expandable brackets **WB5160**, **WB5660**, **WB1260**, **WB2160**, verifying that the **mobile jumper J1** located on the video intercom brackets is in intercommunicating position 1-2 (see page 73, 75, 77, 79 and 80).
- 2) In intercommunicating intercoms you must:
 - cut the jumper **W1**,
 - add the electronic buzzer **SR40**,
 - add the necessary number of **PT501** button groups and connect one of the two terminals to terminal 7 of the intercom.

- 3) If the video system is realized with coaxial cable connected in serial mode (input and output from the video intercom), you must **cut** the 75Ω resistance of the bracket and leave it only on the last video intercom.



- 4) When using the video intercom **PV2160** the additional buttons P1, P2, P3, P4 and P5 change into T1, T2, T3, T4 and T5, respectively (T6 does not exist because the maximum number of additional buttons is 5).

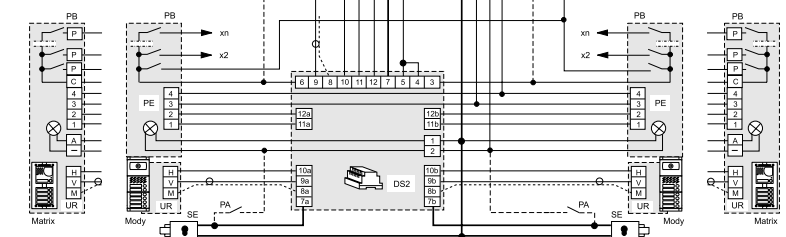
- 5) The diode shown in this installation diagram must be connected to power video distributors **DV2** and **DV4**. The diode is not necessary if no video distributors are used.



Example of combination of an additional diagram with a basic diagram for the realisation of a one-way system with intercoms and video intercoms in parallel with or without intercommunicating service (description on page 125).



coax



EXTENSION OF VIDEO INTERCOM SYSTEMS

Extension of ONE-WAY system

To realise a one-way system with several monitors and/or intercoms in parallel, **with or without intercommunicating service**, you must proceed as follows:

- make a photocopy of the additional diagram desired, selecting it among those of pages 126 to 136;
- place the diagram on the basic diagram so as to cover the existing video intercom and line up the wires of the two diagrams;
- if specified in the additional diagram, connect the wires **I** and **X1** to terminals **I** and **A** of art. **1382**;
- to have the intercommunication system you must:
 - make the connections shown with dotted lines,
 - apply the module **1443E** inside the timer **1382**,
 - use expandable brackets **WB5160**, **WB5660**, **WB1260**, **WB2160**, verifying that the **mobile jumper J1** located on the video intercom brackets is in intercommunicating position **1-2** (see page 73, 75, 77, 79 and 80).
- add the electronic buzzer **SR40** and the necessary number of buttons **PT501** in the intercoms, if any.

Example (see page 124): by making a photocopy of the additional diagram of page 127 (3 video intercoms and 1 intercom in parallel with or without intercommunicating service), placing it on the installation diagram of page 105 (Si 32MO/1), lining it up to the wires of the first video intercom and eliminating the second video intercom and the video distributor, it is possible to obtain a one-way system with 3 video intercoms and 1 intercom in parallel connected to 2 external video stations.

Example of combination of an additional diagram with a basic diagram for the realisation of a multi-way system with extension in one apartment only.

Extension in one apartment of a MULTI-WAY system

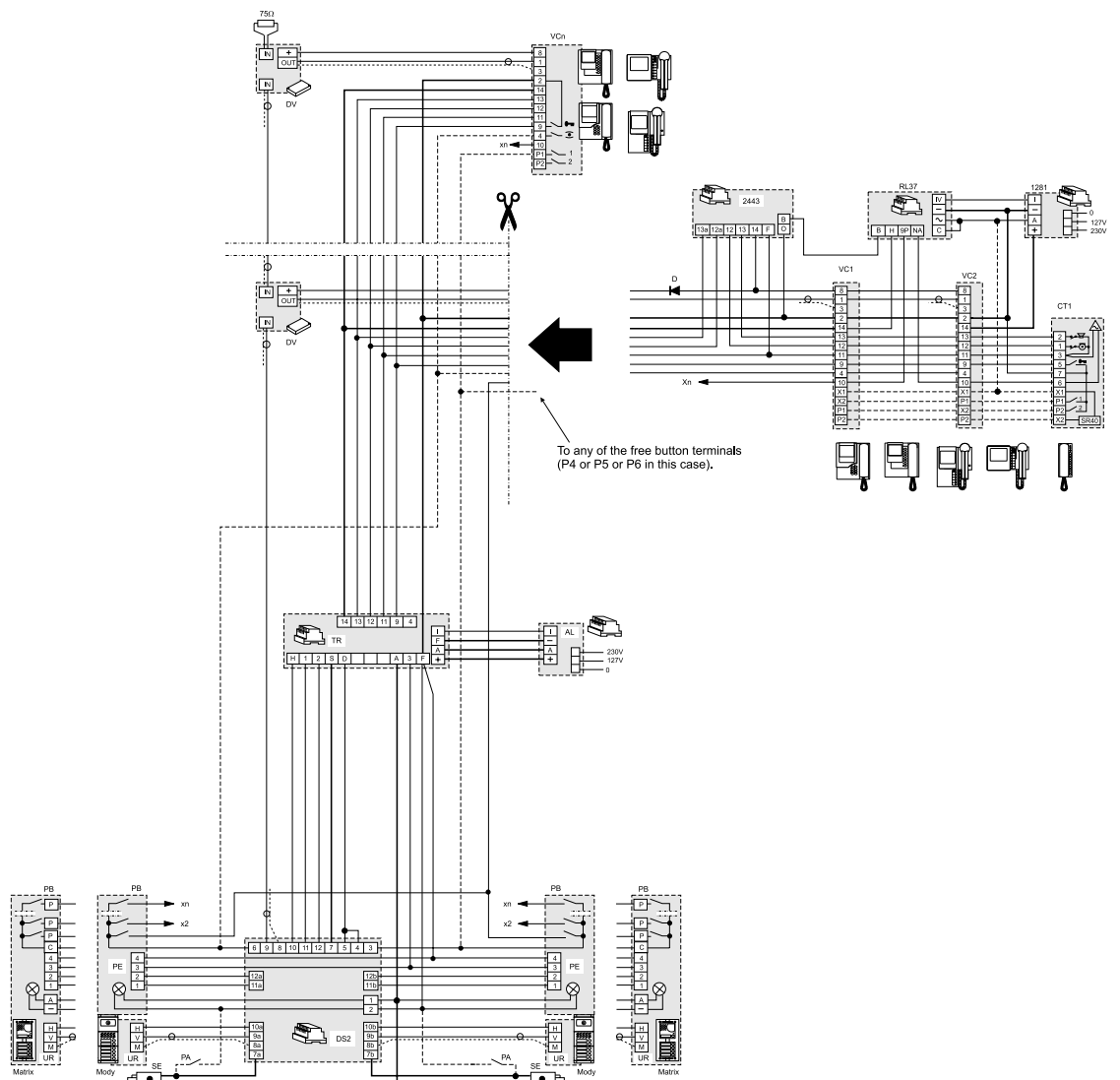
To realise a **multi-way** system with several video intercoms and/or intercoms in parallel in one apartment **with or without intercommunicating service**, you must proceed as follows:

- make a photocopy of the additional diagram desired, selecting it among those of pages 137 to 148;
- place the diagram on the basic diagram so as to cover the existing video intercom and line up the wires of the two diagrams;
- to have the intercommunication system you must:
 - make the connections shown with dotted lines,
 - use expandable brackets **WB5160**, **WB5660**, **WB1260**, **WB2160**, verifying that the **mobile jumper J1** located on the video intercom brackets is in intercommunicating position **1-2** (see page 73, 75, 77, 79 and 80).
- add the electronic buzzer **SR40** and the necessary number of buttons **PT501** in the intercoms, if any.

Example: by making a photocopy of the additional diagram of page 137 (2 videointercoms and 1 intercom in parallel with or without intercommunicating service), placing it on the installation diagram of page 105 (Si 32MO/1), lining it up to the wires of the first video intercom, it is possible to obtain a multi-way system with 2 video intercoms and 1 intercom in parallel in one apartment and intercommunicating connected to 2 external video stations.

Extension of a MULTI-WAY system in several apartments

To realise a **multi-way** system with several video intercoms and/or intercoms in parallel in 2 or more apartments **with or without intercommunicating service**, you must repeat the operations described in the preceding section several times.

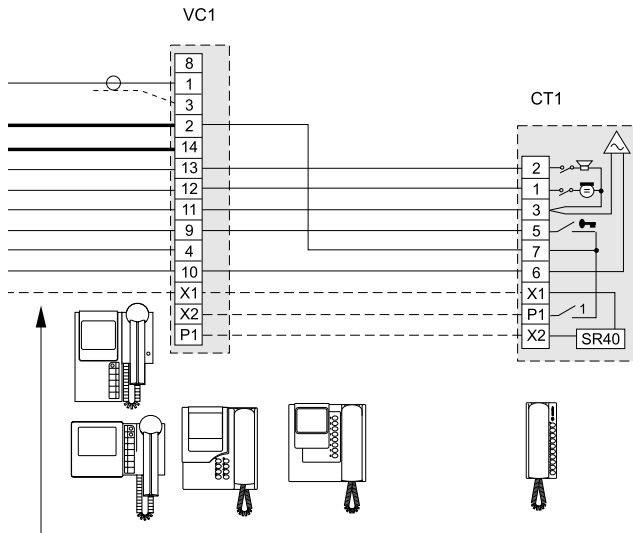


coax



ONE-WAY additional diagrams

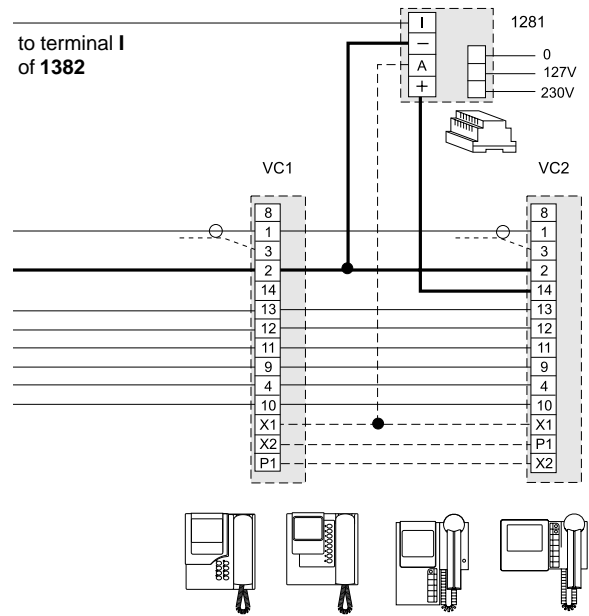
1 VIDEO INTERCOM AND 1 INTERCOM WITH INTERCOMMUNICATING SERVICE



X1 to be connected to terminal A of art.1382

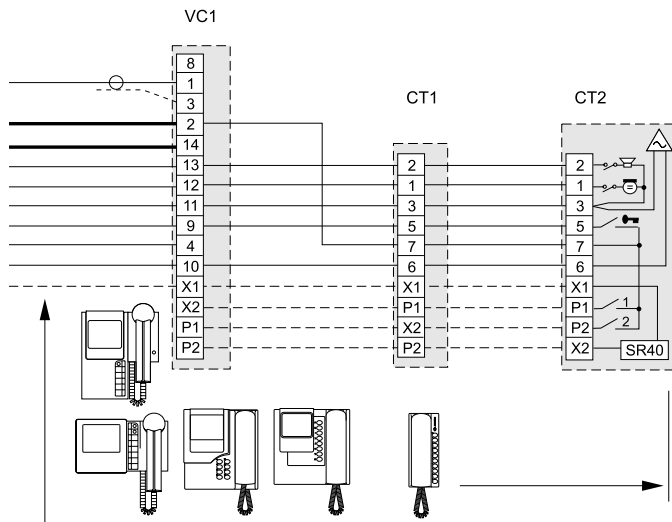
Read notes 1abc, 2 and 4 of page 124.

2 INTERCOMMUNICATING VIDEO INTERCOMS



Read notes 1abc, 3 and 4 of page 124.

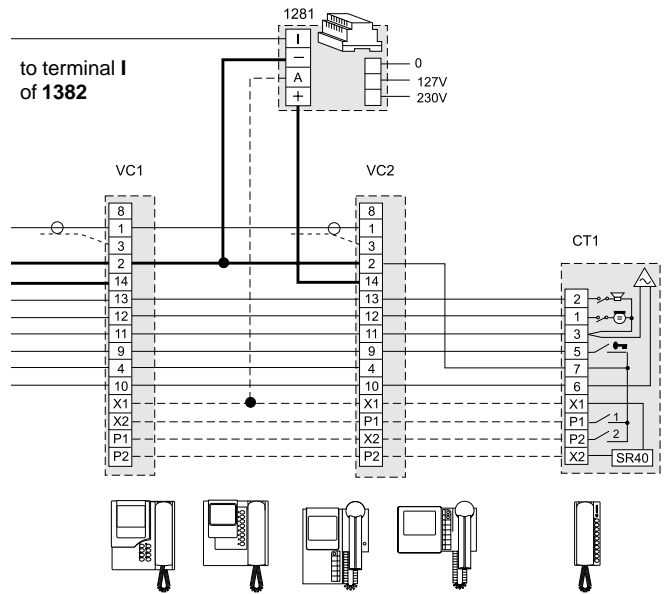
1 VIDEO INTERCOM AND 2 INTERCOMS WITH INTERCOMMUNICATING SERVICE



X1 to be connected to terminal A of art.1382

Read notes 1abc, 2 and 4 of page 124.

2 VIDEO INTERCOMS AND 1 INTERCOM WITH INTERCOMMUNICATING SERVICE



Read notes 1abc, 2, 3 and 4 of page 124.

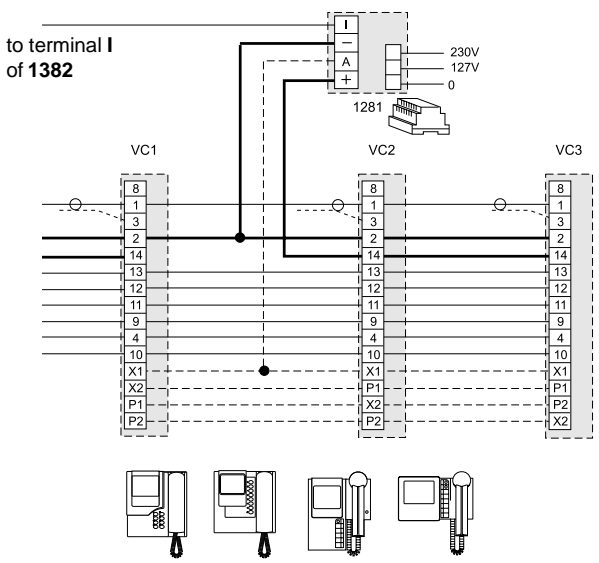
VC =
 PT5160 + WB5100
 PT5660 + WB5600 + 1283
 PT5860 + WB5600
 PV2160 + WB2100
 PV1260 + WB1200 + 1283

or, if intercommunicating
 PT5160 + WB5160
 PT5660 + WB5660 + 1283
 PT5860 + WB5660
 PV2160 + WB2160
 PV1260 + WB1260 + 1283

CT =
 PT510
 PV100
 924
 or, if intercommunicating
 PT520 + SR40 + PT501

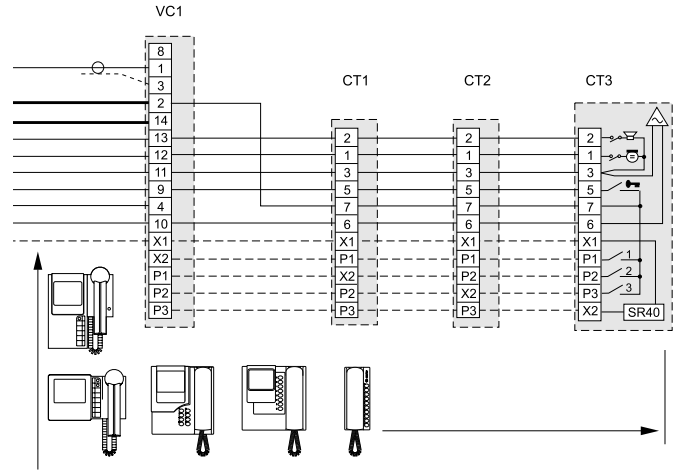


3 INTERCOMMUNICATING VIDEO INTERCOMS



Read notes 1abc, 2, 3 and 4 of page 124.

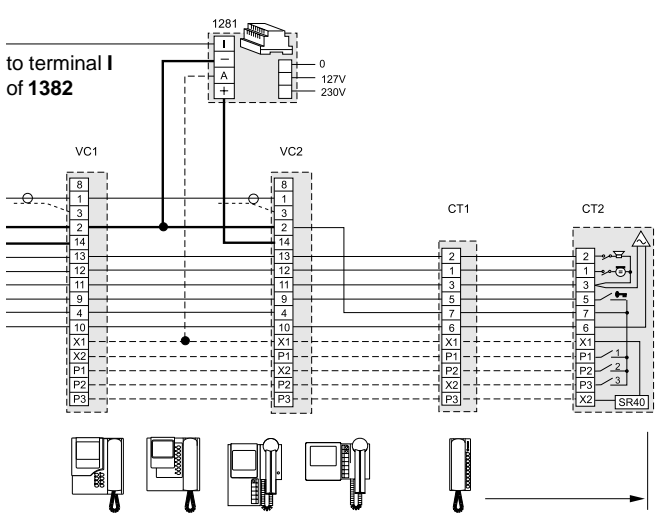
1 VIDEO INTERCOM AND 3 INTERCOMS WITH INTERCOMMUNICATING SERVICE



X1 to be connected to terminal A of art.1382

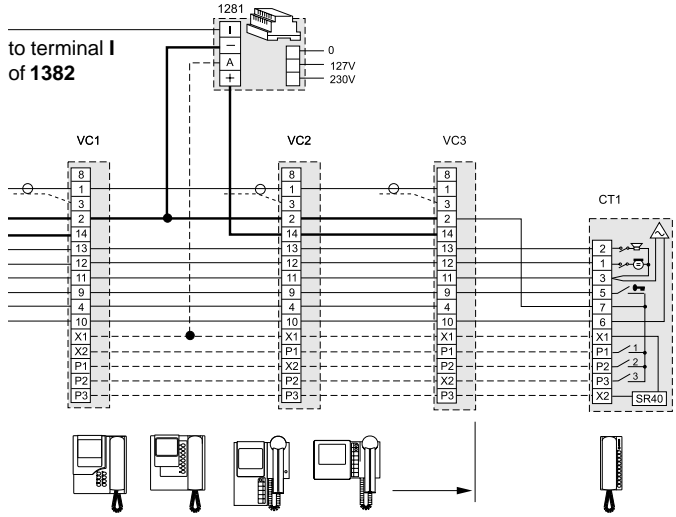
Read notes 1abc, 2 and 4 of page 124.

2 VIDEO INTERCOMS AND 2 INTERCOMS WITH INTERCOMMUNICATING SERVICE



Read notes 1abc, 2, 3 and 4 of page 124.

3 VIDEO INTERCOMS AND 1 INTERCOM WITH INTERCOMMUNICATING SERVICE



Read notes 1abc, 2, 3 and 4 of page 124.

VC =
 PT5160 + WB5100
 PT5660 + WB5600 + 1283
 PT5860 + WB5600
 PV2160 + WB2100
 PV1260 + WB1200 + 1283

or, if intercommunicating
 PT5160 + WB5160
 PT5660 + WB5660 + 1283
 PT5860 + WB5660
 PV2160 + WB2160
 PV1260 + WB1260 + 1283

CT =
 PT510
 PV100
 924
 or, if intercommunicating
 PT520 + SR40 + PT501

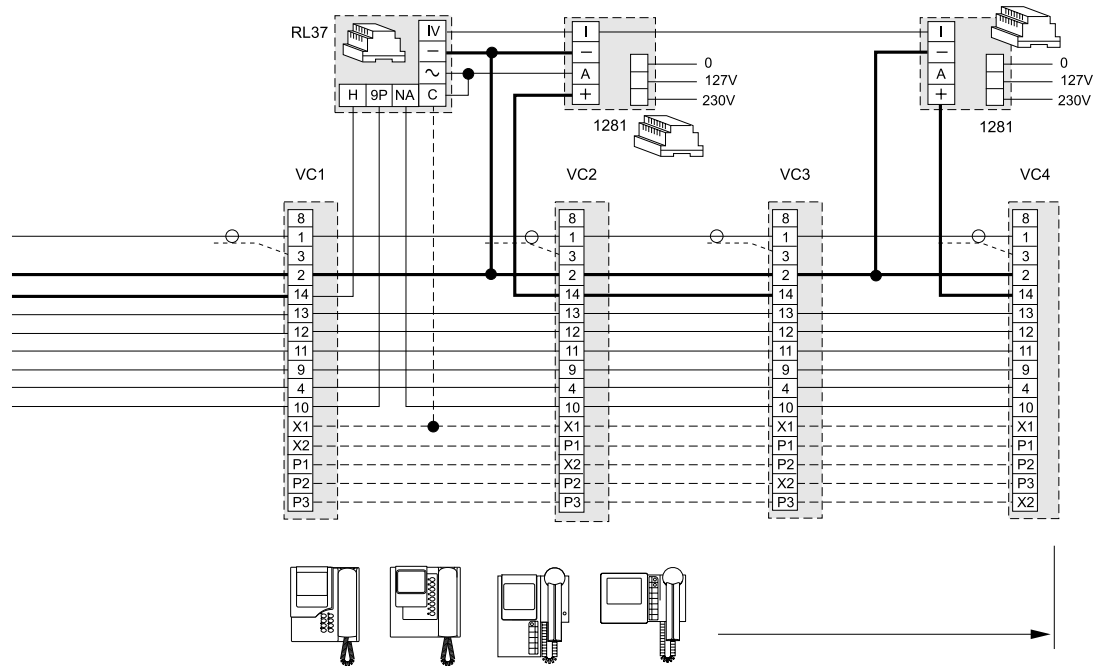


coax



ONE-WAY additional diagrams

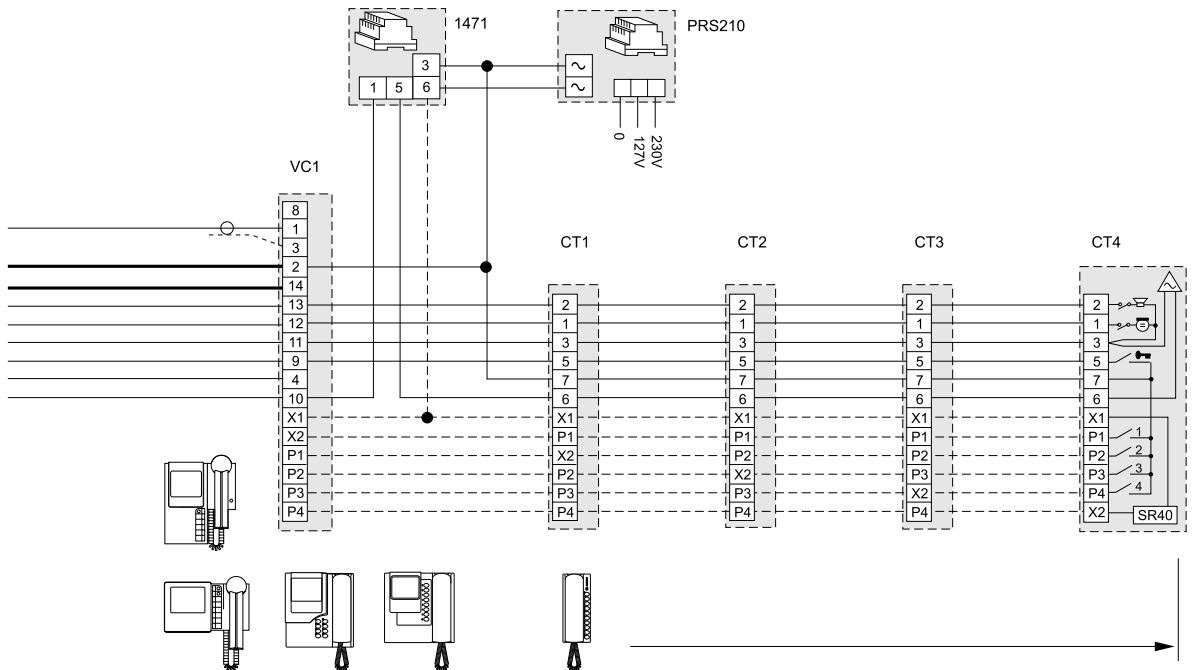
4 INTERCOMMUNICATING VIDEO INTERCOMS



- VC =**
- PT5160 + WB5100
 - PT5660 + WB5600 + 1283
 - PT5860 + WB5600
 - PV2160 + WB2100
 - PV1260 + WB1200 + 1283
- or, if intercommunicating
- PT5160 + WB5160
 - PT5660 + WB5660 + 1283
 - PT5860 + WB5660
 - PV2160 + WB2160
 - PV1260 + WB1260 + 1283

Read notes 1abc, 3 and 4 of page 124.

1 VIDEO INTERCOM AND 4 INTERCOMS WITH INTERCOMMUNICATING SERVICE



- VC =**
- PT5160 + WB5100
 - PT5660 + WB5600 + 1283
 - PT5860 + WB5600
 - PV2160 + WB2100
 - PV1260 + WB1200 + 1283
- or, if intercommunicating
- PT5160 + WB5160
 - PT5660 + WB5660 + 1283
 - PT5860 + WB5660
 - PV2160 + WB2160
 - PV1260 + WB1260 + 1283
- CT =**
- PT510
 - PV100
 - 924
- or, if intercommunicating
- PT520 + SR40 + PT501

Read notes 1abc, 2, 3 and 4 of page 124.

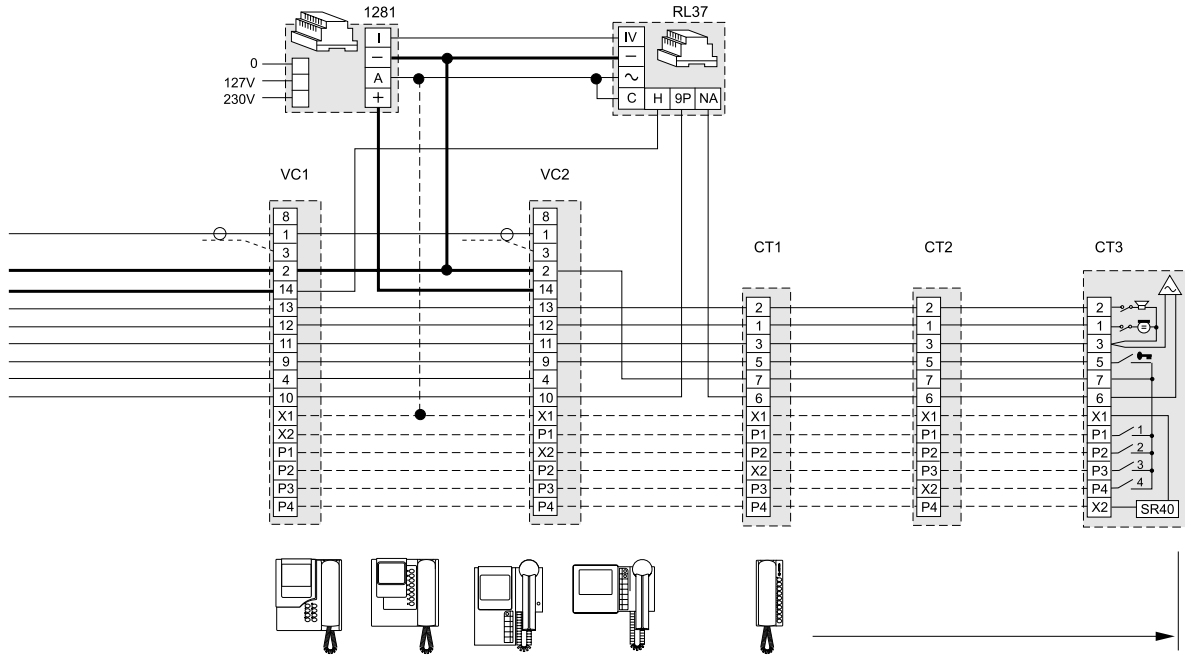


coax



ONE-WAY additional diagrams

2 VIDEO INTERCOMS AND 3 INTERCOMS WITH INTERCOMMUNICATING SERVICE



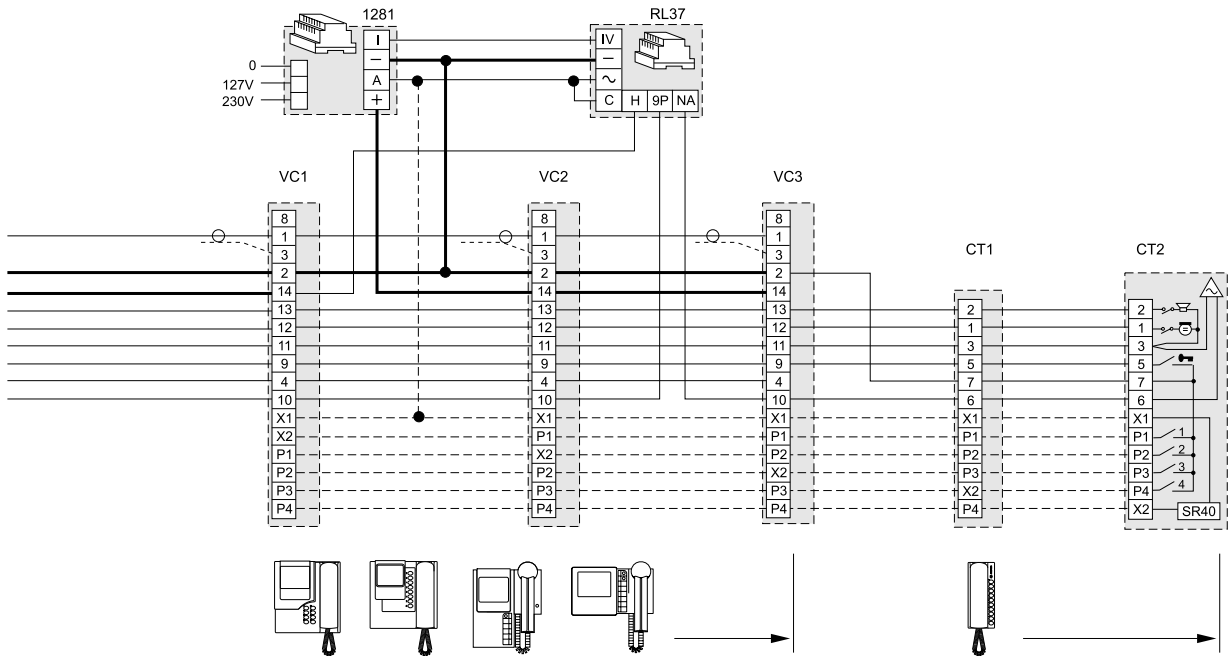
Read notes 1abc, 2, 3 and 4 of page 124.

VC =
 PT5160 + WB5100
 PT5660 + WB5600 + 1283
 PT5860 + WB5600
 PV2160 + WB2100
 PV1260 + WB1200 + 1283

or, if intercommunicating
 PT5160 + WB5160
 PT5660 + WB5660 + 1283
 PT5860 + WB5660
 PV2160 + WB2160
 PV1260 + WB1260 + 1283

CT =
 PT510
 PV100
 924
 or, if intercommunicating
 PT520 + SR40 + PT501

3 VIDEO INTERCOMS AND 2 INTERCOMS WITH INTERCOMMUNICATING SERVICE



Read notes 1abc, 2, 3 and 4 of page 124.

VC =
 PT5160 + WB5100
 PT5660 + WB5600 + 1283
 PT5860 + WB5600
 PV2160 + WB2100
 PV1260 + WB1200 + 1283

or, if intercommunicating
 PT5160 + WB5160
 PT5660 + WB5660 + 1283
 PT5860 + WB5660
 PV2160 + WB2160
 PV1260 + WB1260 + 1283

CT =
 PT510
 PV100
 924
 or, if intercommunicating
 PT520 + SR40 + PT501

INTERCOMS * VIDEOINTERCOMS * TELECOMMUNICATION

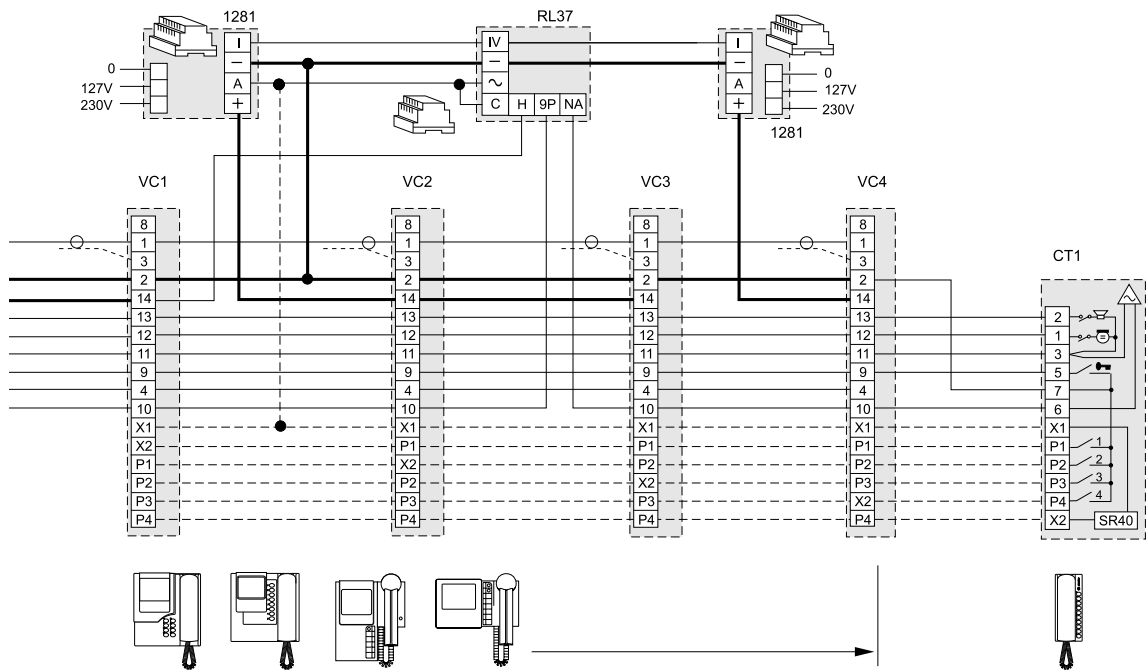


coax



ONE-WAY additional diagrams

4 VIDEO INTERCOMS AND 1 INTERCOM WITH INTERCOMMUNICATING SERVICE



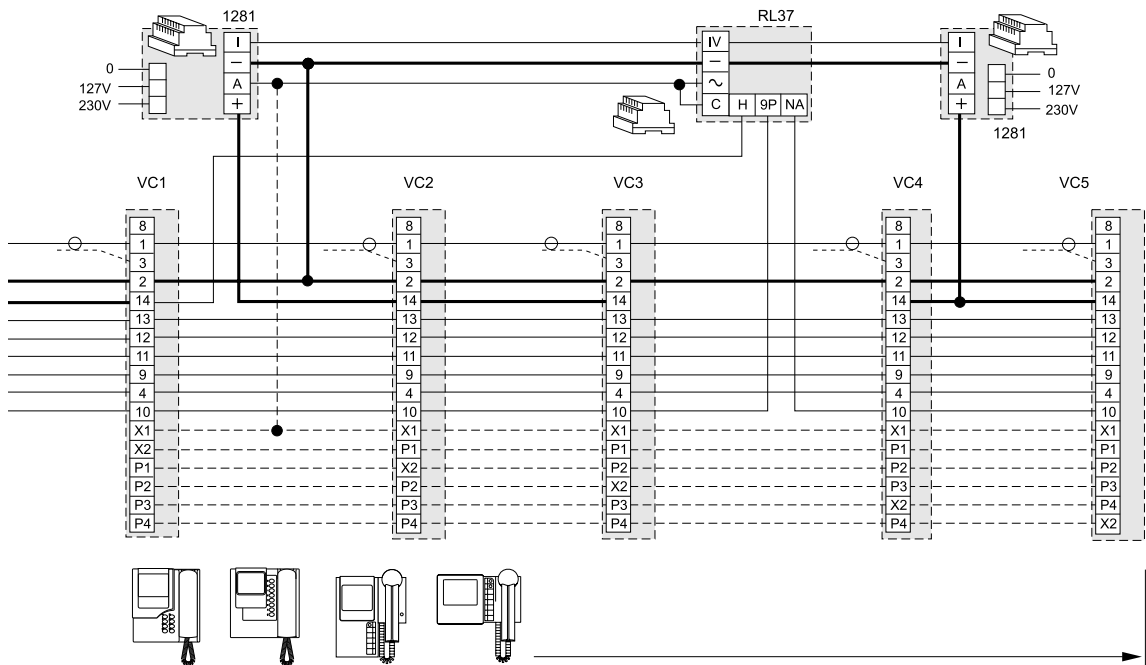
VC =
 PT5160 + WB5100
 PT5660 + WB5600 + 1283
 PT5860 + WB5600
 PV2160 + WB2100
 PV1260 + WB1200 + 1283

or, if intercommunicating
 PT5160 + WB5160
 PT5660 + WB5660 + 1283
 PT5860 + WB5660
 PV2160 + WB2160
 PV1260 + WB1260 + 1283

CT =
 PT510
 PV100
 924
 or, if intercommunicating
 PT520 + SR40 + PT501

Read notes 1abc, 2, 3 and 4 of page 124.

5 INTERCOMMUNICATING VIDEO INTERCOMS



VC =
 PT5160 + WB5100
 PT5660 + WB5600 + 1283
 PT5860 + WB5600
 PV2160 + WB2100
 PV1260 + WB1200 + 1283

or, if intercommunicating
 PT5160 + WB5160
 PT5660 + WB5660 + 1283
 PT5860 + WB5660
 PV2160 + WB2160
 PV1260 + WB1260 + 1283

Read notes 1abc, 3 and 4 of page 124.

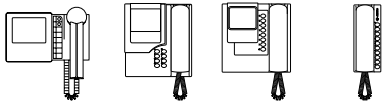
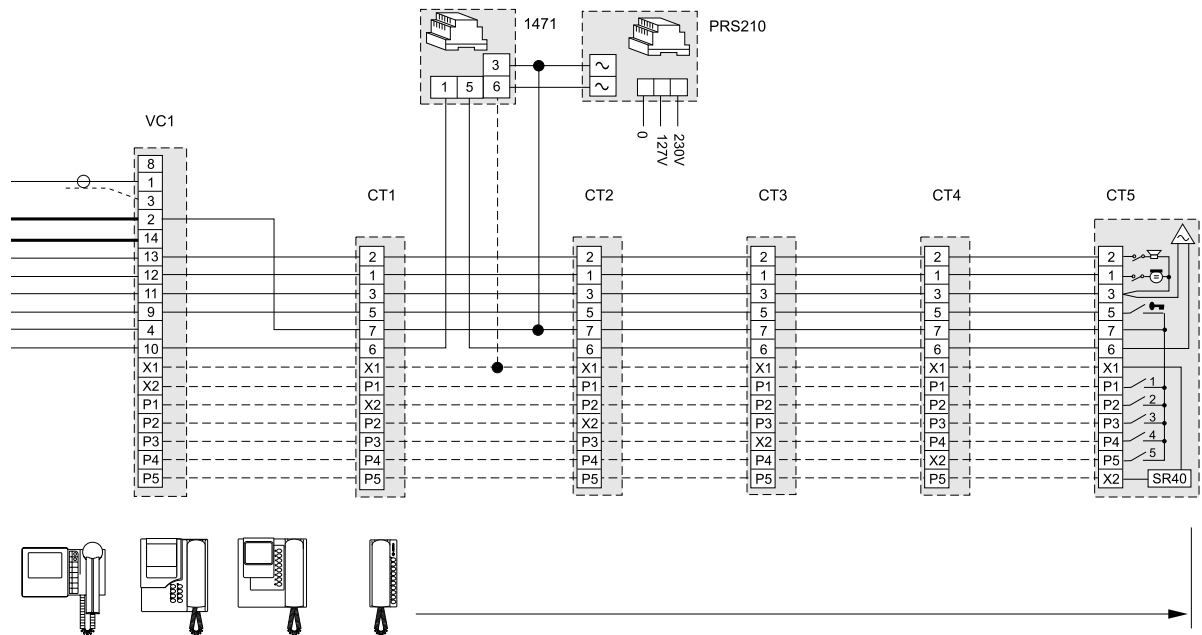


coax



ONE-WAY additional diagrams

1 VIDEO INTERCOM AND 5 INTERCOMS WITH INTERCOMMUNICATING SERVICE



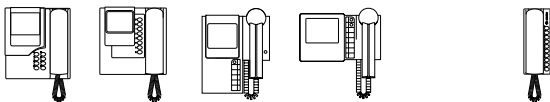
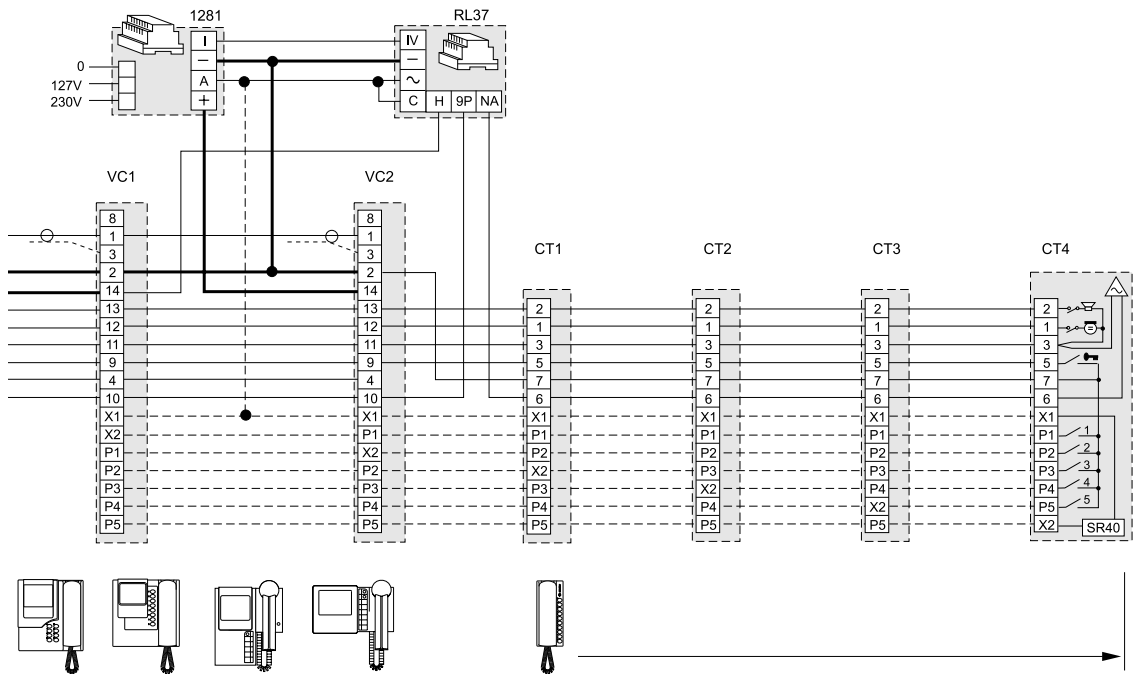
Read notes 1abc, 2 and 4 of page 124.

VC =
 PT5160 + WB5100
 PT5660 + WB5600 + 1283
 PT5860 + WB5600
 PV2160 + WB2100
 PV1260 + WB1200 + 1283

or, if intercommunicating
 PT5160 + WB5160
 PT5660 + WB5660 + 1283
 PT5860 + WB5660
 PV2160 + WB2160
 PV1260 + WB1260 + 1283

CT =
 PT510
 PV100
 924
 or, if intercommunicating
 PT520 + SR40 + PT501

2 VIDEO INTERCOMS AND 4 INTERCOMS WITH INTERCOMMUNICATING SERVICE



Read notes 1abc, 2, 3 and 4 of page 124.

VC =
 PT5160 + WB5100
 PT5660 + WB5600 + 1283
 PT5860 + WB5600
 PV2160 + WB2100
 PV1260 + WB1200 + 1283

or, if intercommunicating
 PT5160 + WB5160
 PT5660 + WB5660 + 1283
 PT5860 + WB5660
 PV2160 + WB2160
 PV1260 + WB1260 + 1283

CT =
 PT510
 PV100
 924
 or, if intercommunicating
 PT520 + SR40 + PT501

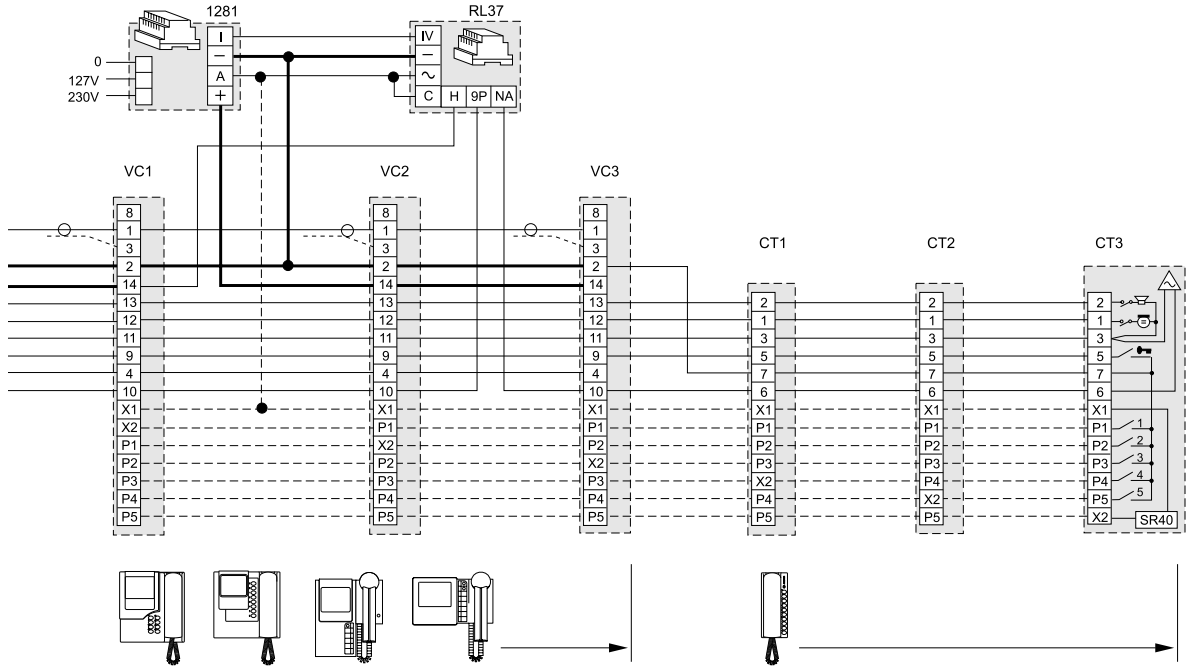


coax



ONE-WAY additional diagrams

3 VIDEO INTERCOMS AND 3 INTERCOMS WITH INTERCOMMUNICATING SERVICE



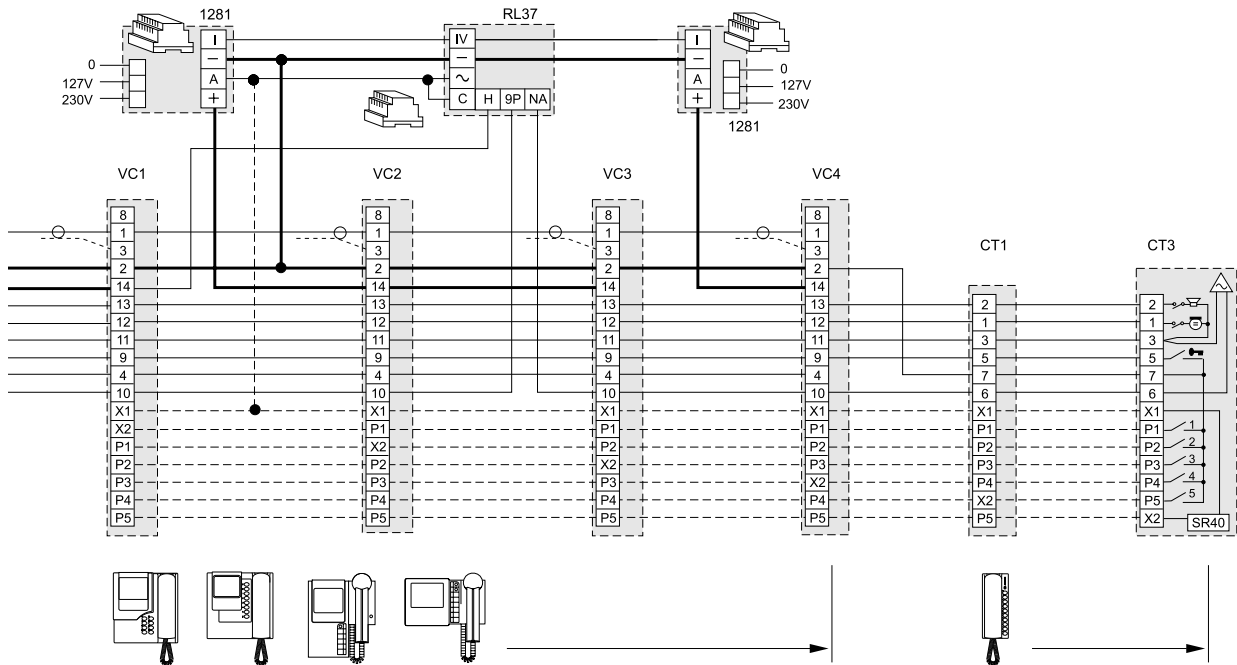
Read notes 1abc, 2, 3 and 4 of page 124.

VC =
 PT5160 + WB5100
 PT5660 + WB5600 + 1283
 PT5860 + WB5600
 PV2160 + WB2100
 PV1260 + WB1200 + 1283

or, if intercommunicating
 PT5160 + WB5160
 PT5660 + WB5660 + 1283
 PT5860 + WB5660
 PV2160 + WB2160
 PV1260 + WB1260 + 1283

CT =
 PT510
 PV100
 924
 or, if intercommunicating
 PT520 + SR40 + PT501

4 VIDEO INTERCOMS AND 2 INTERCOMS WITH INTERCOMMUNICATING SERVICE



Read notes 1abc, 2, 3 and 4 of page 124.

VC =
 PT5160 + WB5100
 PT5660 + WB5600 + 1283
 PT5860 + WB5600
 PV2160 + WB2100
 PV1260 + WB1200 + 1283

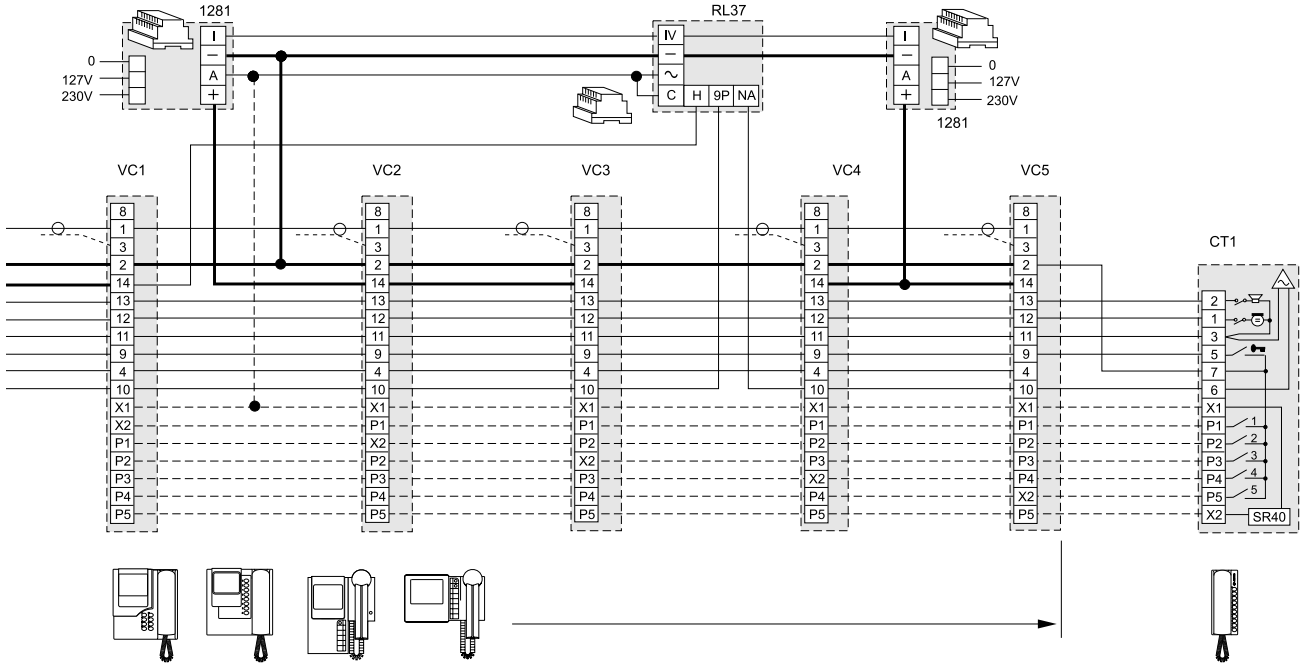
or, if intercommunicating
 PT5160 + WB5160
 PT5660 + WB5660 + 1283
 PT5860 + WB5660
 PV2160 + WB2160
 PV1260 + WB1260 + 1283

CT =
 PT510
 PV100
 924
 or, if intercommunicating
 PT520 + SR40 + PT501



ONE-WAY additional diagrams

5 VIDEO INTERCOMS AND 1 INTERCOM WITH INTERCOMMUNICATING SERVICE



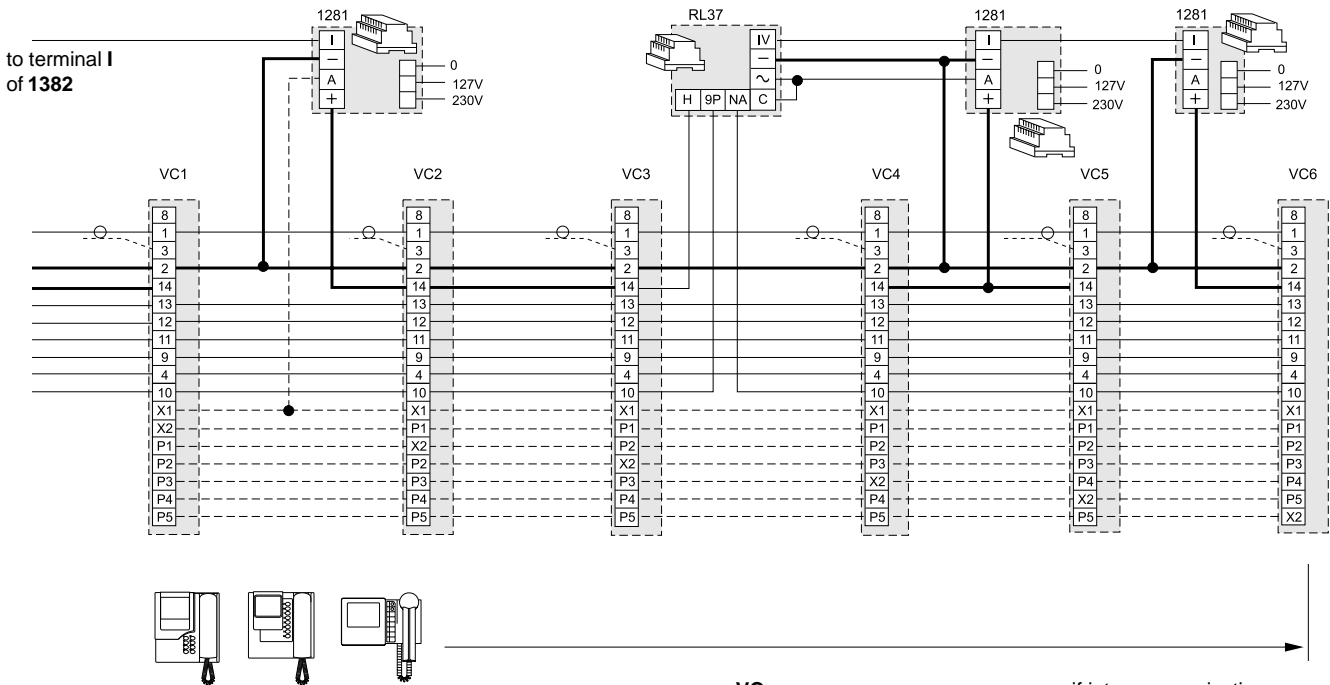
Read notes 1abc, 2, 3 and 4 of page 124.

VC =
 PT5160 + WB5100
 PT5660 + WB5600 + 1283
 PT5860 + WB5600
 PV2160 + WB2100
 PV1260 + WB1200 + 1283

or, if intercommunicating
 PT5160 + WB5160
 PT5660 + WB5660 + 1283
 PT5860 + WB5660
 PV2160 + WB2160
 PV1260 + WB1260 + 1283

CT =
 PT510
 PV100
 924
 or, if intercommunicating
 PT520 + SR40 + PT501

6 INTERCOMMUNICATING VIDEO INTERCOMS



Read notes 1abc, 3 and 4 of page 124.

VC =
 PT5160 + WB5100
 PT5660 + WB5600 + 1283
 PT5860 + WB5600
 PV2160 + WB2100
 PV1260 + WB1200 + 1283

or, if intercommunicating
 PT5160 + WB5160
 PT5660 + WB5660 + 1283
 PT5860 + WB5660
 PV2160 + WB2160
 PV1260 + WB1260 + 1283

INTERCOMS * VIDEOINTERCOMS * TELECOMMUNICATION

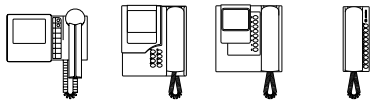
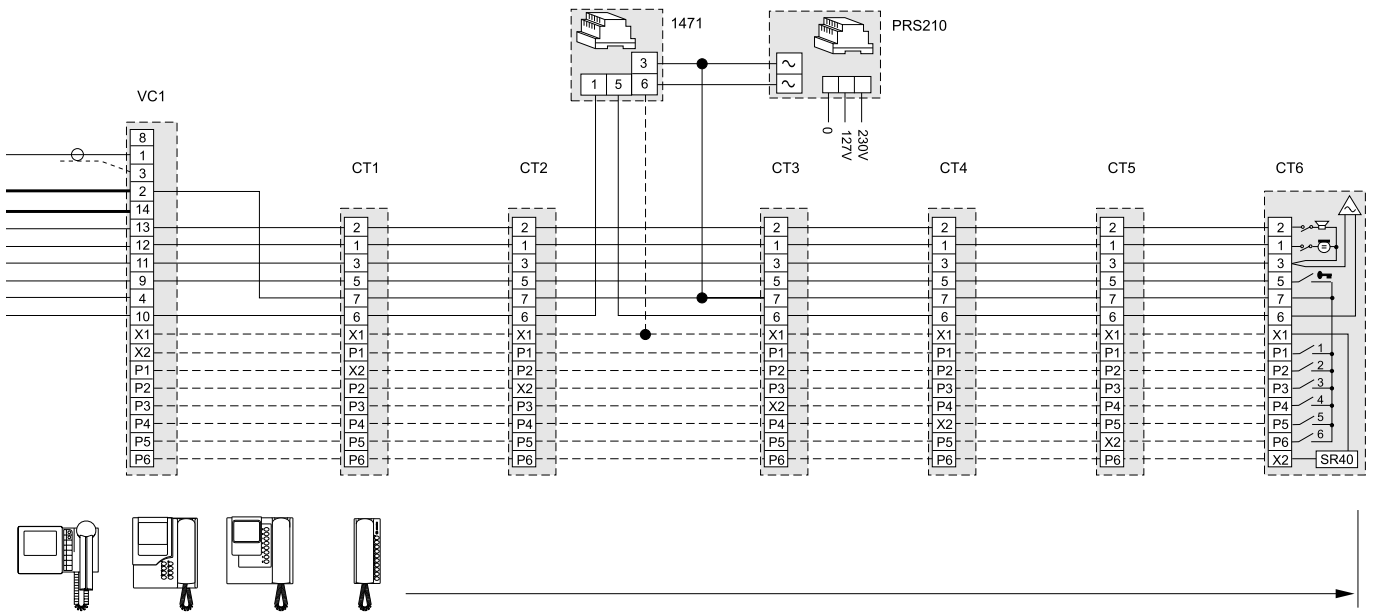


coax



ONE-WAY additional diagrams

1 VIDEO INTERCOM AND 6 INTERCOMS WITH INTERCOMMUNICATING SERVICE



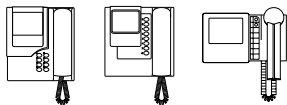
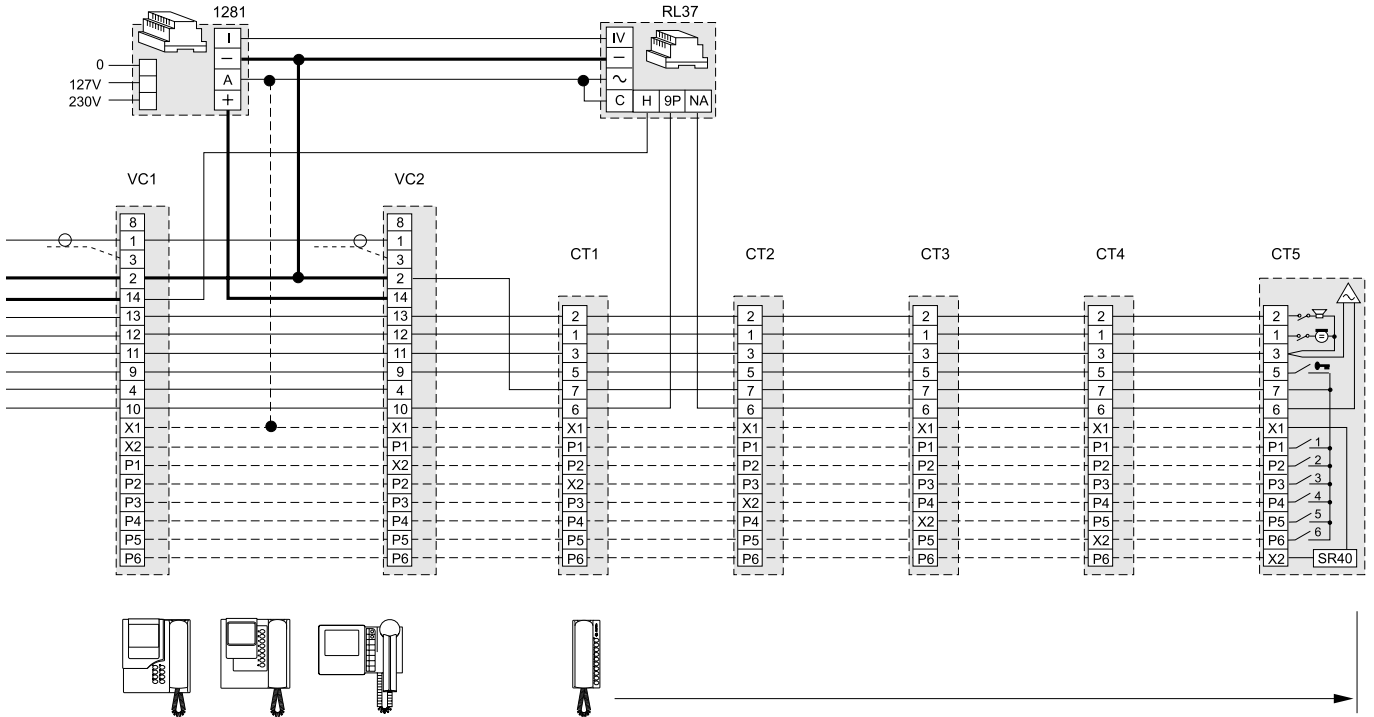
VC =
 PT5160 + WB5100
 PT5660 + WB5600 + 1283
 PT5860 + WB5600
 PV2160 + WB2100
 PV1260 + WB1200 + 1283

or, if intercommunicating
 PT5160 + WB5160
 PT5660 + WB5660 + 1283
 PT5860 + WB5660
 PV2160 + WB2160
 PV1260 + WB1260 + 1283

CT =
 PT510
 PV100
 924
 or, if intercommunicating
 PT520 + SR40 + PT501

Read notes 1abc and 2 of page 124.

2 VIDEO INTERCOMS AND 5 INTERCOMS WITH INTERCOMMUNICATING SERVICE



VC =
 PT5160 + WB5100
 PT5660 + WB5600 + 1283
 PT5860 + WB5600
 PV2160 + WB2100
 PV1260 + WB1200 + 1283

or, if intercommunicating
 PT5160 + WB5160
 PT5660 + WB5660 + 1283
 PT5860 + WB5660
 PV2160 + WB2160
 PV1260 + WB1260 + 1283

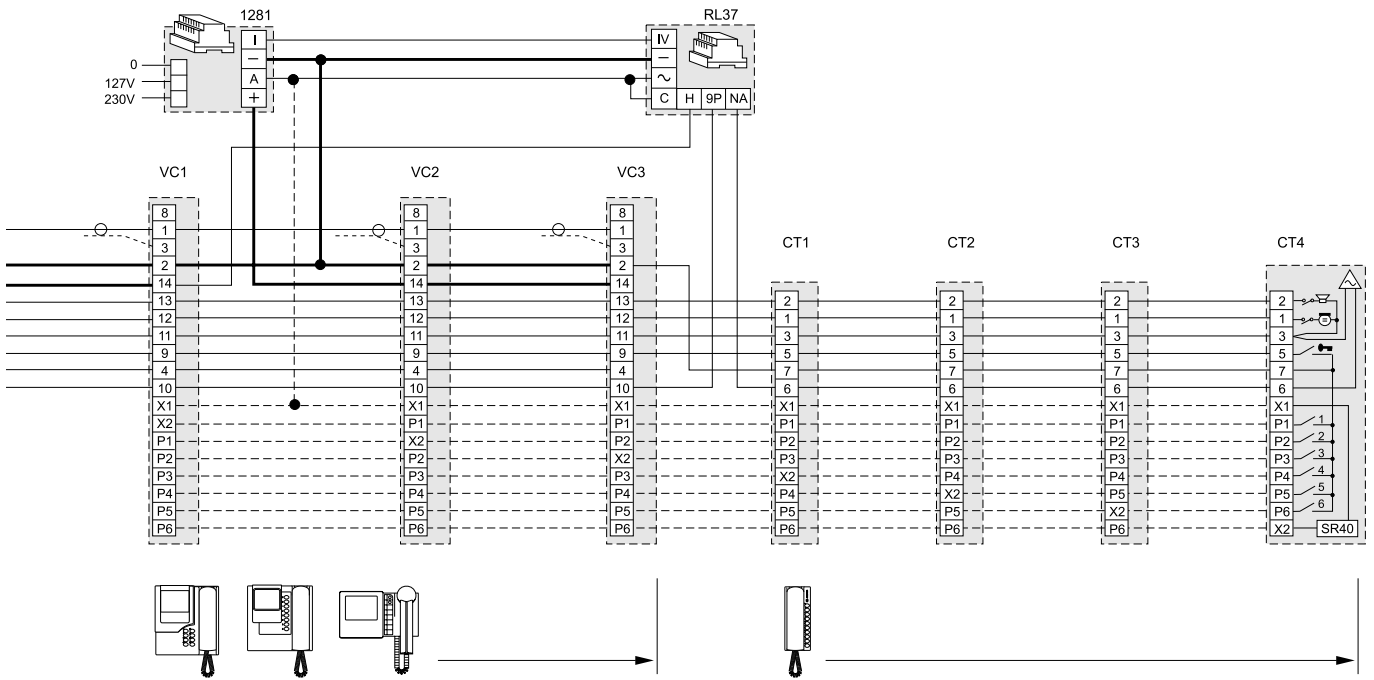
CT =
 PT510
 PV100
 924
 or, if intercommunicating
 PT520 + SR40 + PT501

Read notes 1abc, 2 and 3 of page 124.



ONE-WAY additional diagrams

3 VIDEO INTERCOMS AND 4 INTERCOMS WITH INTERCOMMUNICATING SERVICE



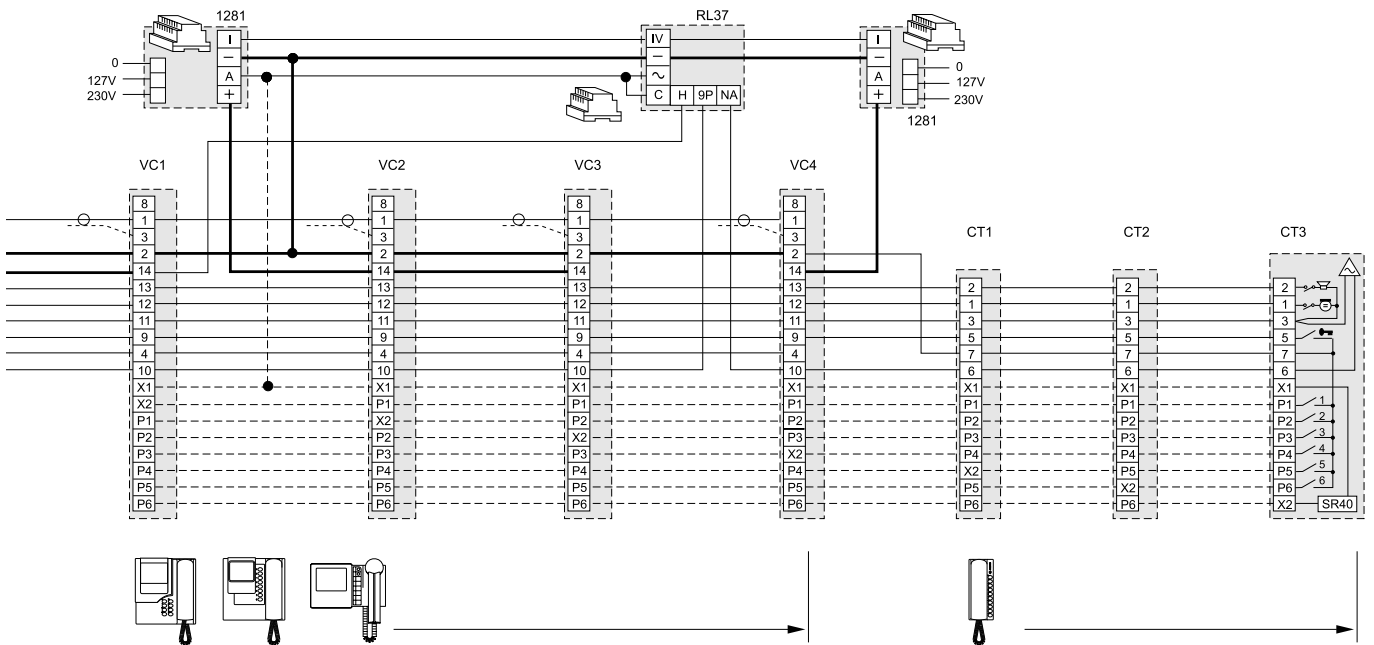
Read notes 1abc and 2 of page 124.

VC =
PT5160 + WB5100
PT5660 + WB5600 + 1283
PT5860 + WB5600
PV2160 + WB2100
PV1260 + WB1200 + 1283

or, if intercommunicating
PT5160 + WB5160
PT5660 + WB5660 + 1283
PT5860 + WB5660
PV2160 + WB2160
PV1260 + WB1260 + 1283

CT =
PT510
PV100
924
 or, if intercommunicating
PT520 + SR40 + PT501

4 VIDEO INTERCOMS AND 3 INTERCOMS WITH INTERCOMMUNICATING SERVICE



Read notes 1abc, 2 and 3 of page 124.

VC =
PT5160 + WB5100
PT5660 + WB5600 + 1283
PT5860 + WB5600
PV2160 + WB2100
PV1260 + WB1200 + 1283

or, if intercommunicating
PT5160 + WB5160
PT5660 + WB5660 + 1283
PT5860 + WB5660
PV2160 + WB2160
PV1260 + WB1260 + 1283

CT =
PT510
PV100
924
 or, if intercommunicating
PT520 + SR40 + PT501

INTERCOMS * VIDEOINTERCOMS * TELECOMMUNICATION

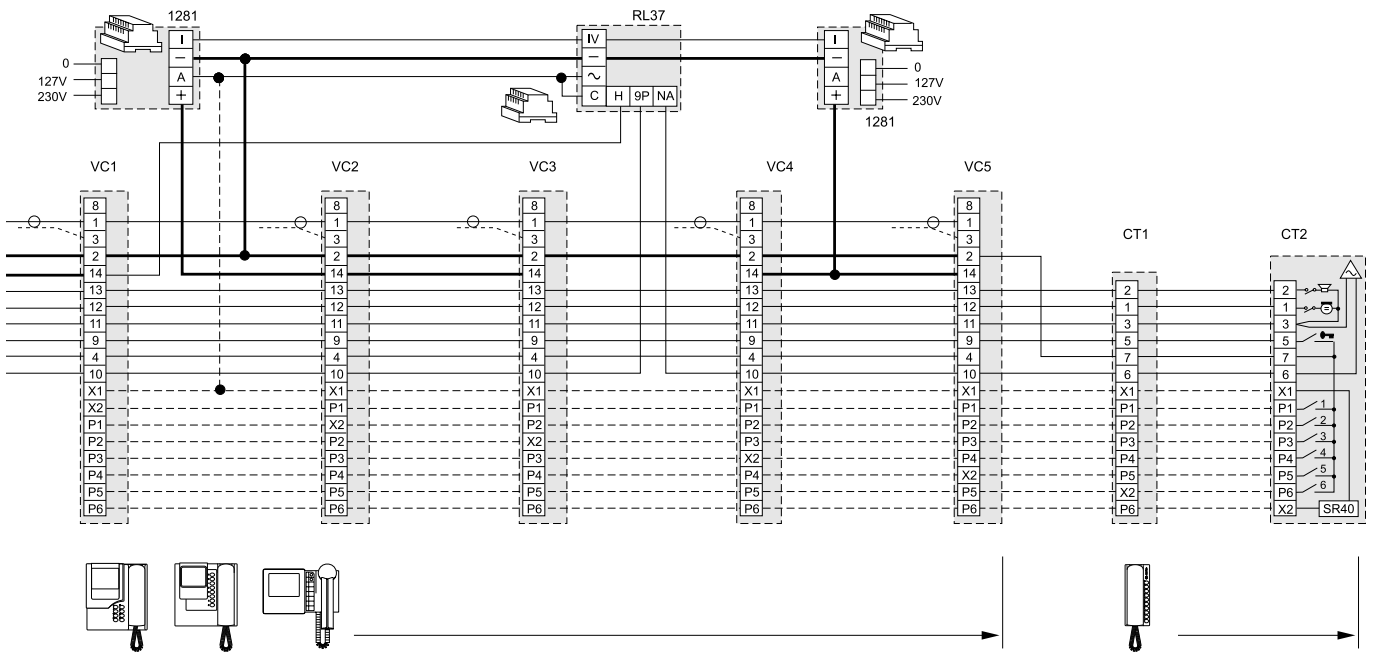


coax



ONE-WAY additional diagrams

5 VIDEO INTERCOMS AND 2 INTERCOMS WITH INTERCOMMUNICATING SERVICE



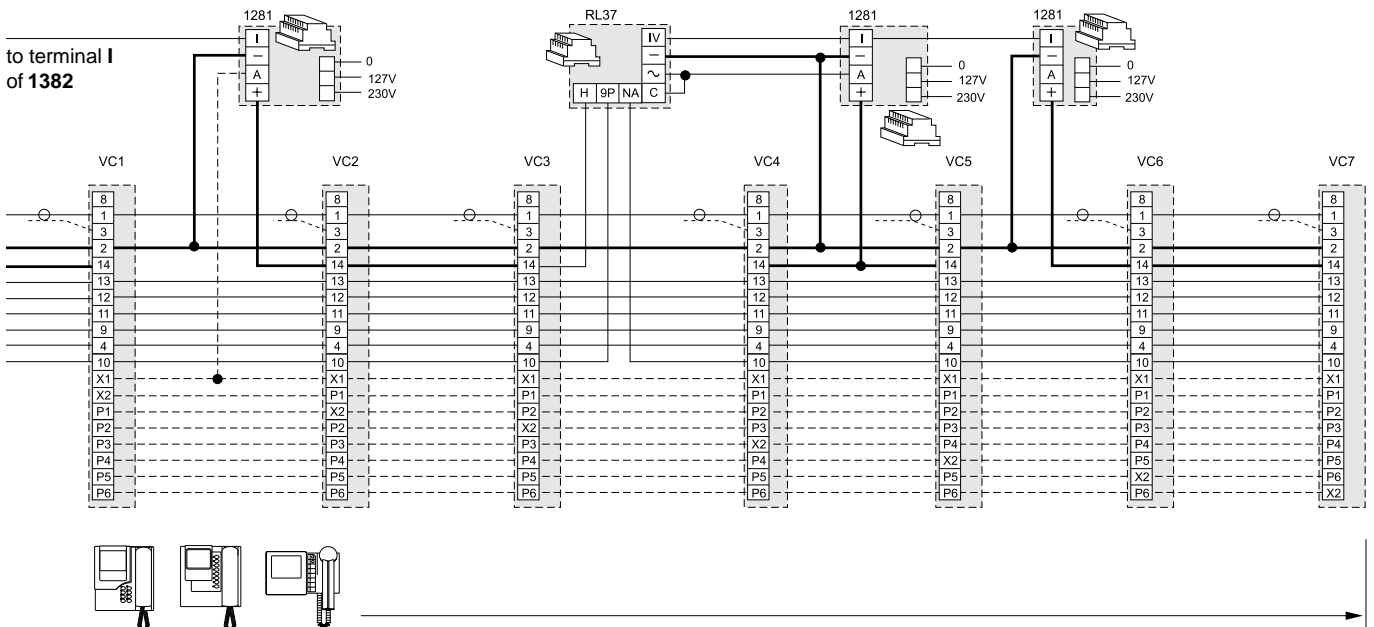
VC =
 PT5160 + WB5100
 PT5660 + WB5600 + 1283
 PT5860 + WB5600
 PV2160 + WB2100
 PV1260 + WB1200 + 1283

or, if intercommunicating
 PT5160 + WB5160
 PT5660 + WB5660 + 1283
 PT5860 + WB5660
 PV2160 + WB2160
 PV1260 + WB1260 + 1283

CT =
 PT510
 PV100
 924
 or, if intercommunicating
 PT520 + SR40 + PT501

Read notes 1abc, 2 and 3 of page 124.

7 INTERCOMMUNICATING VIDEO INTERCOMS



VC =
 PT5160 + WB5100
 PT5660 + WB5600 + 1283
 PT5860 + WB5600
 PV2160 + WB2100
 PV1260 + WB1200 + 1283

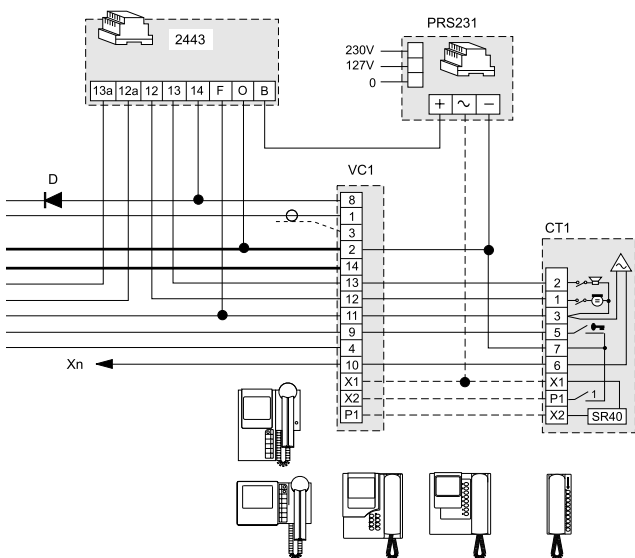
or, if intercommunicating
 PT5160 + WB5160
 PT5660 + WB5660 + 1283
 PT5860 + WB5660
 PV2160 + WB2160
 PV1260 + WB1260 + 1283

Read notes 1abc and 3 of page 124.



MULTI-WAY additional diagrams

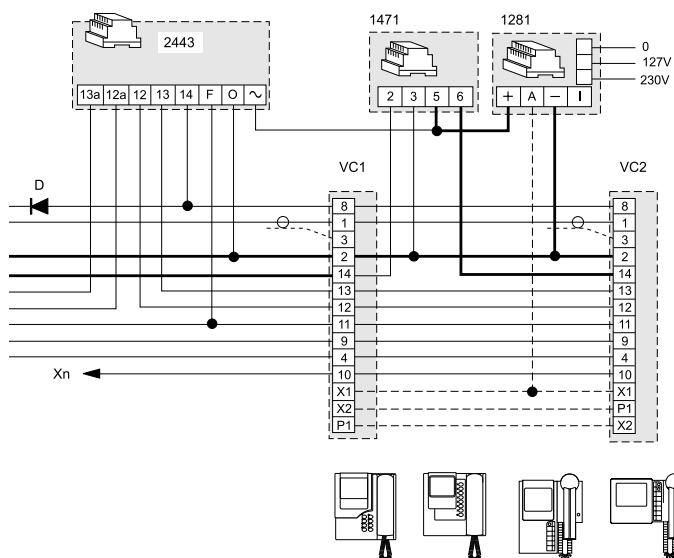
1 VIDEO INTERCOM AND 1 INTERCOM WITH INTERCOMMUNICATING SERVICE



D = 100V-1A diode (type 1N4007)

Read notes 1ac, 2, 4 and 5 of page 124.

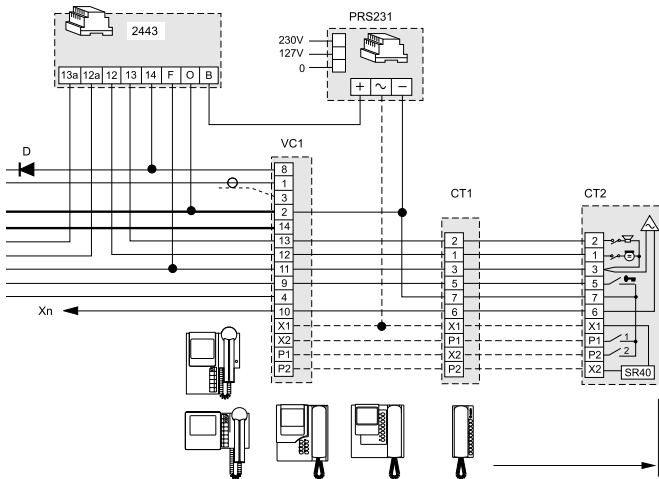
2 INTERCOMMUNICATING VIDEO INTERCOMS



D = 100V-1A diode (type 1N4007)

Read notes 1ac, 3, 4 and 5 of page 124.

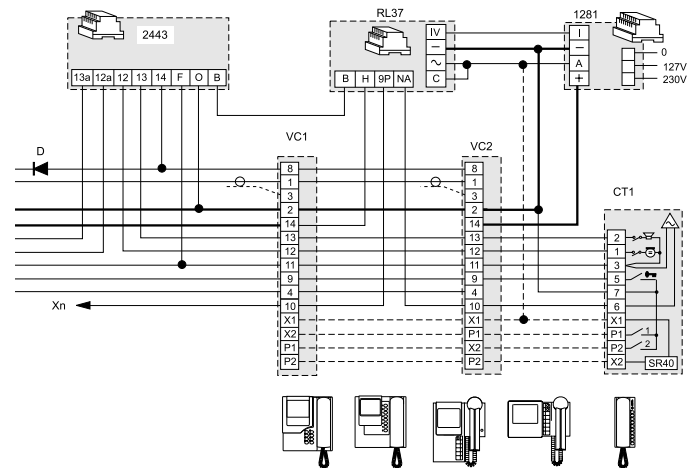
1 VIDEO INTERCOM AND 2 INTERCOMS WITH INTERCOMMUNICATING SERVICE



D = 100V-1A diode (type 1N4007)

Read notes 1ac, 2, 4 and 5 of page 124.

2 VIDEO INTERCOMS AND 1 INTERCOM WITH INTERCOMMUNICATING SERVICE



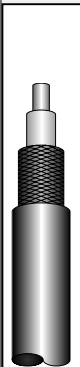
D = 100V-1A diode (type 1N4007)

Read notes 1ac, 2, 3, 4 and 5 of page 124.

VC =
 PT5160 + WB5100
 PT5660 + WB5600 + 1283
 PT5860 + WB5600
 PV2160 + WB2100
 PV1260 + WB1200 + 1283

or, if intercommunicating
 PT5160 + WB5160
 PT5660 + WB5660 + 1283
 PT5860 + WB5660
 PV2160 + WB2160
 PV1260 + WB1260 + 1283

CT =
 PT510
 PV100
 924
 or, if intercommunicating
 PT520 + SR40 + PT501

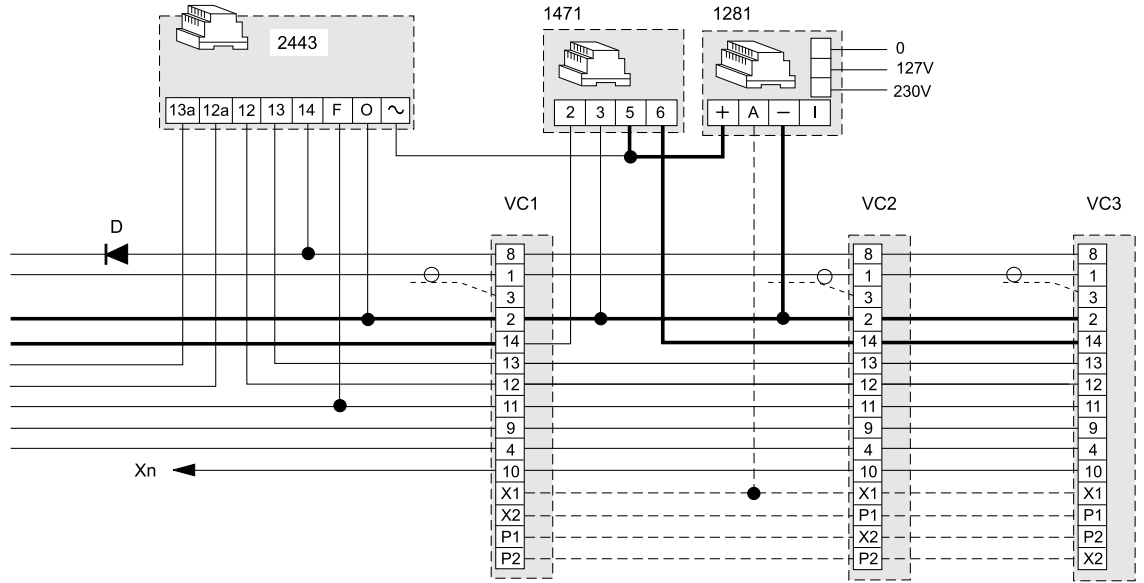


coax

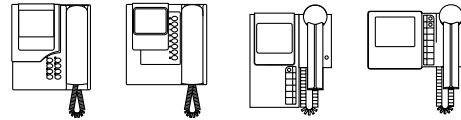


MULTI-WAY additional diagrams

3 INTERCOMMUNICATING VIDEO INTERCOMS



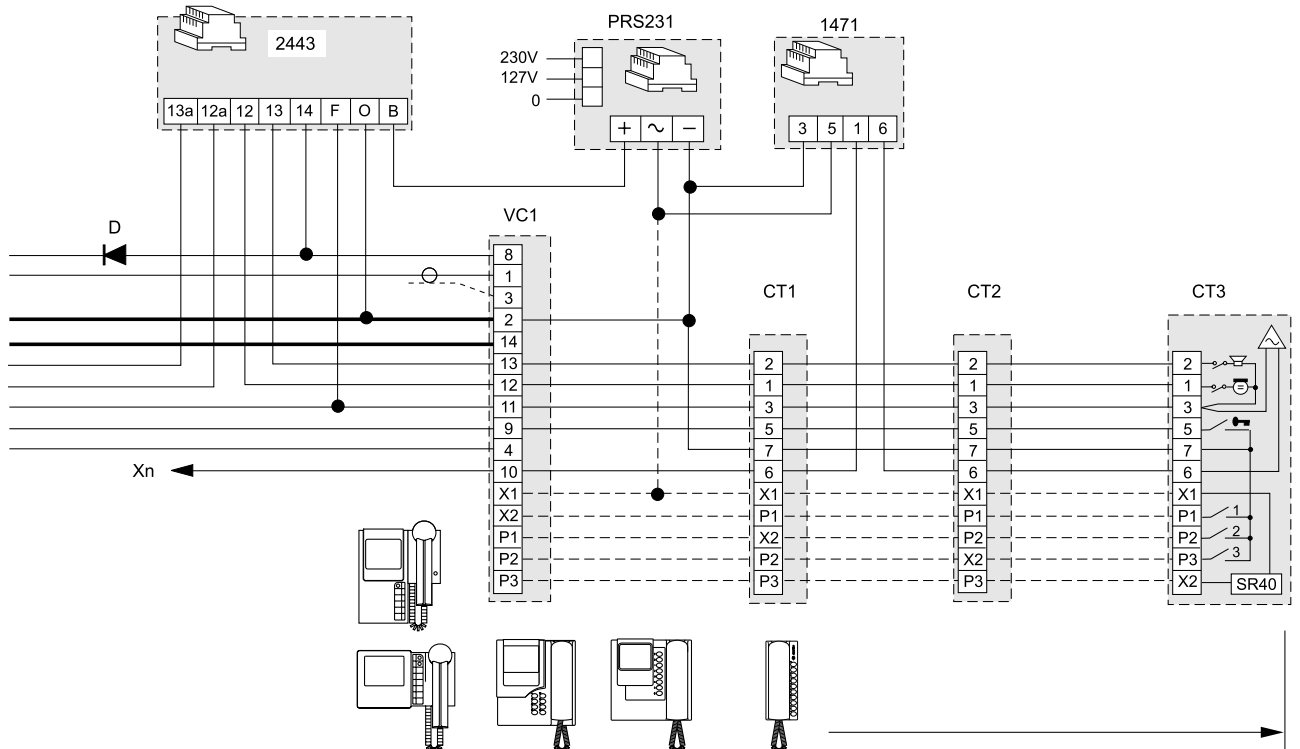
- VC =**
- | | | |
|------------------------|---------------------------|------------------------|
| PT5160 + WB5100 | or, if intercommunicating | PT5160 + WB5160 |
| PT5660 + WB5600 + 1283 | | PT5660 + WB5660 + 1283 |
| PT5860 + WB5600 | | PT5860 + WB5660 |
| PV2160 + WB2100 | | PV2160 + WB2160 |
| PV1260 + WB1200 + 1283 | | PV1260 + WB1260 + 1283 |



D = 100V-1A diode (type 1N4007)

Read notes 1ac, 3, 4 and 5 of page 124.

1 VIDEO INTERCOM AND 3 INTERCOMS WITH INTERCOMMUNICATING SERVICE



coax

D = 100V-1A diode (type 1N4007)

Read notes 1ac, 2, 4 and 5 of page 124.

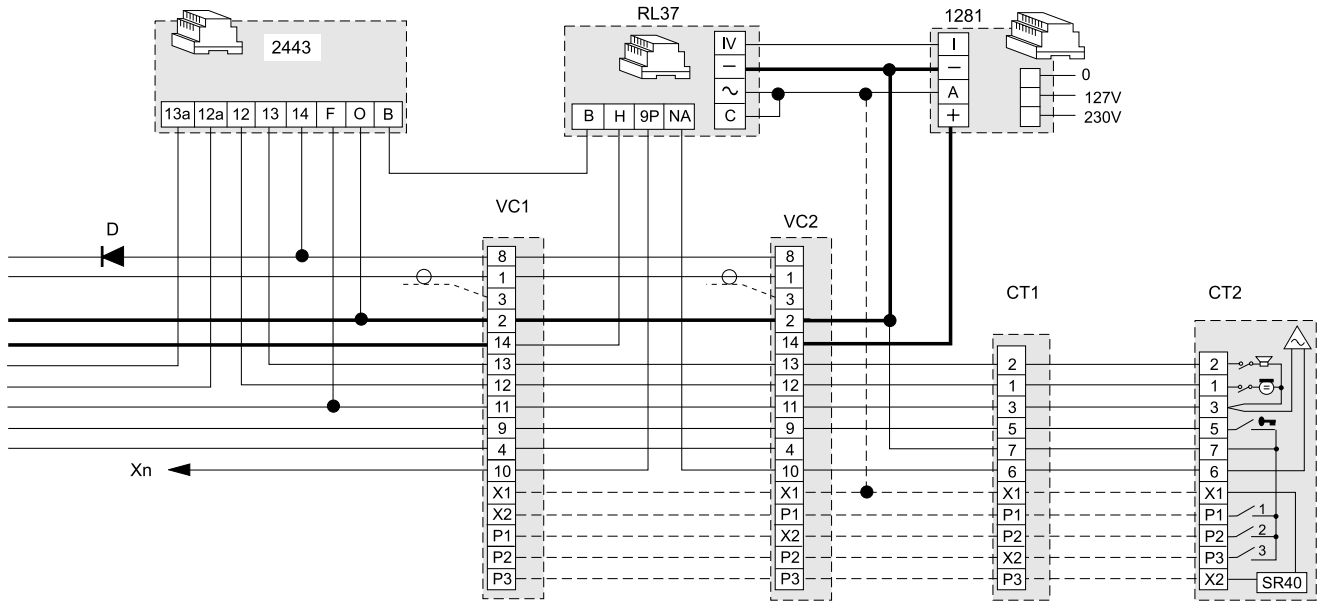
- | | |
|------------------------|---------------------------|
| VC = | or, if intercommunicating |
| PT5160 + WB5100 | PT5160 + WB5160 |
| PT5660 + WB5600 + 1283 | PT5660 + WB5660 + 1283 |
| PT5860 + WB5600 | PT5860 + WB5660 |
| PV2160 + WB2100 | PV2160 + WB2160 |
| PV1260 + WB1200 + 1283 | PV1260 + WB1260 + 1283 |

- CT =**
- PT510
PV100
924
- or, if intercommunicating
PT520 + SR40 + PT501



MULTI-WAY additional diagrams

2 VIDEO INTERCOMS AND 2 INTERCOMS WITH INTERCOMMUNICATING SERVICE



D = 100V-1A diode (type 1N4007)

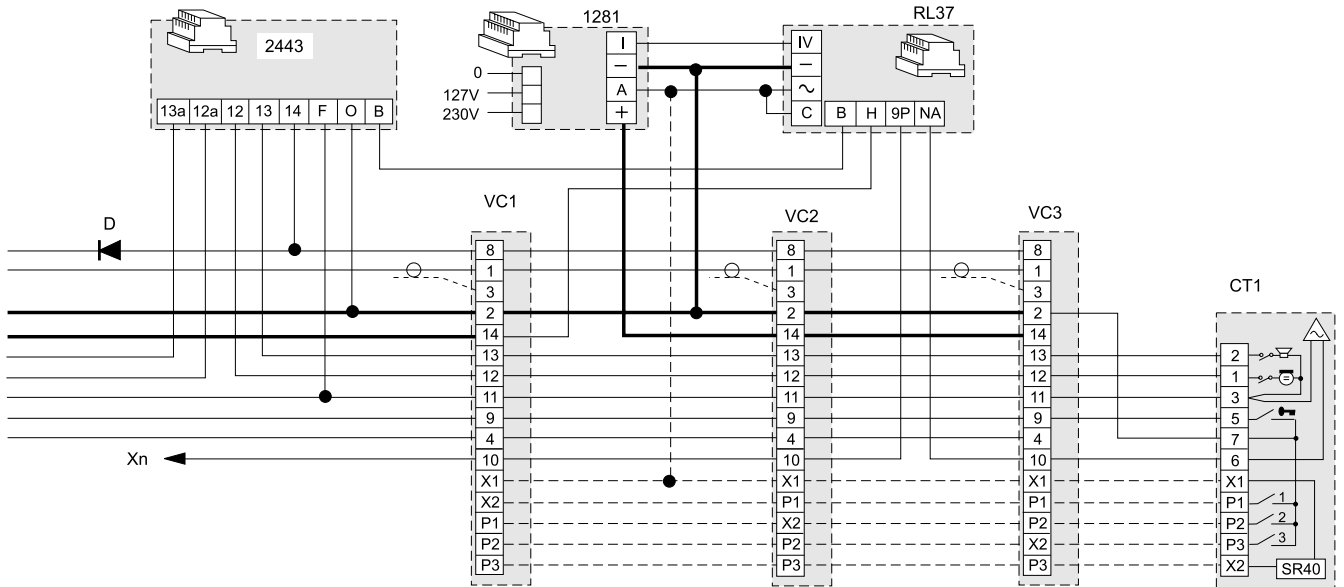
Read notes 1ac, 2, 3, 4 and 5 of page 124.

VC =
 PT5160 + WB5100
 PT5660 + WB5600 + 1283
 PT5860 + WB5600
 PV2160 + WB2100
 PV1260 + WB1200 + 1283

or, if intercommunicating
 PT5160 + WB5160
 PT5660 + WB5660 + 1283
 PT5860 + WB5660
 PV2160 + WB2160
 PV1260 + WB1260 + 1283

CT =
 PT510
 PV100
 924
 or, if intercommunicating
 PT520 + SR40 + PT501

3 VIDEO INTERCOMS AND 1 INTERCOM WITH INTERCOMMUNICATING SERVICE



D = 100V-1A diode (type 1N4007)

Read notes 1ac, 2, 3, 4 and 5 of page 124.

VC =
 PT5160 + WB5100
 PT5660 + WB5600 + 1283
 PT5860 + WB5600
 PV2160 + WB2100
 PV1260 + WB1200 + 1283

or, if intercommunicating
 PT5160 + WB5160
 PT5660 + WB5660 + 1283
 PT5860 + WB5660
 PV2160 + WB2160
 PV1260 + WB1260 + 1283

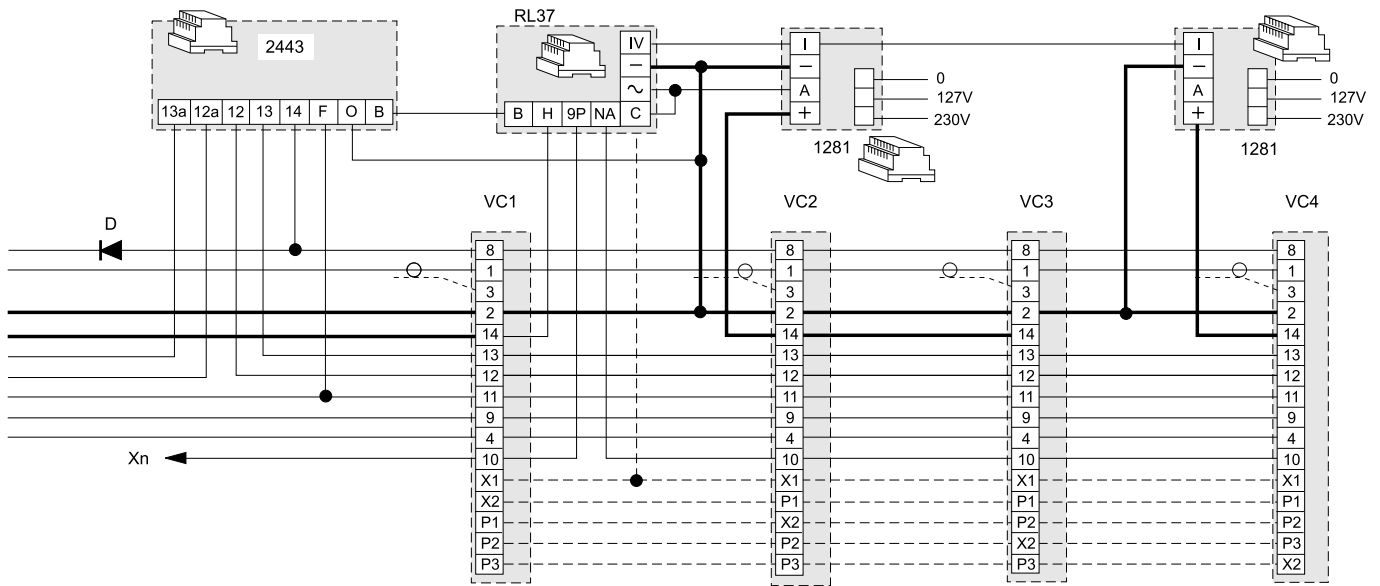
CT =
 PT510
 PV100
 924
 or, if intercommunicating
 PT520 + SR40 + PT501

INTERCOMS * VIDEOINTERCOMS * TELECOMMUNICATION



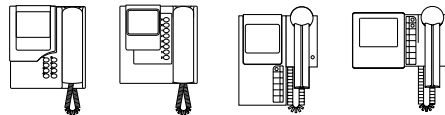
MULTI-WAY additional diagrams

4 INTERCOMMUNICATING VIDEO INTERCOMS



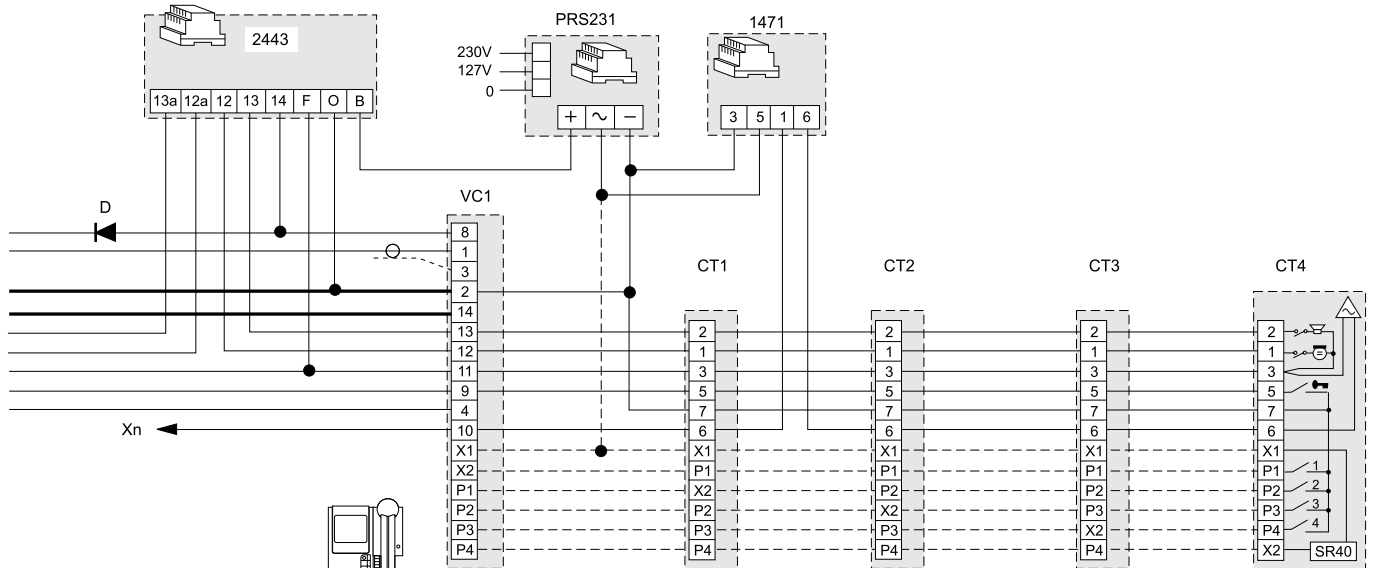
D = 100V-1A diode (type 1N4007)

Read notes 1 ac, 2, 3, 4 and 5 of page 124.



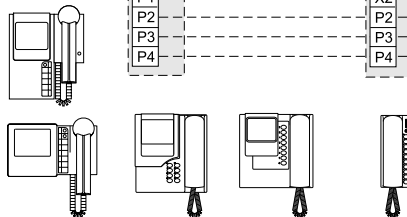
- VC =**
- PT5160 + WB5100
 - PT5660 + WB5600 + 1283
 - PT5860 + WB5600
 - PV2160 + WB2100
 - PV1260 + WB1200 + 1283
- or, if intercommunicating
- PT5160 + WB5160
 - PT5660 + WB5660 + 1283
 - PT5860 + WB5660
 - PV2160 + WB2160
 - PV1260 + WB1260 + 1283

1 VIDEO INTERCOM AND 4 INTERCOMS WITH INTERCOMMUNICATING SERVICE



D = 100V-1A diode (type 1N4007)

Read notes 1 ac, 2, 4 and 5 of page 124.

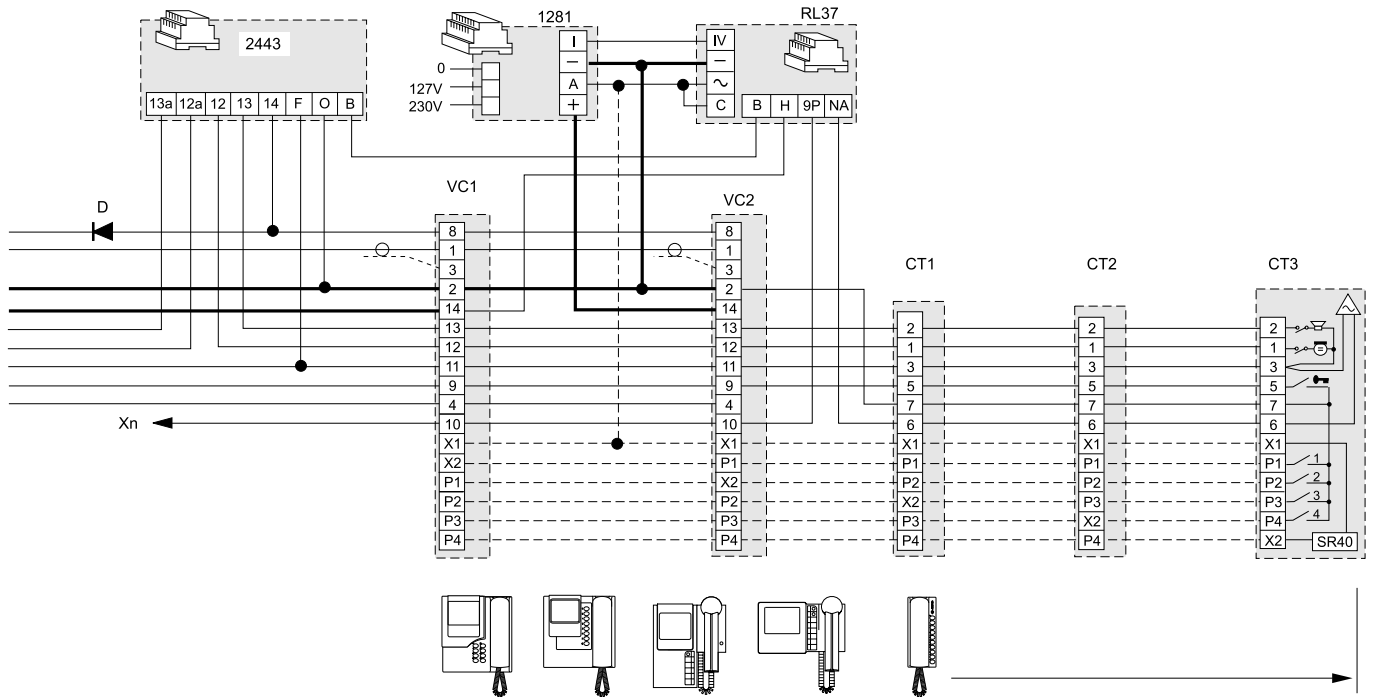


- VC =**
- PT5160 + WB5100
 - PT5660 + WB5600 + 1283
 - PT5860 + WB5600
 - PV2160 + WB2100
 - PV1260 + WB1200 + 1283
- or, if intercommunicating
- PT5160 + WB5160
 - PT5660 + WB5660 + 1283
 - PT5860 + WB5660
 - PV2160 + WB2160
 - PV1260 + WB1260 + 1283
- CT =**
- PT510
 - PV100
 - 924
- or, if intercommunicating
- PT520 + SR40 + PT501



MULTI-WAY additional diagrams

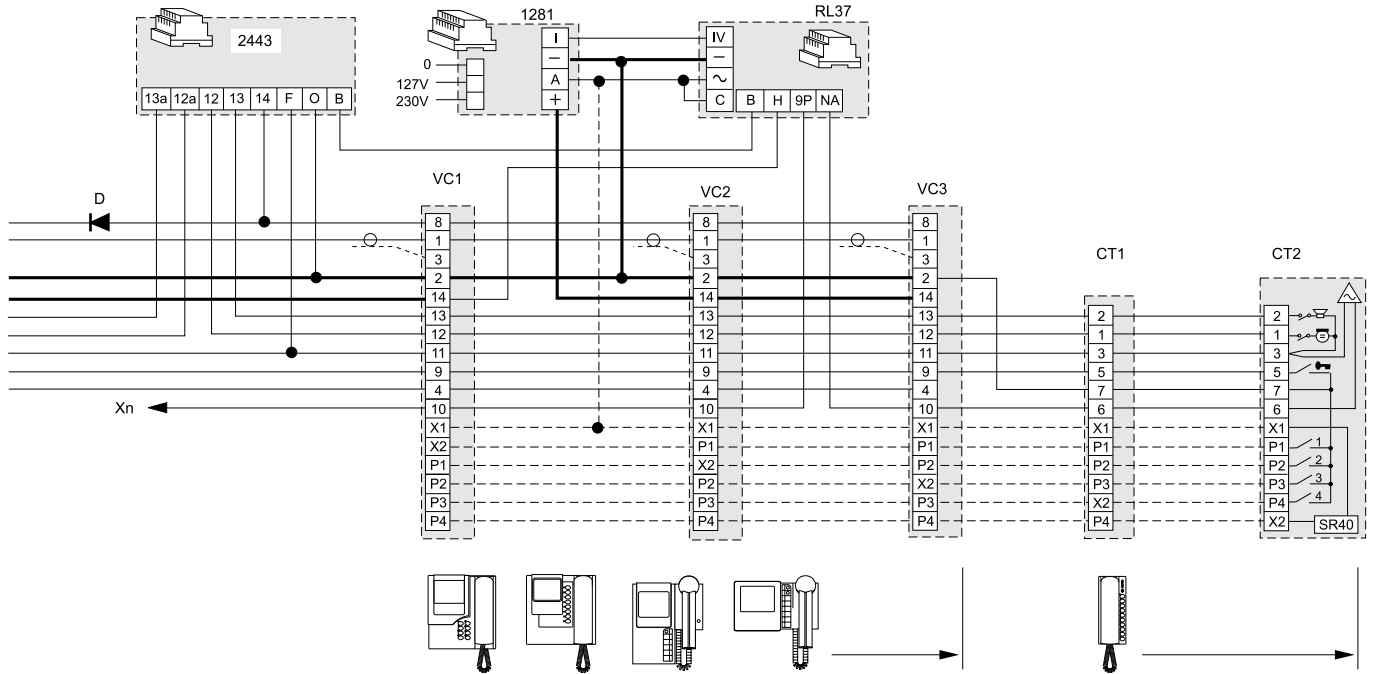
2 VIDEO INTERCOMS AND 3 INTERCOMS WITH INTERCOMMUNICATING SERVICE



D = 100V-1A diode (type 1N4007)
 Read notes 1ac, 2, 3, 4 and 5 of page 124.

VC = PT5160 + WB5100 PT5660 + WB5600 + 1283 PT5860 + WB5600 PV2160 + WB2100 PV1260 + WB1200 + 1283	or, if intercommunicating PT5160 + WB5160 PT5660 + WB5660 + 1283 PT5860 + WB5660 PV2160 + WB2160 PV1260 + WB1260 + 1283	CT = PT510 PV100 924 or, if intercommunicating PT520 + SR40 + PT501
--	---	---

3 VIDEO INTERCOMS AND 2 INTERCOMS WITH INTERCOMMUNICATING SERVICE



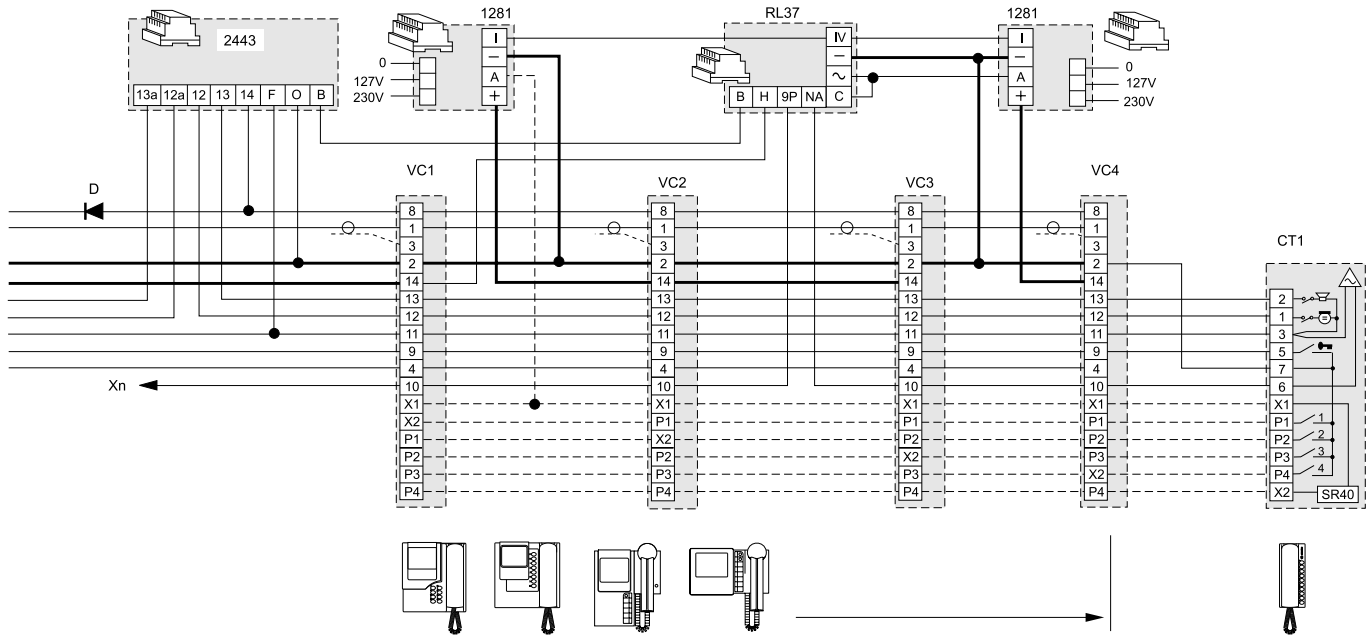
D = 100V-1A diode (type 1N4007)
 Read notes 1ac, 2, 3, 4 and 5 of page 124.

VC = PT5160 + WB5100 PT5660 + WB5600 + 1283 PT5860 + WB5600 PV2160 + WB2100 PV1260 + WB1200 + 1283	or, if intercommunicating PT5160 + WB5160 PT5660 + WB5660 + 1283 PT5860 + WB5660 PV2160 + WB2160 PV1260 + WB1260 + 1283	CT = PT510 PV100 924 or, if intercommunicating PT520 + SR40 + PT501
--	---	---



MULTI-WAY additional diagrams

4 VIDEO INTERCOMS AND 1 INTERCOM WITH INTERCOMMUNICATING SERVICE



D = 100V-1A diode (type 1N4007)

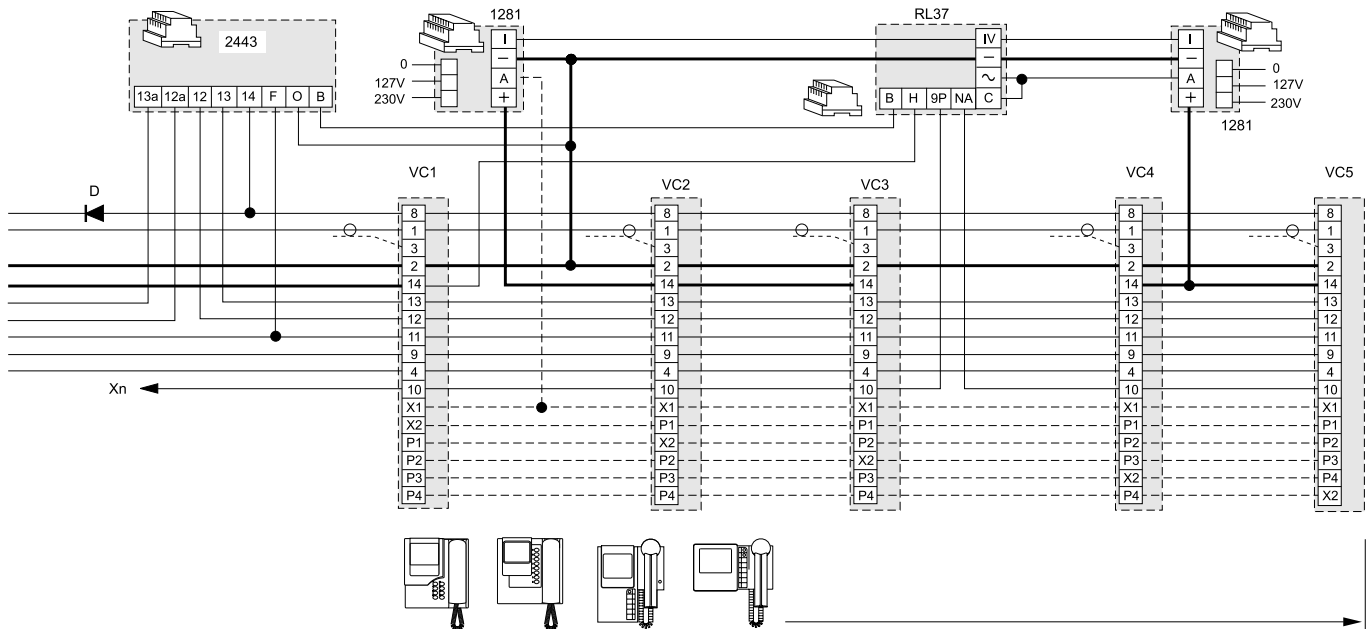
Read notes 1ac, 2, 3, 4 and 5 of page 124.

VC =
 PT5160 + WB5100
 PT5660 + WB5600 + 1283
 PT5860 + WB5600
 PV2160 + WB2100
 PV1260 + WB1200 + 1283

or, if intercommunicating
 PT5160 + WB5160
 PT5660 + WB5660 + 1283
 PT5860 + WB5660
 PV2160 + WB2160
 PV1260 + WB1260 + 1283

CT =
 PT510
 PV100
 924
 or, if intercommunicating
 PT520 + SR40 + PT501

5 INTERCOMMUNICATING VIDEO INTERCOMS



D = 100V-1A diode (type 1N4007)

Read notes 1ac, 3, 4 and 5 of page 124.

VC =
 PT5160 + WB5100
 PT5660 + WB5600 + 1283
 PT5860 + WB5600
 PV2160 + WB2100
 PV1260 + WB1200 + 1283

or, if intercommunicating
 PT5160 + WB5160
 PT5660 + WB5660 + 1283
 PT5860 + WB5660
 PV2160 + WB2160
 PV1260 + WB1260 + 1283

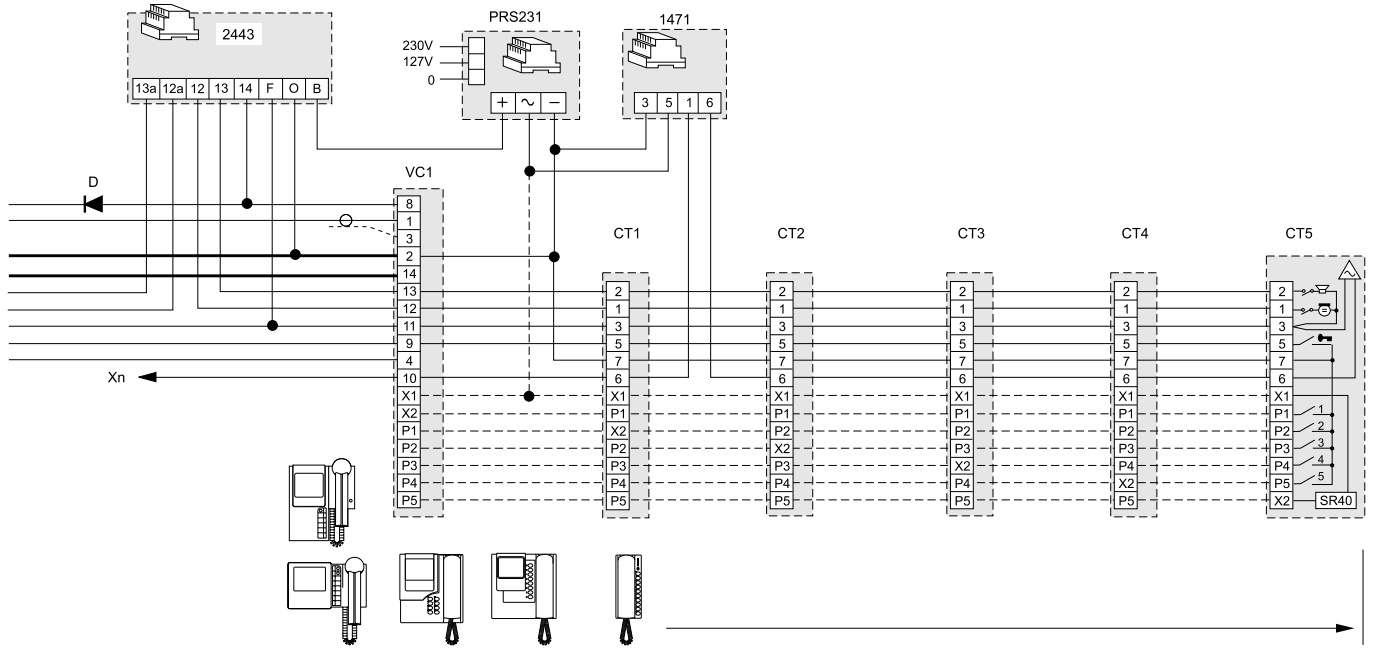


coax



MULTI-WAY additional diagrams

1 VIDEO INTERCOM AND 5 INTERCOMS WITH INTERCOMMUNICATING SERVICE



D = 100V-1A diode (type 1N4007)

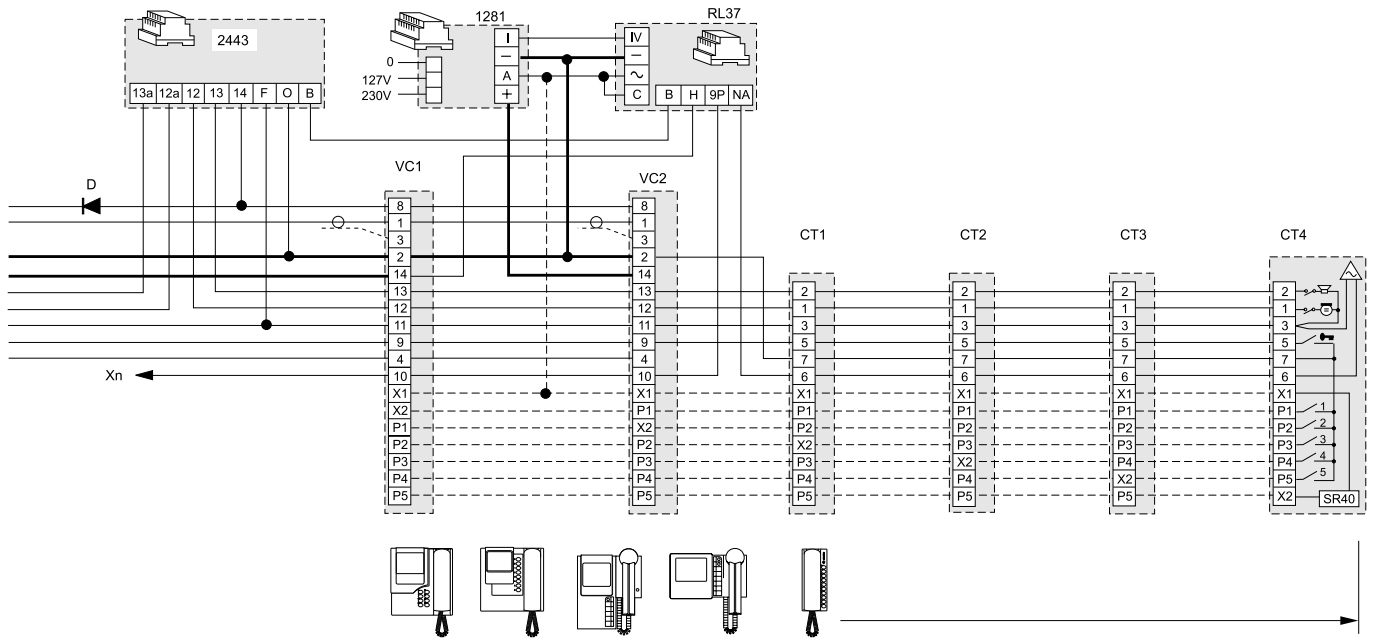
Read notes 1 ac, 2, 4 and 5 of page 124.

VC =
 PT5160 + WB5100
 PT5660 + WB5600 + 1283
 PT5860 + WB5600
 PV2160 + WB2100
 PV1260 + WB1200 + 1283

or, if intercommunicating
 PT5160 + WB5160
 PT5660 + WB5660 + 1283
 PT5860 + WB5660
 PV2160 + WB2160
 PV1260 + WB1260 + 1283

CT =
 PT510
 PV100
 924
 or, if intercommunicating
 PT520 + SR40 + PT501

2 VIDEO INTERCOMS AND 4 INTERCOMS WITH INTERCOMMUNICATING SERVICE



D = 100V-1A diode (type 1N4007)

Read notes 1 ac, 2, 3, 4 and 5 of page 124.

VC =
 PT5160 + WB5100
 PT5660 + WB5600 + 1283
 PT5860 + WB5600
 PV2160 + WB2100
 PV1260 + WB1200 + 1283

or, if intercommunicating
 PT5160 + WB5160
 PT5660 + WB5660 + 1283
 PT5860 + WB5660
 PV2160 + WB2160
 PV1260 + WB1260 + 1283

CT =
 PT510
 PV100
 924
 or, if intercommunicating
 PT520 + SR40 + PT501

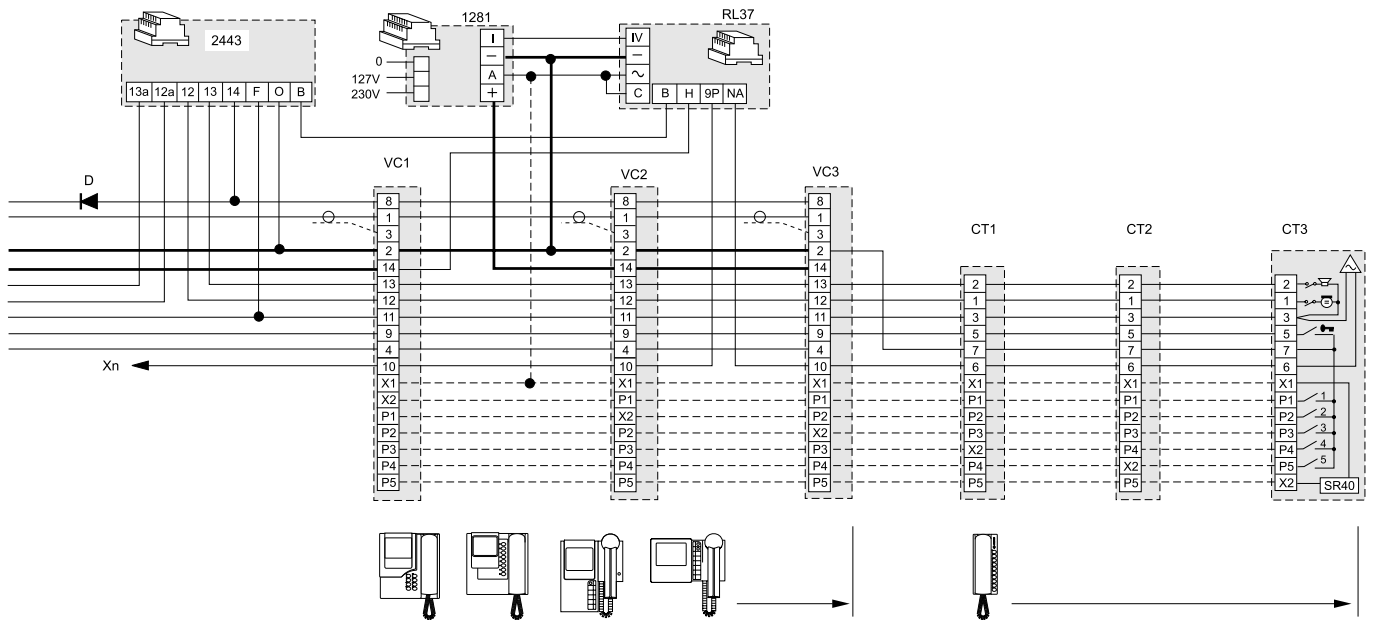


coax



MULTI-WAY additional diagrams

3 VIDEO INTERCOMS AND 3 INTERCOMS WITH INTERCOMMUNICATING SERVICE



D = 100V-1A diode (type 1N4007)

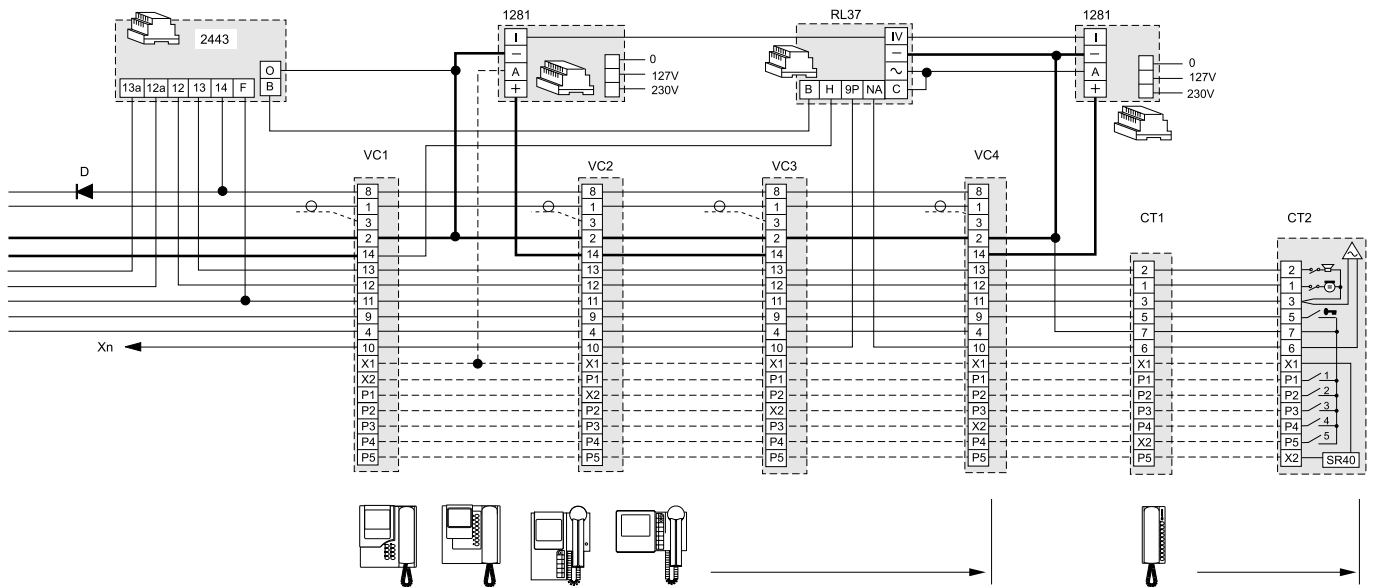
Read notes 1 ac, 2, 3, 4 and 5 of page 124.

VC =
 PT5160 + WB5100
 PT5660 + WB5600 + 1283
 PT5860 + WB5600
 PV2160 + WB2100
 PV1260 + WB1200 + 1283

or, if intercommunicating
 PT5160 + WB5160
 PT5660 + WB5660 + 1283
 PT5860 + WB5660
 PV2160 + WB2160
 PV1260 + WB1260 + 1283

CT =
 PT510
 PV100
 924
 or, if intercommunicating
 PT520 + SR40 + PT501

4 VIDEO INTERCOMS AND 2 INTERCOMS WITH INTERCOMMUNICATING SERVICE



D = 100V-1A diode (type 1N4007)

Read notes 1 ac, 2, 3, 4 and 5 of page 124.

VC =
 PT5160 + WB5100
 PT5660 + WB5600 + 1283
 PT5860 + WB5600
 PV2160 + WB2100
 PV1260 + WB1200 + 1283

or, if intercommunicating
 PT5160 + WB5160
 PT5660 + WB5660 + 1283
 PT5860 + WB5660
 PV2160 + WB2160
 PV1260 + WB1260 + 1283

CT =
 PT510
 PV100
 924
 or, if intercommunicating
 PT520 + SR40 + PT501

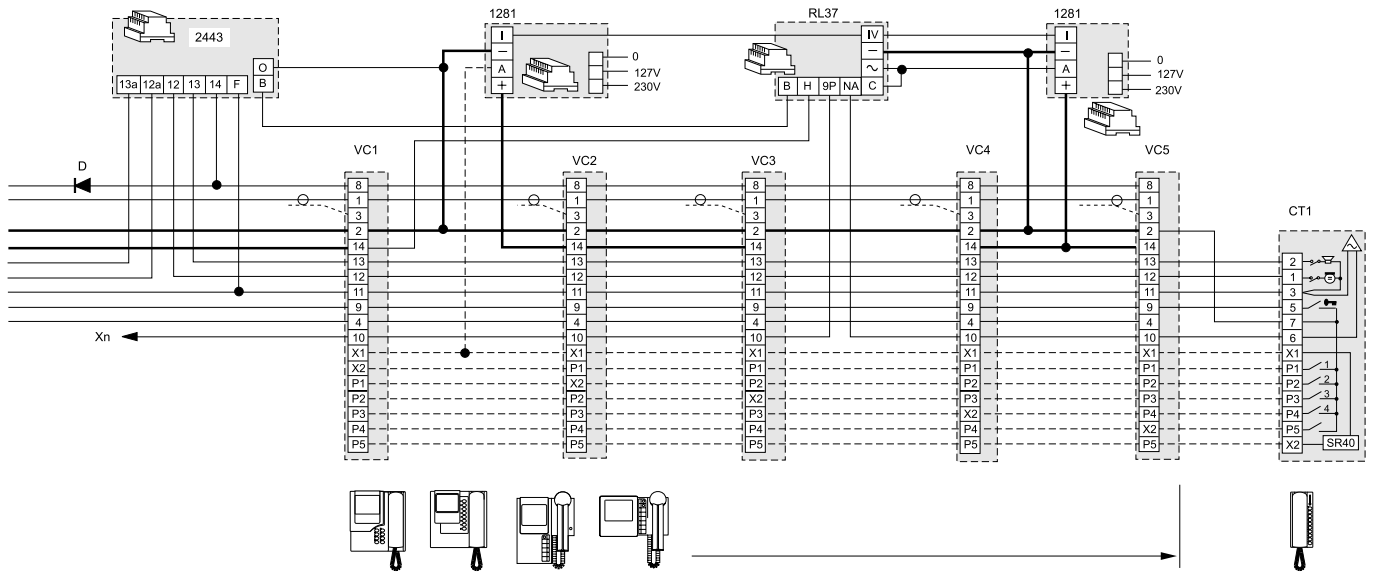


coax



MULTI-WAY additional diagrams

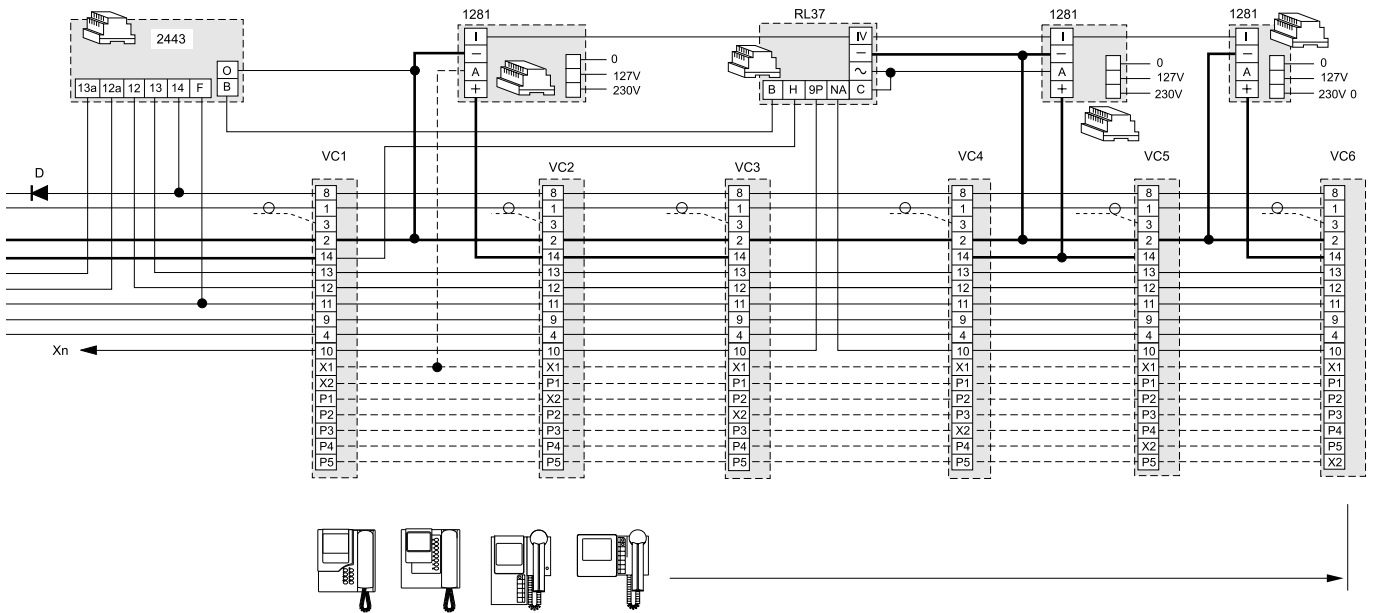
5 VIDEO INTERCOMS AND 1 INTERCOM WITH INTERCOMMUNICATING SERVICE



D = 100V-1A diode (type 1N4007)
 Read notes 1ac, 2, 3, 4 and 5 of page 124.

VC =	or, if intercommunicating	CT =
PT5160 + WB5100	PT5160 + WB5160	PT510
PT5660 + WB5600 + 1283	PT5660 + WB5660 + 1283	PV100
PT5860 + WB5600	PT5860 + WB5660	924
PV2160 + WB2100	PV2160 + WB2160	or, if intercommunicating
PV1260 + WB1200 + 1283	PV1260 + WB1260 + 1283	PT520 + SR40 + PT501

6 INTERCOMMUNICATING VIDEO INTERCOMS



D = 100V-1A diode (type 1N4007)
 Read notes 1ac, 2, 3, 4 and 5 of page 124.

VC =	or, if intercommunicating
PT5160 + WB5100	PT5160 + WB5160
PT5660 + WB5600 + 1283	PT5660 + WB5660 + 1283
PT5860 + WB5600	PT5860 + WB5660
PV2160 + WB2100	PV2160 + WB2160
PV1260 + WB1200 + 1283	PV1260 + WB1260 + 1283

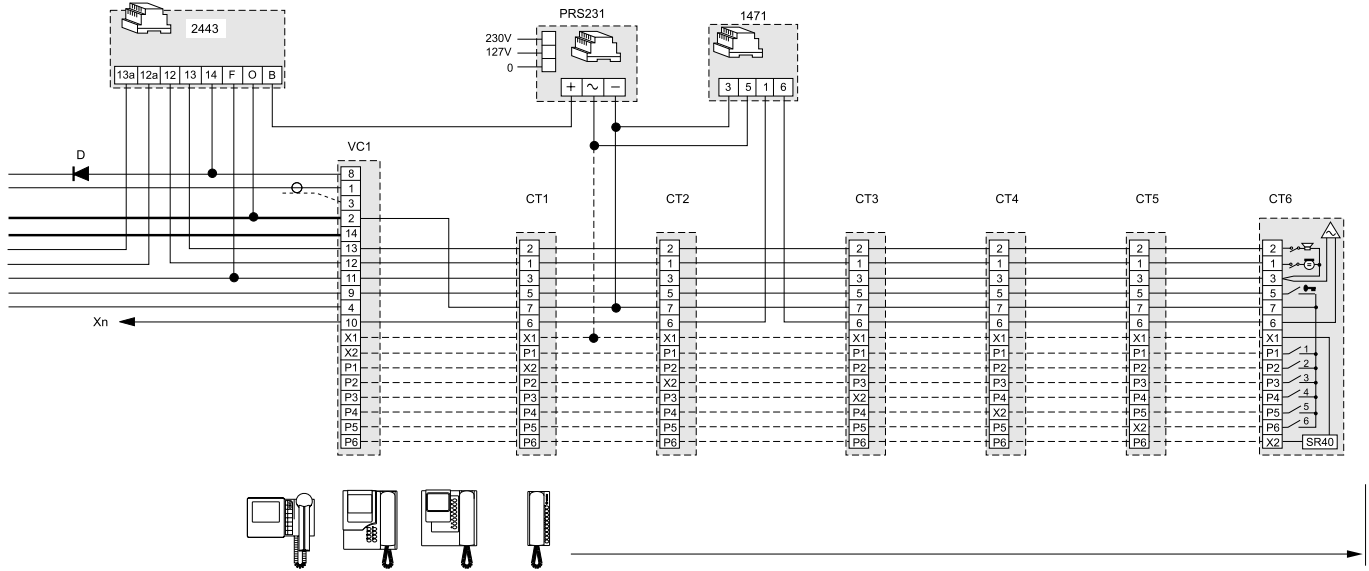


coax



MULTI-WAY additional diagrams

1 VIDEO INTERCOM AND 6 INTERCOMS WITH INTERCOMMUNICATING SERVICE



VC =
PT5160 + WB5100
PT5660 + WB5600 + 1283
PT5860 + WB5600
PV2160 + WB2100
PV1260 + WB1200 + 1283

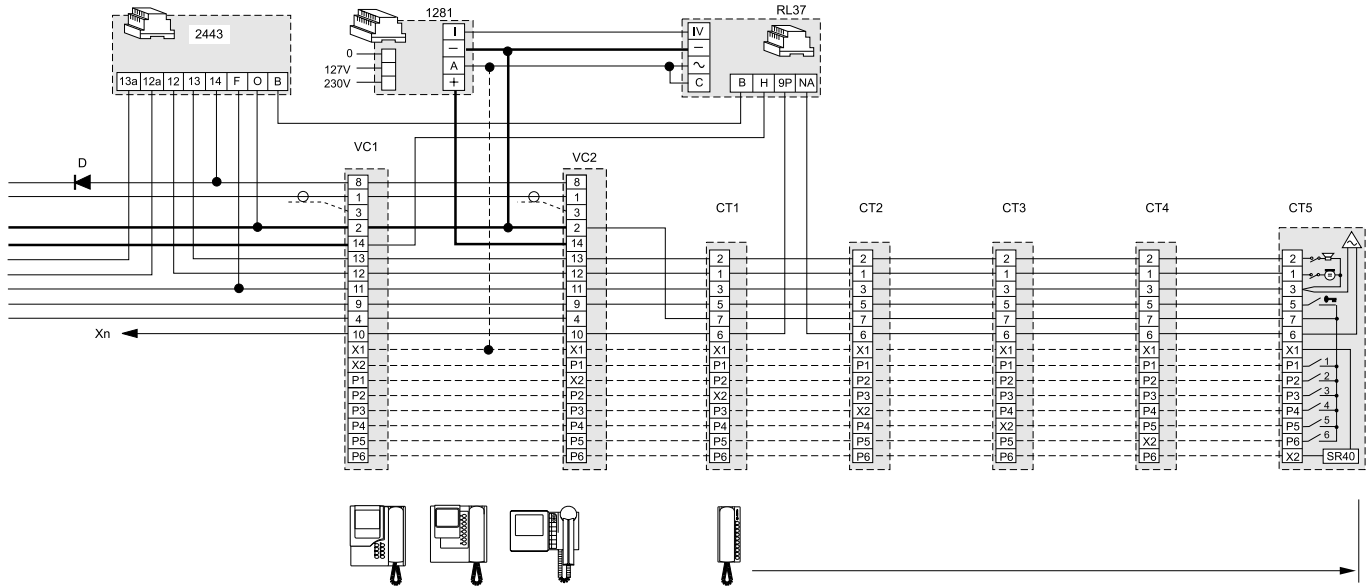
or, if intercommunicating
PT5160 + WB5160
PT5660 + WB5660 + 1283
PT5860 + WB5660
PV2160 + WB2160
PV1260 + WB1260 + 1283

CT =
PT510
PV100
924
 or, if intercommunicating
PT520 + SR40 + PT501

D = 100V-1A diode (type 1N4007)

Read notes 1ac, 2 and 5 of page 124.

2 VIDEO INTERCOMS AND 5 INTERCOMS WITH INTERCOMMUNICATING SERVICE



VC =
PT5160 + WB5100
PT5660 + WB5600 + 1283
PT5860 + WB5600
PV2160 + WB2100
PV1260 + WB1200 + 1283

or, if intercommunicating
PT5160 + WB5160
PT5660 + WB5660 + 1283
PT5860 + WB5660
PV2160 + WB2160
PV1260 + WB1260 + 1283

CT =
PT510
PV100
924
 or, if intercommunicating
PT520 + SR40 + PT501

D = 100V-1A diode (type 1N4007)

Read notes 1ac, 2, 3 and 5 of page 124.

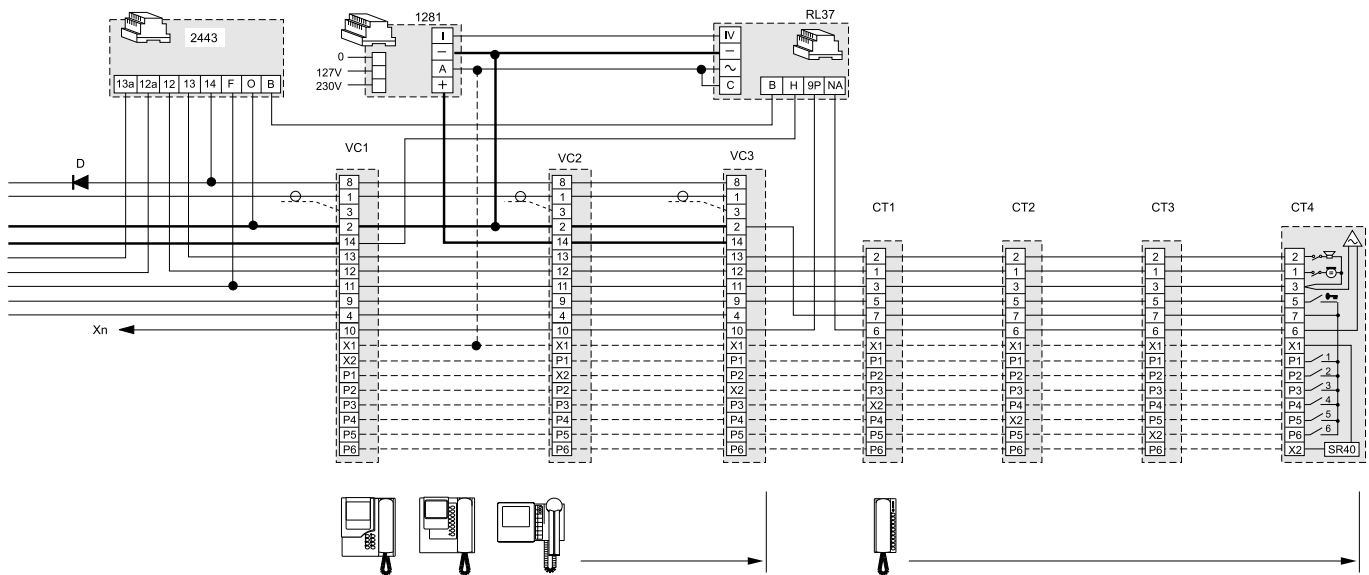


coax



MULTI-WAY additional diagrams

3 VIDEO INTERCOMS AND 4 INTERCOMS WITH INTERCOMMUNICATING SERVICE



D = 100V-1A diode (type 1N4007)

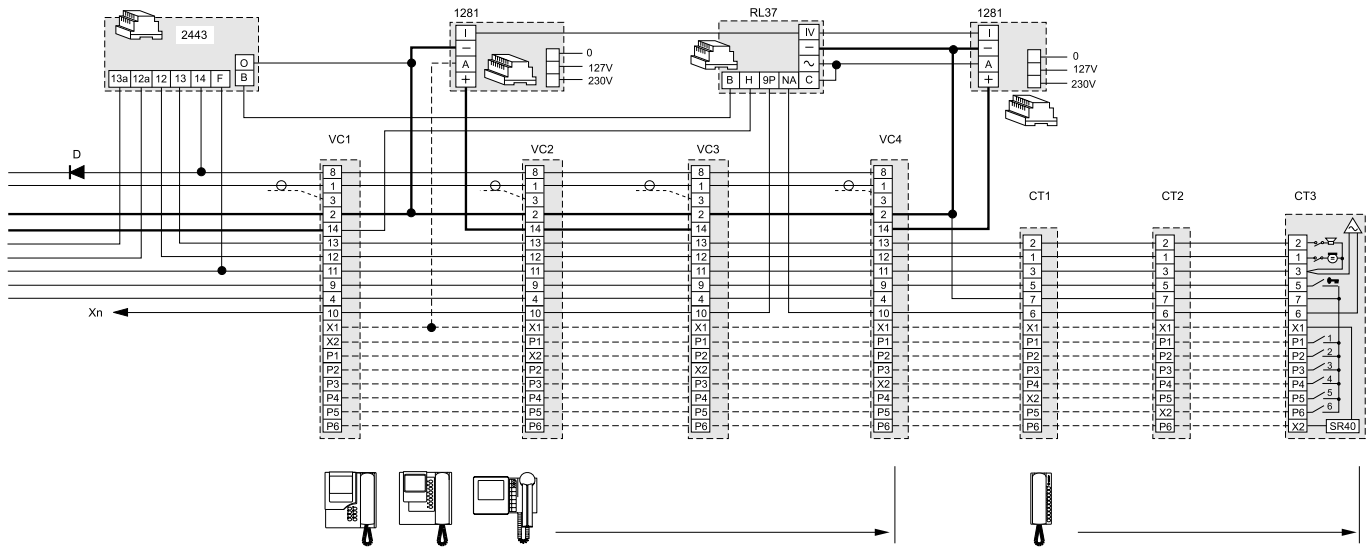
Read notes 1ac, 2, 3 and 5 of page 124.

VC =
 PT5160 + WB5100
 PT5660 + WB5600 + 1283
 PT5860 + WB5600
 PV2160 + WB2100
 PV1260 + WB1200 + 1283

or, if intercommunicating
 PT5160 + WB5160
 PT5660 + WB5660 + 1283
 PT5860 + WB5660
 PV2160 + WB2160
 PV1260 + WB1260 + 1283

CT =
 PT510
 PV100
 924
 or, if intercommunicating
 PT520 + SR40 + PT501

4 VIDEO INTERCOMS AND 3 INTERCOMS WITH INTERCOMMUNICATING SERVICE



D = 100V-1A diode (type 1N4007)

Read notes 1ac, 2, 3 and 5 of page 124.

VC =
 PT5160 + WB5100
 PT5660 + WB5600 + 1283
 PT5860 + WB5600
 PV2160 + WB2100
 PV1260 + WB1200 + 1283

or, if intercommunicating
 PT5160 + WB5160
 PT5660 + WB5660 + 1283
 PT5860 + WB5660
 PV2160 + WB2160
 PV1260 + WB1260 + 1283

CT =
 PT510
 PV100
 924
 or, if intercommunicating
 PT520 + SR40 + PT501

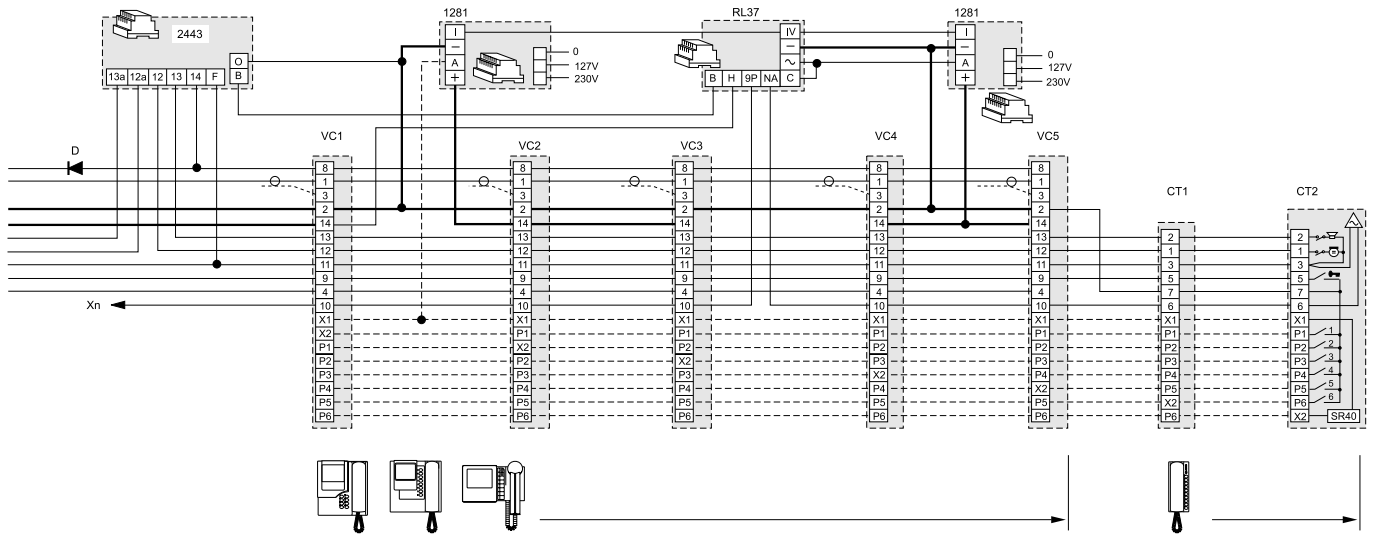


coax



MULTI-WAY additional diagrams

5 VIDEO INTERCOMS AND 2 INTERCOMS WITH INTERCOMMUNICATING SERVICE



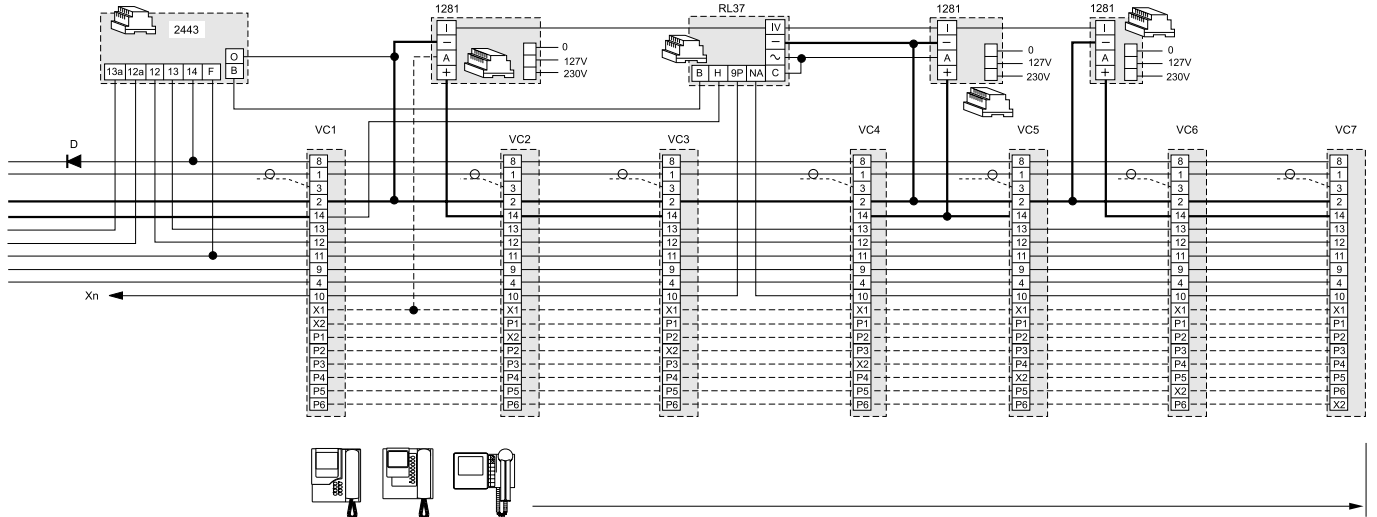
VC =
PT5160 + WB5100
PT5660 + WB5600 + 1283
PT5860 + WB5600
PV2160 + WB2100
PV1260 + WB1200 + 1283

or, if intercommunicating
PT5160 + WB5160
PT5660 + WB5660 + 1283
PT5860 + WB5660
PV2160 + WB2160
PV1260 + WB1260 + 1283

CT =
PT510
PV100
924
or, if intercommunicating
PT520 + SR40 + PT501

D = 100V-1A diode (type 1N4007)
 Read notes 1 ac, 2, 3 and 5 of page 124.

7 INTERCOMMUNICATING VIDEO INTERCOMS



VC =
PT5160 + WB5100
PT5660 + WB5600 + 1283
PT5860 + WB5600
PV2160 + WB2100
PV1260 + WB1200 + 1283

or, if intercommunicating
PT5160 + WB5160
PT5660 + WB5660 + 1283
PT5860 + WB5660
PV2160 + WB2160
PV1260 + WB1260 + 1283

D = 100V-1A diode (type 1N4007)
 Read notes 1 ac, 3 and 5 of page 124.



INDEX	Page
Internal stations	150
- Telephone	150
- Studio series monitors	154
- Studio series video and intercom-telephone set	157
- Video memory	160
Intercom-telephone interface	162
Telephone protections	163
PABX	164
Installation instructions	170
- Intercom-telephone systems	170
- Video intercom-telephone systems	170
- Video signal distribution with twisted pair (balanced line)	171
- Conversion of video signal from coaxial cable to balanced line	172
Basic installation diagrams	173
- Si 111T/1 One way intercom-telephone system with telephone interface and connection to one external door station	173
- Si 111T/2 One-way intercom-telephone intercommunicating system with PABX and connection to one external door station	173
- Si 11MT/1 Mixed intercom/telephone system connected to one external door station	175
- Si 311T/1 One-way video intercom-telephone system with telephone interface and connection to one external door station (<i>with coaxial cable</i>)	176
- Si 311T/2 One-way video intercom-telephone system with PABX and connection to one external door station (<i>with coaxial cable</i>)	176
- Si 311T/3 One-way video intercom-telephone system with telephone interface and connection to one external door station (<i>with twisted pair</i>)	177
- Si 311T/7 One-way video intercom-telephone system with PABX and connection to one external door station (<i>with twisted pair</i>)	177
- Si 31MT/1 Mixed video intercom/video intercom-telephone system connected to one external door station (<i>with coaxial cable</i>)	179
- Si 31MT/2 Video intercom-telephone system connected to one external door station (<i>with twisted pair</i>)	181
- Si 32MT/1 Video intercom-telephone system connected to two external door stations (<i>with twisted pair</i>)	183
- Si 312T/1 Two-way video intercom-telephone intercommunicating system with PABX connected to one external door station (<i>with coaxial cable</i>)	185
- Si 312T/2 Two-way video intercom-telephone intercommunicating system with PABX connected to one external door station (<i>with twisted pair</i>)	187
Video intercom-telephone additional diagrams	188
- for video intercom system with coaxial cable	188
- for video intercom system with twisted pair	190
Product list	192

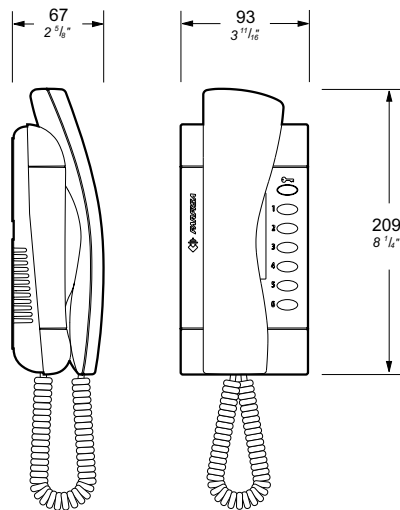
The main intercom and video intercom functions can also be provided with an ordinary telephone set by installing a suitable interface in the intercom system.

For better intercom/telephone integration it is advisable to use the dedicated Farfisa telephone art. **ST740W**. In addition to the normal telephone functions, this telephone has extra buttons for intuitive and easy use of intercom functions.



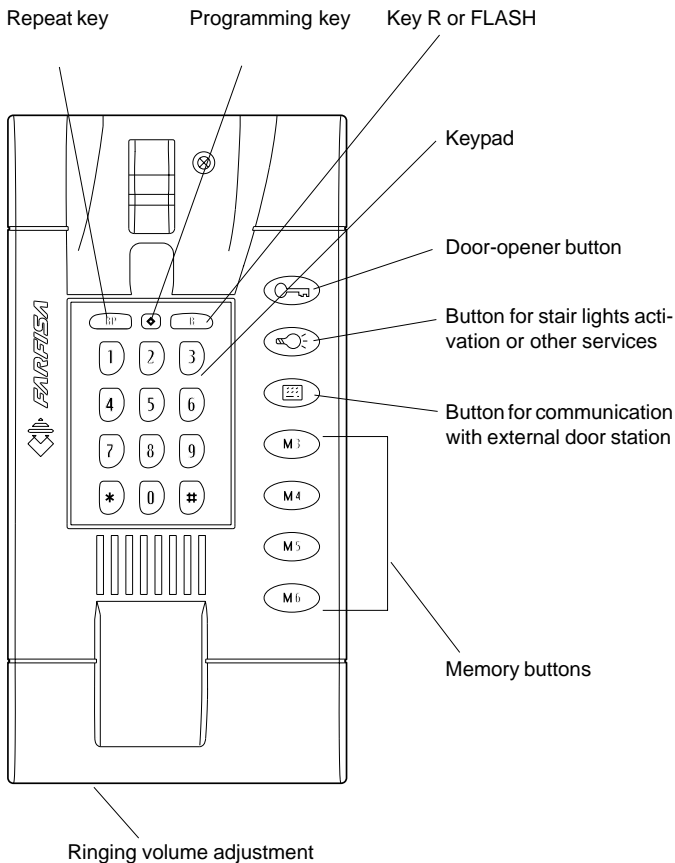
INTERNAL STATIONS

TELEPHONE

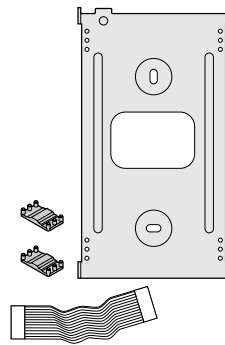


ST740W. White telephone for intercom or video intercom-telephone systems. Complete with spiral cord, electronic microphone, 15 buttons for telephone functions, 7 buttons for intercom functions and direct memories. The buttons dedicated to intercom functions can operate only by means of a suitable telephone interface (FT11D) or PABX (FT105P or FT208P).
The telephone permits DTMF dialling only.
Wall mounting with bracket **WB700** or table version with adapter **TA700** and bracket **WB700**.

Description



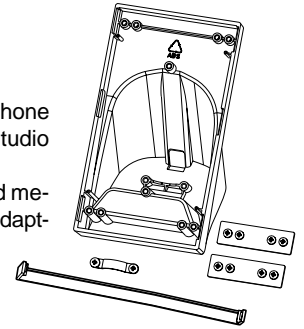
FIXING ELEMENTS



WB700. Bracket for fixing on wall or to table adapter (with art. **TA700**) the **ST740** telephone and/or accessories of the Studio series. Complete with plastic templates for the correct alignment with bracket **WB7100** and/or other brackets **WB700**.

Note
The flat cable supplied with the bracket cannot be used in telephone systems.

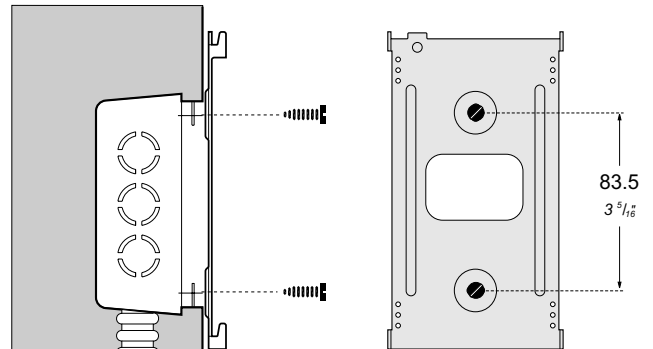
TA700W. White table adapter for telephone **ST740W** and/or accessories of the Studio series. Complete with cable clamp, plastic and metallic frames for the correct alignment to adapters **TA7100** and/or additional **TA700**.



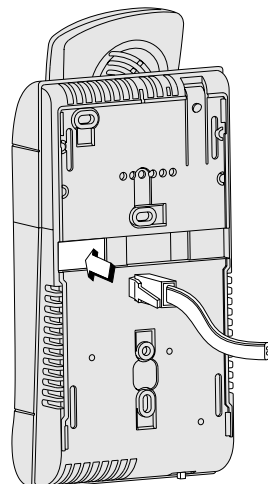
INSTALLATION

The telephone can be installed on the wall or on the table with dedicated accessories.

Wall version



Fix the bracket **WB700** to a back box or to the wall with 2 expansion plugs.

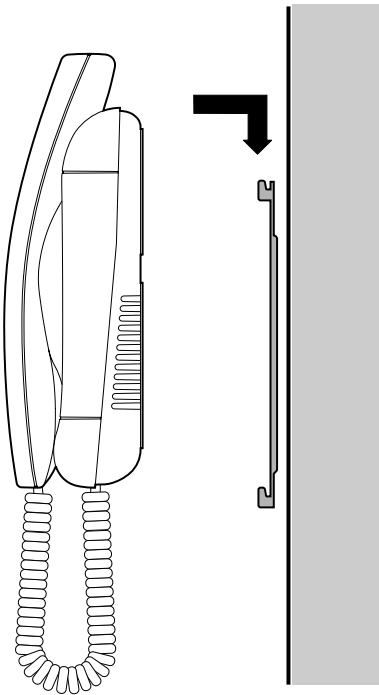


Connect the telephone cable supplied with the product to the plug on the back of the telephone.

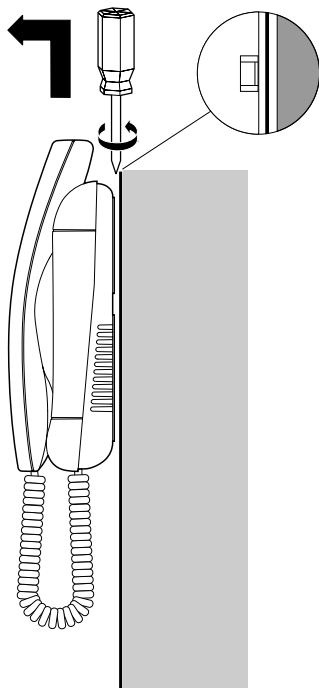


INTERNAL STATIONS

Connect the 2 wires of the cable to terminals DER41÷45/48 of the **PABX (FT105P or FT208P)** or L+ and L- of the telephone interface **FT11D**.

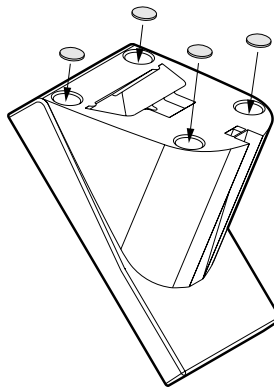


Hook the telephone to the bracket.

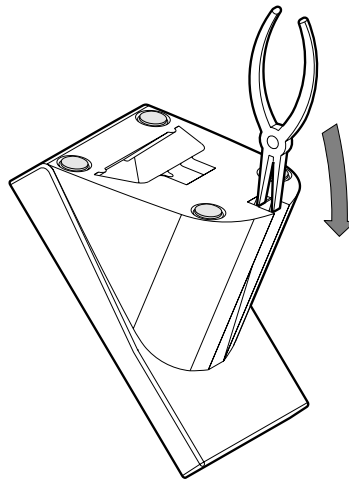


Unhook the telephone from the bracket.

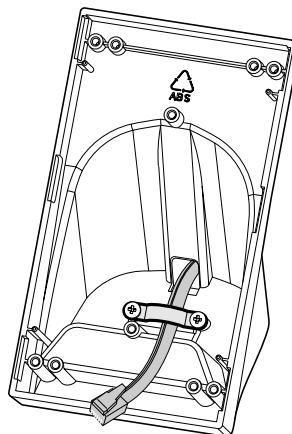
Table version



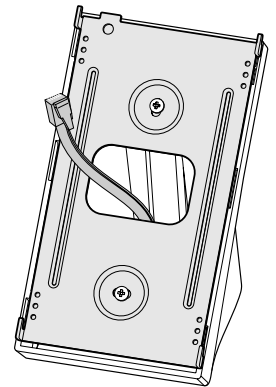
Apply the 4 anti-slip rubber pads in their housings under the table adapter base.



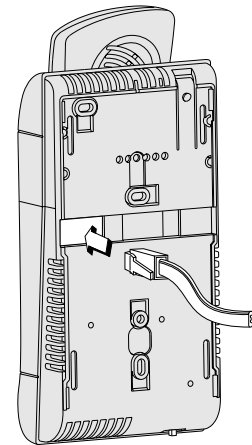
Make the hole for the telephone cable.



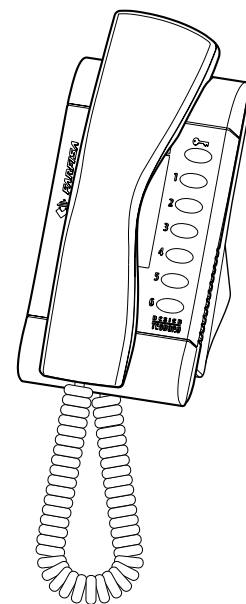
Block the telephone cable to the table adapter with the cable clamp.



Fix the **WB700** bracket to the table adapter with the 2 screws supplied.



Connect the telephone cable to the plug on the back of the telephone.



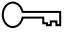


Hook the telephone to the adapter.



PROGRAMMING

The **ST740W** has been developed for exclusive use with **Farfisa** PABX's or telephone interface. It is programmed for use with **FT105P** and **FT208P** PABX by default. The default setting can be modified as described below in this manual.

Default setting

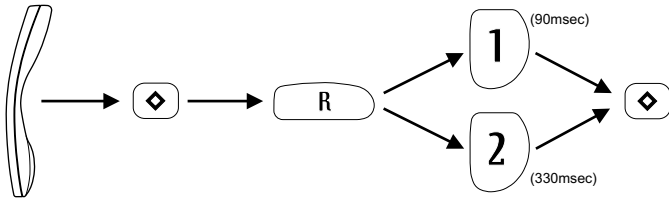
Button	Code	Function
	6R1	activation of relay 1 of FT105P and FT208P PABX
	6R2	activation of relay 2 of FT105P and FT208P PABX
	6	audio connection with external door station connected to FT105P and FT208P PABX
R	1	timing of R key equal to 90 msec

The ringing volume is set at the maximum value.

How to program the timing of R (FLASH) key

To change programming:

- pick-up the handset
- press **◇**; no tone is heard on the loudspeaker
- press **R**
- press **1** or **2** (90 or 330msec, respectively)
- press **◇**; if programming is correct, you hear the actual tone of the PABX. If not, you hear a continuous sharp tone to indicate incorrect programming.



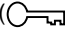


Note: in case of error replace the handset and repeat the programming procedure.

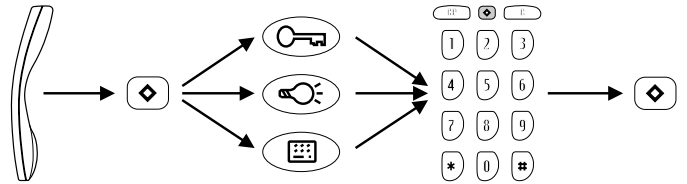
How to program the buttons , ,

The buttons can change their function by changing programming as desired. They can be used to:

- enable PABX short numbers
- enable audio and door opening in installations with FT11D interface
- change operation mode of relay (i.e. for two-way installations with differentiated door locks, activation of relays 3 and 4, etc.). See the PABX instructions on pages 168 and 169.

To change programming:

- pick-up the handset
- press **◇**; no tone is heard on the loudspeaker
- press the button **you want to program** (,  or )
- dial the **new code** on the keypad (see table)
- press **◇**; if programming is correct, you hear the actual tone of PABX. If not, you hear a continuous sharp tone to indicate incorrect programming.



Note: in case of error replace the handset and repeat the programming procedure.

Table of programmable functions for the buttons , ,

Code	Function
6R1	activation of relay 1 of ES60 or ES65 intercom interface with FT105P and FT208P PABX's
6R2	activation of relay 2 of ES60 or ES65 intercom interface with FT105P and FT208P PABX's
6R3	simultaneous activation of relays 1 and 2 of ES60 or ES65 intercom interface with FT105P and FT208P PABX's
7832	activation of relay 3 of ES65 intercom interface with FT105P and FT208P PABX's
7842	activation of relay 4 of ES65 intercom interface with FT105P and FT208P PABX's
6	audio connection with external door station with ES60 or ES65 intercom interface and FT105P or FT208P PABX's
RRRR	door opening with FT11D telephone interface
RR	audio connection with external door station with FT11D telephone interface

Apart from the codes in the table, you can program numbers or functions (*, #, R, RP) for a **max. of 6 digits** (short numbers, emergency numbers, numbers of special services offered by the telephone provider, etc.). The **RP** key inserts a 3-sec. pause in the numerical sequence to be programmed.

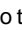



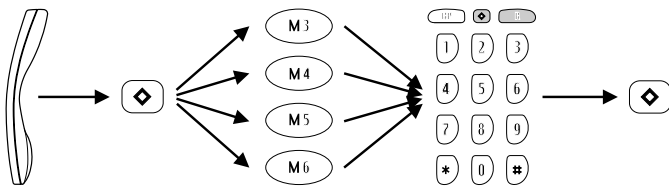
PROGRAMMING

How to program the M3, M4, M5 and M6 memory buttons

You can use these buttons to program frequently used numbers.

To program the buttons:

- pick-up the handset
- press ; no tone is heard on the loudspeaker
- press the button **you want to program (M3, M4, M5 or M6)**
- dial the **number** on the keypad (**max. 24 digits**)
- press ; if programming is correct, you hear the actual tone of PABX. If not, you hear a continuous sharp tone to indicate incorrect programming.



Note: in case of error replace the handset and repeat the programming procedure.

Important:

- if the telephone is connected to the **FT105P** or **FT208P** PABX's, you must dial **0, 81** or **82** before telephone number of the user to access the external line (i.e. **810548975615**); in case of international calls, it is recommended to insert a **pause** (by pressing **RP**) between the international code and the user number (i.e. **81001RP67859063**).
- if the telephone is connected to the **FT11D** interface you can program the telephone number directly; in case of international numbers it is recommended to insert a pause (i.e. **001RP678599063**).

OPERATION

Answer a call

- Pick-up the handset.
- Replace the handset after conversation.

Make a call

- Pick-up the handset.
- Dial the number.
- Replace the handset after conversation.

Note. If the telephone is connected to a Farfisa PABX's, you must dial **0, 81** or **82** to access the external line.

Redial of the last call number dialled




- Pick-up the handset.
- Press **RP**.
- Replace the handset after conversation.

Note. The key **RP** redials the last call number dialled only if it is the first button you press after picking-up the handset. If not, this key inserts a 3-sec. pause during dialling.

Intercom function buttons

These functions can be used only if an intercom installation is connected to the PABX or telephone interface.

- Pick-up the handset.
- Press:

-  to operate the electric door lock
-  to activate stair light or other service
-  to enable intercom conversation

- Replace the handset.

Note. When using the **FT11D** telephone interface you must program properly the buttons and for correct operations wait for the public exchanger tone before using them.

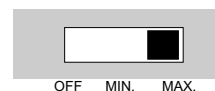
Memory buttons

These buttons need to be programmed.

- Pick-up the handset.
- Press the button associated to the telephone number you want to dial (**M3, M4, M5 or M6**).
- Replace the handset after conversation.

Ringling volume adjustment

Move the switch located on the bottom of the telephone on the desired position (OFF, min. and max.).

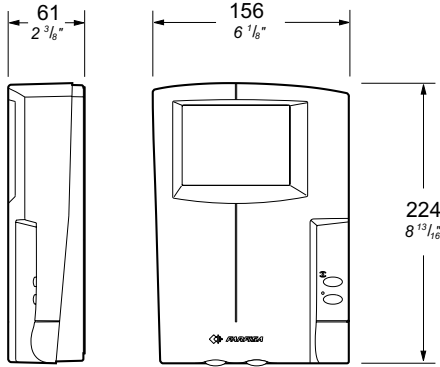


INTERNAL STATIONS

VIDEO INTERCOM-TELEPHONE SET

To realise a video intercom-telephone system you must combine the **ST740** telephone with bracket **WB700** to a monitor **ST7100** (or **ST7100C**) and bracket **WB7100**.

MONITORS



ST7100W. White monitor with flat CRT and 2 buttons. One button for control switch ON and one button for supplementary services. Maximum acceptable current of buttons is 0.3A. For higher currents use relay art. **1471** or **1472**. The monitor can be surface mounted on the wall with bracket art. **WB7100**.

Technical data

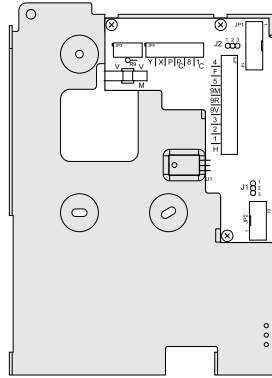
Power supply	18÷24Vdc
Operating current	0.35A
Monitor	4" FLAT CRT
TV standard	CCIR-625 lines
Horizontal frequency	15625Hz
Vertical frequency	50Hz
Bandwidth	>5MHz
Video signal on 75Ω	0.8÷1.5Vpp
Starting up time	2÷4 sec.
Operating temperature	0°÷+50°C
Max. permissible humidity	90%RH

ST 7100CW. Version with colour LCD of monitor **ST7100W**.

Technical data

Power supply	18÷24Vdc
Operating current	0.4A
Monitor	4" LCD
TV standard	PAL
Horizontal frequency	15625Hz
Vertical frequency	50Hz
Bandwidth	>5MHz
Video signal on 75Ω	0.8÷1.5Vpp
Starting up time	1 sec.
Operating temperature	0°÷+50°C
Max. permissible humidity	90%RH

FIXING ELEMENTS for Studio series.



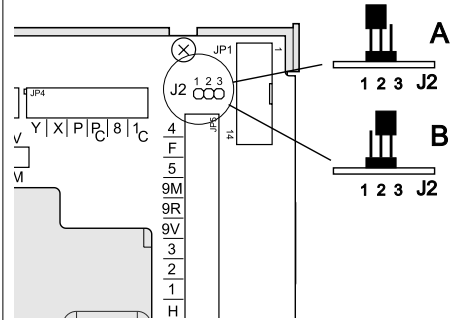
WB 7100. The bracket allows for wall-fixing of monitor **ST7100**. Complete with terminal board for connection to the system and connectors for connection to the monitor. One or more brackets **WB 700** can be used to expand the system.

Terminals

- V** Video signal input 0.8÷1.5Vpp
- M** Video ground
- F** General ground
- H** Positive power supply input 18÷24Vdc
- X** Negative balanced video signal input
- Y** Positive balanced video signal input
- 1, 2, 3, 5** Not used.
- 4** Control switching ON – button
- 8** Positive power supply output for video distributors 12Vdc
- 9M** Call input from external door station (250mA)
- 9R** Intercommunicating or floor-call input
- 9V** Activation input for FN4000 digital systems (ground command)
- 1C** Common of button for control switching ON
- PC** Common of service button
- P** Service button (symbol)

Choosing the video connection with coaxial cable or twisted pair

With monitor **ST7100** the video connection can be made either with 75 Ohm coaxial cable or twisted pair. The choice between the two systems depends on the correct selection of video distributor and camera. The number of wires and possible installations does not change. **Do not forget to position jumper J2 correctly and use the proper input terminals of bracket WB7100.**

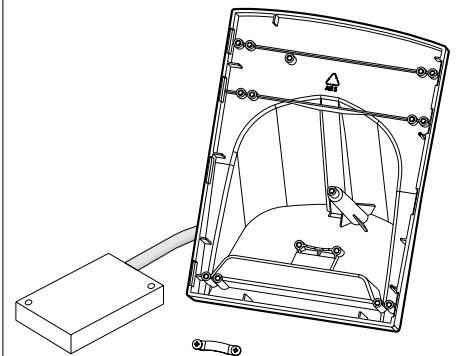


A = Video connection with coaxial cable at terminals **V** and **M**

B = Video connection with twisted pair at terminals **X** and **Y**

Note

The bracket is also equipped with connector **J1**. This connector shall not be used in video intercom-telephone systems.



TA7100W. White Table adapter for **ST7100W** and **ST7100CW** monitors. Complete with cable clamp, junction box and 2.4m connection cable with 20 wires.



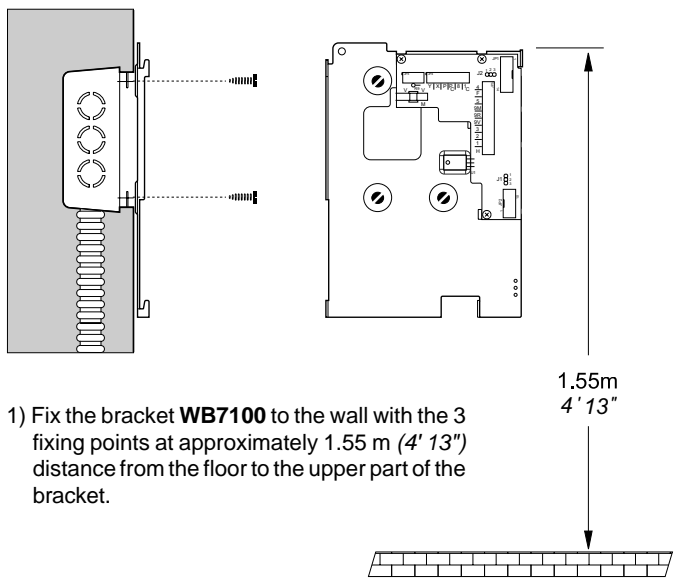
INTERNAL STATIONS

The video intercom-telephone system can be also realized by separating the intercom/telephone function from the video function. For example: install the monitor on the wall and use a standard or cordless telephone to answer to intercom/telephone calls.

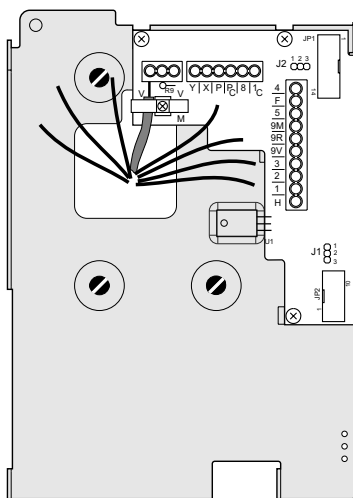
MONITOR ONLY

Installation steps for monitor **ST7100** or **ST 7100C** in wall or table version.

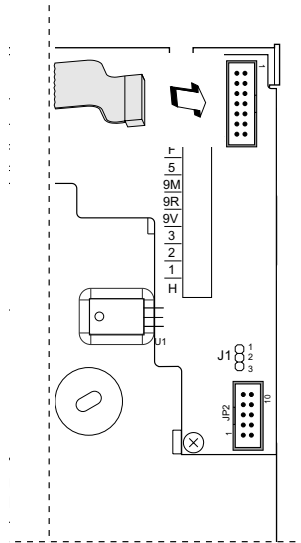
Wall version



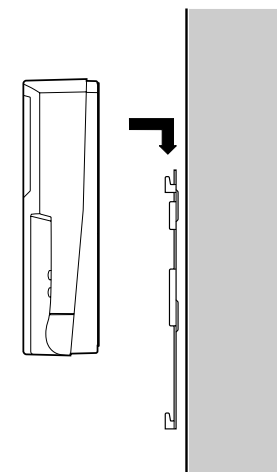
1) Fix the bracket **WB7100** to the wall with the 3 fixing points at approximately 1.55 m (4' 13") distance from the floor to the upper part of the bracket.



2) Make the connections on the bracket terminal board.



3) Connect the monitor cable to the bracket.

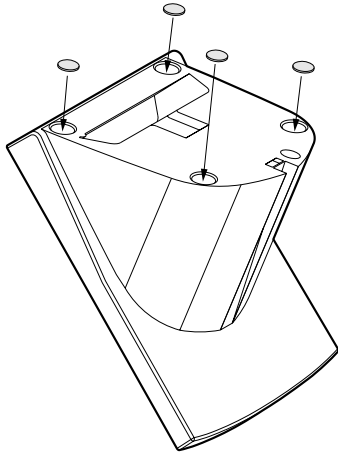


4) Hook the monitor to the bracket.

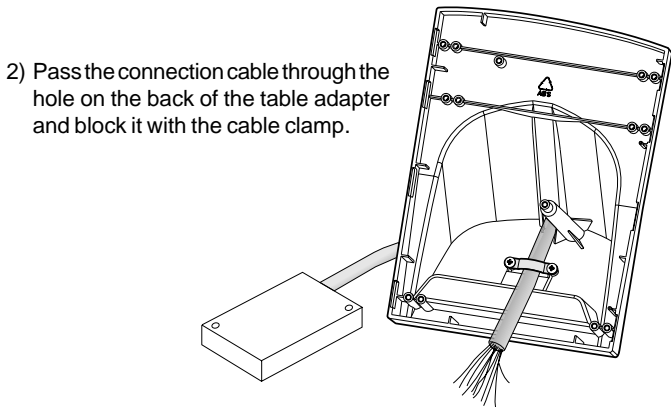


INTERNAL STATIONS

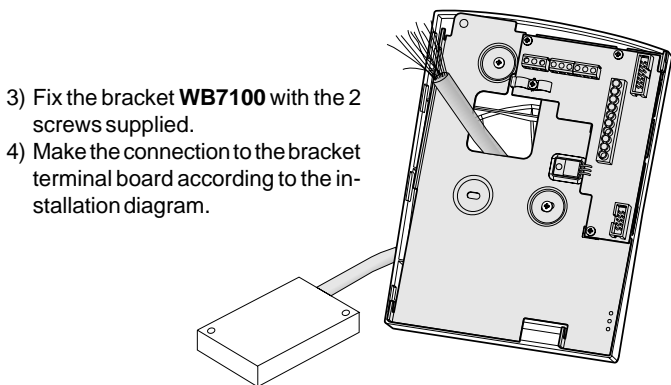
Table version



1) Apply the 4 anti-slip rubber pads in their housing under the table adapter base.



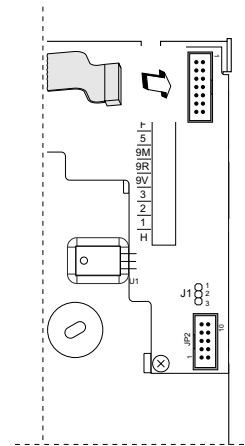
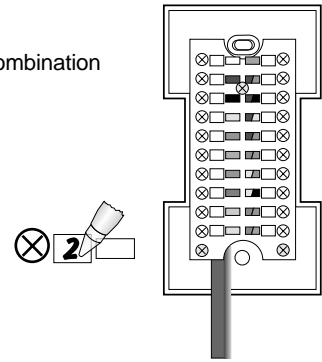
2) Pass the connection cable through the hole on the back of the table adapter and block it with the cable clamp.



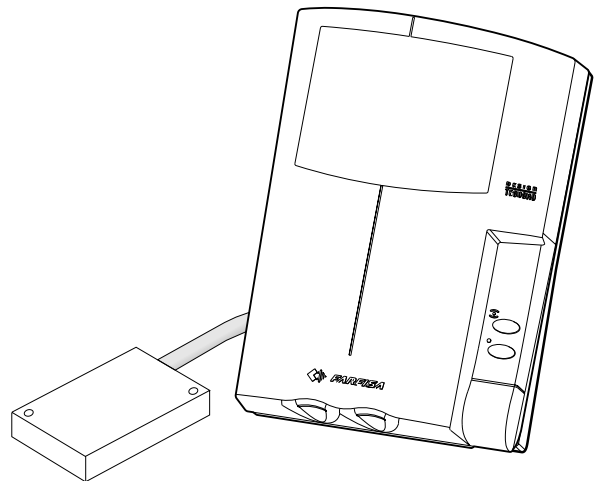
3) Fix the bracket **WB7100** with the 2 screws supplied.

4) Make the connection to the bracket terminal board according to the installation diagram.

5) Mark the colour/terminal combination on the junction box.



6) Connect the monitor cable to the bracket.



7) Hook the monitor to the bracket.

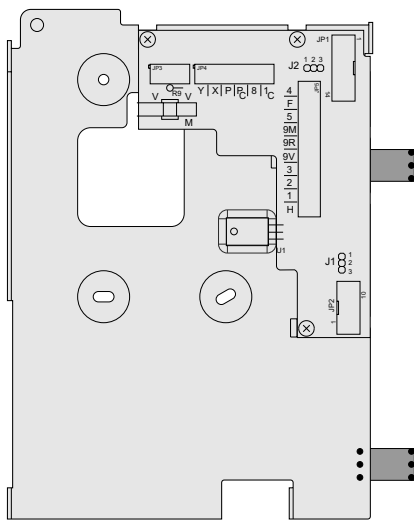
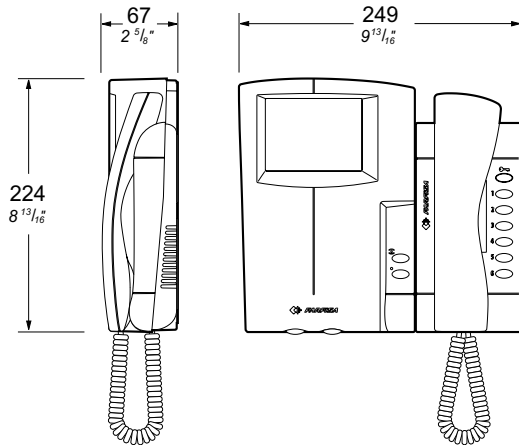


INTERNAL STATIONS

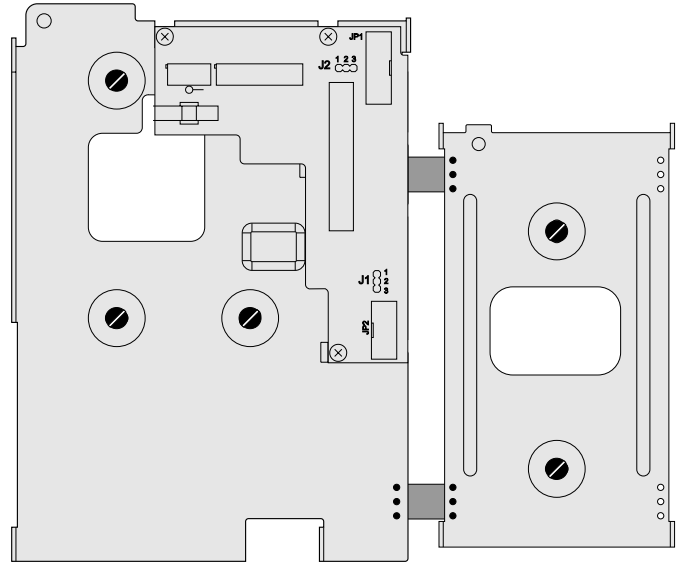
VIDEO INTERCOM-TELEPHONE SET

Installation steps for monitor **ST7100W** (or **ST7100CW**), telephone **ST740W**, brackets **WB7100** and **WB700** and table adapters (if necessary) to obtain an internal station with video intercom-telephone functions.

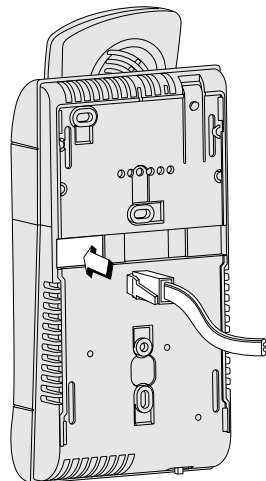
Wall version



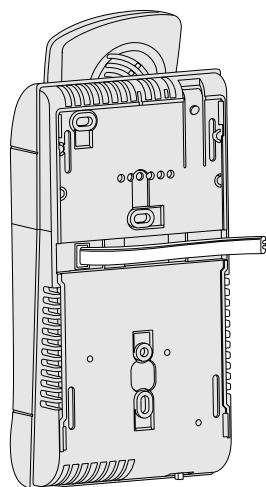
1) Before fixing the bracket **WB700**, position the 2 plastic templates on the holes of bracket **WB7100**.



2) Fix the 2 brackets to the wall according to the instructions of figure 1 on page 155.



3) Connect the telephone cable supplied with the product to the plug on the back of the telephone.



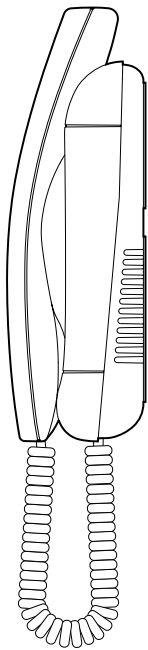
4) Pass the telephone cable through the space between the telephone and the bracket. Pull the cable in such a way that the extra part of the cable faces the monitor bracket.

Note.

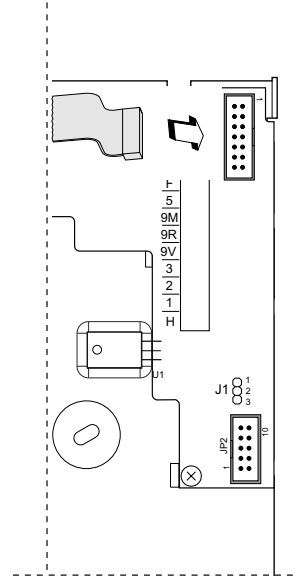
If necessary, to make it easier to pass the cable between the telephone and monitor, you can use the breaking points on the base of telephone and monitor (only the sides that are interested by the passage of the cable).



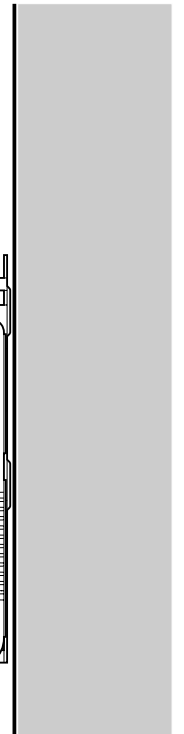
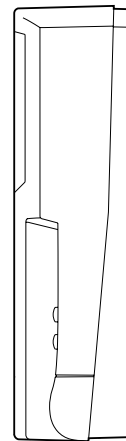
INTERNAL STATIONS



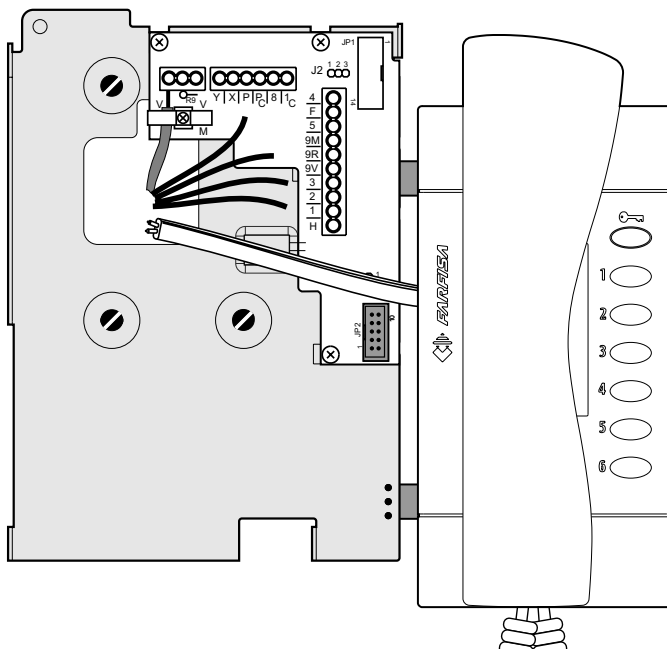
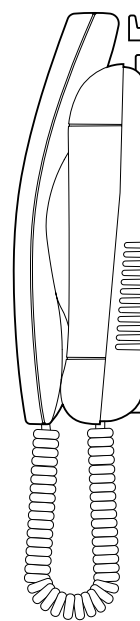
5) Hook the telephone to the bracket **WB700**.



7) Connect the monitor cable to the bracket.



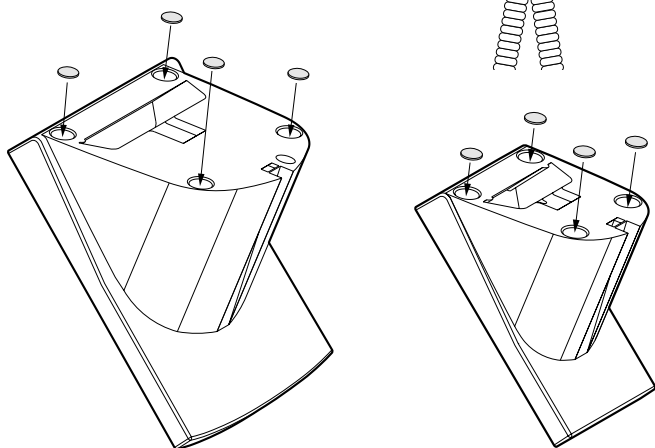
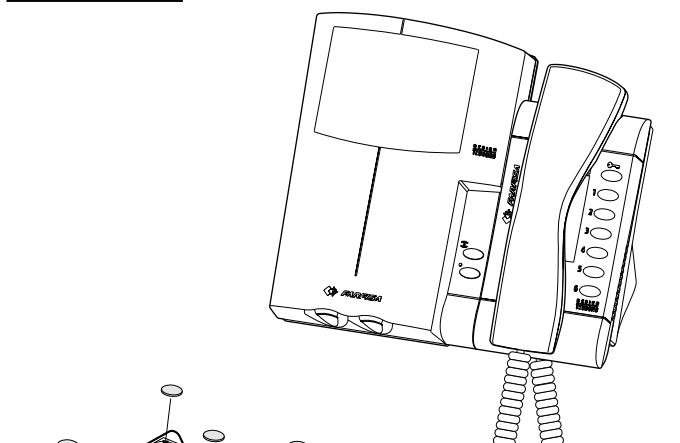
8) Hook the monitor to the bracket.



6) Make the connections on the terminal board of bracket **WB7100** according to the installation diagram.

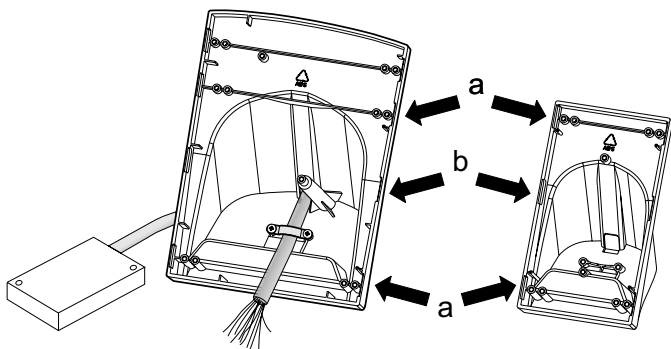
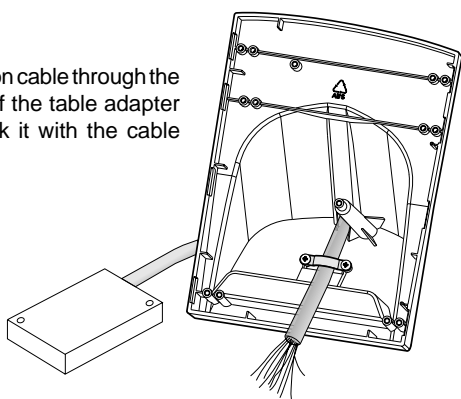


Table version

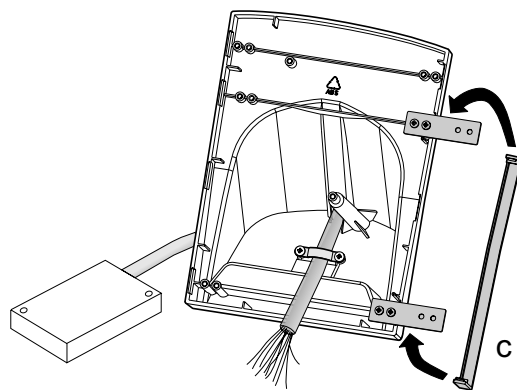


1) Apply the 8 anti-slip rubber pads in their housings under the base of the table adapters **TA7100** and **TA700**.

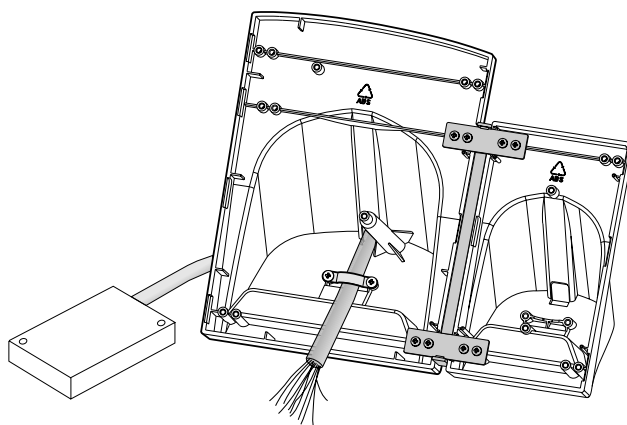
2) Pass the connection cable through the hole in the back of the table adapter **TA7100** and block it with the cable clamp.



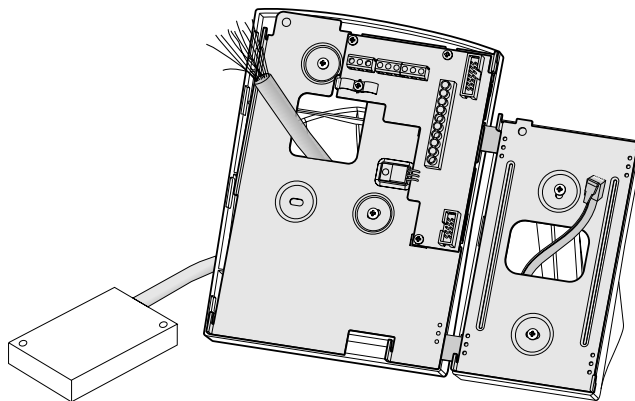
3) The arrow indicate the breaking points for the application of the metallic frames (a) and the passage of the telephone cable (b).



4) Screw the 2 metallic frames to the table adapter **TA7100** and hook the plastic frame to them (c).

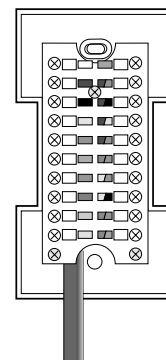


5) Screw the table adapter **TA700** to the 2 metallic frames.



6) Screw brackets **WB7100** and **WB700** to the table adapters.

7) Apply the monitor and telephone according to the instructions on pages 157 and 158 (from point 3 to 8). When connecting the wires to the terminal boards of bracket **WB7100** (point 6) you must mark the colour/terminal combination on the junction box.



INTERNAL STATIONS

VIDEO INTERCOM-TELEPHONE WITH VIDEO MEMORY

ST7M32W. Video memory.

For information on connections and specifications see the instructions manual supplied with the product. The only difference between video intercom and video intercom-telephone connections is represented by the fact that in video intercom-telephone systems the 4 main functions of the video memory can not be remotely actuated with the telephone because it is not provided with buttons for these functions.

Installation

Installation steps for the realisation of one video intercom-telephone internal station with video memory in wall or table version.

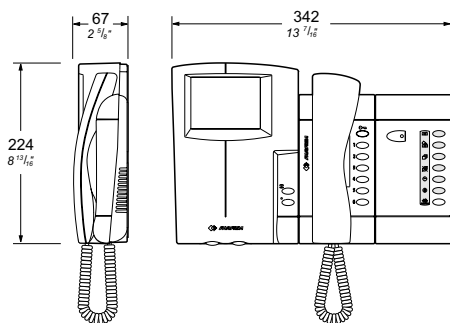
For this composition you need:

- 1 **ST7100** or **ST7100C** (monitor)
- 1 **ST740** (telephone)
- 1 **ST7M32** (video memory)
- 1 **WB7100** (bracket for monitor)
- 2 **WB700** (brackets for telephone and video memory)

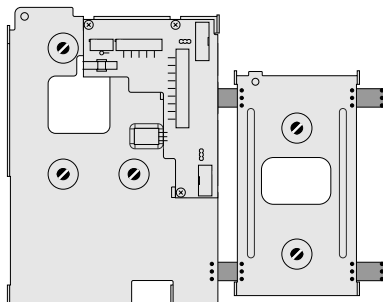
For the table version you must add:

- 1 **TA7100** (table adapter for monitor)
- 2 **TA700** (table adapter for telephone and video memory)

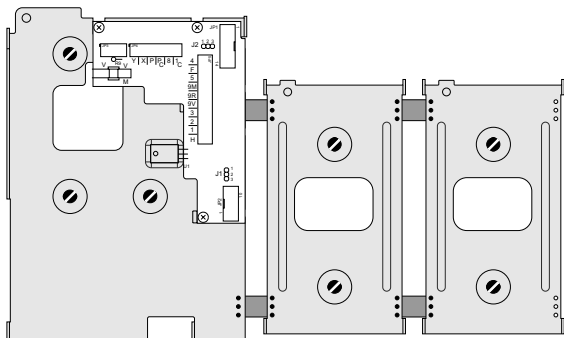
Wall version



To install a video memory module next to the monitor and telephone, you must insert the 2 plastic templates contained in the packing on the proper holes of the bracket **WB700** before fixing it.

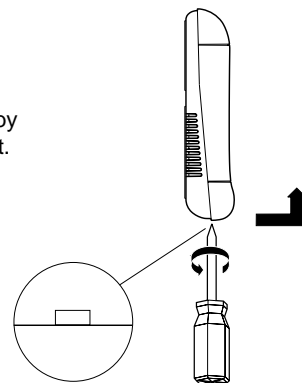


- 1) Before fixing the second bracket **WB700**, position the 2 plastic templates on the bracket holes.

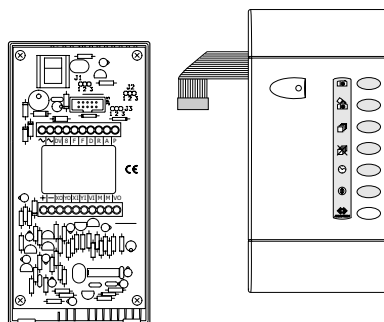


- 2) Fix the third bracket to the wall.

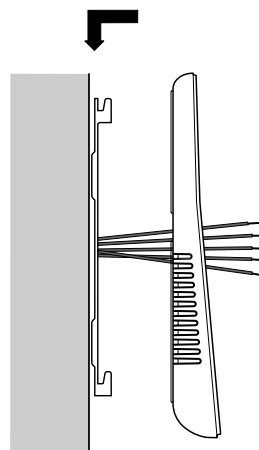
- 3) Hook the monitor and telephone according to the instructions on pages 157 and 158 from point 3 to 8.



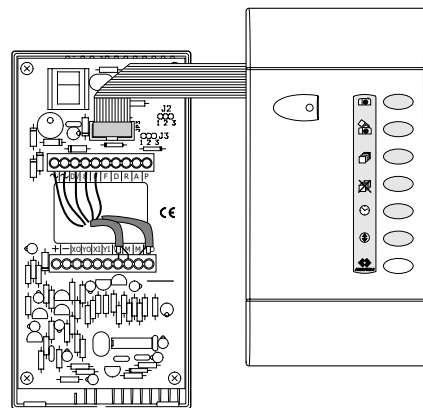
- 4) Remove the video memory cover by disengaging it from the bottom part.



- 5) Remove the flat cable that connects the 2 boards.



- 6) Pass the connection wires through the hole on the base and hook the base to the bracket.

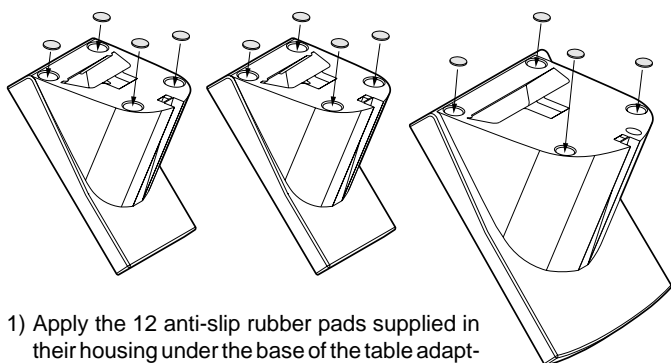
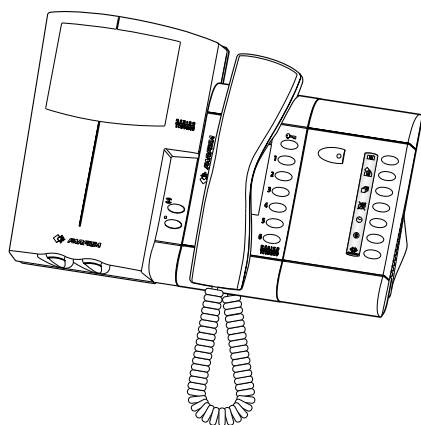


- 7) Make the connection as shown in the installation diagram, reconnect the internal flat cable and replace the cover at the base of the video memory.



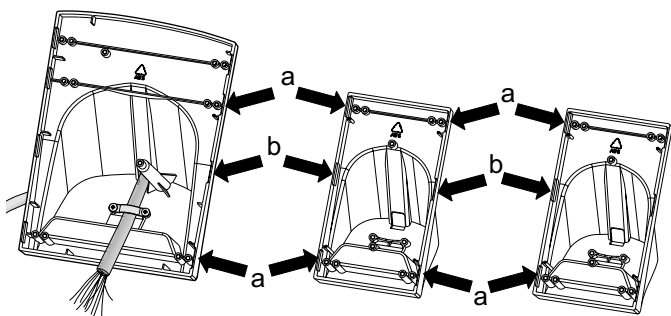
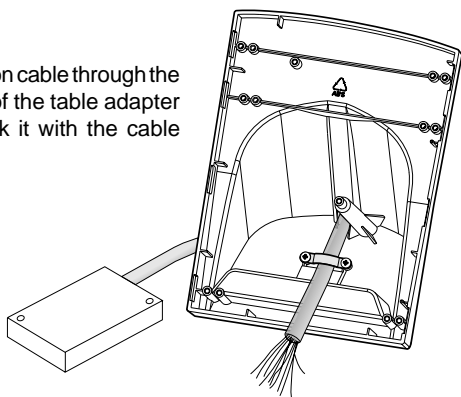
INTERNAL STATIONS

Table version

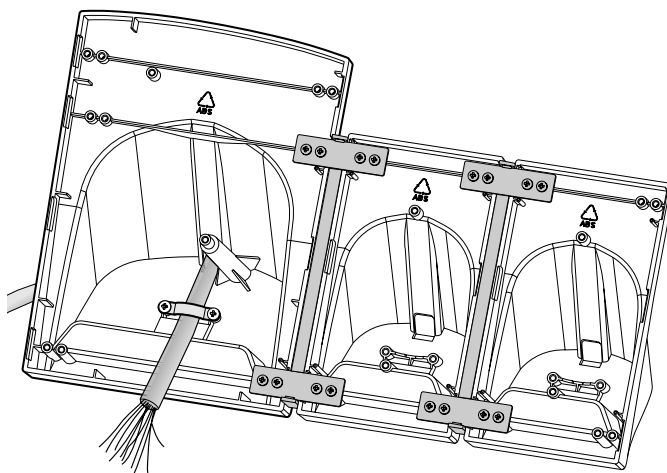


1) Apply the 12 anti-slip rubber pads supplied in their housing under the base of the table adapters **TA7100** e **TA700**.

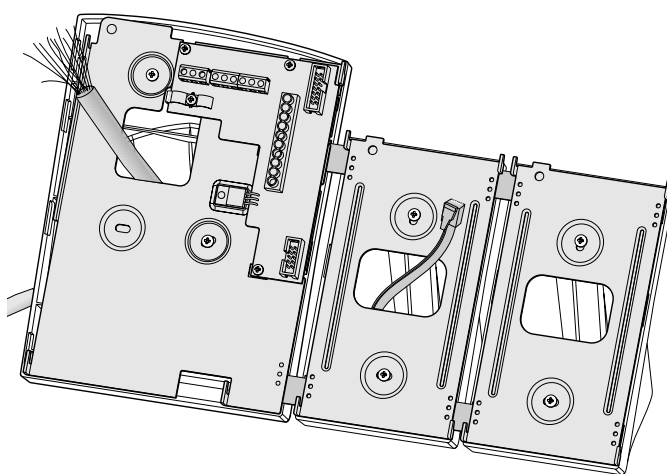
2) Pass the connection cable through the hole on the back of the table adapter **TA7100** and block it with the cable clamp supplied.



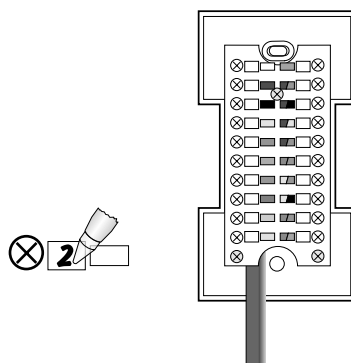
3) The arrows indicate the breaking points for the application of the metallic frames (a) and for the video memory wires (b).



4) Screw the 4 metallic frames on the table adapters and hook the 2 plastic frames to them (see drawing 4 on page 159).



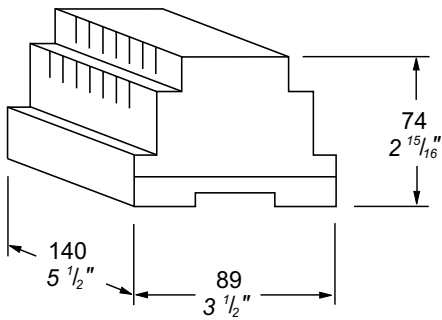
5) Screw the brackets **WB7100** and **WB700** on the table adapters.



6) Hook the monitor and intercom according to the instructions on pages 157 and 158 (point 3 to 8) and the video memory according to the instructions on page 160 (point 4 to 7).
When connecting the wires on the terminal boards of bracket **WB7100** (point 6), mark the colour/terminal combination on the junction box.



INTERCOM-TELEPHONE INTERFACE



FT11D. Intercom-telephone interface.

It allows the connection of the trunk line and the intercom system to home telephone.

Technical data

Power supply	127/230Vac
Maximum power consumption	7VA
Flashing time (button "R")	80 ÷ 330msec
Ringing Voltage	48Vac - 15mA
Operating temperature	0° ÷ +40°C
Maximum humidity	85% RH
Housing	DIN 8 modules A

Note

The model is not provided with fuses, but it is protected against overloading or short-circuiting by temperature sensors (thermoprotector). In order to reset them, it is necessary to cut off the mains voltage for about one minute. Reconnect power after correcting the fault.

Terminals

Tip/ Ring trunk line connection

L-/L+ telephone connection

0/ 127 input voltage 127Vac

0/ 230 input voltage 230Vac

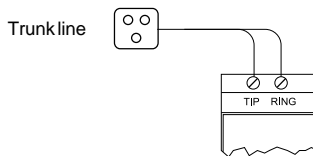
- 1 audio transmission
- 2 audio receiver
- 3 ground
- 4 terminal connected to ground. It can be isolated by cutting **W5** jumper. The normally open contact of relay, is connected between terminals 4 and 5.
- 5 lock release - max 1A (common relay contact)
- 6 intercom call input (12Vac - 150 mA)
- 7 normally closed contact of relay

INSTALLATION

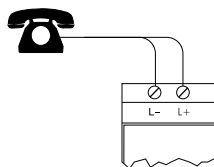
The intercom-telephone interface FT11D in DIN housing 8 modules A can be installed in suitable electrical box provided with bar support in compliance with DIN 46277 standards. It can also be fixed to the wall with two screws and expansion plugs not supplied with the product. **The two plastic protections of the terminal boards must be mounted in case of wall installation.** They can be eliminated in case of installation on DIN bar in electrical box.

Telephone and electrical connections

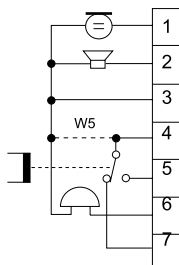
- Connect the two wires of the trunk line (telephone pair) to terminals **TIP** and **RING**.



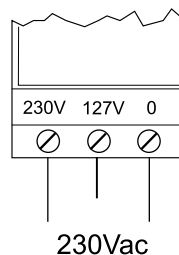
- Connect the two wires of the telephone to terminals **L-** and **L+** (telephone pair). The maximum distance between the interface and the last telephone is 350m with 0.6mm² pair. **Do not lay the telephone cables together with electrical cables.**



- Connect the five wires of the intercom system to terminals **1, 2, 3, 5** and **6**.



- Connect the two wires of the electrical mains to terminals **0** and **230** (or **0-127** according to the ratings of the mains). **It is necessary to provide a disconnecting and safety bipolar switch before the device.**



- Insert the 2 plastic protection of the terminal covers supplied with the product.

PROGRAMMING THE TELEPHONE ST740W

Both a **standard** telephone and model **ST740** can be used as internal extension.

When using art. **ST740** it is necessary to program it in order to use the buttons dedicated to intercom functions. For information on programming see page 152. Following are the codes that can be assigned to the intercom buttons.

Button	Code
	RR
	RRRR
	can be programmed with a maximum number of 6 digits (emergency number, telephone provider special services).

OPERATION AND USE

Do not open or tamper with the device since it contains high voltages inside. Installation and maintenance must be done exclusively by specialized personnel.

Please consider that also if the telephone interface is ON for outgoing / incoming calls the telephone is connected to the trunk line directly. To operate the telephone interface set the switch on "I".

A flashing indicator (LED) shows the system is working properly.

Incoming outside calls

- When receiving a call from the trunk line it is enough to pick up the handset and to answer.

Outgoing external calls

- Pick up the handset.
- Wait for the dial tone of public exchanger.
- Dial the number.

Intercom connection without an outdoor incoming call

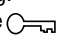
- Pick up the handset.
- Wait for the dial tone of public exchanger.
- (**ST740**) - press
- (**Standard**) - the "R" key twice (**R+R**) in a 3-seconds lapse of time.




Intercom call

An intercom call is signalled on the telephone with a faster ringing tone than a conventional incoming outside call. The telephone is automatically connected to the intercom line, to answer it is enough to pick up the handset. If within 25 seconds you don't answer, the telephone is connected again to the trunk line.

Door-opener

When the telephone is connected to the external door intercom station, the user can open the door by pressing:
(ST740) - the  button
(Standard) - the "R" key twice (R+R) in a 3-seconds lapse of time.

Intercom call during a telephone conversation

During a telephone conversation, an acoustic signal (beep) indicates the intercom call. The user can:
 - answer the intercom call and put the telephone conversation on hold (music on hold) by pressing:
(ST740) - the  button
(Standard) - the "R" key twice (R+R) in a 3-seconds lapse of time.
 To retrieve the telephone conversation the user must replace the handset and wait for the telephone ringing back;
 - answer to the intercom call and clear the telephone call by replacing the handset and waiting for the incoming intercom call to ring;
 - ignore the intercom call and continue the telephone call. The intercom call remains active for 25 seconds, while the beep signal remains active only for 10 seconds.

Phone call during an intercom conversation

During an intercom conversation, any phone call is signalled by a bip on the background. In order to answer the phone call, the user has to replace the handset and wait for the incoming outside call.

Emergency

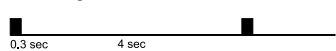
In case of power failure, the telephone is connected directly to the trunk line.

Signalling table

Intercom call / call back ringing tone



Warning tone



PR1. Protection for 1 telephone line.

PR2. Protection for 2 telephone lines.

PRAL. Protection for electrical line (230Vac).

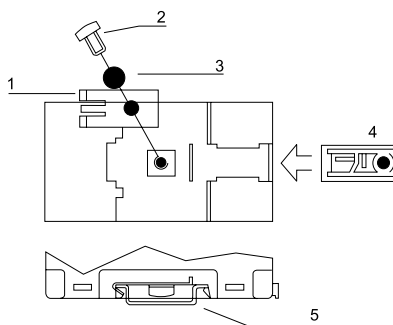
WARNINGS

- Do not install the protections in humid places or near heat sources.
- Do not introduce objects or pour liquids inside the protections.
- Do not install the protections during a storm.
- Do not touch non-insulated cables, unless they are not disconnected from the mains.
- The protections do not contain user-serviceable parts: do not open the protection housings. If necessary, contact an authorized service centre.

MECHANICAL ASSEMBLING

For the mechanical assembling use the fastening means supplied with the kit. The protection devices can be assembled on G-type (EN 50035) and OMEGA-type (EN 50022) DIN bars.

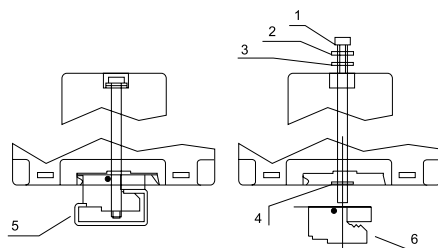
Assembling on OMEGA bar



- 1 Ground spring
- 2 Fixing screw
- 3 Notched washer Ø5
- 4 Plastic fastener
- 5 Omega bar

Note: Only use the plastic fastener in case of assembling on OMEGA bar without ground connection.

Assembling on G bar

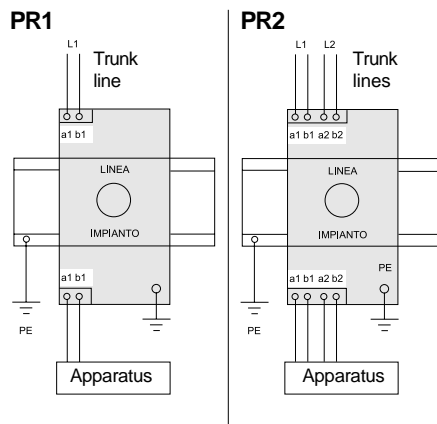


- 1 Fixing screw
- 2 Split washer Ø4
- 3 Flat washer Ø4
- 4 Notched washer Ø4
- 5 Omega bar
- 6 Mechanical fastener and ground terminal

ELECTRICAL ASSEMBLING

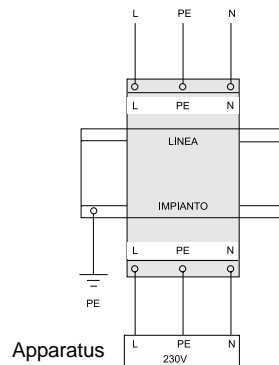
The protection device must be connected to the ground system using the terminals provided and/or the grounded DIN bar. The lower the resistance of the ground system, the higher the efficacy of the protection device. Disconnect the power supply before making the connections and refer to the wiring diagrams.

INSTALLATION DIAGRAMS



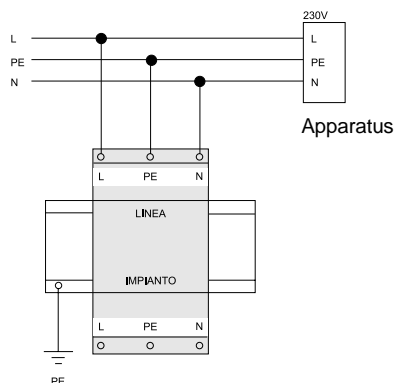
PRAL

SERIES connection for monophase power supply

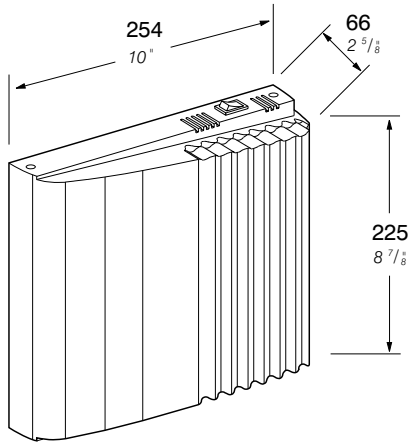


PARALLEL connection for monophase power supply

Connect the protection device in parallel to prevent it from being crossed by the operating current. This allows for connecting devices that absorb a higher current than the current stated by the protection device.



In addition to the traditional functions, the PABX allows for intercom connection to your own entrance or to the building system intercom and intercommunicating service between Farfisa dedicated telephones (art. **ST740**) or pulse/DTMF standard telephones. The PABX are sold with basic programming by default. For the intercom connection or for changing the default programming, carefully read the instructions manual supplied with the product.



FT105P. PABX with 1 external and 5 extension lines

FT208P. PABX with 2 external and 8 extension lines

SAFETY RULES

- Only use the devices for the purpose it was designed for. The manufacturer is not responsible for possible damages arising from improper, incorrect or unreasonable use.
- The devices complies with the EEC directives (CE European Mark).
- The installation must comply with the CE regulations in force.
- A disconnecting and protection switch must be placed before the PABX in the installation.
- Before powering up the PABX, make sure that the rating complies with the power mains.
- Never open the devices when turned ON.
- In case of failure, malfunctioning or modification of the installation, disconnect the power mains by means of the general switch and contact specialized personnel.

EMERGENCY

In case of power failure, the following lines can be used to make/receive calls:

- for **FT105P** extension **41**
- for **FT208P** extension **41** for external line 1
extension **42** for external line 2

An EEPROM memory guarantees the storing of the general programming data (or system data) and restore them when the power is restored.

Technical data

	FT105P	FT208P
Supply voltage (+6÷-10%):	230Vac	230Vac
Maximum power consumption:	16W	18W
Power consumption in stand-by:	10W	10W
Input protection fuse:	0.315A	0.315A
Maximum distance of an extension line with 0.6 mm ² telephone pair:	350m	350m
Dimensions:	226x254x66	226x254x66
Weight:	1.3 Kg	1.4 Kg
Operating temperature:	0°÷40°C	0°÷40°C
Maximum humidity permitted:	85%RH	85%RH
Number of external lines:	1	2
Number of extension lines:	5	8
Number of DTMF receivers:	1	2
Simultaneous internal conversations:	2	2
Simultaneous external conversations:	1	2
Paging communication:	1	1
Intercom calls (additional board):	1 or 2	1 or 2
Storing of data in case of power failure:	EEProm	EEProm
Extension lines in emergency mode:	41	41 and 42
Extension line for facsimiles, modems, answering machines:	45 *	48 *
Microprocessor control with recorded program		
Solid-state switching matrix		
2-wire internal telephone network		

* The other extension lines can also be used but in this case the use of the general call function is not recommended.



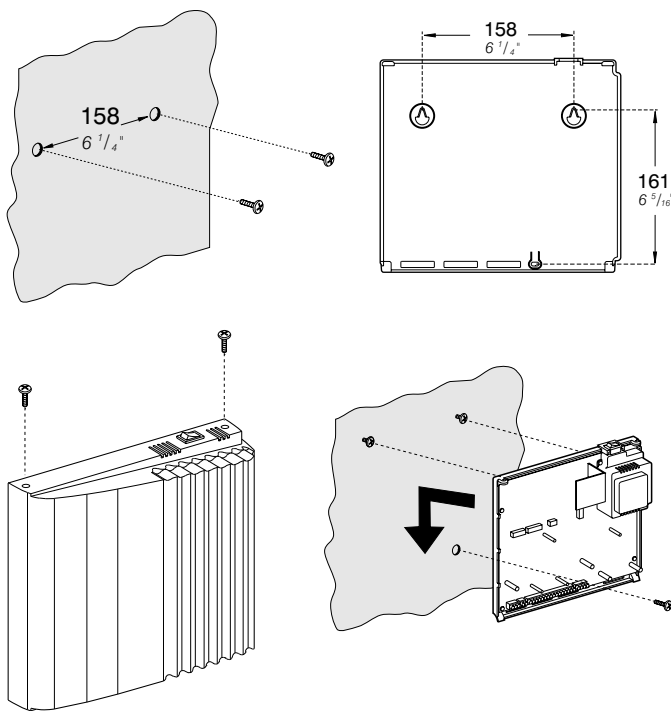
INSTALLATION

For correct operation, make sure that the openings or slots for ventilation and heat dissipation are not blocked. Install the PABX away from devices generating strong magnetic fields (such as copying machines).

Mechanical installation

To install the PABX:

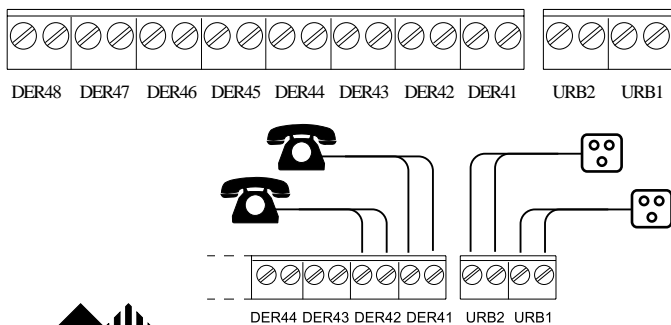
- position two screws on the wall at a distance of 158 mm without tightening them
- unscrew the 2 screws to remove the cover
- hook the PABX to the screws
- mark and drill the bottom hole
- place the PABX on the wall in correspondence with the 2 upper screws and move it downwards
- insert the bottom screw to block the PABX.



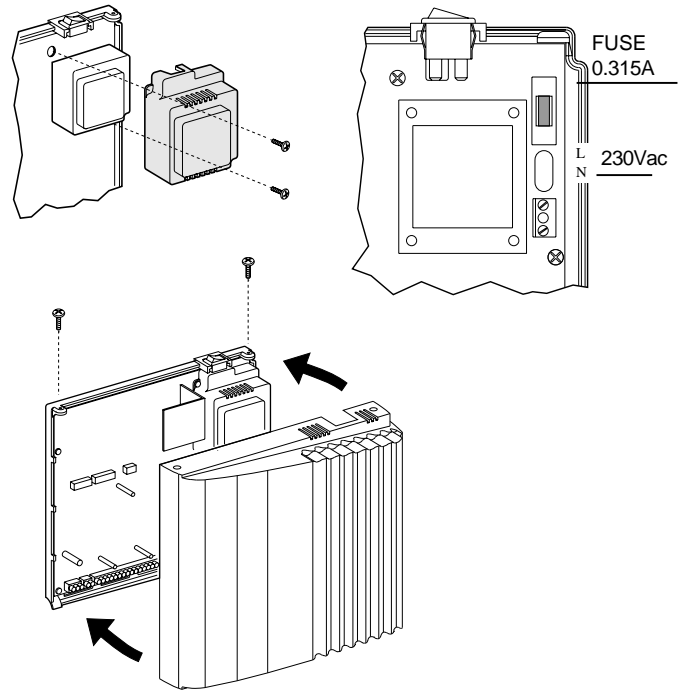
Telephone and electrical connections

Use a telephone pair to connect telephones and external lines. The maximum distance between the PABX and the last telephone is 350 m. using a 0.6 mm² telephone pair. Do not use multi-pair cables to reduce crosstalk problems.

- check that the ON/OFF switch is OFF
- connect the wires of the external lines 1 and 2 to terminals **URB1** and **URB2** (**URB1** for **FT105P**)
- connect the wires of the telephones to **DER41**, **DER48** (**DER41**, ... **DER45** for **FT105P**)



- unscrew the 2 screws to remove the protection cover of the power supply
- connect the 2 electrical conductors to terminals L and N
- replace the protection cover
- close the PABX
- power ON the PABX.



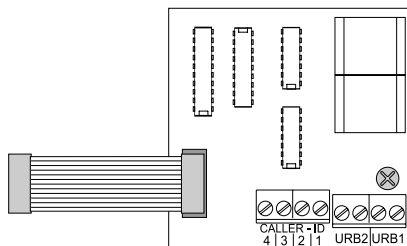
Notes

- Although already present in the PABX, place external protections against overvoltage or lightning on the external lines, on the electric mains and on the extension lines, if partially located outside the building.
- The correct operation of the telephone installation is guaranteed when using homologated telephones.
- If the general call function is required, connect facsimiles, modems and answering machines to the last extension (DER45 for FT105P; DER48 for FT208P) because they do not receive the call signal.



EXPANSION BOARDS

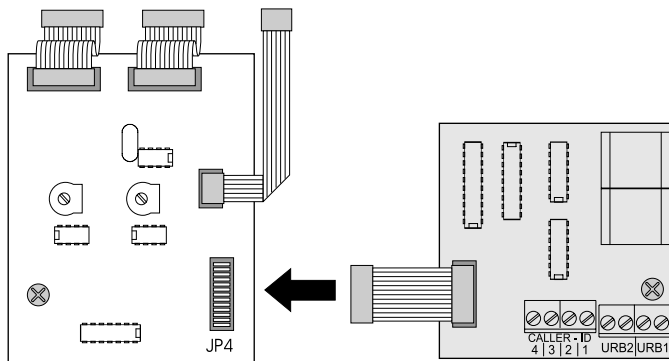
ES70. Caller identifier board



The installation of the caller identifier board (art. **ES70**) into the **FT105P** or **FT208P** PABX allows you to display the caller's telephone number. The board allows for connecting up to 4 terminals. **The service must be requested to the telephone provider.**

Installing the board into the PABX

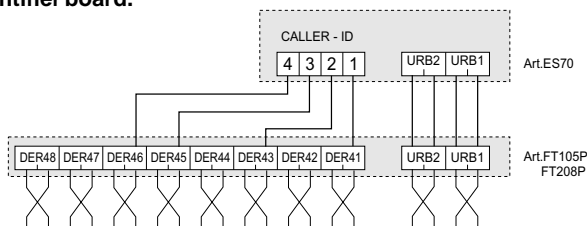
- Check that the PABX is turned OFF
- Remove the cover by unscrewing the 2 top screws
- Fix the board on the provided space
- Connect the ES70 board cable to the JP4 connector of the PABX (fax-switch board)
- Connect the 2 wires of each external line to the URB1 and URB2 terminal boards of the PABX and the ES70 board
- Remember to correctly program the PABX



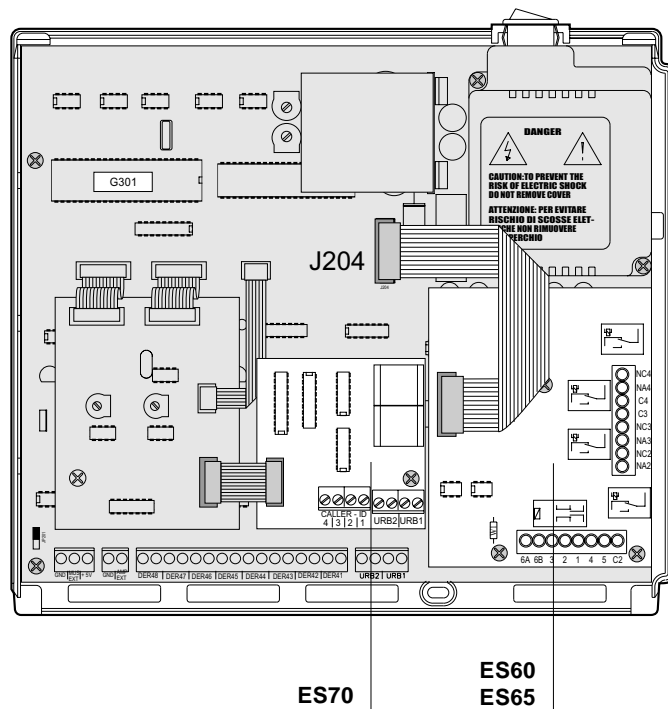
- Connect the **right terminal** of the 1st extension to terminal 1 of the CALLER-ID terminal board. Connect the **right terminal** of the 2nd terminal to terminal 2 of the CALLER-ID terminal board. Repeat the connection up to the 4th extension. You can choose any of the extensions, as long as you comply with the correct sequence (i.e. right terminal of DER 41 connected to terminal 1 of the CALLER-ID terminal board, right terminal of DER 43 connected to terminal 2, right terminal of DER 45 connected to terminal 3, right terminal of DER 46 connected to terminal 4).

Warning: If the telephone installation includes the ISDN interface board, for the correct operation of the ES70 check that the microcontroller of the FT105P or FT208P PABX is provided with H301 or G301 software or higher.

Connection of the FT105P or FT208P PABX with the ES70 caller identifier board.



Installation of the ES60 (or ES65) intercom interface and ES70 caller identifier board in the FT105P or FT208P PABX.



PROGRAMMING

You need to enter the number of each extension you require the service for. It is recommended to note down the type of programming in the enclosed table.

- 0 service disabled
- 1 service enabled

Program:

- pick up the handset of the extension 41 (dialling tone);
- dial the access code 333316;
 - (only FT105P) – dial 5 digits to program 5 extensions (see Table). **Always dial a number of 5 digits even if extensions are less than 5.**
 - (only FT208P) – dial 8 digits to program 8 extensions (see Table). **Always dial a number of 8 digits even if extensions are less than 8.**
- wait for the acknowledgement tone and hang up.

Notes

- The caller ID service **will not work** if the external lines are programmed for direct dialling (DISA) (see page 14 of the PABX technical manual for DISA programming).
- **The maximum number of extensions** with the caller ID function is **4**. If a higher number of telephones is enabled during programming, the exchanger will automatically recognise only the first 4 telephones and exclude the others from the service.

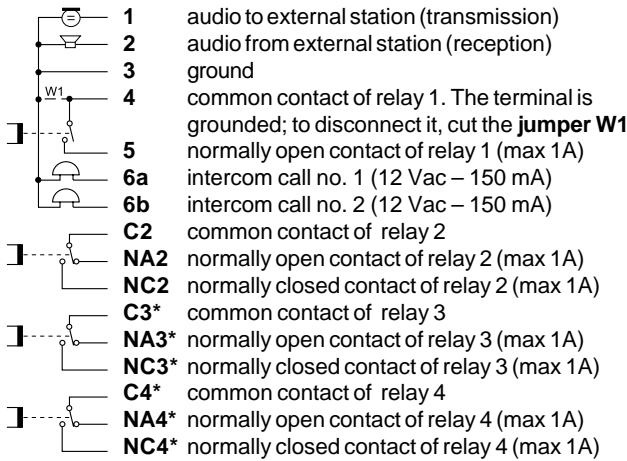


INTERCOMINTERFACES

The intercom board art. **ES60** or **ES65** can be installed in the PABX in order to connect with the external intercom station, open the door/automatic gate, turn ON the staircase lighting, etc.

- ES60.** Intercom interface with two calls and 2 relays for door-opener.
- ES65.** Same as ES60, with 4 relays for door-opener and activation of electrical equipment.

Terminal specifications of the intercom boards

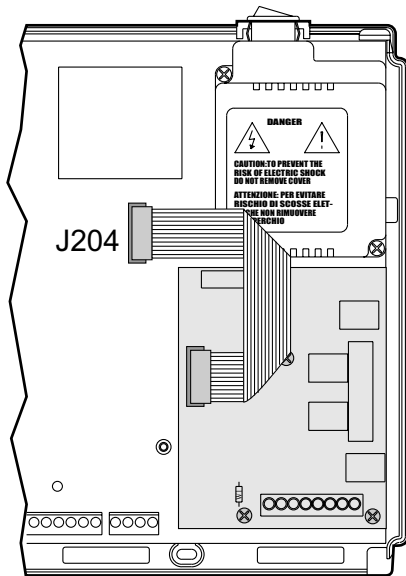


* Terminals only available on the **ES65** intercom board.

INSTALLATION

Installing the board

- Make sure that the PABX is OFF
- Unscrew the 2 upper screws to remove the cover
- Fix the board on the provided place
- Connect the flat cable of the intercom board to the J204 connector
- Connect the intercom wires to the terminal block (see diagrams below)
- Remember to correctly program the PABX



PROGRAMMING

Programming allows for personalizing the PABX according to the user's needs and for setting the operating mode for the each individual telephone connected to the PABX.

PROGRAMMING CAN ONLY BE CARRIED OUT FROM EXTENSION 41.

When switching it ON, the PABX is programmed for standard operation. The basic programming is described in the sections of the instructions manual supplied with the product. For information on the PABX programming see the PABX manual.

Only reprogram the PABX parts that need to be modified and leave the rest unchanged. It is possible to return to base programming at any time, by dialling code **333399** from telephone 41.

PABX are provided with two operating modes: **day** and **night** service. It is possible to simplify the PABX use by selecting the desired programming at any time during the day. To recall the **day** service, dial **333301** from telephone 41 (operating mode set in the base programming). To recall the **night** service, dial **333300**.

PABX programming procedure

- pick up the handset (dialling tone);
- dial the access code;
 - (only FT105P) – dial 5 digits to program 5 extensions (see Table). **Always dial a number of 5 digits even if extensions are less than 5.**
 - (only FT208P) – dial 8 digits to program 8 extensions (see Table). **Always dial a number of 8 digits even if extensions are less than 8.**
- wait for the acknowledgement tone and hang up.

HOW TO ASSIGN INCOMING EXTERNAL LINES

The access code for this service is - day **333307**
- night **333309**

- 0** the extension: - is not enabled to receive calls from the external lines
- 1** the extension: - is enabled to receive calls from external line 1
- 2** the extension: - is enabled to receive calls from external line 2
- 3** the extension: - is enabled to receive calls from external lines 1 and 2

HOW TO ASSIGN OUTGOING EXTERNAL LINES

The access code for this service is - day **333306**
- night **333308**

- 0** the extension: - is not enabled to make calls on the external lines
- 1** the extension: - is enabled to make calls on external line 1
- 2** the extension: - is enabled to make calls on external line 2
- 3** the extension: - is enabled to receive calls on external lines 1 and 2



ENABLING THE INTERCOM INTERFACE

The access code for this service is - day **333310**
 - night **333312**

- 0** the extension: - is not enabled to have conversations with the external intercom station
 - is not enabled to activate relays (door-opener, staircase lighting, etc.)
- 1** the extension: - is enabled to have conversations with the external intercom station
 - is not enabled to activate relays (door-opener, staircase lighting, etc.)
- 2** the extension: - is not enabled to have conversations with the external intercom station
 - is enabled to activate relays (door-opener, staircase lighting, etc.)
- 3** the extension: - is enabled to have conversations with the external intercom station
 - is enabled to activate relays (door-opener, staircase lighting, etc.)

ENABLING TO INTERCOM CALLS

The access code for this service is - day **333311**
 - night **333313**

- 0** the extension: - is not enabled to receive calls from the external intercom station
- 1** the extension: - is enabled to receive calls from the external intercom station – button no. 1 (terminal 6a of board ES60 or ES65)
- 2** the extension: - is enabled to receive calls from the external intercom station – button no. 2 (terminal 6b of board ES60 or ES65)
- 3** the extension: - is enabled to receive calls from both buttons of the external intercom station (terminals 6a and 6b of board ES60 or ES65)

OPERATION

The functions of the dedicated buttons of the ST740 telephone are factory-set.

Answering an intercom incoming call

This function allows for answering calls coming from one or more external intercom stations (if properly programmed in both the sections “enabling the intercom interface” and “enabling to intercom calls”).

When the call from the external station is received:

- pick up the handset and answer

Intercom communication without receiving any call

This function allows for having a conversation without receiving a call from one or more external intercom stations (if properly programmed in the section “enabling the intercom section”).

- pick up the handset
 - dialling tone

(ST740) • press 

(Standard) • dial **6**


- conversation with the external intercom station starts

Transfer an intercom call

To transfer an intercom call to an enabled user:

- hang up to suspend the intercom conversation
- pick up the handset
- call the desired extension and hang up after the message

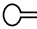

The called user can:

- press **FLASH**
(ST740) • press 
(Standard) • dial **6**
 - conversation with the external intercom station starts

Relay activation during conversation

This function allows for activating the relays no. 1 and 2 of the intercom board ES60 or ES65 in order to operate electrical locks, turn ON the staircase lighting, etc.

During the conversation with the external intercom station:

- (ST740)** • press the  button to activate relay 1
 • press the  button to activate relay 2

For the simultaneous activation of the two relays follow the procedure of the standard telephone.

(Standard) • press **FLASH**

- dialling tone
- dial the number of the relay to be activated:
 - 1** immediate enabling of relay 1 for about 3 seconds
 - 2** immediate enabling of relay 2 for about 3 seconds
 - 3** enabling of relays 1 and 2 in sequence.*

* Relays 1 and 2 are not enabled at the same time, in order not to overcharge the intercom power supply unit when used to activate electrical locks. Relay 2 is enabled with about 3 sec. delay.

RELAY ACTIVATION

This function allows for activating the relays of the intercom board **ES60** or **ES65** for auxiliary services (lights, thermostats, heating and air conditioning installations, etc.).

Note

Only one board at time can be added in the PABX (either ES60 or ES65).

For installing the board and connection terminal block see on page 167.

Operation

For the first two relays also refer to the previous sections on this page:

- *enabling the intercom interface;*
- *relay activation during conversation.*

- pick up the handset
 - call waiting tone
- dial **78** followed by the number of the relay to be activated
 - 1** relay 1
 - 2** relay 2
 - 3** relay 3
 - 4** relay 4
- select the relay action (only for relays 2, 3 and 4)
 - 0** the relay is deactivated
 - 1** the relay is activated permanently
 - 2** the relay is activated for 3 seconds
- hang up after the acknowledgement tone.

Example: - dial 7821 to activate permanently relay 2. To deactivate it, dial 7820.
 - dial 7832 to activate only for 3 seconds relay 3.



REMOTE ACTIVATION OF AUXILIARY RELAYS USING A CODE

This service only works when calling over the public line with a DTMF telephone.

It allows the user with password to activate from long distance the 4 actuator relays for auxiliary services (lights, thermostats, heating and air conditioning installations, etc.) by making a call to the user's number.

Storing the passwords for external line 1 and 2

Chose a 4-digit password for line no. 1 and no.2 (i.e. 0190, 3233, 0010, etc.) and write them in the table below.

Programming	Code	Password to be stored
External line 1 password	3333-20	----
External line 2 password	3333-21	---- (only FT208P)

To program:

- pick up the handset of the extension 41
- dialling tone
 - dial the access code 333320 to store password related to external line no.1
 - dial a chosen 4-digit password (from 0000 to 9999). *Always dial a 4-digit number*
 - wait for the acknowledgement tone and hang up.
- Repeat the above procedure with a different access code and password for external line 2 (only FT208P).

Example: if the number below has been dialled from the extension 41: 3333200100 the actuator boards installed in the PABX can be activated by making a call to external line 1 and dialling password 0100.

Operation

- select the subscriber number to which the PABX is connected from an external telephone
- Public Exchange call control tone
- wait for the D.I.S.A. post-dialling tone
- dial **7**
- dial the password programmed for the specific external line
- dial the number of the relay to be activated
 - 1 relay 1
 - 2 relay 2
 - 3 relay 3
 - 4 relay 4
- select the relay action (only for relays 2, 3 and 4. Relay 1 is always activated for 3 seconds)
 - 0 the relay is deactivated
 - 1 the relay is activated
 - 2 the relay is activated for 3 seconds
- acknowledgement tone.

Examples: make the connection with the user's number and dial 7010032: relay 3 is activated for 3 seconds, being 0100 the password related to external line 1 (see example above). To enable relay 1, dial 7 + the password code + 1. Relay 1 can only be activated for about 3 seconds.

Note

In case of incorrect dialling, wrong password or no password within 5 seconds, the call is automatically sent to all extensions enabled to receive external calls.

SUMMARY TABLE OF OPERATIONS FOR THE ACTIVATION OF THE MAIN INTERCOM FUNCTIONS

Intercom functions	ST740 telephone connected to:		Standard telephone connected to:		Legenda
	FT11D ^{(1) (2)}	FT105P FT208P	FT11D ⁽²⁾	FT105P FT208P	
Door lock release during conversation			R + R (twice R)	R + 1	lift the handset button of ST740W telephone
Door lock release without receiving a call	+	+	+ R + R + R + R (four times R)	+ 6 + R + 1	button of ST740W telephone
Intercom communication after receiving a call					R 1 6 telephone numerical and functional buttons
Intercom communication without receiving a call	+	+	+ R + R (twice R)	+ 6	

(1) To have these functions you must programme the buttons of the **ST740** telephone (see page 152).
 (2) Lift the handset and wait for the exchange tone.



INSTALLATION INSTRUCTIONS

INTERCOMS * VIDEO INTERCOMS * TELECOMMUNICATION

INTERCOM-TELEPHONE SYSTEMS

The installation of intercom interfaces (ES60, ES65 or FT11D) in an intercom system allows for using the telephone (traditional, dedicated or cordless) also for intercom functions.

- conversation with one or more external stations
- electric door lock release (or more locks with boards ES60, ES65)
- activation of electrical equipment in direct or remote mode (with boards ES60, ES65)

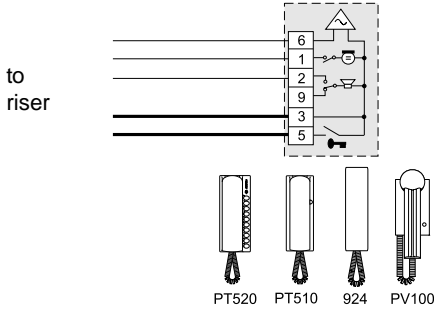
APPLICATION IN INTERCOM SYSTEMS

The intercom interface boards **ES60**, **ES65** and art. **FT11D** have the same numbers as the terminals and the same functions as a Farfisa intercom connected in 4+1 intercom systems with one or more entrances.

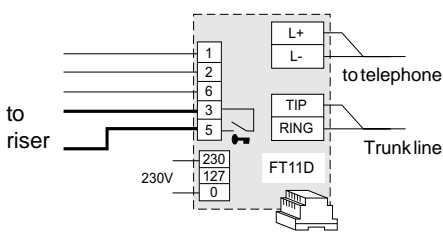
If the private conversation is necessary, the module SM50 must be installed only inside the intercoms, and not in apartments with telephone interfaces because the service is provided by the interface board directly.

The **intercommunicating diagrams cannot be used** because the intercommunicating service is provided by the PABX.

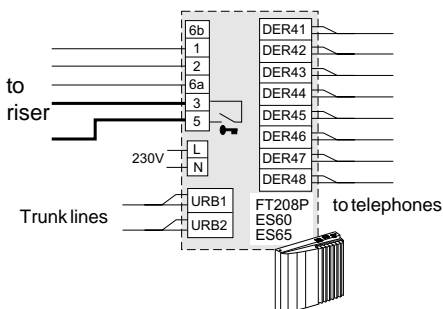
Intercom connection



Intercom-telephone connection with FT11D interface



Intercom-telephone connection with FT208P PABX



List of diagrams

Following is a list of installation diagrams in which one or more intercom and telephone interfaces can be installed instead of intercoms.

Diagram code	Page reference
Si11MO/1	31
Si11MO/2	33
Si12MO/1	35
Si13MO/1	37
Si16MO/1	39
Si16MO/2	41
Si17MO/1	43

For installation instructions and wire cross-section see page 26.

VIDEO INTERCOM-TELEPHONE SYSTEMS

For the realisation of a video intercom system combined to a telephone system, it is necessary to install a monitor **ST7100** or **ST7100C** to your domestic telephone. In this case, in addition to the intercom characteristics described in the previous section, you can visualise your own entrance.

APPLICATION IN VIDEO INTERCOM SYSTEMS

The video intercom diagrams contained in this manual can be converted into video intercom-telephone diagrams **with the following variations:**

- **intercom connections** (terminals 1, 2, 3 and 5) **must be** connected to the terminal board of the intercom interface and **not** to the terminal board of the monitor bracket;
- **connect the call terminal 9M with call terminal 6 of the interface** (terminal 10 in video intercom diagrams).

The **intercommunicating diagrams cannot be used** because the intercommunicating service is provided by the PABX.

List of diagrams

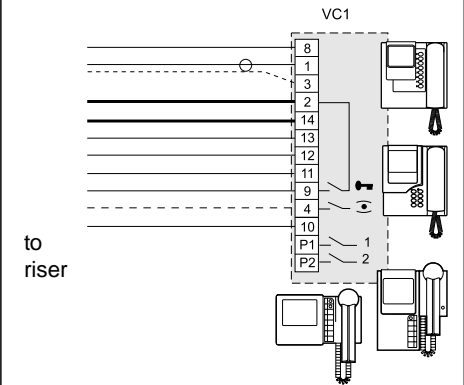
Following is a list of installation diagrams in which one or more intercom-telephone interfaces can be installed instead of video intercoms.

Diagram code	Page reference
Si31MO/1	99
Si31MC/1	101
Si31MO/2	103
Si32MO/1	105
Si32MO/2	107
Si33MO/1	109
Si33MO/2	111
Si33MO/7	113
Si36MO/2	115
Si36MO/3	117
Si36MO/4	119
Si36MO/5	121
Si37MO/1	123

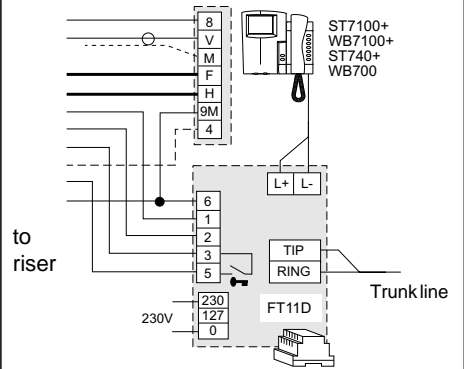
For installation instructions and wire cross-section see pages 91 to 93.

Video connections with COAXIAL CABLE

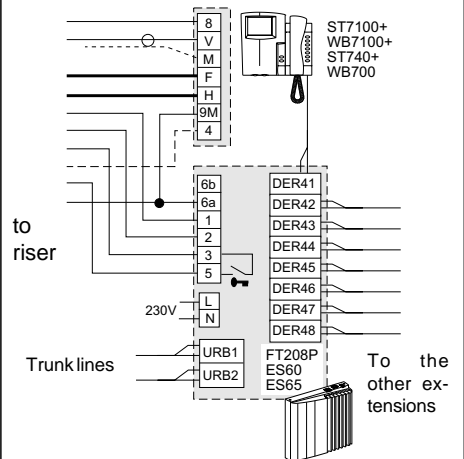
Traditional video intercom



Video intercom-telephone with FT11D interface

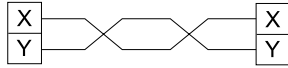


Video intercom-telephone with FT208P PABX



VIDEO SIGNAL DISTRIBUTION WITH TWISTED PAIR

If the distance between the camera and the last video intercom in the system is lower than 200m, the connection can be made with 2x0.35mm² wires (Ø=0,6mm; AWG22) instead of the coaxial cable. For distances from 100m to 200m a twisted pair must be used.

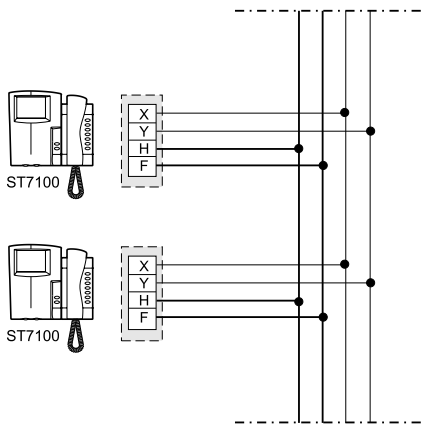


For the connection of the video signal you can choose from:

- connection with junction box
- serial connection (input and output)
- connection with floor distributor

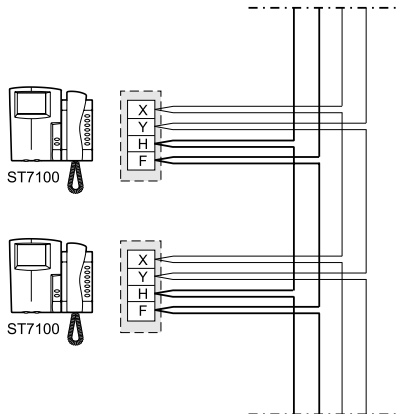
CONNECTION WITH JUNCTION BOX

All wires are distributed in the floor junction box. Due to the signal loss introduced by each connection, the maximum number of video intercoms that can be connected in serial mode is 20. Two 75Ω resistances must be inserted between X and F and between Y and F in the last video intercom. The maximum distance between the video intercoms and the connector block is 2.5 metres.



SERIAL CONNECTION

Connections are made on the video intercom brackets, and not in the junction box. Due to the signal loss introduced by each connection, the maximum number of video intercoms that can be connected in serial mode is 20. Two 75Ω resistances must be inserted between X and F and between Y and F in the last video intercom.



CONNECTION WITH FLOOR DISTRIBUTOR

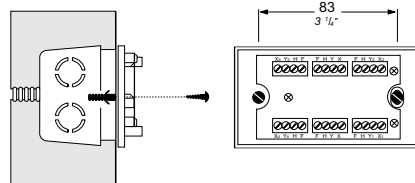
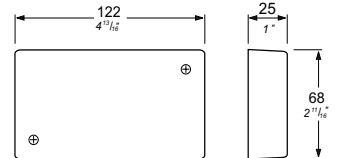
The video wires of each video intercom are insulated from the riser. Connections are made on the DV2D or DV4D floor video signal distributor box.

DV2D-DV4D. FLOOR VIDEO SIGNAL DISTRIBUTORS.

They allow for the distribution of the video signal taken from the riser on 2 or 4 outputs. They can be installed on the wall on a wall box, with expansion plugs or it can be placed in the junction box.

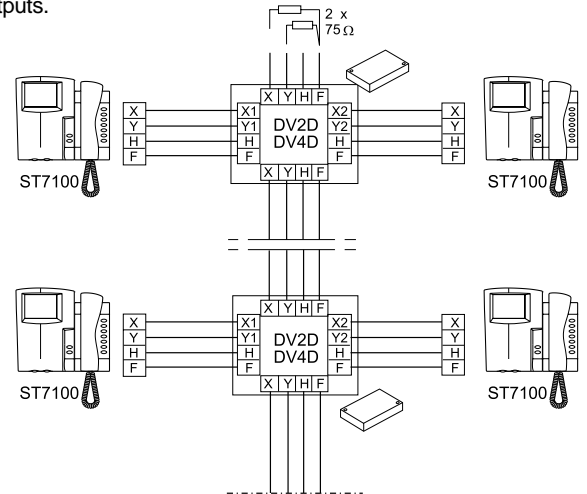
Technical data

Power supply	15÷21Vdc
Operating current	60mA
Max. input video signal	2Vpp
Insertion loss	0.8dB
Bandwidth	>5MHz



Connection of the video signal on a single riser

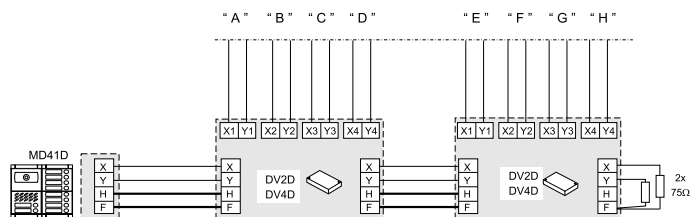
Terminals X and Y of the last distributor must be terminated with the 75Ω resistances supplied with the article. It is not necessary to terminate the unused outputs.



Connection of the video signal with distribution on several risers

In video systems with different risers you must use 1 or more video distributors art. DV2D or DV4D.

Terminals X and Y of the last distributor must be terminated with the 75Ω resistances supplied with the article. It is not necessary to terminate the unused outputs.



Example of connection on 8 risers



twisted pair



EXTERNAL DOOR STATIONS

VIDEO SIGNAL CONVERSION FROM COAXIAL CABLE TO BALANCED LINE

The **Studio** video intercom line allows for the realisation of video intercom systems by simply using a twisted pair and the camera **MD41D**. If the system includes colour cameras or models for CCTV, you must use a video converter to transform the video signal from coaxial to balanced. The board **CV01** permits this type of conversion and can be fixed on the back of cameras **Mody** or **Matrix** series, or near any **CCTV camera** (in outdoor housings, connector blocks, etc).

CV 01.

Video signal converter from coaxial cable to balanced line (twisted pairs).

Wires

- V (white)** video signal input
- M (green)** video ground
- F (black)** ground
- +H (red)** 12÷21Vdc power supply input (according to the position of jumper J1)

Terminals

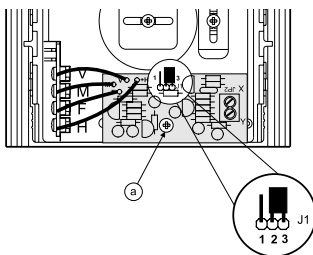
- X** negative balanced video signal output
- Y** positive balanced video signal output

SYSTEMS WITH MODY OR MATRIX CAMERAS

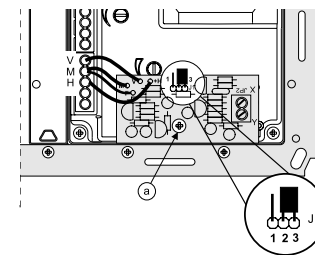
Installation

- Fix the **CV01** board on the back of the housing of the camera with the screw supplied (a).
- Make the connections as shown on the diagram.
- Check that the **jumper J1** is in position 2-3 (power supply = 21Vdc).

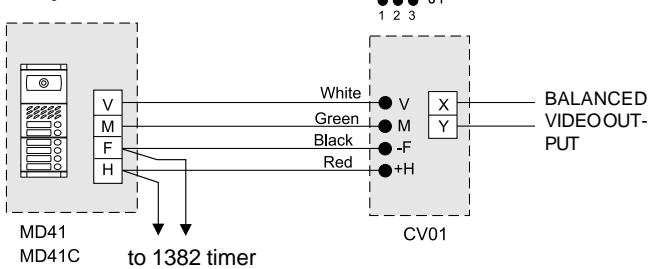
Mody



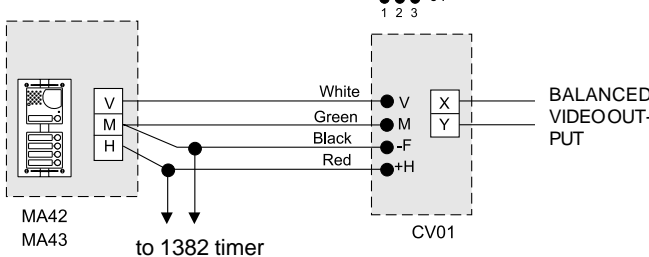
Matrix



Mody



Matrix



SYSTEMS WITH CCTV CAMERAS

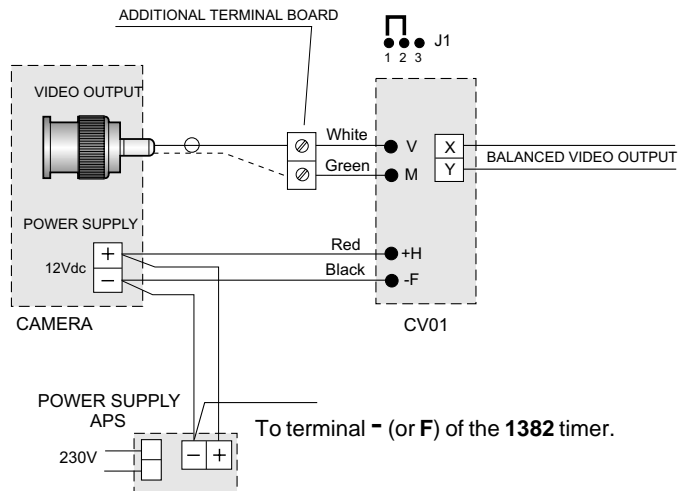
Installation

- Place the **CV01** board in the outdoor housing of the **CCTV** camera or in any other housing.
- Make the connections as shown on the diagram.

Connection with 12Vdc CCTV camera

This type of connection allows for powering the board with the camera power supply.

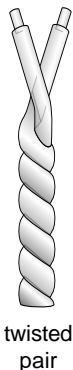
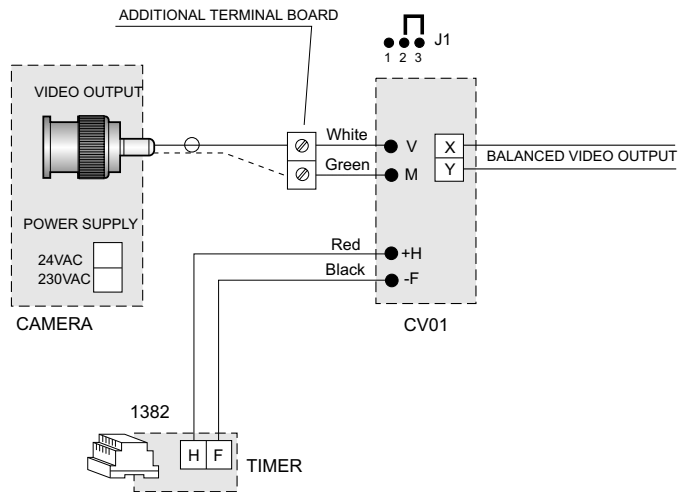
- Move the **jumper J1** from position 2-3 to 1-2 (power supply = 12Vdc).



Connection with 24Vac or 230Vac CCTV camera

This type of connection allows for powering the board in timed mode.

- Check that the **jumper J1** is in position 2-3 (power supply = 21Vdc).



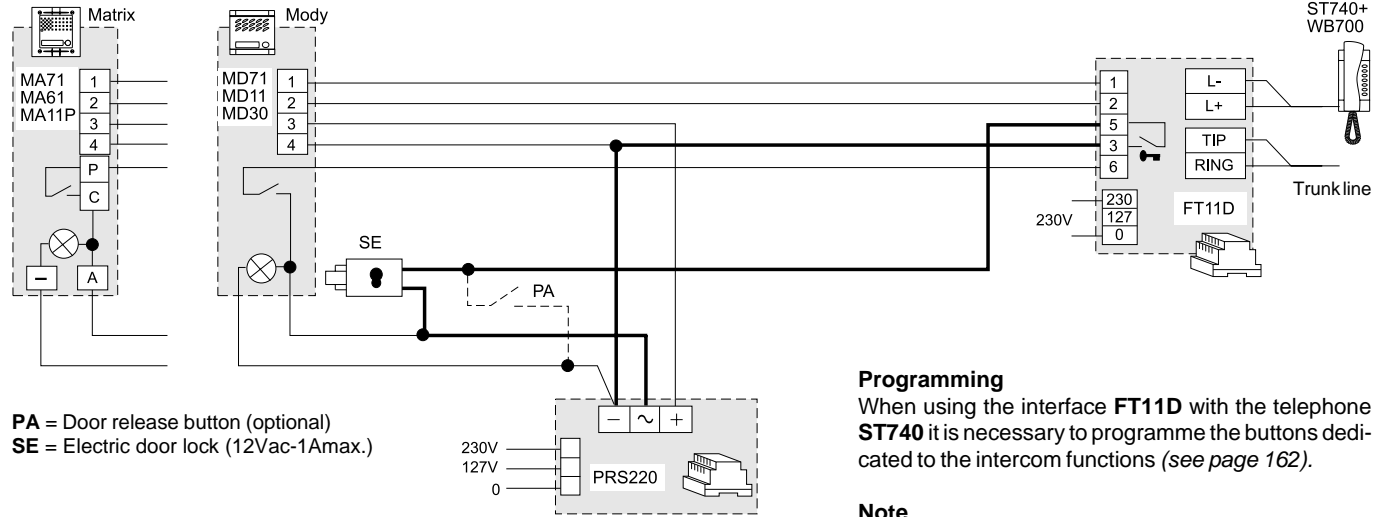
twisted pair



INSTALLATION DIAGRAMS

Si 111T/1

ONE-WAY INTERCOM-TELEPHONE SYSTEM WITH TELEPHONE INTERFACE AND CONNECTION TO ONE EXTERNAL DOOR STATION



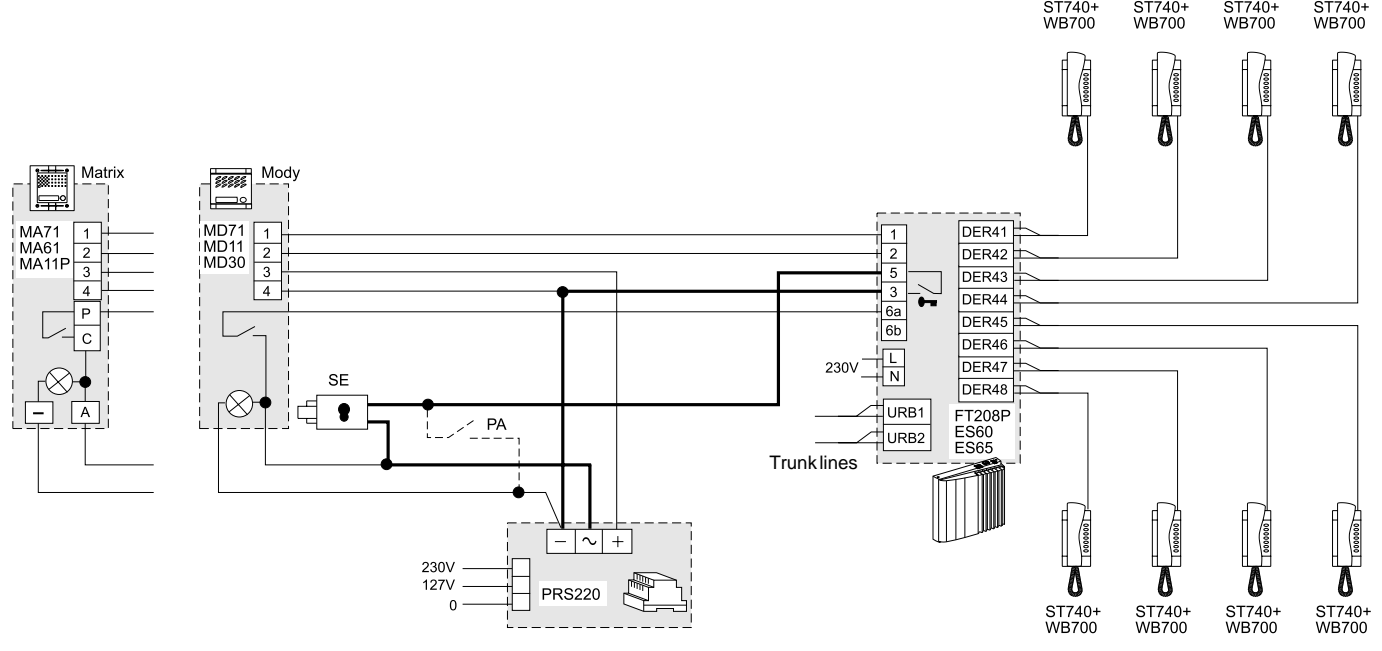
PA = Door release button (optional)
SE = Electric door lock (12Vac-1Amax.)

Programming
 When using the interface **FT11D** with the telephone **ST740** it is necessary to programme the buttons dedicated to the intercom functions (see page 162).

Note
 For wires dimensioning refer to the installation recommendations and table on page 26.

Si 111T/2

ONE-WAY INTERCOM-TELEPHONE INTERCOMMUNICATING SYSTEM WITH PABX AND CONNECTION TO ONE EXTERNAL DOOR STATION



PA = Door release button (optional)
SE = Electric door lock (12Vac-1Amax.)

Note
 For wires dimensioning refer to the installation recommendations and table on page 26.

Programming
 For this type of system the following programming must be **absolutely** carried out on the PABX:
 - enabling the intercom interface
 - enabling to intercom calls
 See page 168.

If the PABX is **only used for the intercommunicating service**, without connection to the public telephone lines (URB1 and URB2), it is necessary to deactivate the incoming and outgoing external lines with the following programming:
 - how to assign incoming external lines
 - how to assign outgoing external lines
 See page 167.



MIXED INTERCOM/TELEPHONE SYSTEM CONNECTED TO ONE EXTERNAL DOOR STATION

Q.ty	Article	Description
...	PT510W *	Project series intercom
...	ST740W	Studio series telephone
...	WB700	Bracket for telephone
...	FT11D	Intercom-telephone interface
...	FT105P-FT208P	PABX
...	ES60-ES65	Intercom-telephone interface for PABX
1	PRS220	Power supply
1	PA **	Door release push-button (optional)
1	SE **	Electric door lock (12VAC-1A)

Door station series Mody (for right item set see on pages 12÷15)

	1 row	2 row	
1	MD71÷74	MD71÷74	Module frames with back box
1	MD10-11-12	MD10-122-124	Modules for electric door speaker
...	MD21 ÷ 24	MD222 ÷ 228	Button modules
...	MD20 - 50	MD20 - 50	Blank and info modules
1	MD82 ÷ 812	MD82 ÷ 812	Hood covers
1	MD92 ÷ 912*	MD92 ÷ 912*	Rain shelters with module frames
1	MD30	MD30	Electric door speaker (amplifier)

Door station series Matrix (for right item set see on pages 20 and 21)

...	MA71÷73	Module frames with back box
1	MA10P-11P-12P	Modules with integrated audio amplifier
...	MA20-22-24	Blank and button modules
...	MA61÷63	Front frames

... Refers to number of users.

* Besides the mentioned model all the intercoms from the **Project, PuntoVirgola, 900** and **700** can be installed.

** Articles not supplied by ACI Farfisa.

(*) Rain shelters are used instead of back boxes and hood covers.

Working instructions. See pages 27, 162 and 168.

Notes

- If the maximum number of extensions is 5, you can use the PABX **FT105P**.
- For the connection of name-plate lamps, read notes 6, 7 and 8 of the installation instructions on page 26.
- For wires dimensioning refer to the installation recommendations and table on page 26.

Programming

When using the telephone interface **FT11D** with the telephone **ST740** it is necessary to programme the buttons dedicated to the intercom functions (see page 162).

When using the PABX, the following programming must be **absolutely** carried out:

- intercom interface activation
 - activation to receive intercom calls
- See page 168.

If the PABX is **only used for the intercommunicating service**, without connection to the public telephone lines (URB1 and URB2), it is necessary to deactivate the incoming and outgoing external lines with the following programming:

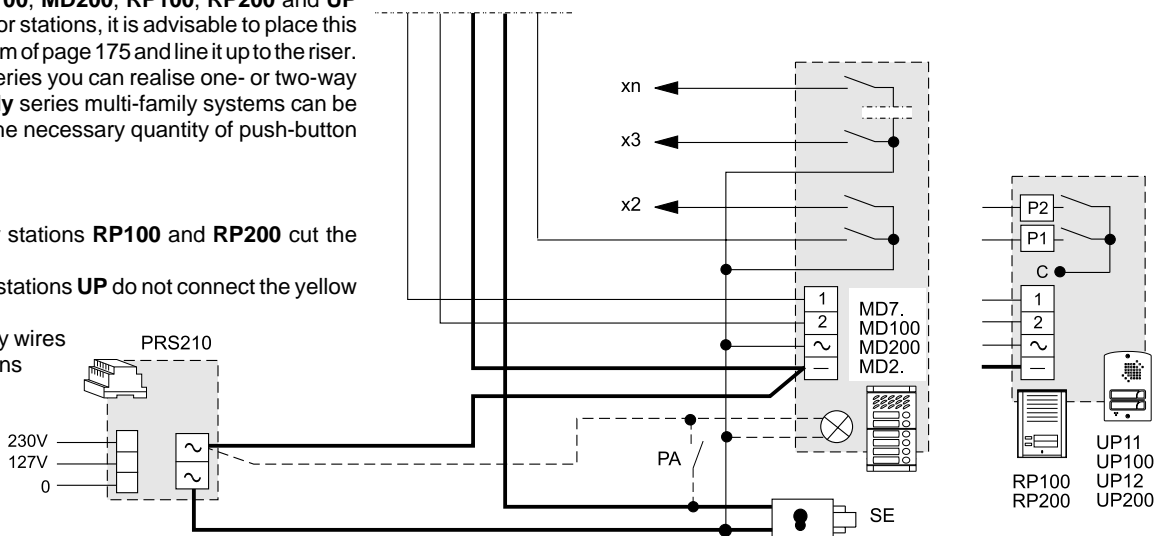
- how to assign incoming external lines
 - how to assign outgoing external lines
- See page 167.

Application diagram notes

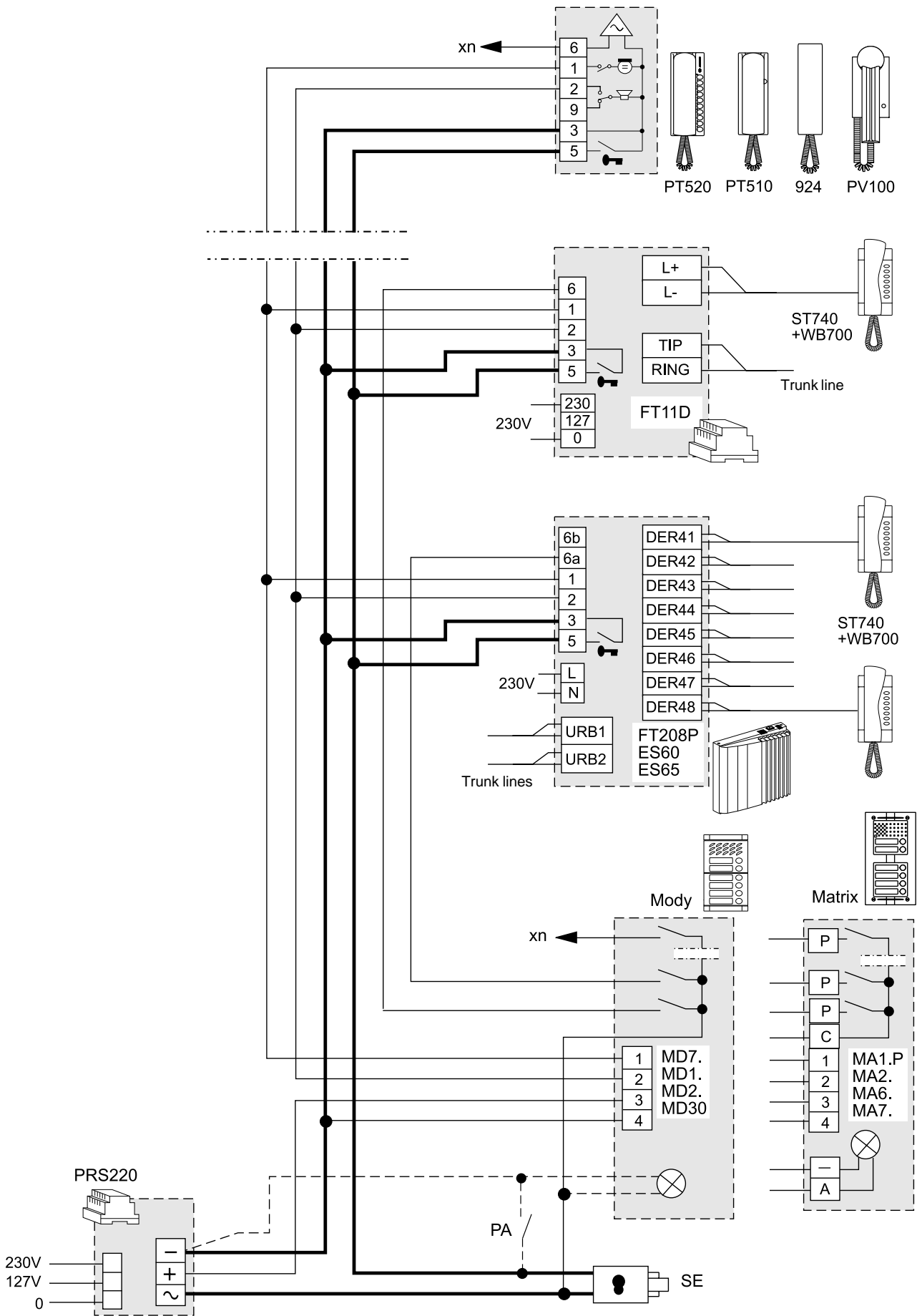
When using the **MD100, MD200, RP100, RP200** and **UP** amplified external door stations, it is advisable to place this diagram on the diagram of page 175 and line it up to the riser. For the **RP** and **UP** series you can realise one- or two-way systems; for the **Mody** series multi-family systems can be obtained by adding the necessary quantity of push-button modules.

Warning.

- In the external door stations **RP100** and **RP200** cut the jumper **W1**.
- In the external door stations **UP** do not connect the yellow wire and insulate it.
- For AC power supply wires refer to the instructions on page 26.

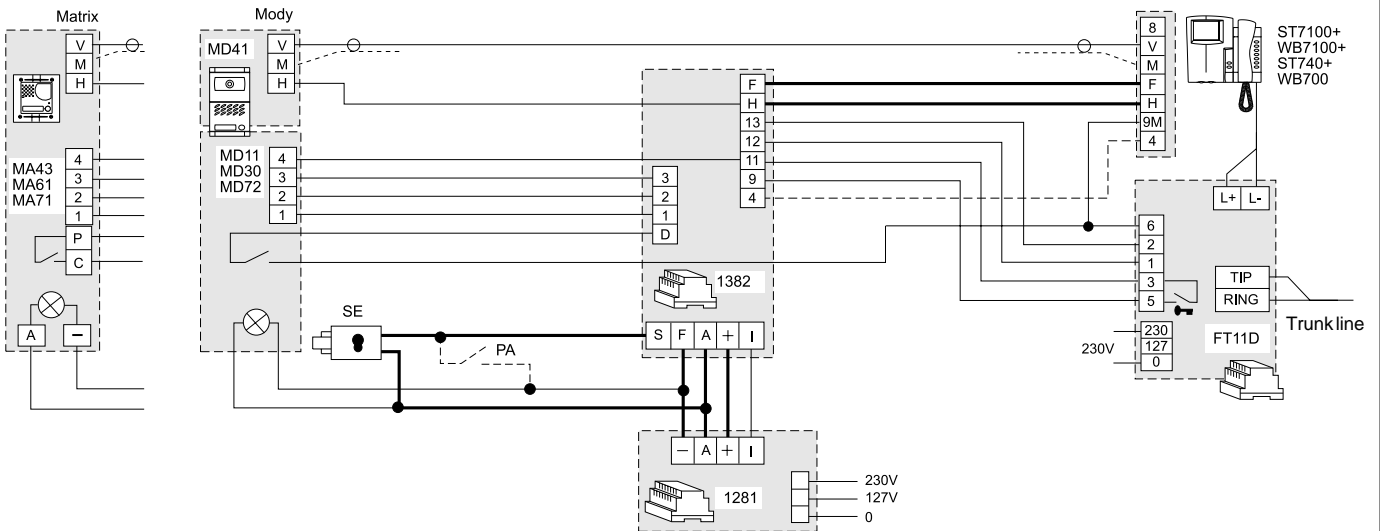


MIXED INTERCOM/TELEPHONE SYSTEM CONNECTED TO ONE EXTERNAL DOOR STATION



Si 311T/1

ONE-WAY VIDEO INTERCOM-TELEPHONE SYSTEM WITH TELEPHONE INTERFACE AND CONNECTION TO ONE EXTERNAL DOOR STATION



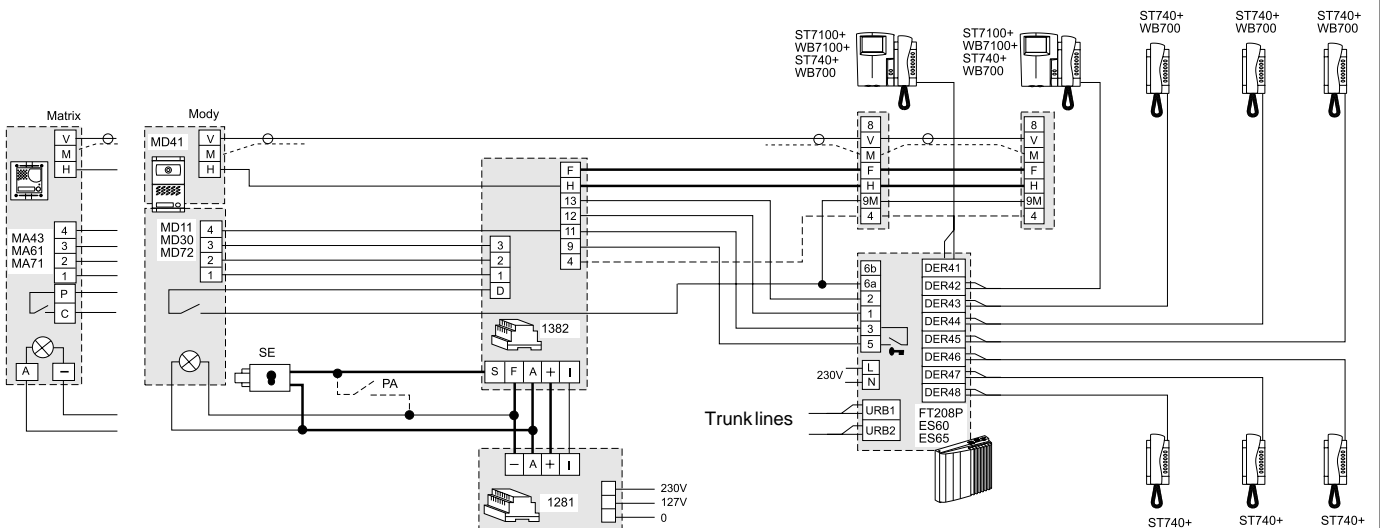
PA = Door release button (optional)
SE = Electric door lock (12Vac-1Amax.)

Note
For wires dimensioning and video connection refer to the installation instructions and table on pages 91÷93.

Programming
When using the telephone interface FT11D with the telephone ST740 it is necessary to programme the buttons dedicated to the intercom functions (see page 162).

Si 311T/2

ONE-WAY VIDEO INTERCOM-TELEPHONE SYSTEM WITH PABX AND CONNECTION TO ONE EXTERNAL DOOR STATION



PA = Door release button (optional)
SE = Electric door lock (12Vac-1Amax.)

Note
For wires dimensioning and video connection refer to the installation instructions and table on pages 91÷93 and read note 3 on page 124.

Programming
For this type of system the following programming must be **absolutely** carried out on the PABX:
- enabling the intercom interface
- enabling to intercom calls
See page 168.

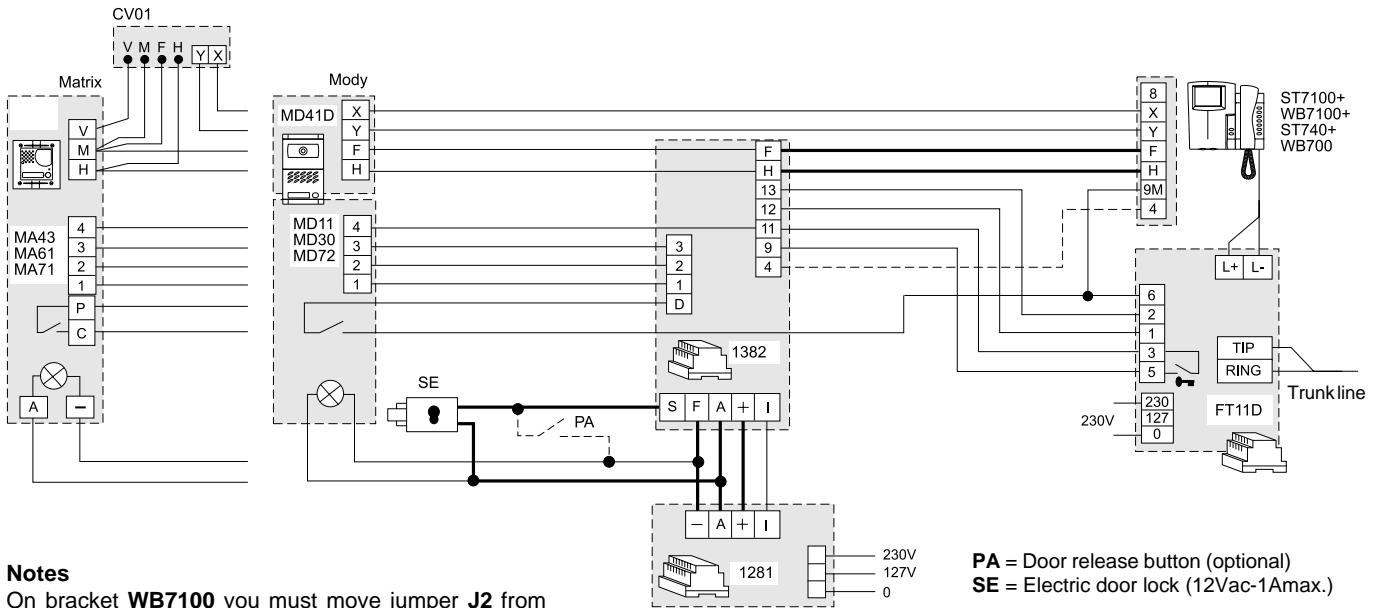
If the PABX is **only used for the intercommunicating service**, without connection to the public telephone lines (URB1 and URB2), it is necessary to deactivate the incoming and outgoing external lines with the following programming:
- how to assign incoming external lines
- how to assign outgoing external lines
See page 167.



coax

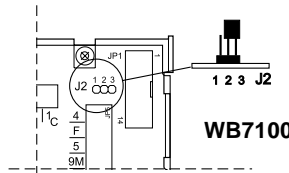


ONE-WAY VIDEO INTERCOM-TELEPHONE SYSTEM WITH TELEPHONE INTERFACE AND CONNECTION TO ONE EXTERNAL DOOR STATION



Notes

On bracket **WB7100** you must move jumper **J2** from position **1-2** to **2-3**.
 For the video connection with twisted pair, use the camera **MD41D** or add the video converter **CV01** (see page 172).
 For wires dimensioning refer to the installation instructions and table on page 91.

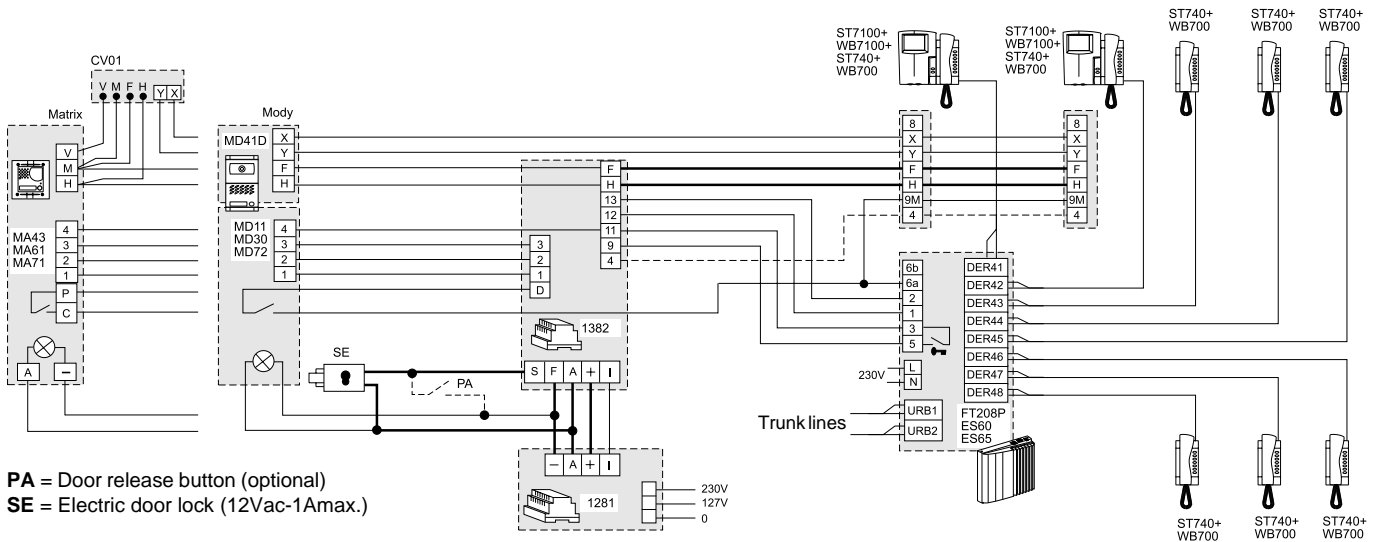


PA = Door release button (optional)
SE = Electric door lock (12Vac-1Amax.)

Programming

When using the telephone interface **FT11D** with the telephone **ST740** it is necessary to programme the buttons dedicated to the intercom functions (see page 162).

ONE-WAY VIDEO INTERCOM-TELEPHONE SYSTEM WITH PABX AND CONNECTION TO ONE EXTERNAL DOOR STATION

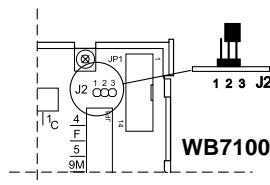


PA = Door release button (optional)
SE = Electric door lock (12Vac-1Amax.)

Notes

With brackets **WB7100** you must:
 - move the **mobile jumper J2** from position **1-2** to **2-3**;
 - **cut** the resistances **R7** and **R10** of the fixing brackets **WB7100**.
 - add **2-75Ω** resistances between terminals **X-F** and **Y-F** of the last monitor.

For the video connection with twisted pair, use the camera **MD41D** or add the video converter **CV01** (see page 172).
 For wires dimensioning refer to the installation instructions and table on page 91.



Programming

For this type of system the following programming must be **absolutely** carried out on the PABX:
 - enabling the intercom interface
 - enabling to intercom calls
 See page 168.

If the PABX is **only used for the intercommunicating service**, without connection to the public telephone lines (URB1 and URB2), it is necessary to deactivate the incoming and outgoing external lines with the following programming:
 - how to assign incoming external lines
 - how to assign outgoing external lines
 See page 167.



twisted pair



MIXED VIDEO INTERCOM / VIDEO INTERCOM-TELEPHONE SYSTEM CONNECTED TO ONE EXTERNAL DOOR STATION

Q.ty	Article	Description
...	PT 5160 + WB 5100	Videointercom FLAT + wall bracket
...	PT 5660 + WB 5600 + 1283	Videointercom + wall bracket + back box
...	PT 5860 + WB 5600	Videointercom reflex + wall bracket
...	PV 1260 + WB1200 + 1283	Videointercom + wall bracket + back box
...	PV 2160 + WB 2100	Videointercom FLAT + wall bracket
...	ST 7100W + WB7100	Studio series monitor + wall bracket
...	ST740W +WB700	Studio series telephone + wall bracket
...	FT11D	Intercom-telephone interface
...	FT105P-FT208P	PABX
...	ES60-ES65	Intercom-telephone interface for PABX
...	DV2-4	Video distributor
1	1281	Power supply
1	1382	Timer
1	PA **	Door release push-button (optional)
1	SE **	Electric door lock (12VAC-1A)

Door station series Mody (for the composition see pages 82÷85)

	1 row	2 row	
1	MD41	MD41	Camera
...	MD72÷74	MD72÷74	Module frames with back box
1	MD10-11-12	MD10-122-124	Modules for electric door speaker
...	MD21 ÷ 24	MD222 ÷ 228	Button modules
...	MD20 - 50	MD20 - 50	Blank and info modules
1	MD82 ÷ 812	MD82 ÷ 812	Hood covers
1	MD92 ÷ 912*	MD92 ÷ 912*	Rain shelters with module frames
1	MD30	MD30	Electric door speaker (amplifier)

Matrix series (for the composition see pages 88÷89)

1	MA42-43	Camera modules with integrated audio amplifier
...	MA20-22-24	Blank and button modules
...	MA61-62-63	Front frames
...	MA71-72-73	Back boxes and module frames

... Refers to number of users.

* Rain shelters are used instead of back boxes and hood covers.

** Articles not supplied by ACI Farfisa.

Working instructions. See pages 94, 162 and 168.

Notes

- If the maximum number of extensions is 5, you can use the PABX **FT105P**.
- For the connection of name plate lamps read notes 6, 7 and 8 of the installation instructions on page 91.
- If the control switching ON is necessary, connect terminal 4 of the timer (dashed wire).
- For wires dimensioning and video connection refer to the installation instructions and table on pages 91÷93.
- For other types of push-button panels see the general catalogue.

Programming

When using the telephone interface **FT11D** with the telephone **ST740** it is necessary to programme the buttons dedicated to the intercom functions (see page 162).

When using the PABX, the following programming must be **absolutely** carried out:

- intercom interface activation
- activation to receive intercom calls

See page 168.

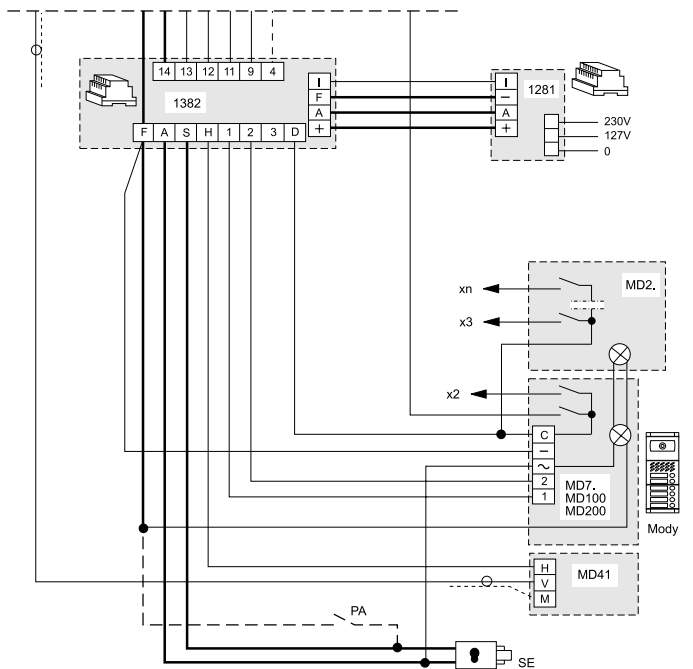
If the PABX is **only used for the intercommunicating service**, without connection to the public telephone lines (URB1 and URB2), it is necessary to deactivate the incoming and outgoing external lines with the following programming:

- how to assign incoming external lines
- how to assign outgoing external lines

See page 167.

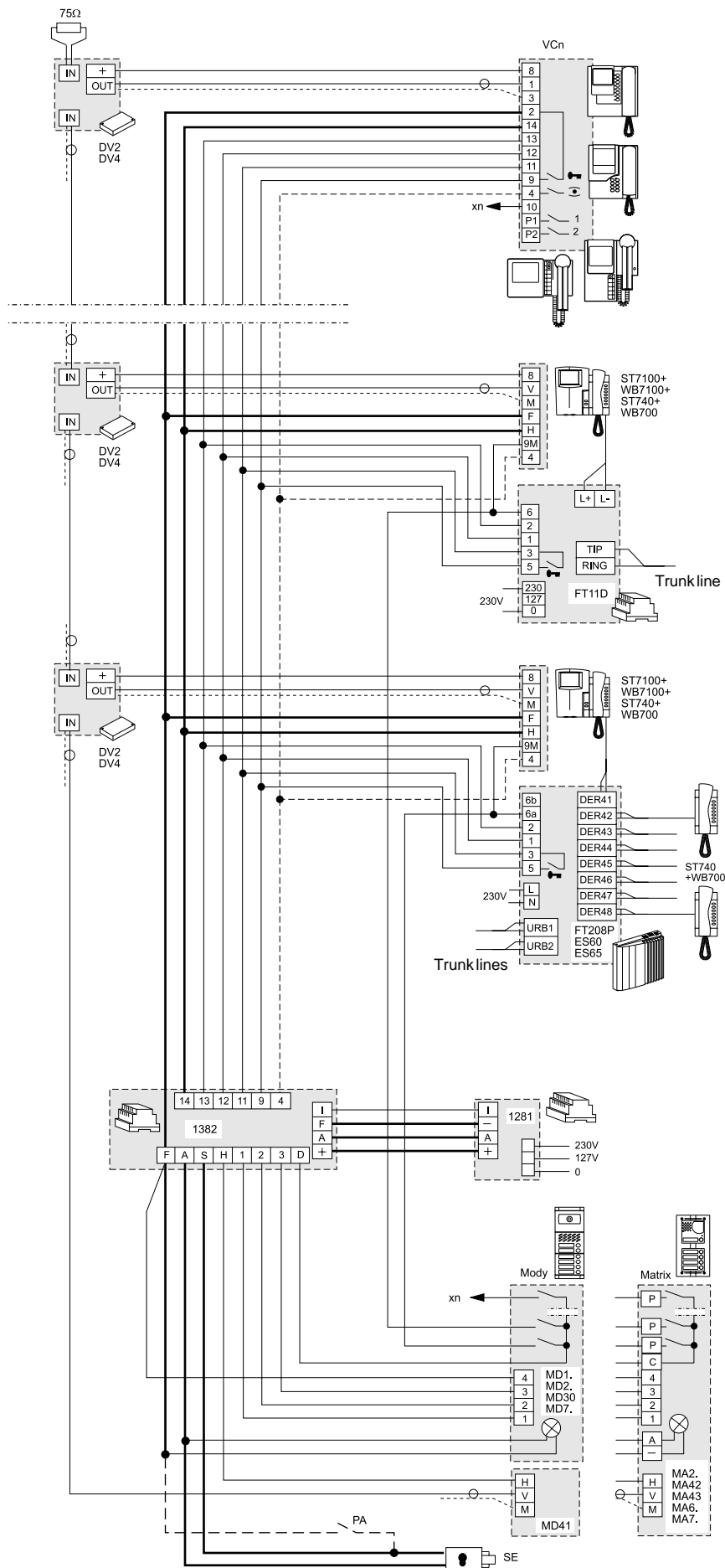
Application diagram

When using **MD100, MD200** amplified external door stations, place this diagram on the diagram on page 179 and line it up with the riser.



MIXED VIDEO INTERCOM / VIDEO INTERCOM-TELEPHONE SYSTEM CONNECTED TO ONE EXTERNAL DOOR STATION

INTERCOMS * VIDEO INTERCOMS * TELECOMMUNICATION



VIDEO INTERCOM-TELEPHONE SYSTEM CONNECTED TO ONE EXTERNAL DOOR STATION

Q.ty	Article	Description
...	ST 7100W + WB7100	Studio series monitor + wall bracket
...	ST740W +WB700	Studio series telephone + wall bracket
...	FT11D	Intercom-telephone interface
...	FT105P-FT208P	PABX
...	ES60-ES65	Intercom-telephone interface for PABX
...	DV2D-4D	Video distributor
1	1281	Power supply
1	1382	Timer
1	PA **	Door release push-button (optional)
1	SE **	Electric door lock (12VAC-1A)

Door station series Mody (for the composition see pages 82÷85)

	1 row	2 row	
1	MD41D	MD41D	Camera
1	MD72÷74	MD72÷74	Module frames with back box
1	MD10-11-12	MD10-122-124	Modules for electric door speaker
...	MD21 ÷ 24	MD222 ÷ 228	Button modules
...	MD20 - 50	MD20 - 50	Blank and info modules
1	MD82 ÷ 812	MD82 ÷ 812	Hood covers
1	MD92 ÷ 912*	MD92 ÷ 912*	Rain shelters with module frames
1	MD30	MD30	Electric door speaker (amplifier)

Matrix series (for the composition see pages 88÷89)

1	MA42-43	Camera modules with integrated audio amplifier
1	CV01	Video signal converter
...	MA20-22-24	Blank and button modules
...	MA61-62-63	Front frames
...	MA71-72-73	Back boxes and module frames

- ... Refers to number of users.
- * Rain shelters are used instead of back boxes and hood covers.
- ** Articles not supplied by ACI Farfisa.

Working instructions. See pages 94, 162 and 168.

Notes

- If the maximum number of extensions is 5, you can use the PABX **FT105P**.
- For the video connection with twisted pair, use the camera **MD41D** or add the video converter **CV01** (see page 172).
- For wires dimensioning refer to the installation instructions and table on page 91.
- For the connection of name plate lamps read notes 6, 7 and 8 of the installation instructions on page 91.
- If the control switching ON is necessary, connect terminal 4 of the timer (dashed wire).
- For other types of push-button panels see the general catalogue.

Programming

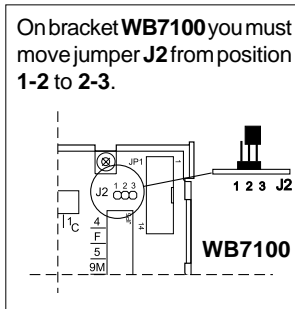
When using the telephone interface **FT11D** with the telephone **ST740** it is necessary to programme the buttons dedicated to the intercom functions (see page 162).

When using the PABX, the following programming must be **absolutely** carried out:

- intercom interface activation
 - activation to receive intercom calls
- See page 168.

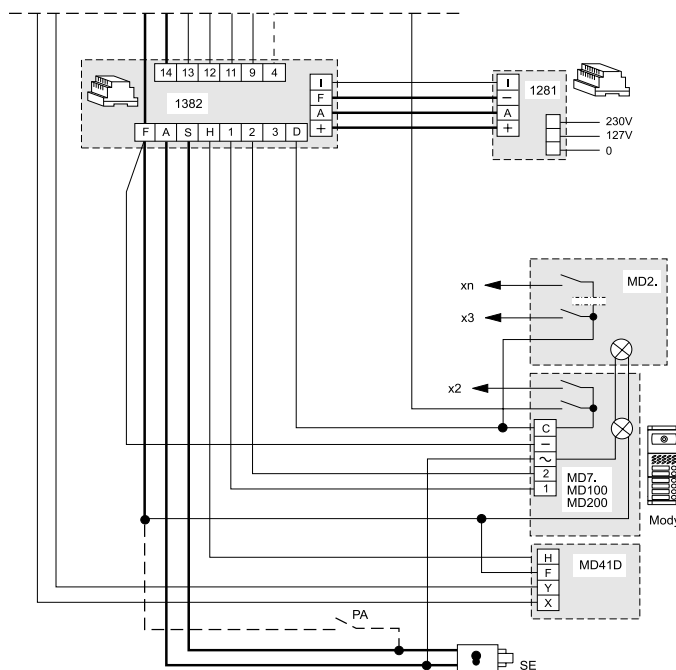
If the PABX is **only used for the intercommunicating service**, without connection to the public telephone lines (URB1 and URB2), it is necessary to deactivate the incoming and outgoing external lines with the following programming:

- how to assign incoming external lines
 - how to assign outgoing external lines
- See page 167.

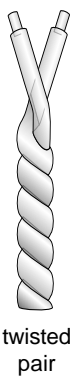
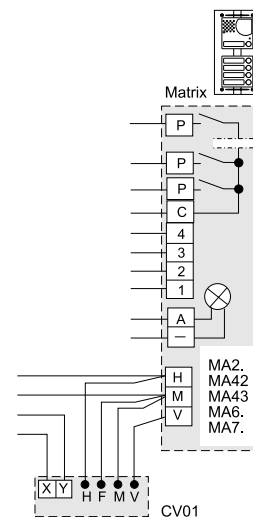
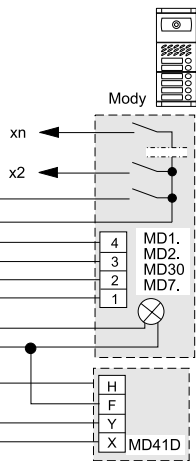
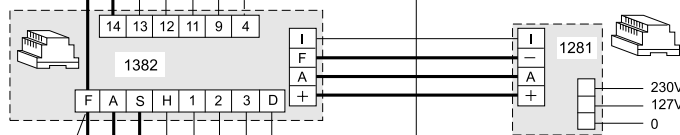
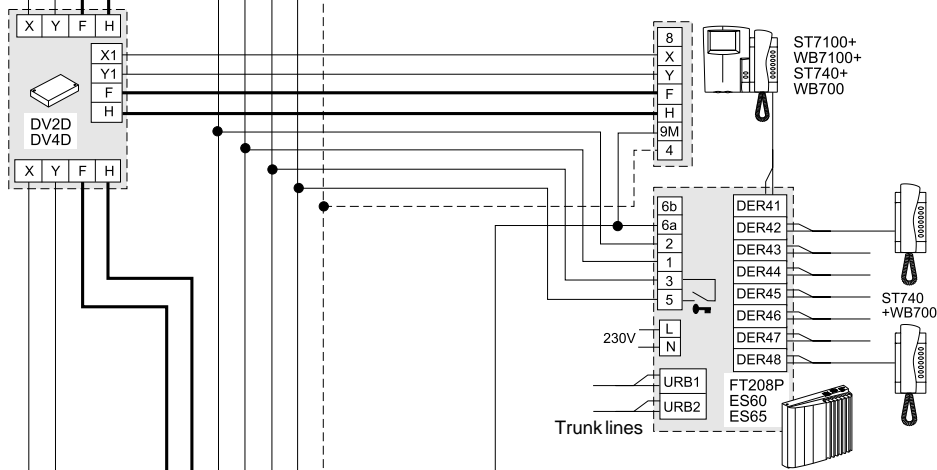
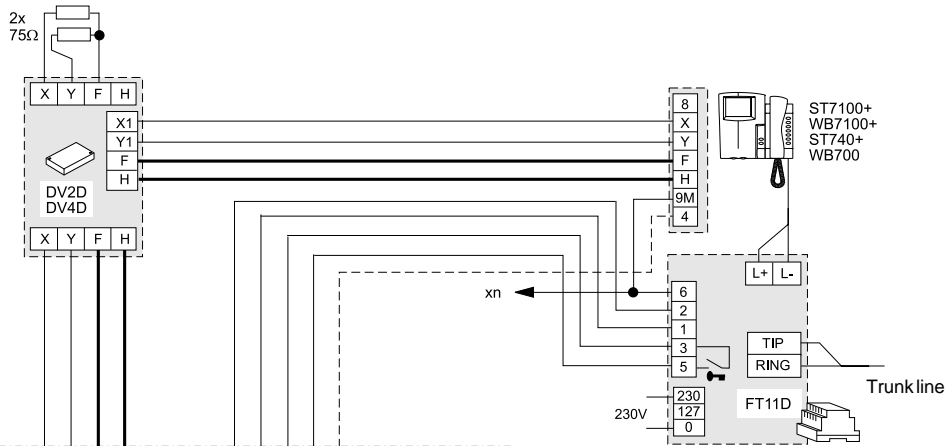


Application diagram

When using **MD100, MD200** amplified external door stations, place this diagram on the diagram on page 181 and line it up with the riser.



VIDEO INTERCOM-TELEPHONE SYSTEM CONNECTED TO ONE EXTERNAL DOOR STATION



VIDEO INTERCOM-TELEPHONE SYSTEM CONNECTED TO TWO EXTERNAL DOOR STATIONS

Q.ty	Article	Description
...	ST 7100W + WB7100	Studio series monitor + wall bracket
...	ST740W +WB700	Studio series telephone + wall bracket
...	FT11D	Intercom-telephone interface
...	FT105P-FT208P	PABX
...	ES60-ES65	Intercom-telephone interface for PABX
...	DV2D-4D	Video distributor
1	1281	Power supply
1	1382	Timer
1	1273TV	Exchanger
2	PA **	Door release push-button (<i>optional</i>)
2	SE **	Electric door lock (12VAC-1A)

Door station series Mody (for the composition see pages 82÷85)

	1 row	2 row	
2	MD41D	MD41D	Camera
...	MD72÷74	MD72÷74	Module frames with back box
2	MD10-11-12	MD10-122-124	Modules for electric door speaker
...	MD21 ÷ 24	MD222 ÷ 228	Button modules
...	MD20 - 50	MD20 - 50	Blank and info modules
2	MD82 ÷ 812	MD82 ÷ 812	Hood covers
2	MD92 ÷ 912*	MD92 ÷ 912*	Rain shelters with module frames
2	MD30	MD30	Electric door speaker (amplifier)

Matrix series (for the composition see pages 88÷89)

2	MA42-43	Camera modules with integrated audio amplifier
2	CV01	Video signal converter
...	MA20-22-24	Blank and button modules
...	MA61-62-63	Front frames
...	MA71-72-73	Back boxes and module frames

... Refers to number of users.

* Rain shelters are used instead of back boxes and hood covers.

** Articles not supplied by ACI Farfisa.

Working instructions. See pages 94, 162 and 168.

Notes

- If the maximum number of extensions is 5, you can use the PABX **FT105P**.
- For the video connection with twisted pair, use the camera **MD41D** or add the video converter **CV01** (see page 172).
- For wires dimensioning refer to the installation instructions and table on page 91.
- For the connection of name plate lamps read notes 6, 7 and 8 of the installation instructions on page 91.
- If the control switching ON is necessary, connect terminal 4 of the timer (dashed wire).
- For other types of push-button panels see the general catalogue.

Programming

When using the telephone interface **FT11D** with the telephone **ST740** it is necessary to programme the buttons dedicated to the intercom functions (see page 162).

When using the PABX, the following programming must be **absolutely** carried out:

- intercom interface activation
- activation to receive intercom calls

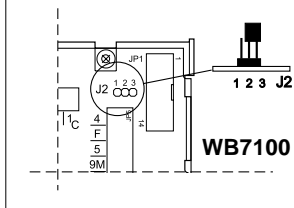
See page 168.

If the PABX is **only used for the intercommunicating service**, without connection to the public telephone lines (URB1 and URB2), it is necessary to deactivate the incoming and outgoing external lines with the following programming:

- how to assign incoming external lines
- how to assign outgoing external lines

See page 167.

On bracket **WB7100** you must move jumper **J2** from position **1-2** to **2-3**.

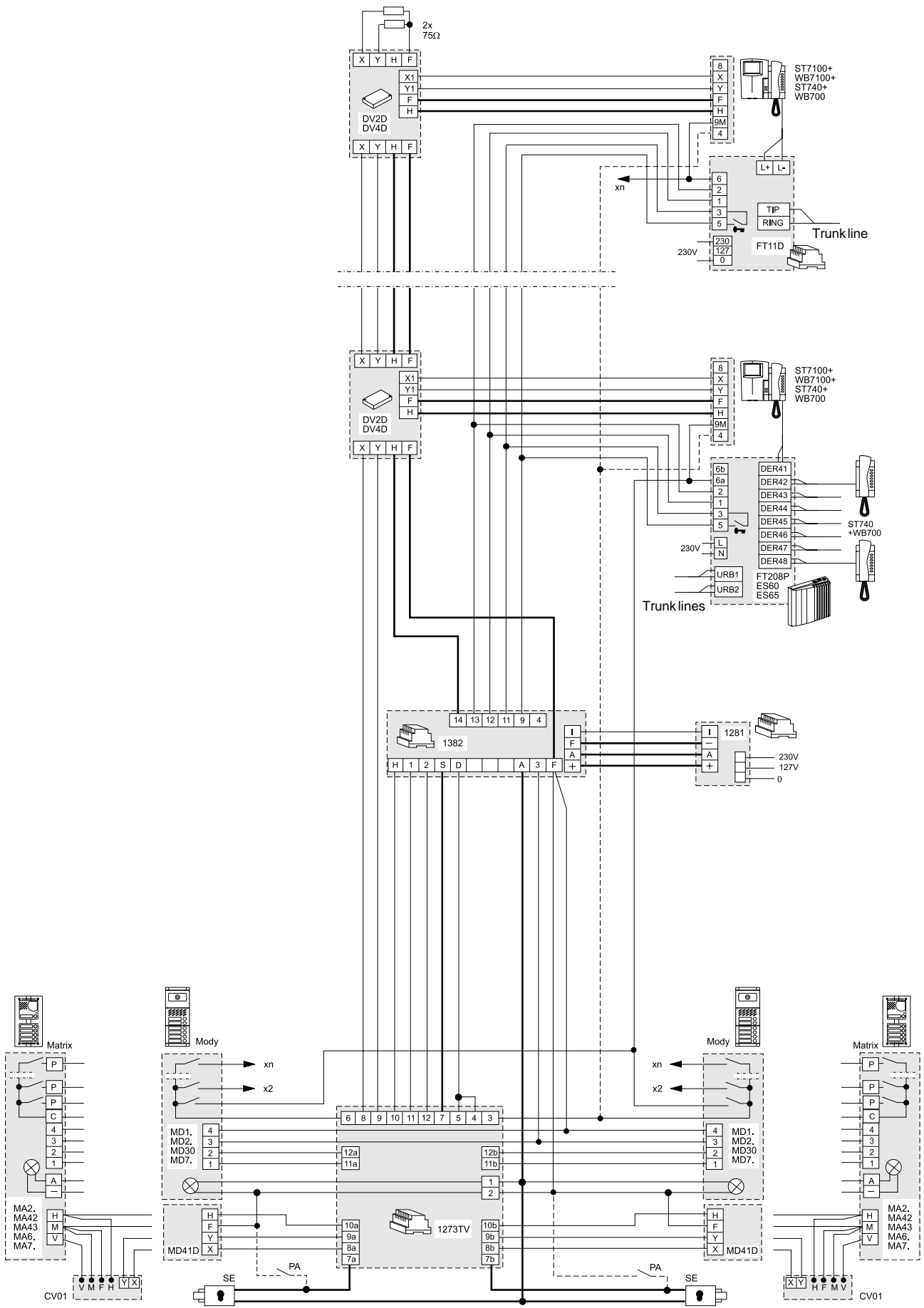


twisted pair



VIDEO INTERCOM-TELEPHONE SYSTEM CONNECTED TO TWO EXTERNAL DOOR STATIONS

INTERCOMS * VIDEO INTERCOMS * TELECOMMUNICATION



twisted pair

Si 312T/1

TWO-WAY VIDEO INTERCOM-TELEPHONE INTERCOMMUNICATING SYSTEM WITH PABX CONNECTED TO ONE EXTERNAL DOOR STATION

Q.ty	Article	Description
4	ST 7100W	Studio series monitor
4	WB7100	Bracket for monitor
8	ST740W	Studio series telephone
8	WB700	Bracket for telephone
1	FT208P	PABX
1	ES60-ES65	Intercom-telephone interface for PABX
1	DV2	Video distributor
1	1281	Power supply
1	1382	Timer
1	PA **	Door release push-button (<i>optional</i>)
1	SE **	Electric door lock (12VAC-1A)

Door station series Mody

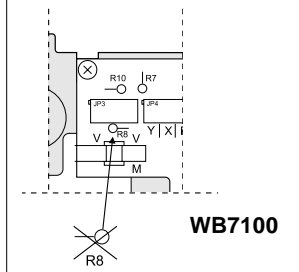
1	MD72	Module frames with back box
1	MD12	Module for electric door speaker
1	MD82	Hood cover
1	MD92*	Rain shelter with module frames
1	MD30	Electric door speaker (amplifier)
1	MD41	Camera

Door station series Matrix

1	MA42	Camera module with integrated audio amplifier
1	MA22	Button modules
1	MA62	Front frame
1	MA72	Back box and module frames

- * Rain shelter is use instead of back box and hood cover.
- ** Articles not supplied by ACI Farfisa.

Cut the resistance R8 on the bracket of monitors VC1 and leave it on the bracket of monitors VC2.



Notes

- If the maximum number of extensions is 5, you can use the PABX **FT105P**.
- For the connection of name plate lamps read notes 6, 7 and 8 of the installation instructions on page 91.
- If the control switching ON is necessary, connect terminal 4 of the timer (dashed wire).
- For wires dimensioning and video connection refer to the installation instructions and table on pages 91÷93.

Programming

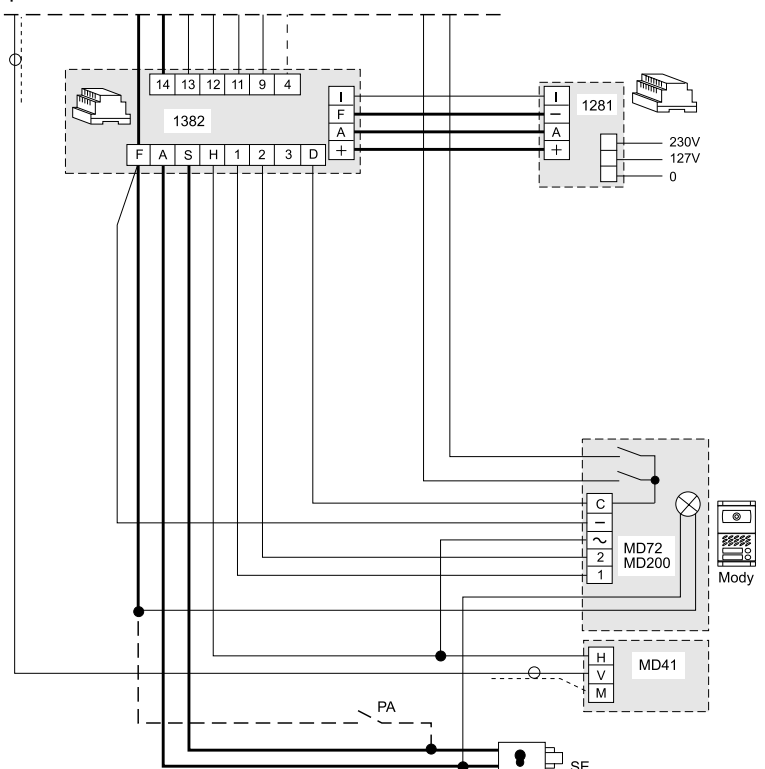
When using the PABX, the following programming must be **absolutely** carried out:

- intercom interface activation
- activation to receive intercom calls
- how to assign incoming external lines
- how to assign outgoing external lines

See pages 167 and 168.

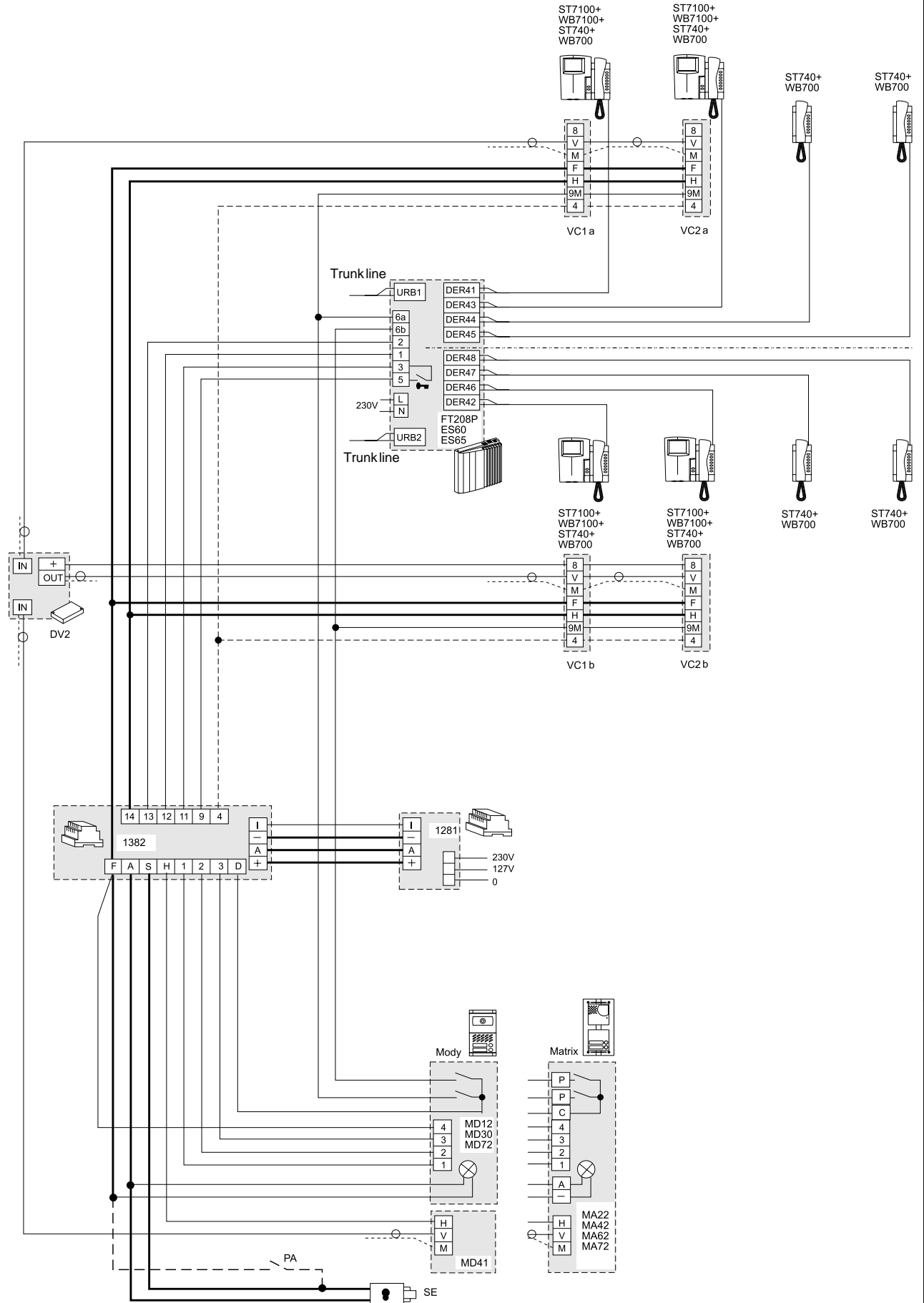
Application diagram

When using **MD200** amplified external door stations, place this diagram on the diagram on page 185 and line it up with the riser.



TWO-WAY VIDEO INTERCOM-TELEPHONE INTERCOMMUNICATING SYSTEM WITH PABX CONNECTED TO ONE EXTERNAL DOOR STATION

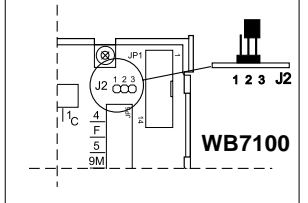
INTERCOMS * VIDEO INTERCOMS * TELECOMMUNICATION



TWO-WAY VIDEO INTERCOM-TELEPHONE INTERCOMMUNICATING SYSTEM WITH PABX CONNECTED TO ONE EXTERNAL DOOR STATION

Q.ty	Article	Description
4	ST 7100W	Studio series monitor
4	WB7100	Bracket for monitor
8	ST740W	Studio series telephone
8	WB700	Bracket for telephone
1	FT208P	PABX
1	ES60-ES65	Intercom-telephone interface for PABX
1	DV2D	Video distributor
1	1281	Power supply
1	1382	Timer
1	PA **	Door release push-button (optional)
1	SE **	Electric door lock (12VAC-1A)

On bracket **WB7100** you must move jumper **J2** from position 1-2 to 2-3.



Door station series Mody

1	MD72	Module frames with back box
1	MD12	Module for electric door speaker
1	MD82	Hood cover
1	MD92*	Rain shelter with module frames
1	MD30	Electric door speaker (amplifier)
1	MD41D	Camera

Door station series Matrix

1	MA42	Camera module with integrated audio amplifier
1	CV01	Video signal converter
1	MA22	Button modules
1	MA62	Front frame
1	MA72	Back box and module frames

* Rain shelter is use instead of back box and hood cover.
 ** Articles not supplied by ACI Farfisa.

Notes

- If the maximum number of extensions is 5, you can use the PABX **FT105P**.
- For the video connection with twisted pair, use the camera **MD41D** or add the video converter **CV01** (see page 172).
- For wires dimensioning refer to the installation instructions and table on page 91.
- For the connection of name plate lamps read notes 6, 7 and 8 of the installation instructions on page 91.
- If the control switching ON is necessary, connect terminal 4 of the timer (dashed wire).

Programming

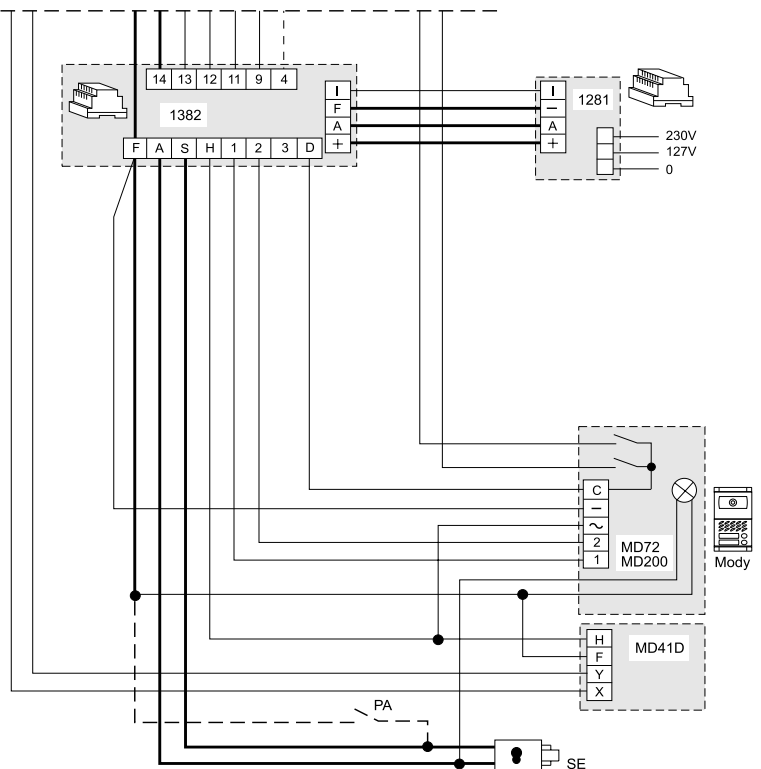
When using the PABX, the following programming must be **absolutely** carried out:

- intercom interface activation
- activation to receive intercom calls
- how to assign incoming external lines
- how to assign outgoing external lines

See pages 167 and 168.

Application diagram

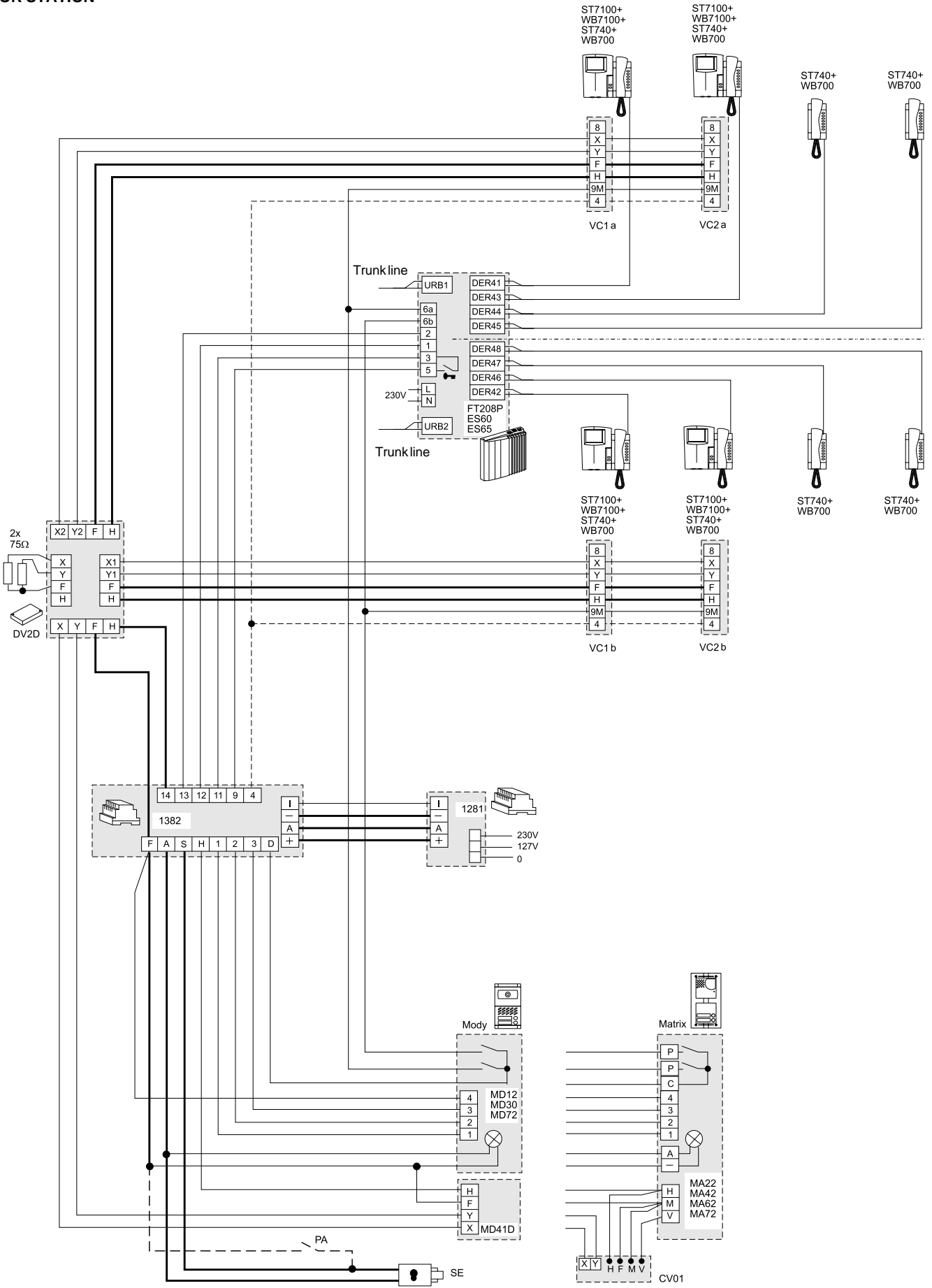
When using **MD200** amplified external door stations, place this diagram on the diagram on page 187 and line it up with the riser.



twisted pair



TWO-WAY VIDEO INTERCOM-TELEPHONE INTERCOMMUNICATING SYSTEM WITH PABX CONNECTED TO ONE EXTERNAL DOOR STATION



INTERCOMS * VIDEO INTERCOMS * TELECOMMUNICATION

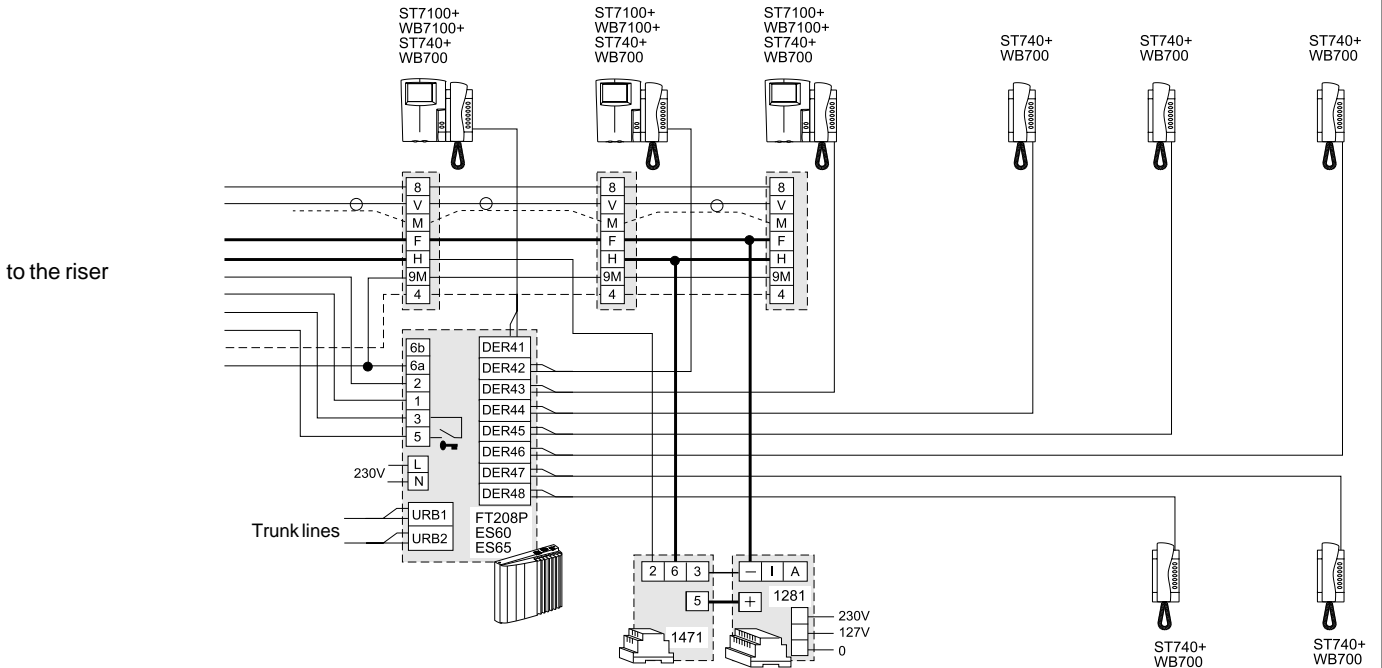


VIDEO INTERCOM-TELEPHONE additional diagrams

INTERCOMS * VIDEO INTERCOMS * TELECOMMUNICATION

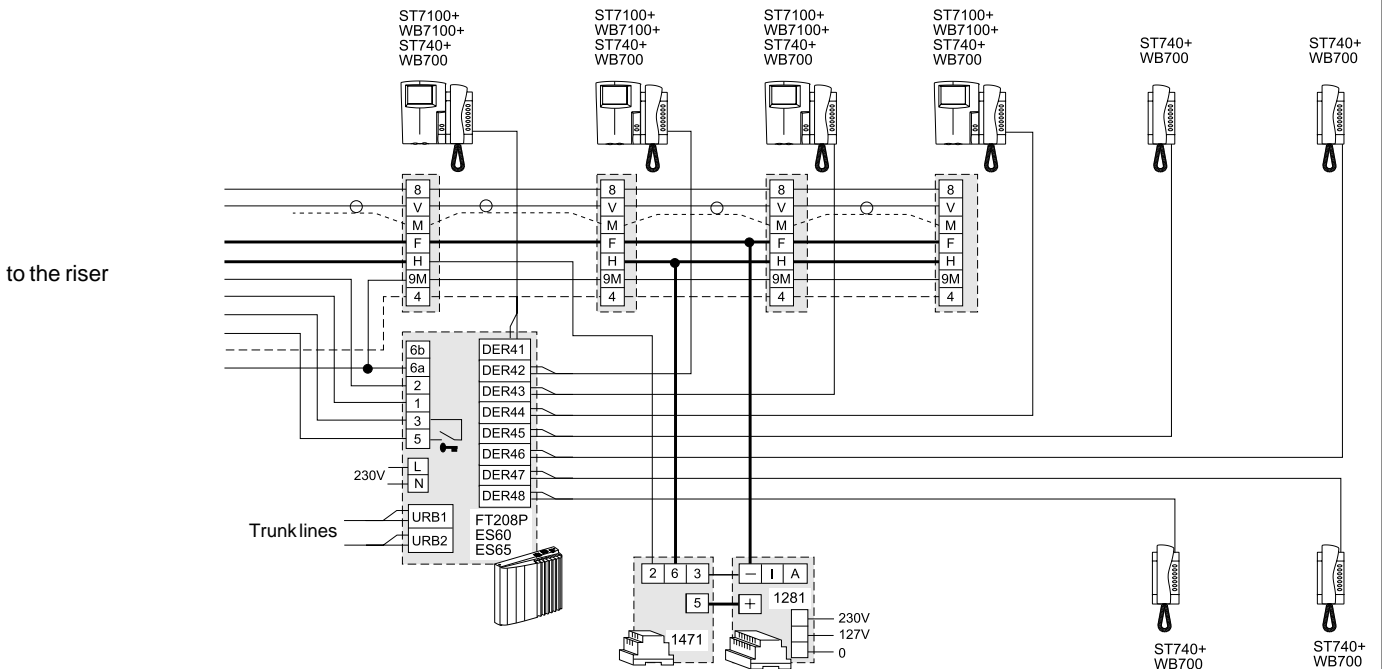
Note: the extension diagrams of these 2 pages can be applied to all video intercom installation diagrams with video connection with **coaxial cable**.

1 PABX, 3 VIDEO INTERCOM-TELEPHONE SETS AND 5 INTERCOMMUNICATING TELEPHONES



Note
If the video system is realized with coaxial cable connected in serial mode (input and output from the video intercom), you must **cut the 75Ω resistance R8** of the bracket **WB7100** and leave it only on the last video intercom.

1 PABX, 4 VIDEO INTERCOM-TELEPHONE SETS AND 4 INTERCOMMUNICATING TELEPHONES



Note
If the video system is realized with coaxial cable connected in serial mode (input and output from the video intercom), you must **cut the 75Ω resistance R8** of the bracket **WB7100** and leave it only on the last video intercom.

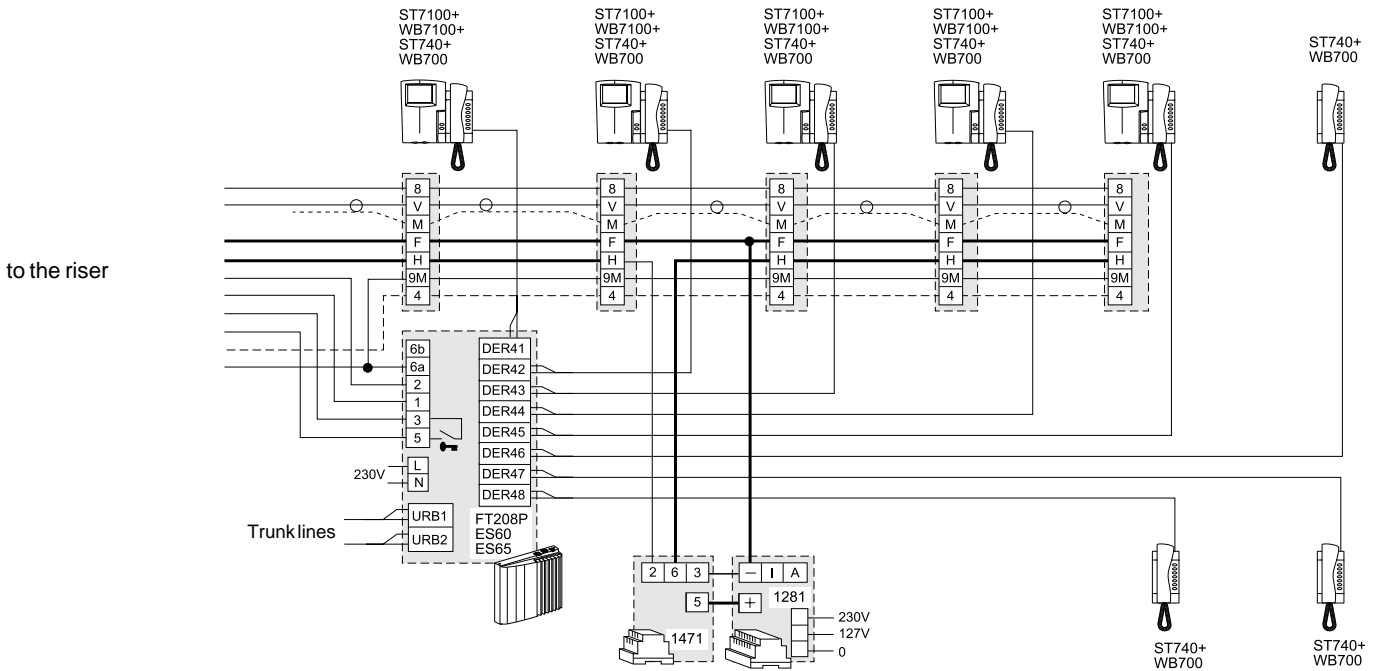


coax



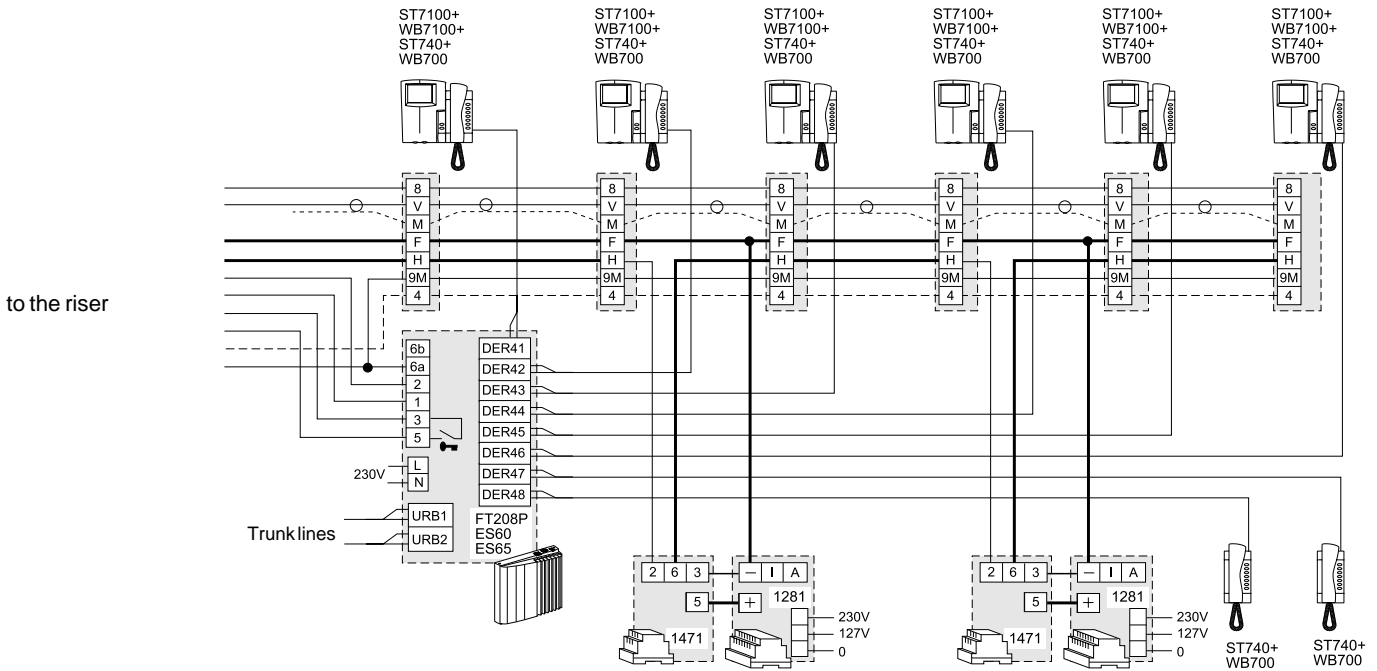
VIDEO INTERCOM-TELEPHONE additional diagrams

1 PABX, 5 VIDEO INTERCOM-TELEPHONE SETS AND 3 INTERCOMMUNICATING TELEPHONES



Note
 If the video system is realized with coaxial cable connected in serial mode (input and output from the video intercom), you must cut the 75Ω resistance R8 of the bracket WB7100 and leave it only on the last video intercom.

1 PABX, 6 VIDEO INTERCOM-TELEPHONE SETS AND 2 INTERCOMMUNICATING TELEPHONES



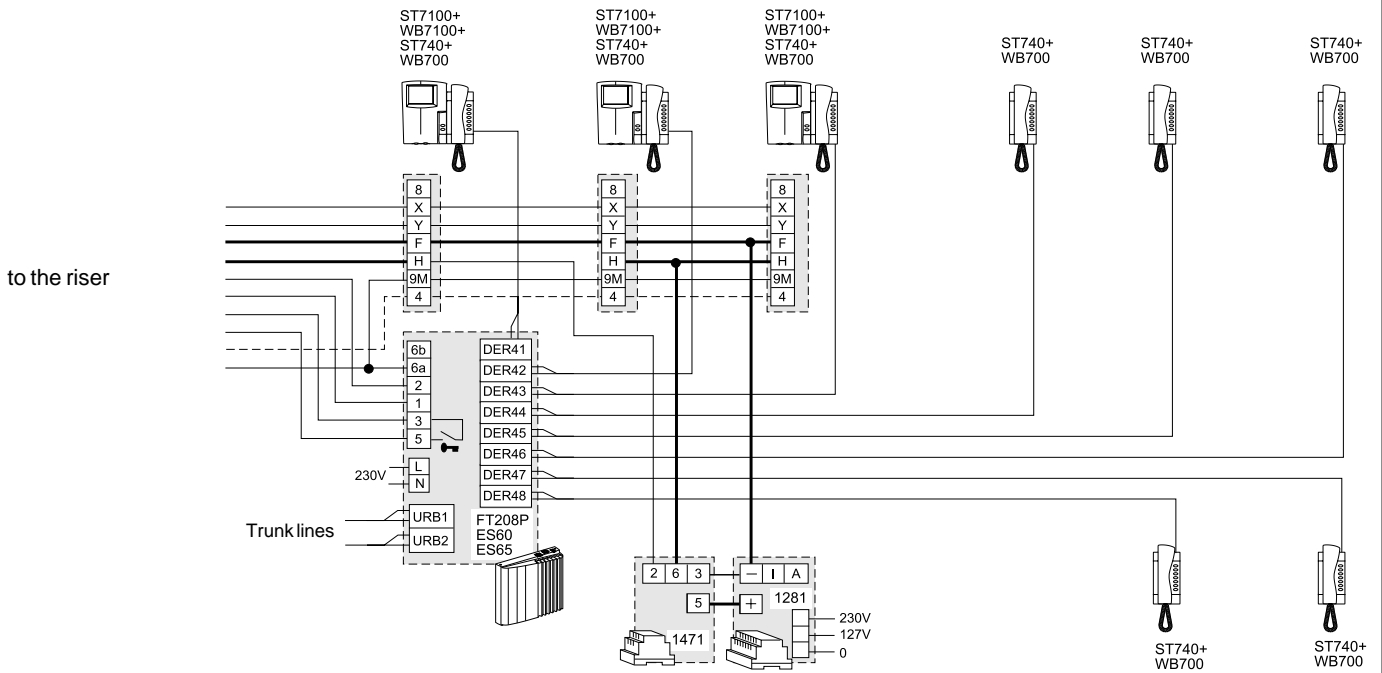
Note
 If the video system is realized with coaxial cable connected in serial mode (input and output from the video intercom), you must cut the 75Ω resistance R8 of the bracket WB7100 and leave it only on the last video intercom.



VIDEO INTERCOM-TELEPHONE additional diagrams

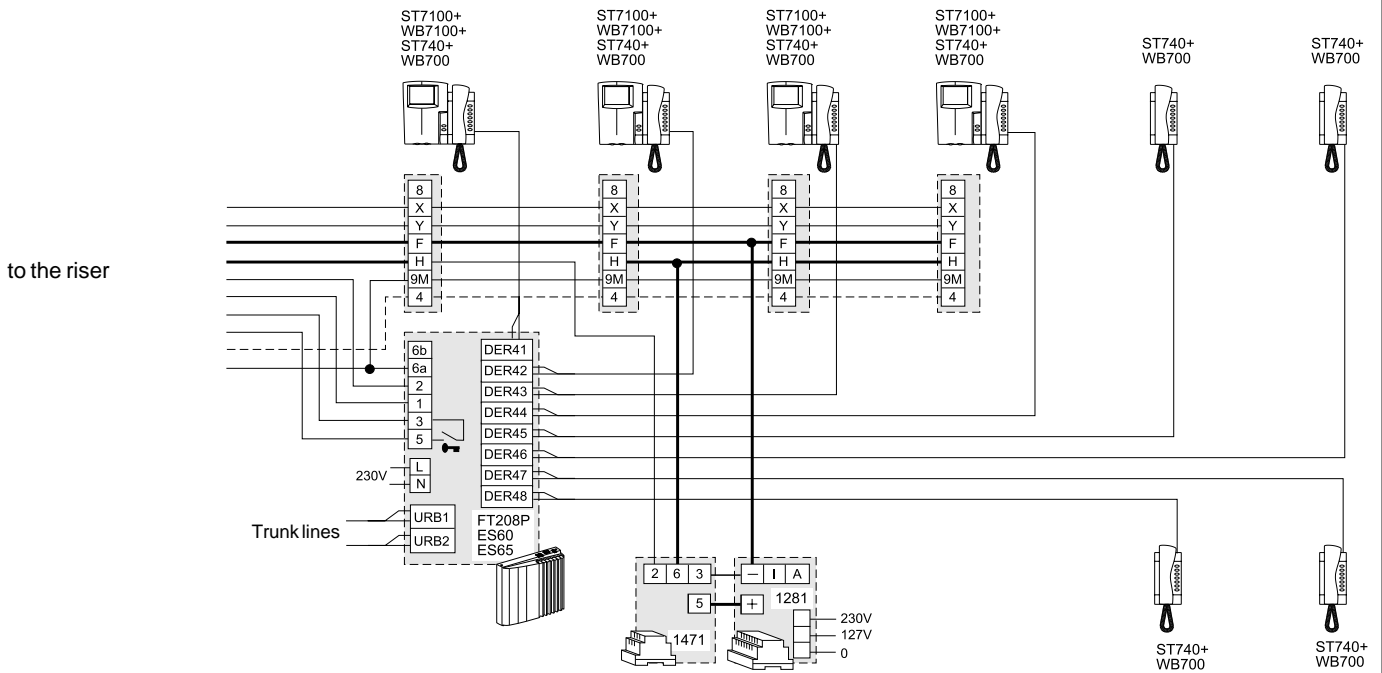
Note: the extension diagrams of these 2 pages can be only applied to Si311T/4, Si31MT/2 and Si32MT/1 installation diagrams (page 177, 181 and 183, respectively) because of the video connection with **twisted pair**.

1 PABX, 3 VIDEO INTERCOM-TELEPHONE SETS AND 5 INTERCOMMUNICATING TELEPHONES



Note
On bracket **WB7100** you must move jumper **J2** from position **1-2** to **2-3**.

1 PABX, 4 VIDEO INTERCOM-TELEPHONE SETS AND 4 INTERCOMMUNICATING TELEPHONES



Note
On bracket **WB7100** you must move jumper **J2** from position **1-2** to **2-3**.



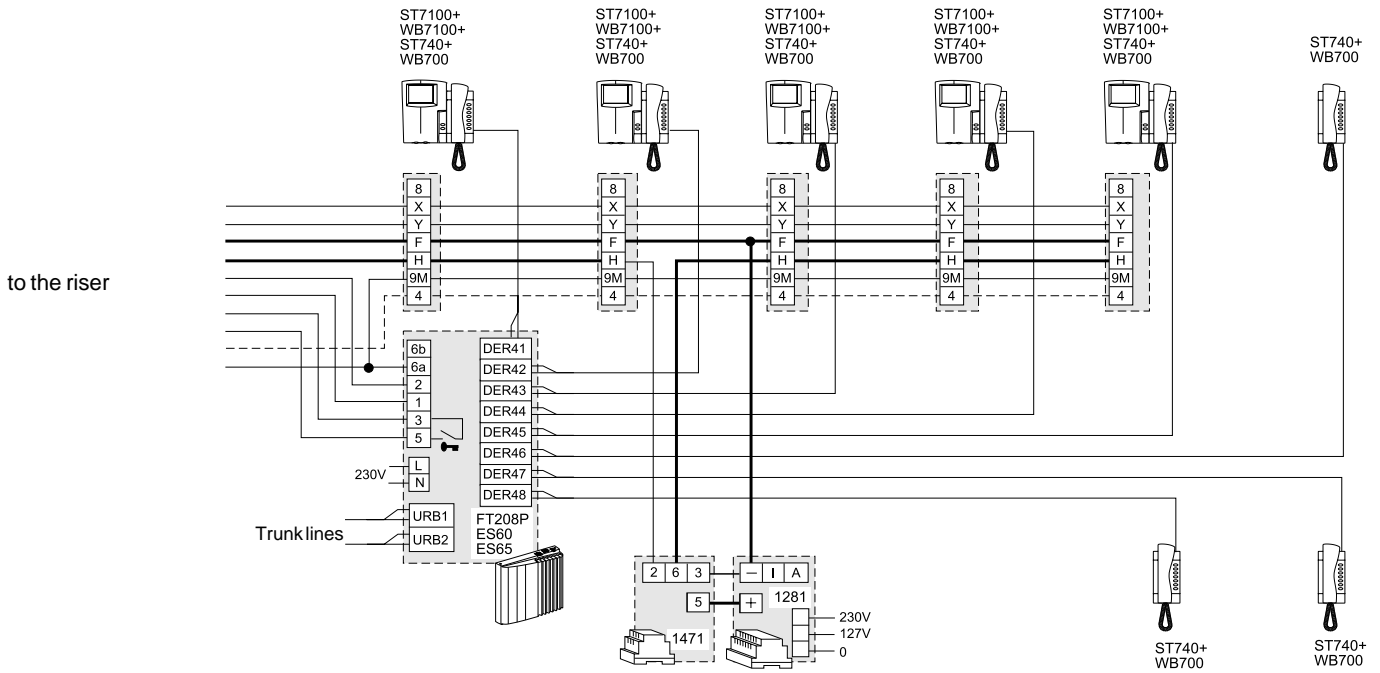
twisted pair



VIDEO INTERCOM-TELEPHONE additional diagrams

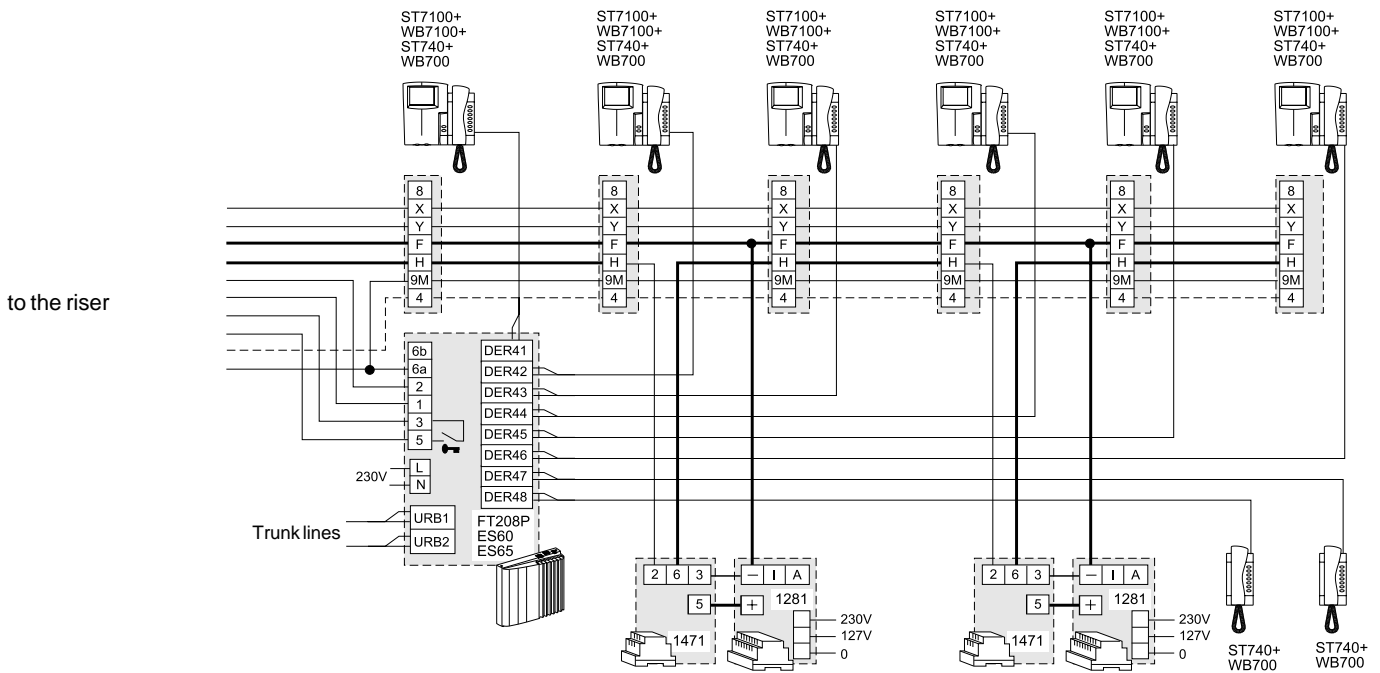
INTERCOMS * VIDEO INTERCOMS * TELECOMMUNICATION

1 PABX, 5 VIDEO INTERCOM-TELEPHONE SETS AND 3 INTERCOMMUNICATING TELEPHONES



Note
On bracket **WB7100** you must move jumper **J2** from position 1-2 to 2-3.

1 PABX, 6 VIDEO INTERCOM-TELEPHONE SETS AND 2 INTERCOMMUNICATING TELEPHONES



Note
On bracket **WB7100** you must move jumper **J2** from position 1-2 to 2-3.



PRODUCT LIST

List of article that can be used in electronic call systems with page reference.

Article	Description	Page ref.	Article	Description	Page ref.
337C	Electric door-speaker for ErreP/R push-button panel	22	MD912	Rain shelter for 12 modules (3 frames with 4 modules)	7
476	5-output video distributor	93	MD100	Amplified door station with 1 push-button	9
910W	White open-voice intercom Slim series	6	MD122	Module for door speaker with 2 push-buttons, 2 row	8
924W	White intercom Slim series	6	MD124	Module for door speaker with 4 push-buttons, 2 row	8
1273TV	7-contact exchanger	91	MD200	Amplified door station with 2 push-buttons	9
1281	Video power supply	90	MD222	Button module with 2 push-buttons, 2 row	8
1283	Back box for PT5660 and PV1260	75	MD224	Button module with 4 push-buttons, 2 row	8
1304	Video intercom cable with 10 wires + coaxial	96	MD226	Button module with 6 push-buttons, 2 row	8
1382	Audio-video timer	90	MD228	Button module with 8 push-buttons, 2 row	8
1443E	Intercommunicating module	90	PR1	Protection for 1 telephone line	163
1471	Relay unit	25	PR2	Protection for 2 telephone lines	163
1471E	Relay unit	25	PRAL	Protection for electrical line	163
1472	2-contact relay unit	25	PRS210	Transformer 13Vac - 15VA	24
1473	4-contact exchanger	25	PRS220	Intercom power supply 6Vdc/13Vac - 15VA	24
2443	Audio-relay amplifier	90	PRS226	Power supply-switcher for intercommunicating 18VA	24
CV01	Video signal converter	172	PRS226E	Power supply-switcher for intercommunicating 18VA	24
DV2	2-output video distributor	92	PRS235	Power supply for private conversation 18VA	24
DV2D	2-output video distributor	96	PRS240	Power supply with electronic ringing 7Vdc/13Vac - 18VA	24
DV4	4-output video distributor	92	PT501	Single button unit for PT520,N,W	4
DV4D	4-output video distributor	96	PT502	LED module for PT520,N,W	4
ES60	Intercom interface with 2 relays for FT105P and FT208P	167	PT510	Bicolour intercom Project series	5
ES65	Intercom interface with 4 relays for FT105P and FT208P	167	PT510N	Beige intercom Project series	5
ES70	Caller identifier board for FT105P and FT208P	166	PT510W	White intercom Project series	5
FC52P	Access control keypad	9	PT515	Switch module for PT520,N,W	4
FP52	Proximity reader	9	PT520	Bicolour extendable intercom Project series	4
FT11D	Intercom-telephone interface	162	PT520W	White extendable intercom Project series	4
FT105P	PABX with 1 trunk line / 5 internal lines	164	PT524W	White intercom with carbon microphone	5
FT208P	PABX with 2 trunk lines / 8 internal lines	164	PT538	Desk adapter for intercom Project series	5
MA10P	Module with integrated audio and without buttons; Matrix ser.	17	PT5160	Two colour Flat videointercom Project series	72
MA11P	Module with integrated audio and with 1 button; Matrix ser.	17	PT5160W	White Flat videointercom Project series	72
MA12P	Module with integrated audio and with 2 buttons; Matrix ser.	17	PT5160W-LCD	Colour Flat videointercom Project series. White colour	72
MA20	Blank module; Matrix series	17	PT5660W	White videointercom Project series	74
MA22	Module with 2 call buttons; Matrix series	17	PT5860	Two colour reflex videointercom Project series	76
MA24	Module with 4 call buttons; Matrix series	17	PT5860W	White reflex videointercom Project series	76
MA42	Camera module; Matrix series	86	PV100	Bicolour intercom Puntovirgola series	6
MA42C	Colour camera module; Matrix series	86	PV100W	White intercom Puntovirgola series	6
MA43	Camera module; Matrix series	86	PV1260	Two colour videointercom PuntoVirgola series	79
MA43C	Colour camera module; Matrix series	86	PV2160	Two colour Flat videointercom PuntoVirgola series	78
MA61	Front frame for 1 module; Matrix series	16	PV2160W	White Flat videointercom PuntoVirgola series	78
MA62	Front frame for 2 modules; Matrix series	16	R8	Push-button panel with 8 buttons ErreP/R series	22
MA63	Front frame for 3 modules; Matrix series	16	R10	Push-button panel with 10 buttons ErreP/R series	22
MA71	Back box with frames for 1 module; Matrix series	16	R12	Push-button panel with 12 buttons ErreP/R series	22
MA72	Back box with frames for 2 modules; Matrix series	16	R14	Push-button panel with 14 buttons ErreP/R series	22
MA73	Back box with frames for 3 modules; Matrix series	16	RL36	Relay module for intercoms Project series	4
MD10	Module for door speaker without push-buttons; Mody series	8	RL37	Relay module	91
MD11	Module for door speaker with 1 push-button; Mody series	8	RP1	Push-button panel with 1 button ErreP/R series	22
MD12	Module for door speaker with 2 push-buttons; Mody series	8	RP2	Push-button panel with 2 buttons ErreP/R series	22
MD20	Blank module; Mody series	8	RP4	Push-button panel with 4 buttons ErreP/R series	22
MD21	Button module with 1 push-button; Mody series	8	RP6	Push-button panel with 6 buttons ErreP/R series	22
MD22	Button module with 2 push-buttons; Mody series	8	RP8	Push-button panel with 8 buttons ErreP/R series	22
MD23	Button module with 3 push-buttons; Mody series	8	RP10	Push-button panel with 10 buttons ErreP/R series	22
MD24	Button module with 4 push-buttons; Mody series	8	RP12	Push-button panel with 12 buttons ErreP/R series	22
MD30	Electric door speaker; Mody series	8	RP100	Amplified door station with 1 push-button	22
MD41	Camera module; Mody series	81	RP200	Amplified door station with 2 push-buttons	22
MD41C	Colour camera module; Mody series	81	SM50	Private conversation module for intercom Project	5
MD41D	Camera module; Mody series	86	SR40	Electronic bell module for intercom Project	5
MD50	Street number module; Mody series	8	SR41	Electronic buzzer module for intercom Project	5
MD71	Back box with frames for 1 module; Mody series	7	ST740W	White telephone Studio series	150
MD72	Back box with frames for 2 modules; Mody series	7	ST7100W	White Flat monitor Studio series	154
MD73	Back box with frames for 2 modules; Mody series	7	ST7100CW	Colour Flat monitor Studio series. White colour	154
MD74	Back box with frames for 2 modules; Mody series	7	ST7M32W	32-image video memory for Studio series	160
MD81	Hood cover for 1 module; Mody series	7	TA700W	Desk adapter for ST740W telephone Studio series	150
MD82	Hood cover for 2 modules; Mody series	7	TA5160	Desk adapter for PT5160W videointercom	73
MD83	Hood cover for 3 modules; Mody series	7	TA7100W	Desk adapter for ST7100W monitor Studio series	154
MD84	Hood cover for 4 modules (2 frames with 2 modules)	7	UP11	Amplified door station with 1 push-button, flush mounted	23
MD804	Hood cover for 4 modules (1 frame with 4 modules)	7	UP12	Amplified door station with 2 push-buttons, flush mounted	23
MD86	Hood cover for 6 modules (2 frames with 3 modules)	7	UP100	Amplified door station with 1 push-button, surface mounted	23
MD808	Hood cover for 8 modules (2 frames with 4 modules)	7	UP200	Amplified door station with 1 push-button, surface mounted	23
MD89	Hood cover for 9 modules (3 frames with 3 modules)	7	WB700	Wall bracket for ST740W telephone Studio series	150
MD812	Hood cover for 12 modules (3 frames with 4 modules)	7	WB1200	Wall bracket for PV1260 videointercom; for 2 push-buttons	80
MD91	Rain shelter for 1 module; Mody series	7	WB1260	Wall bracket for PV1260 videointercom; for addit. buttons	80
MD92	Rain shelter for 2 modules; Mody series	7	WB2100	Wall bracket for PV2160 videointercom; for 2 push-buttons	78
MD93	Rain shelter for 3 modules; Mody series	7	WB2160	Wall bracket for PV2160 videointercom; for addit. buttons	78
MD94	Rain shelter for 4 modules (2 frames with 2 modules)	7	WB5100	Wall bracket for PT5160 videointercom; for 2 push-buttons	72
MD904	Rain shelter for 4 modules (1 frame with 4 modules)	7	WB5160	Wall bracket for PT5160 videointercom; for addit. buttons	72
MD96	Rain shelter for 6 modules (2 frames with 3 modules)	7	WB5600	Bracket for PT5660, PT5860 videointercoms; for 2 buttons	74
MD908	Rain shelter for 8 modules (2 frames with 4 modules)	7	WB5660	Bracket for PT5660,5860 videointercoms; for add. buttons	74
MD99	Rain shelter for 9 modules (3 frames with 3 modules)	7	WB7100	Wall bracket for ST7100W monitor	154



Due to continuous technological evolution ACI FARFISA reserves the right to modify the products, technical specifications and installation diagrams contained in this manual at any time without prior notice.
The diagrams and information contained in this manual have been carefully verified and are to be considered as reliable. However, ACI FARFISA is not responsible for any errors, inaccuracies or infringements to patents and third-party rights that may arise from using this manual.