

connections from door panel to handset

CABLE SIZE REQUIREMENTS FOR 3 + 1 SYSTEMS				
CONNECTIONS	50M	100M	200M	400M
1	0.25mm <sup>2</sup>	0.35mm <sup>2</sup>	0.5mm <sup>2</sup>	0.75mm <sup>2</sup>
2	0.25mm <sup>2</sup>	0.35mm <sup>2</sup>	0.5mm <sup>2</sup>	0.75mm <sup>2</sup>
3	0.25mm <sup>2</sup>	0.35mm <sup>2</sup>	0.5mm <sup>2</sup>	0.75mm <sup>2</sup>
4	0.25mm <sup>2</sup>	0.35mm <sup>2</sup>	0.5mm <sup>2</sup>	0.75mm <sup>2</sup>

whenever possible connection 1 (TX) should be twisted with connection 3 (GND) and connection 2 (RX) should be twisted with connection 3 (GND) as pairs. maximum acceptable resistance for above cables is = 3Ω.

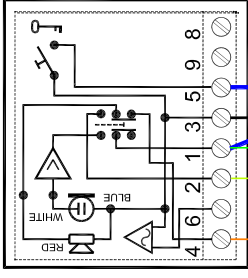
connections from door panel to handset

CABLE SIZE REQUIREMENTS FOR 3 + 1 SYSTEMS				
CONNECTIONS	50M	100M	200M	400M
1	0.5mm	0.75mm	1.5mm	2.5mm

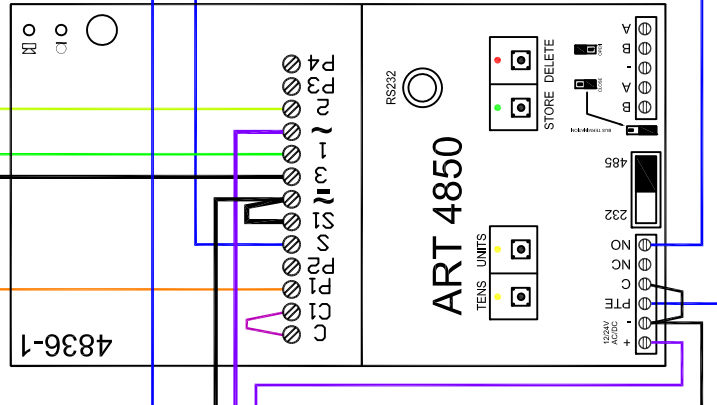
The power supply should be located as close as possible to the door panel for best performance. maximum acceptable resistance for above cables = 3Ω.

(PHONE 1)

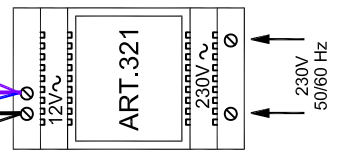
3011, 3111, 924E



3  
1  
2  
4+n



4836-1



VIDEX SECURITY LTD

TECHNICAL HELP: TEL: 0191 224 3174  
FAX: 0191 224 4938

EMAIL: tech@videx-security.com

DATE: 15/07/09 INITIAL: PN REF: XK4K-1

DESCRIPTION: XK4K/J WITH EXTRA 3011 PHONE