

TECHNICAL INSTALLATION MANUAL

OPERATOR FOR SECTIONAL AND COUNTERWEIGHT GARAGE DOORS

UTILE



WARNING!! Before installing, thoroughly read this manual that is an integral part of the pack

Our products if installed by qualified personnel capable to evaluate risks, comply with norms UNI EN 12453, EN 12445



The CE mark conforms to European directive
EEC 89/336 + 92/31 + 93/68 D.L. 04/12/1992 N. 476.

INDEX

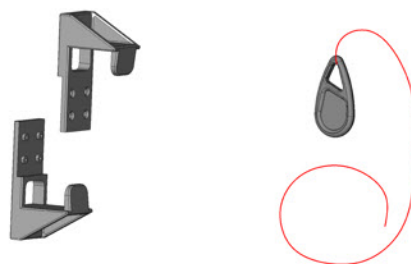
	Pag.
PACKING CONTENTS	2
VIEW OF TYPICAL AUTOMATION AND NAMES OF COMPONENTS	3
DIMENSIONS	4
TECHNICAL DATA	4
CONSIDERATIONS FOR INSTALLATION	4
INSTALLATION	5-6-7-8-9
TROUBLESHOOTING	10
SAFETY PRECAUTIONS	11

PACKING CONTENTS

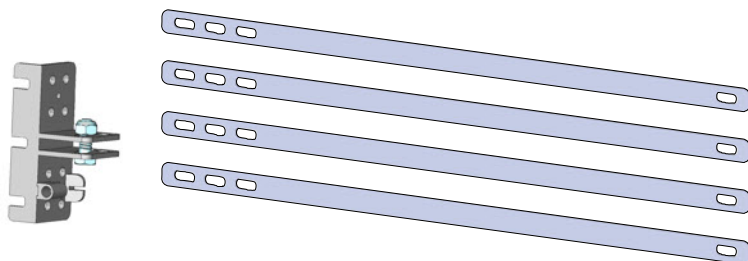
1- Operator with control unit



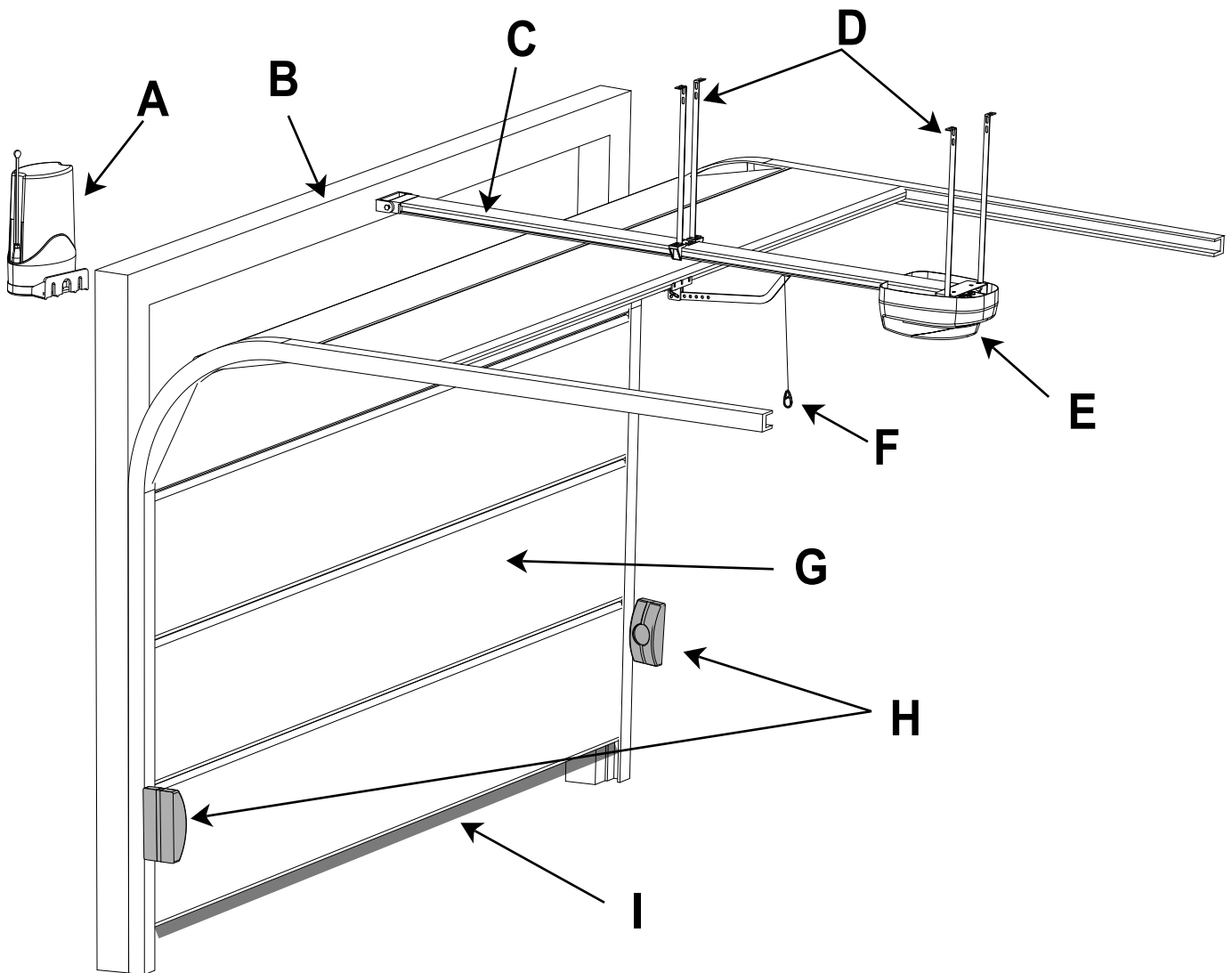
1- Mounting accessory kit



1- Guide with pre-mounted chain

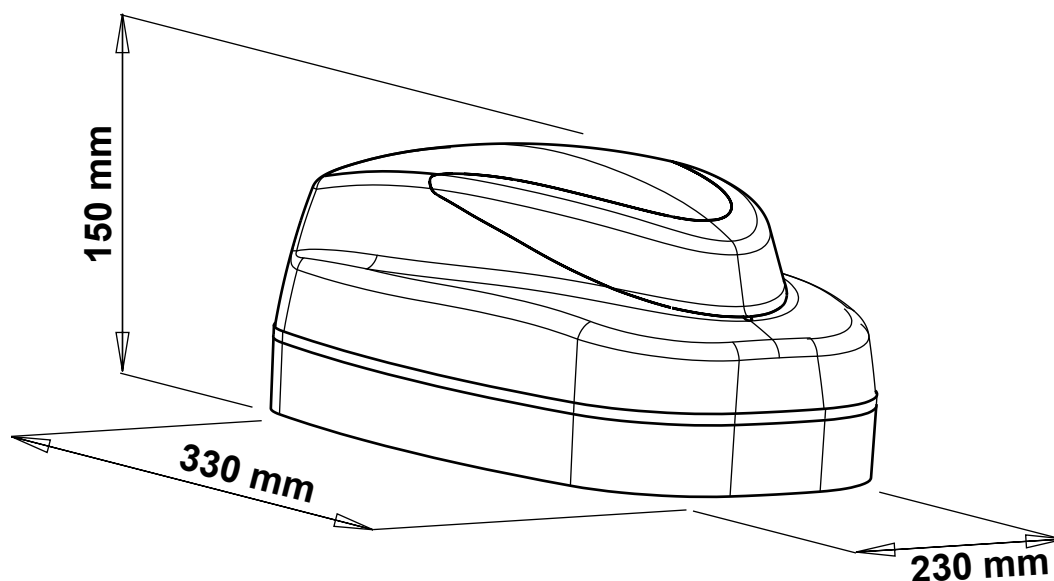


VIEW OF TYPICAL AUTOMATION AND NAMES OF COMPONENTS



- A** = Flashing light
- B** = Door frame
- C** = Pulling guide
- D** = Fixing brackets
- E** = Operator with control unit
- F** = Manual release
- G** = Door
- H** = Photocells
- I** = Rubber edge

DIMENSIONS



TECHNICAL DATA

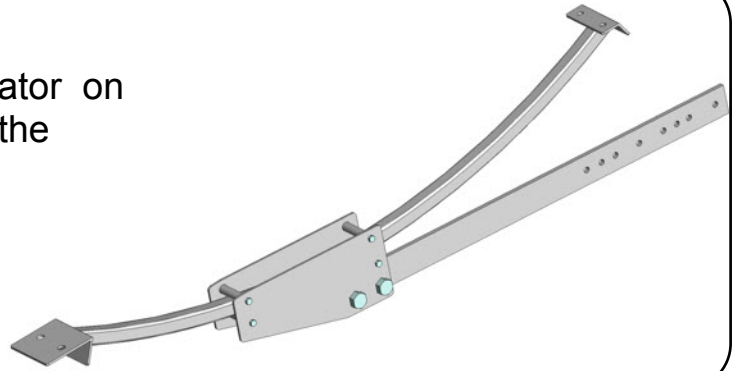
	70Kg	100Kg
Maximum height counterweight door	3000mm	
Maximum height sectional door	2700mm	
Door max width	3000mm	4500mm
Supply	230Vac	
Motor power supply	24Vdc	
Motor RPM	220	
Emergency release	Mechanical internal-external	
Working temperature	-20° C / +55° C	
Weight	4 Kg	
Protection rating	IP 30	
Opening time	22 sec	
Force of thrust	700 N	1000 N
Motor current input	0,7 A	1,2 A

CONSIDERATIONS FOR INSTALLATION

- The installation and testing operations must be performed solely by qualified personnel in order to guarantee the proper and safe operation of the automatic gate.
- The company declines any responsibility for damage caused by incorrect installations due to incompetence and/or negligence.
- Before the installation of the automation, check that the door is fully functional and balanced.

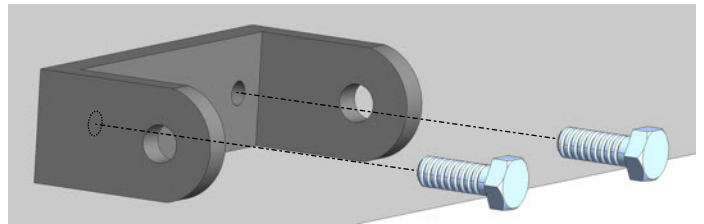
INSTALLATION

NOTE: For the installation of the operator on counterweight doors you must use the **CURVED ARM (optional)**

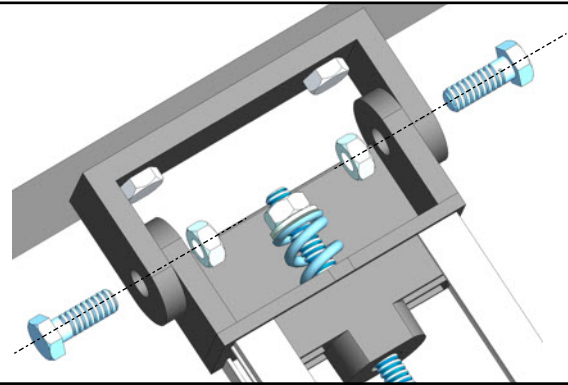


GUIDE INSTALLATION

Fix the front support of the guide on the door frame or on the wall depending on the measurement taken.

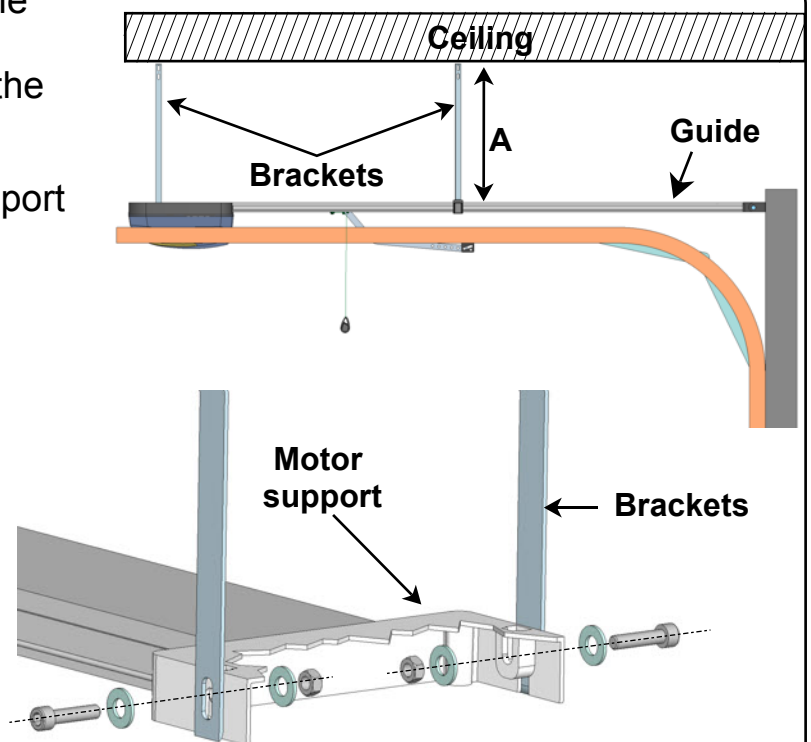
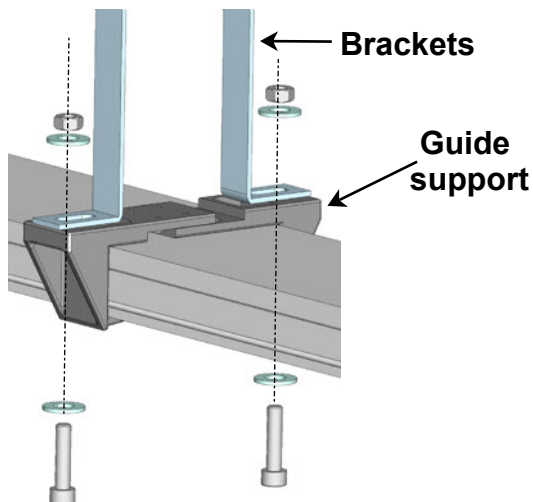


Insert and lock the preassembled guide into the front support



Bend the brackets according to the measure **A**. This measure is obtained leveling the guide with the ceiling

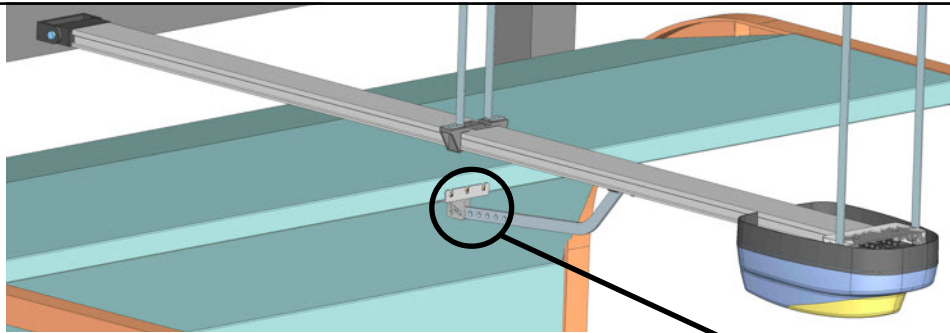
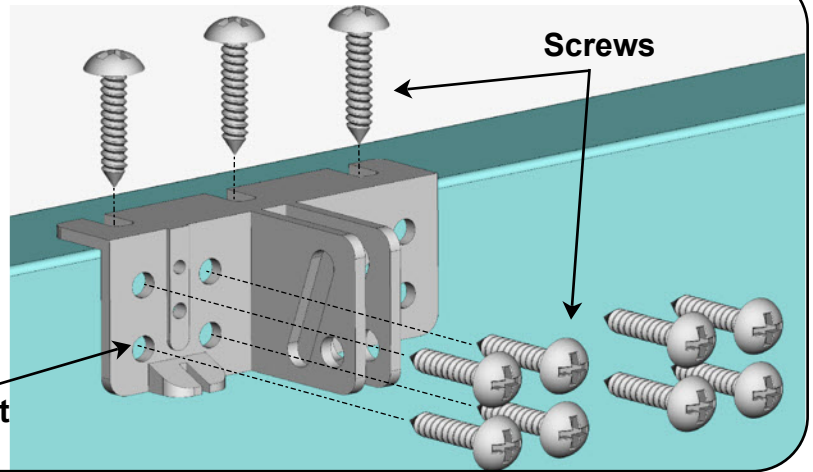
Fix the brackets on the guide support and motor support



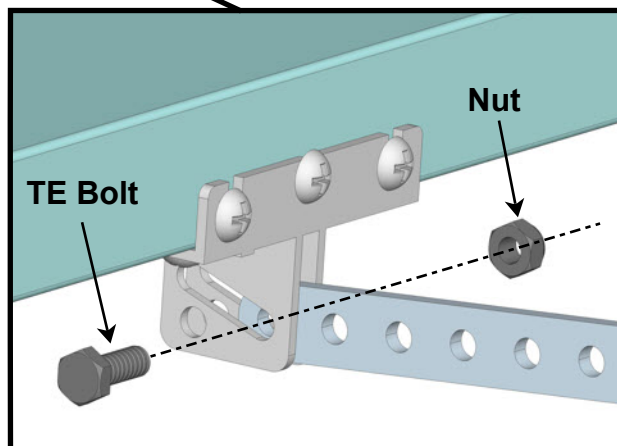
PULLING BRACKET INSTALLATION

Fix the top panel of the door to the pulling bracket with self tapping screws

Pulling Bracket

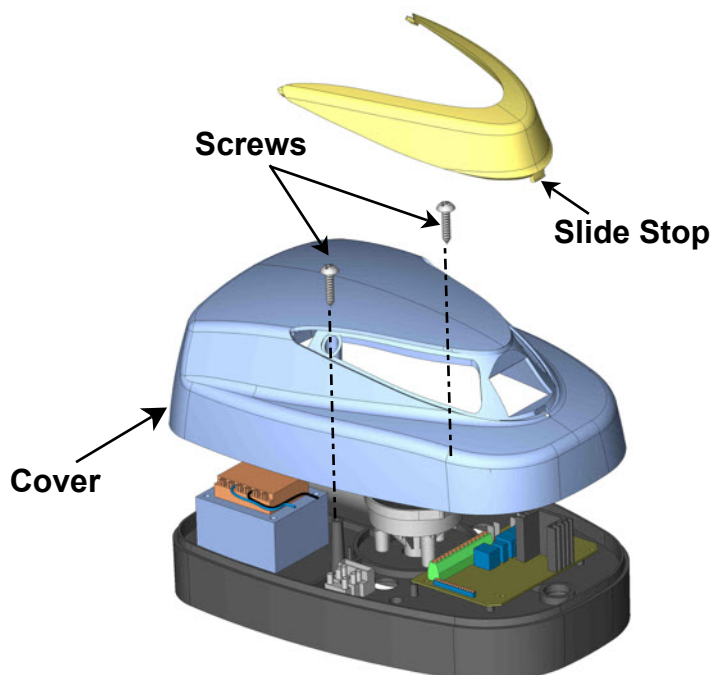


Hang the arm to the bracket and fix it with the nut and bolt TE 8x25



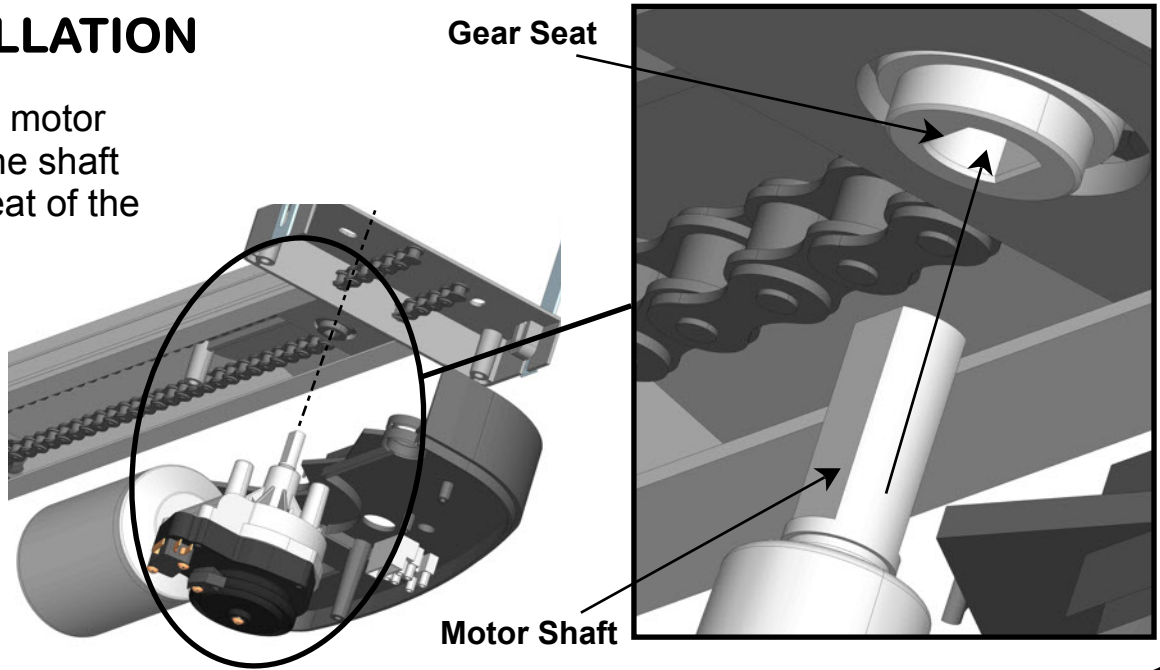
OPERATOR COVER OPENING

1. Take the engine, release the slide by pushing on the front stop.
2. Unscrew the fixing screws and remove of the cover.

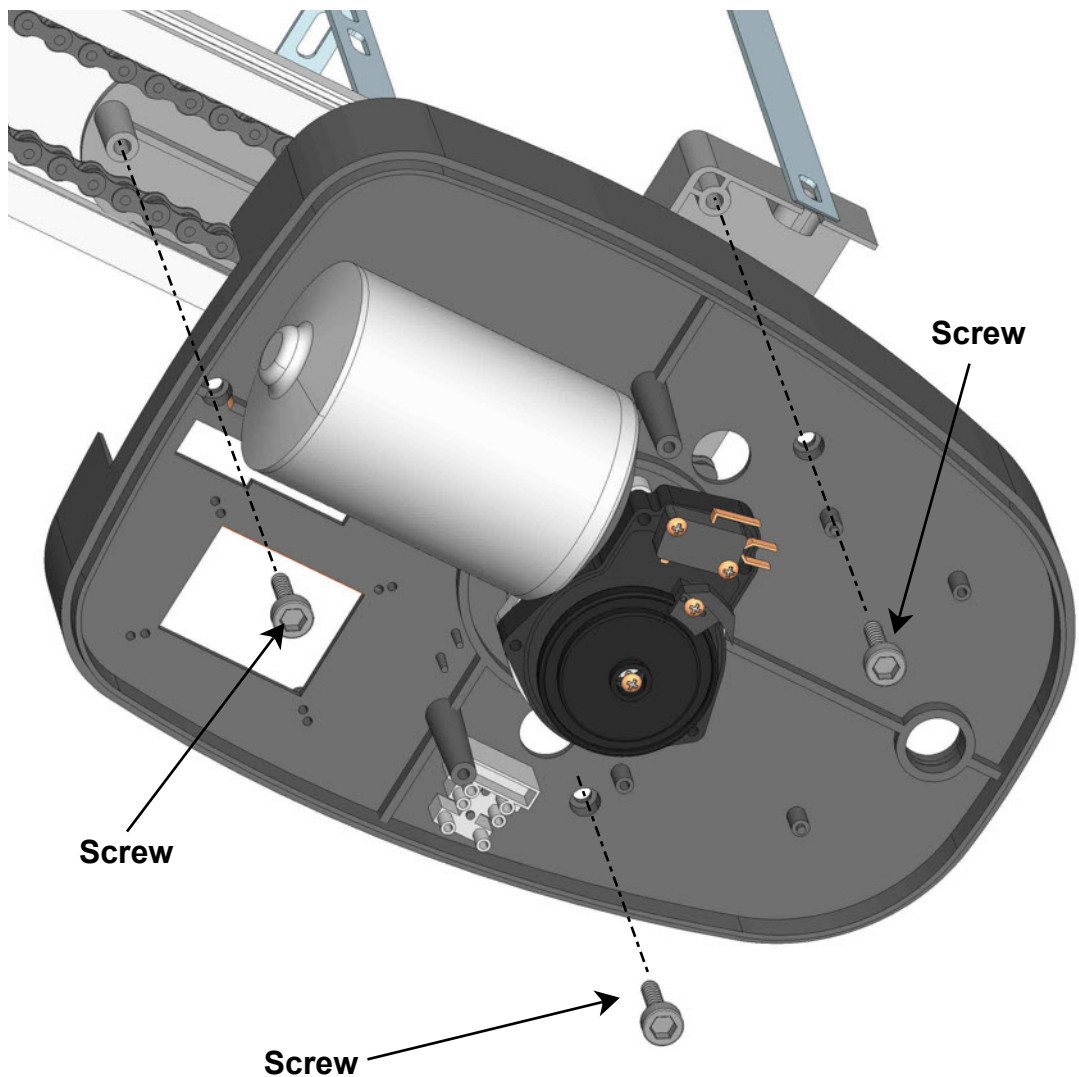


OPERATOR INSTALLATION

Insert the motor
bringing the shaft
into the seat of the
gear



Fix the motor with three self tapping screws



Make all electrical connections referring to the control unit manual

LIMIT SWITCH ADJUSTMENT

Microswitch

Cam

Screw

Adjust the opening limit switch in the desired position by moving the plastic cam, unscrewing a little the screw



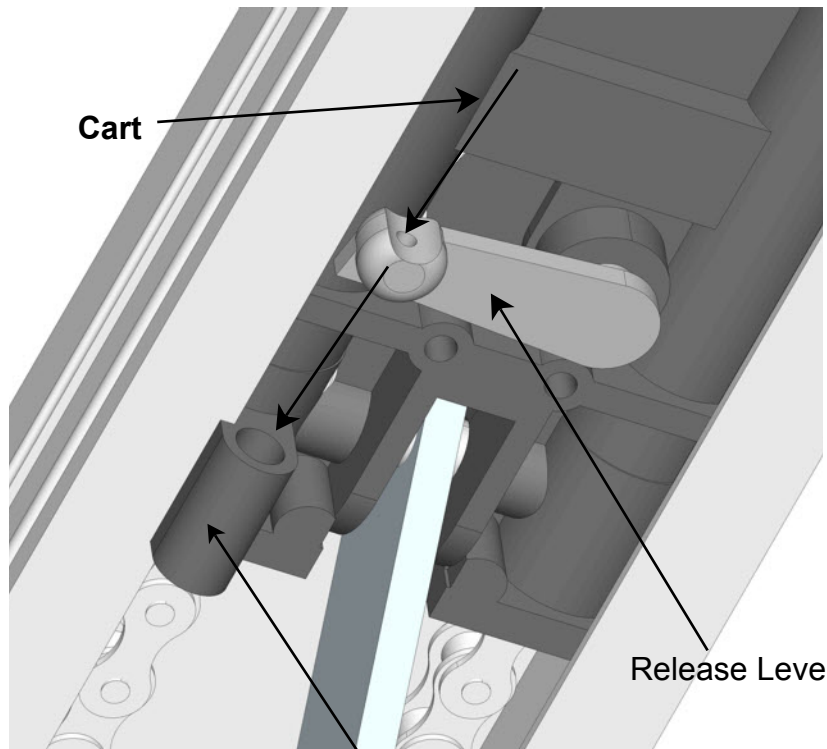
MOUNTING CORD RELEASE

Make a knot on the nylon cord and plug it into the hole of the cart release lever passing the site. Insert the cable in its seat, as shown in the picture

Take a release plate and tie the other end of the cord

Cart

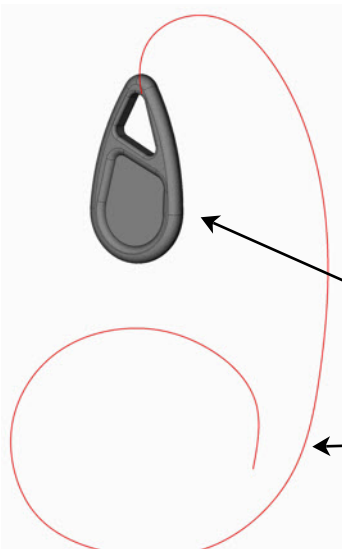
Release Lever



Release Plate

Cord Passage Seat

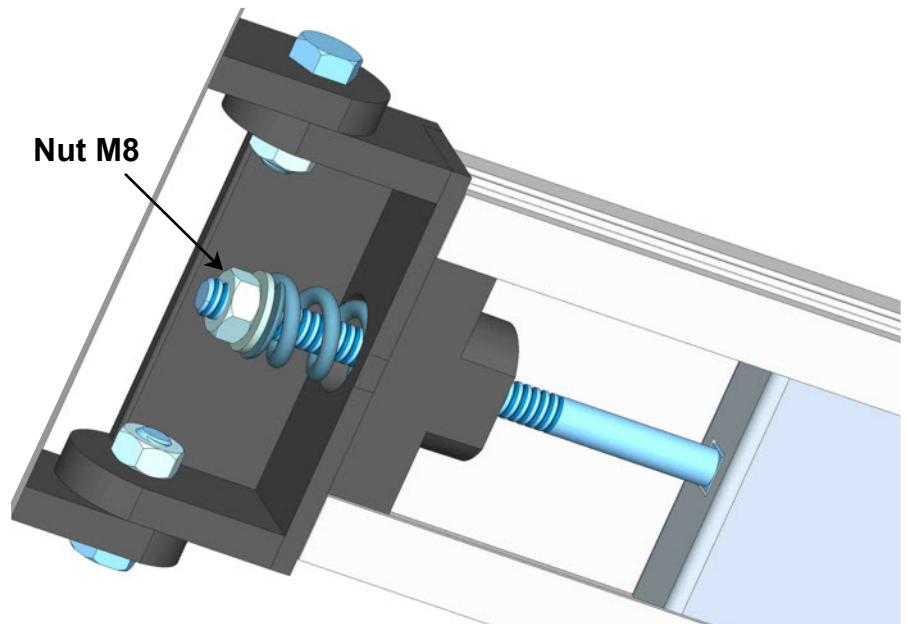
Nylon Cord



CHAIN TENSION

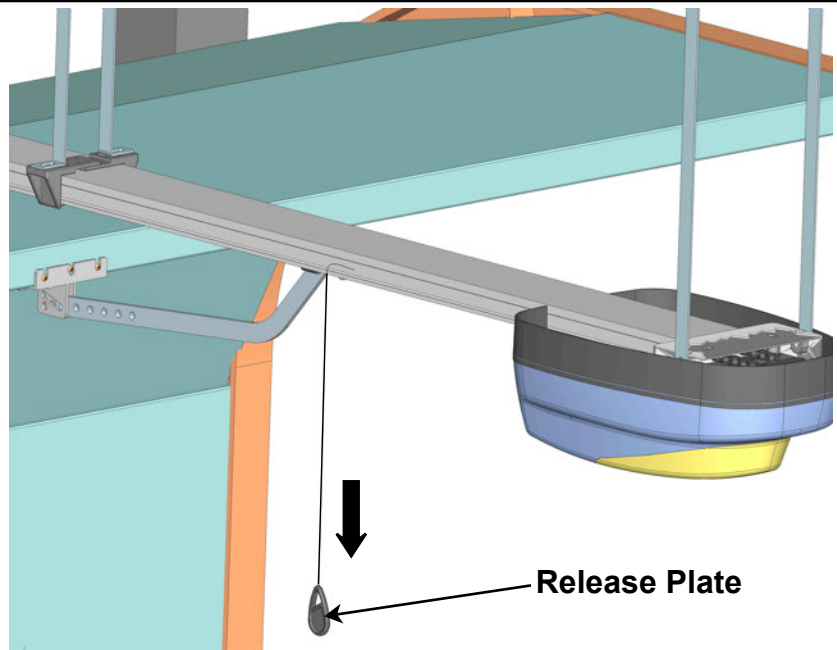
To increase or decrease the chain tension adjust nut M8

- screw the nut to increase tension
- unscrew the nut to decrease tension



EMERGENCY MANUAL RELEASE

In case of emergency to unlock the operator pull the release plate



TROUBLESHOOTING

PROBLEM	PROBABLE CAUSE	SOLUTION
On giving a command with the remote control or with the key-switch, the gate doesn't open or the motor doesn't start	230 volt mains voltage absent	Check master switch
	Emergency STOP present	Check for any STOP selectors or commands. If not used, check jumper on STOP contact input on the control board
	Fuse blown	Replace with one of same value.
	Power cable of motor or motors not connected or faulty.	Connect the cable to appropriate terminal or replace.
	The photocell is not functioning or the beam is interrupted	Check the connection, remove any obstacle across the beam
On giving a command with the remote control, the door doesn't open but works with the key command	The remote control has not been memorised or the battery is flat	Carry out the remote control learning procedure on the radio receiver or replace the battery with a new one..
The door starts, but stops immediately	The force of the motor or motors is insufficient	Modify the value with the FORCE trimmer on the control unit
On giving a command, the motor starts, but the gate does not move	There is an obstacle in front of the wings, the hinges are blocked or the motor anchorage bracket or brackets have come loose	Remove the obstacle from the wings, restore the hinges, replace or lubricate them. Fasten the motor bracket

N.B. - If the problem persists, contact your Retailer or the nearest Service Centre

SAFETY PRECAUTIONS

These warnings are an essential, integral part of the product and must be given to the user. They provide important indications on the installation, use and maintenance and must be read carefully. This form must be preserved and passed on to subsequent users of the system. The incorrect installation or improper use of the product may be dangerous.

INSTALLATION INSTRUCTIONS

- The installation must be performed by professionally skilled personnel and in compliance with current local, state, national and European legislation.
- Before beginning the installation, check the integrity of the product.
- The laying of cables, electrical connections and adjustments must be workmanlike performed.
- The packing materials (cardboard, plastic, polystyrene, etc.) are a potential hazard and should be disposed of correctly and not left within reach of children.
- Do not install the product in potentially explosive environments or environments disturbed by electromagnetic fields. The presence of inflammable gases or fumes is a grave danger to safety.
- Set up a safety device for overvoltage, a disconnecting and/or differential switch suitable for the product and conforming to current standards.
- The manufacturer declines any and all responsibility for product integrity, safety and operation in the event incompatible devices and/or components are installed.
- Solely original spare parts should be used for repairs and replacements.
- The installer must provide all the information relating to the operation, maintenance and use of the individual parts, components and system as a whole.

WARNINGS FOR THE USER

- Read the instructions and enclosed documentation carefully.
- The product must be used for the express purpose for which it was designed. Any other use is considered improper and therefore hazardous. In addition, the information given in this document and in the enclosed documentation may be subject to modifications without prior notice. It is given as an indication only for product application. The company declines any responsibility for the above.
- Keep products, devices, documentation and anything else provided out of reach of children. In the event of maintenance, cleaning, breakdown or faulty operation of the product, cut off the power and do not attempt to operate on the product. Contact solely the professionally skilled personnel responsible for these operations. Failure to adhere to the above indications may be dangerous.

**The data and images are for guidance only
VDS reserves the right to change at any time characteristics of the products described in
its sole discretion, without notice.**



**Via Circolare p.i.p. N° 10
65010 Santa Teresa di Spoltore (PE) - ITALY
Tel. +39 085 4971946 - FAX +39 085 4973849
www.vdsconsorzio.it - vds@vdsconsorzio.it**