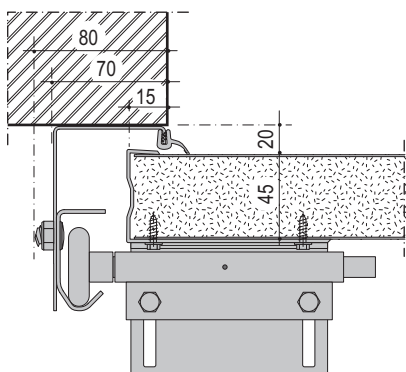
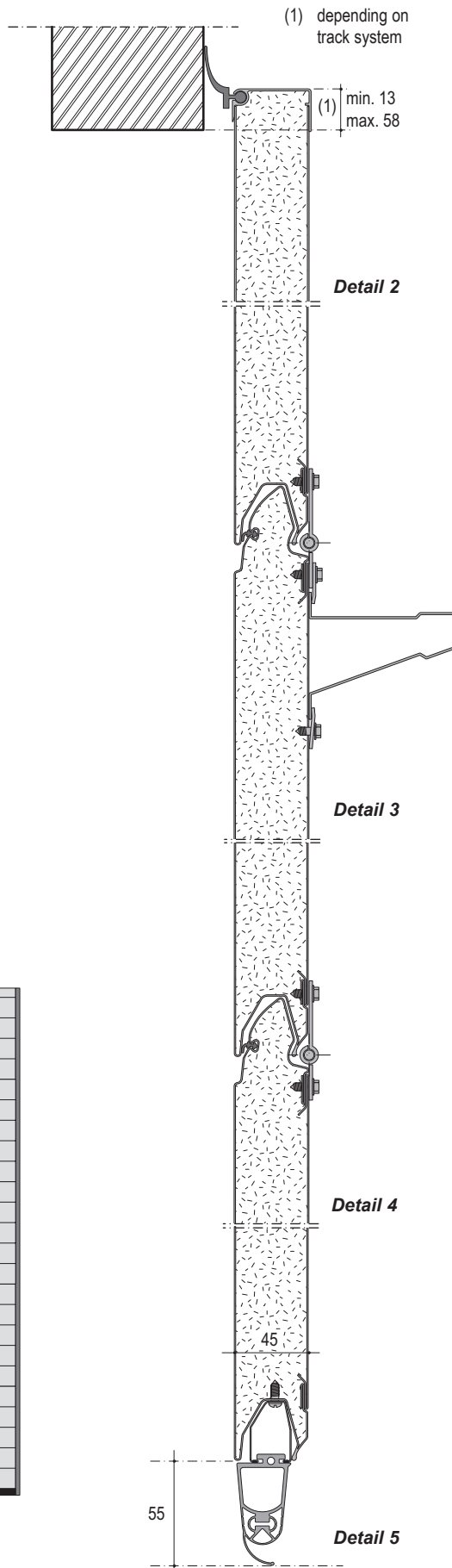
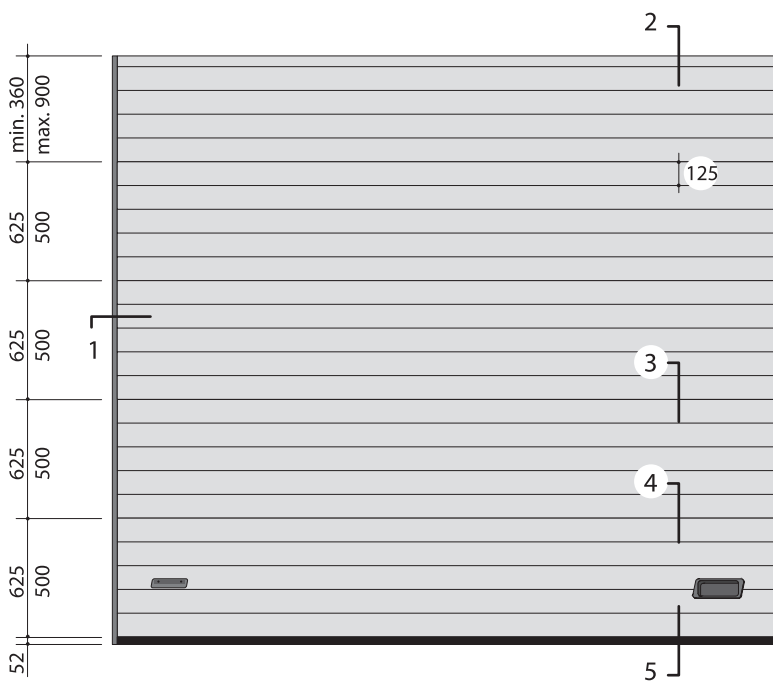
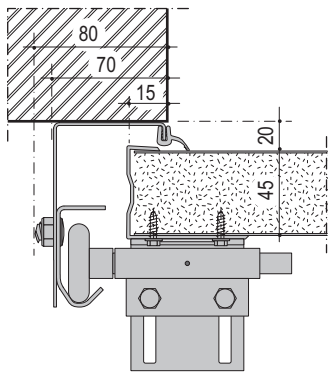


Detail 1 : $W \leq 5000$ mm

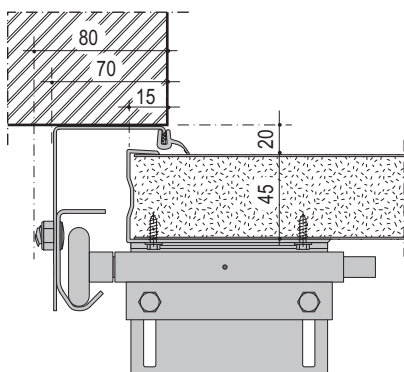


Detail 1 : $W > 5000$ mm



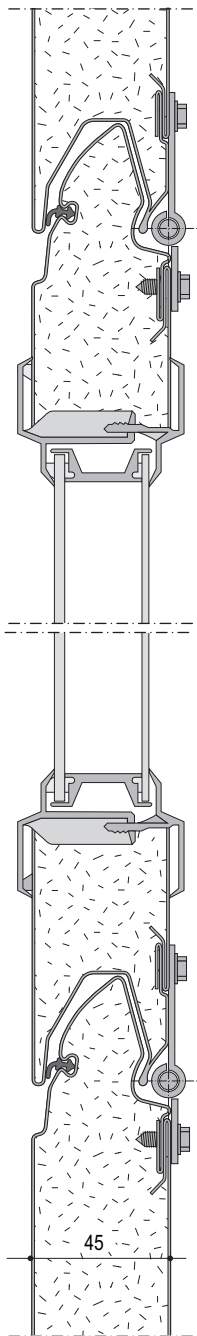
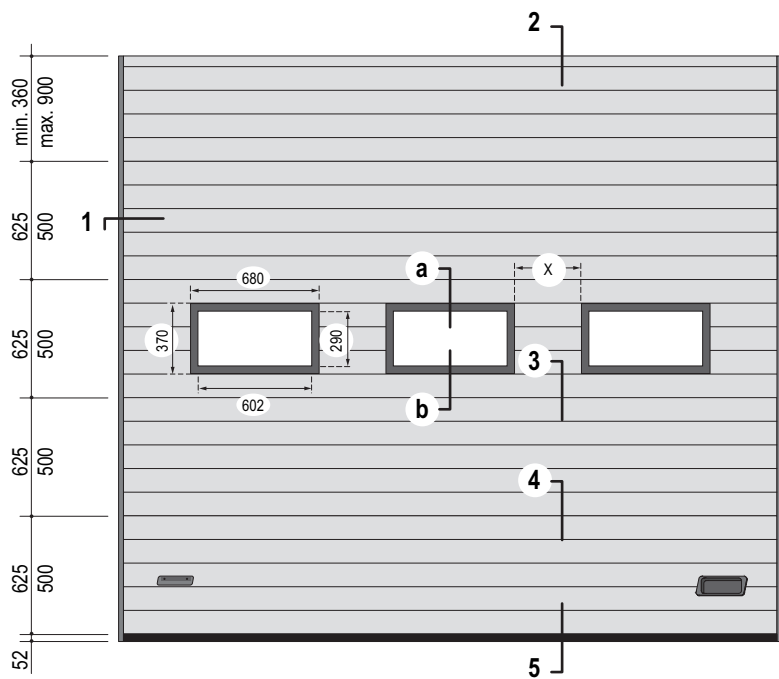


Detail 1 : W ≤ 5000 mm



Detail 1 : W > 5000 mm

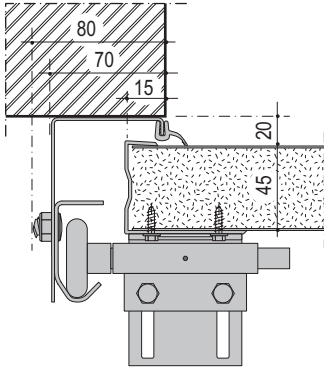
for opening width ≤ 5000 mm	$X = \frac{(\text{opening width} - 86)}{(\text{number of fields})} - 680 \text{ mm}$
for opening width > 5000 mm	$X = \frac{(\text{opening width} - 164)}{(\text{number of fields})} - 680 \text{ mm}$



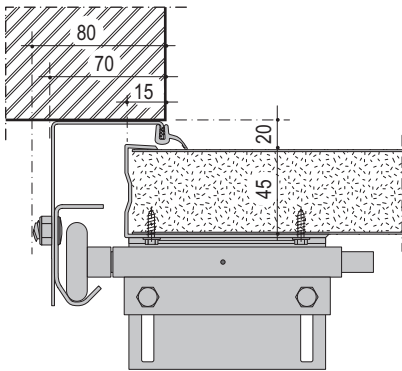
Detail a

Detail b

For details 2 through 5, see page Thermo45

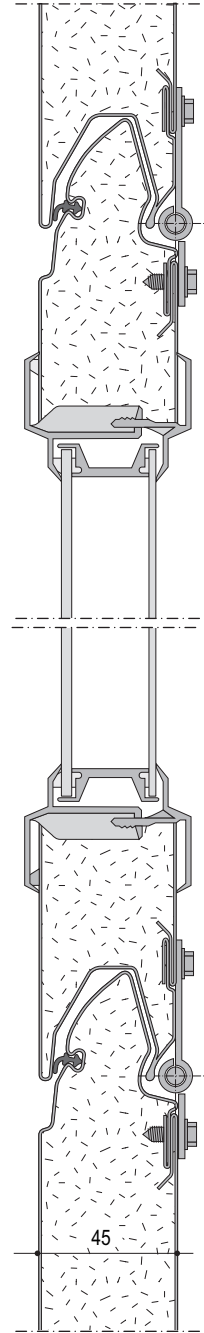
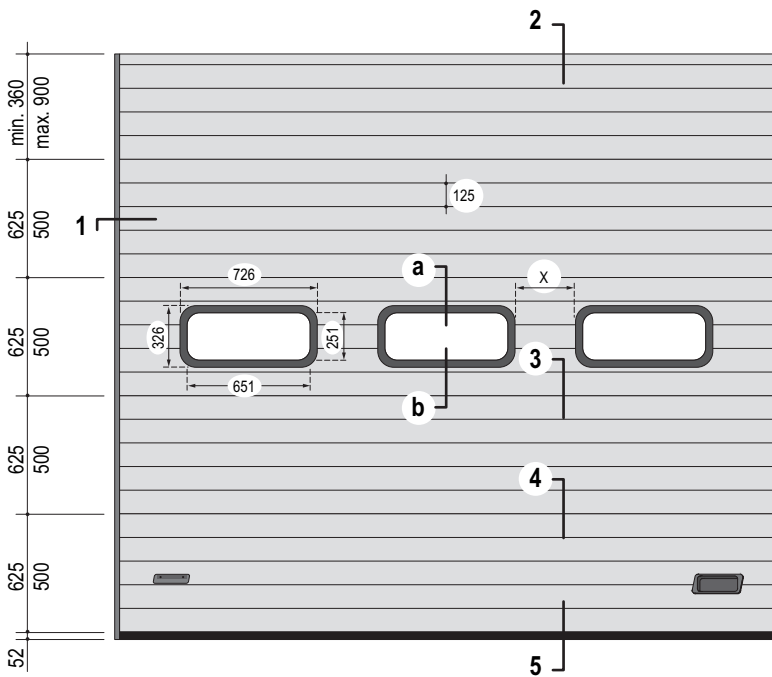


Detail 1 : W ≤ 5000 mm



Detail 1 : W > 5000 mm

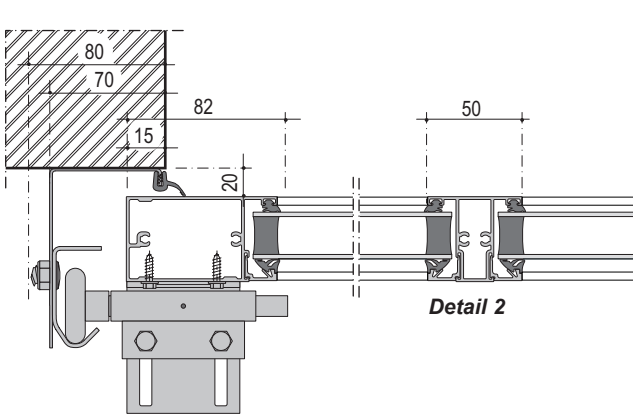
for opening width ≤ 5000 mm	$X = \frac{(\text{opening width} - 86)}{(\text{number of fields})} - 726 \text{ mm}$
for opening width > 5000 mm	$X = \frac{(\text{opening width} - 164)}{(\text{number of fields})} - 726 \text{ mm}$



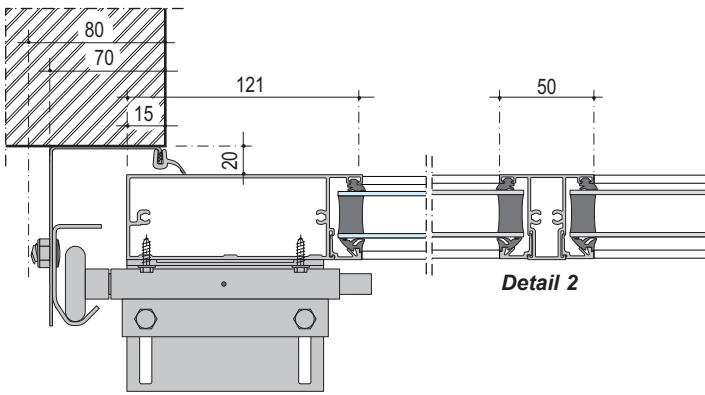
Detail a

Detail b

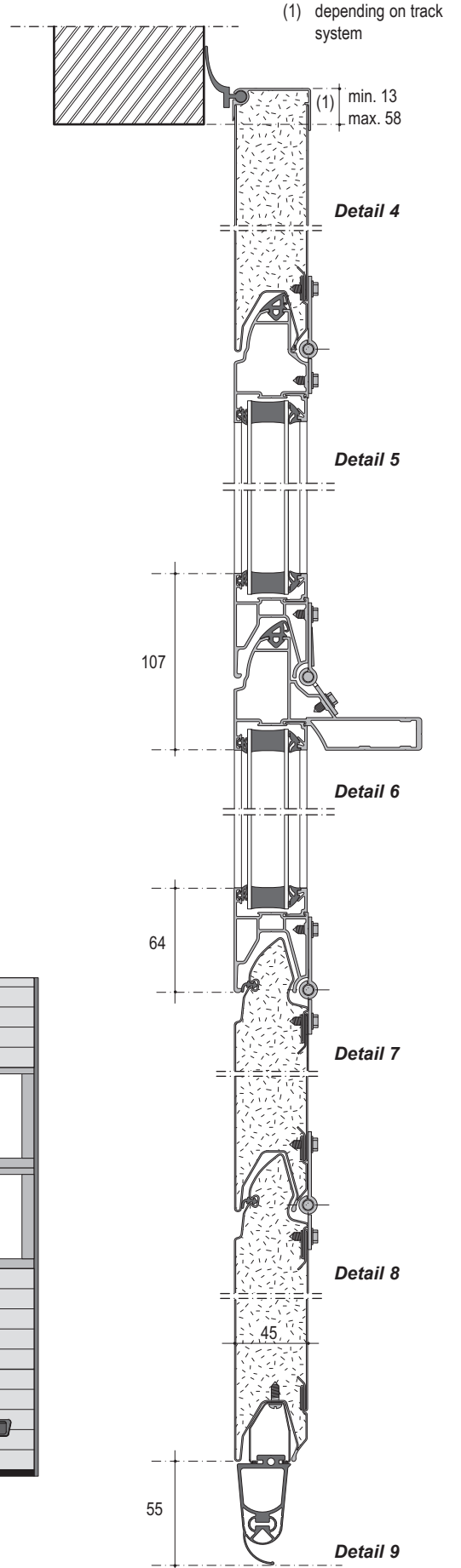
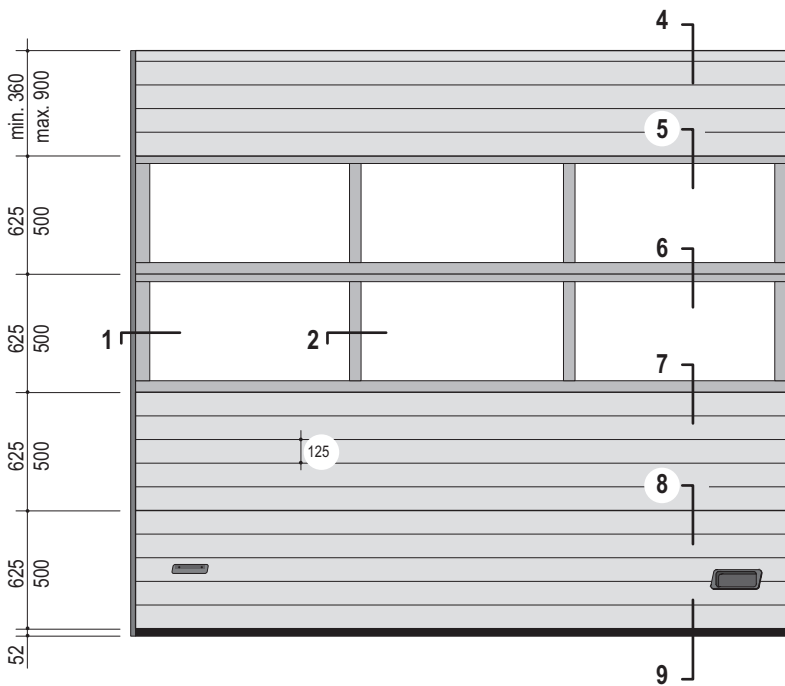
For details 2 through 5, see page Thermo45

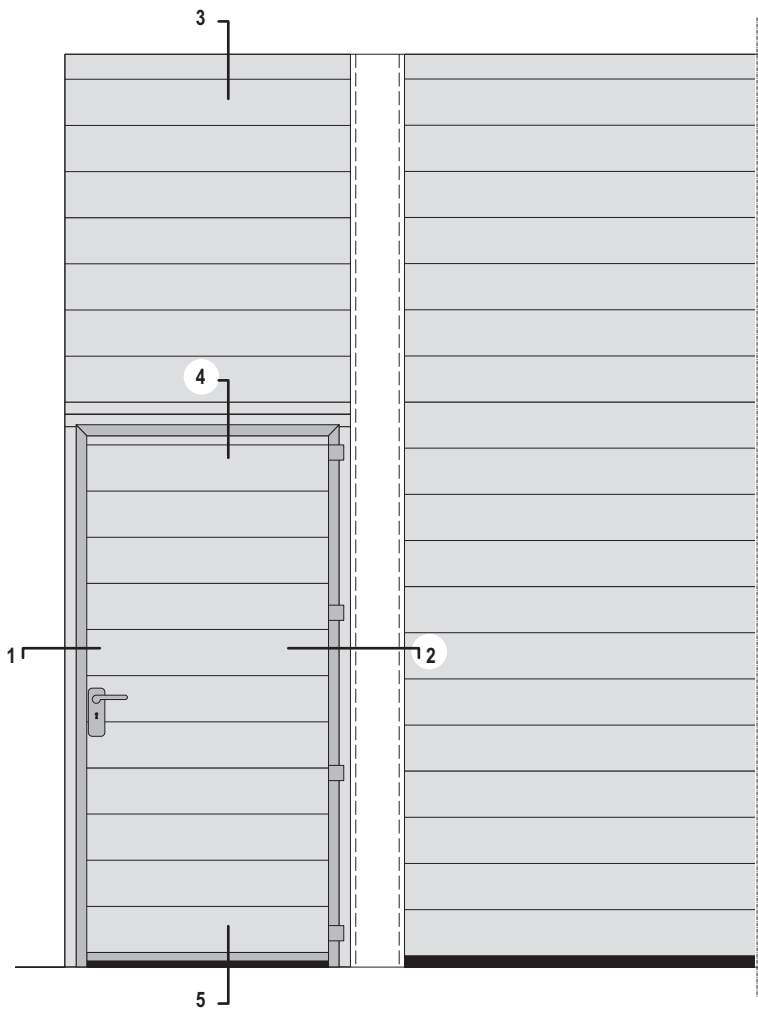


Detail 1 : $W \leq 5000$ mm



Detail 1 : $W > 5000$ mm



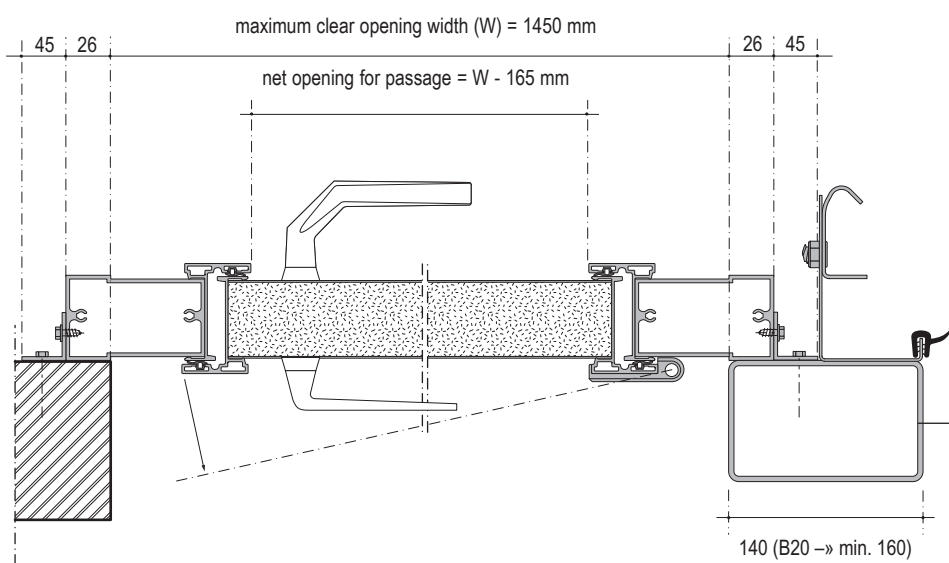


Front view from outside

Detail 3

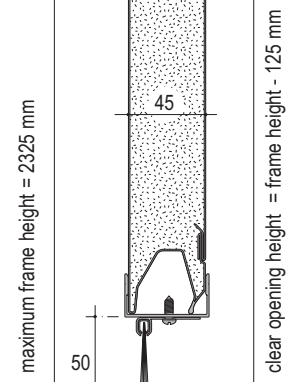
Detail 4

Detail 5

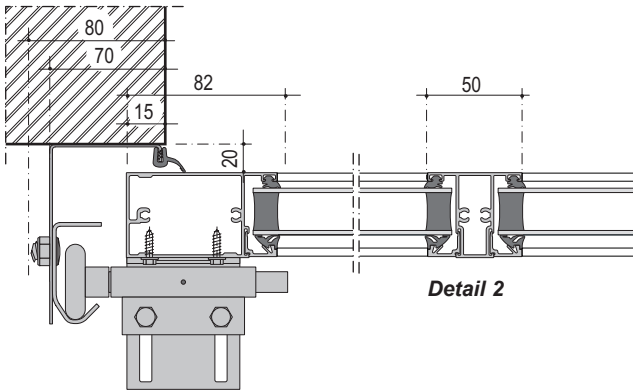


Detail 1

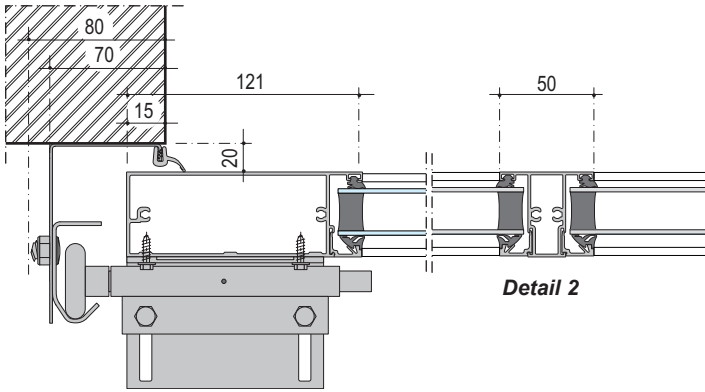
Detail 2



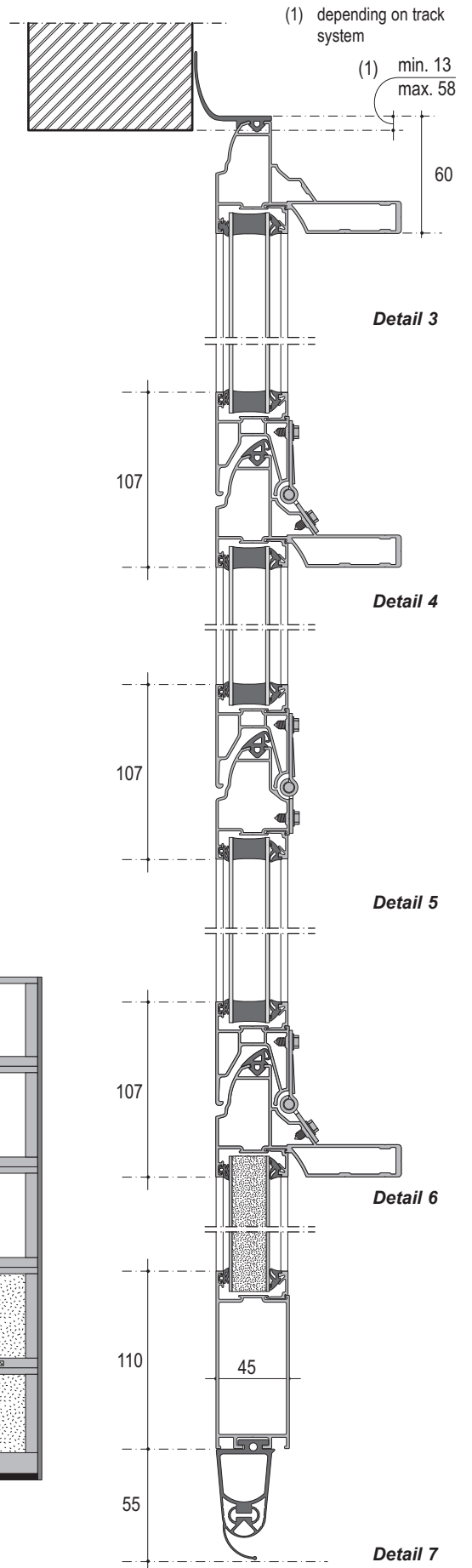
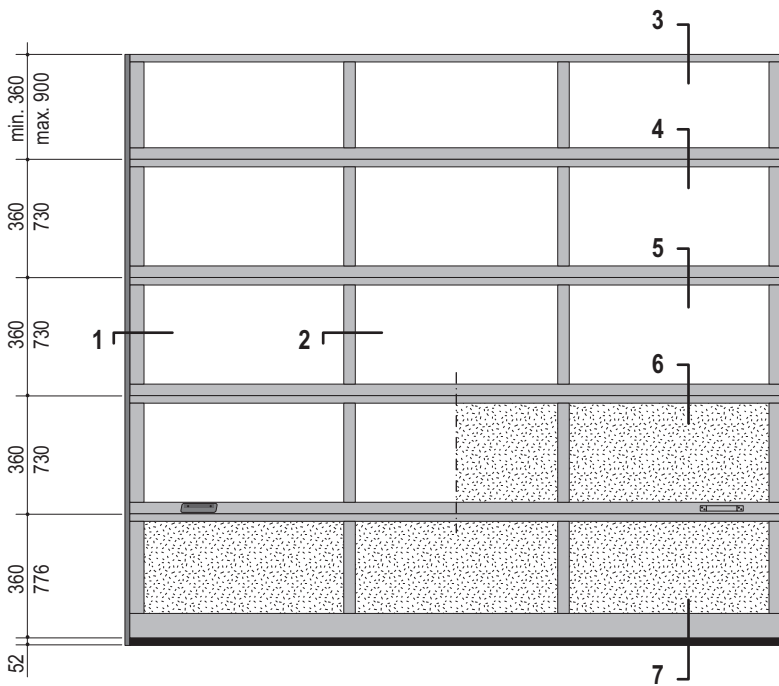
Middle beam by others,
or extra price if made by
Novoferm.

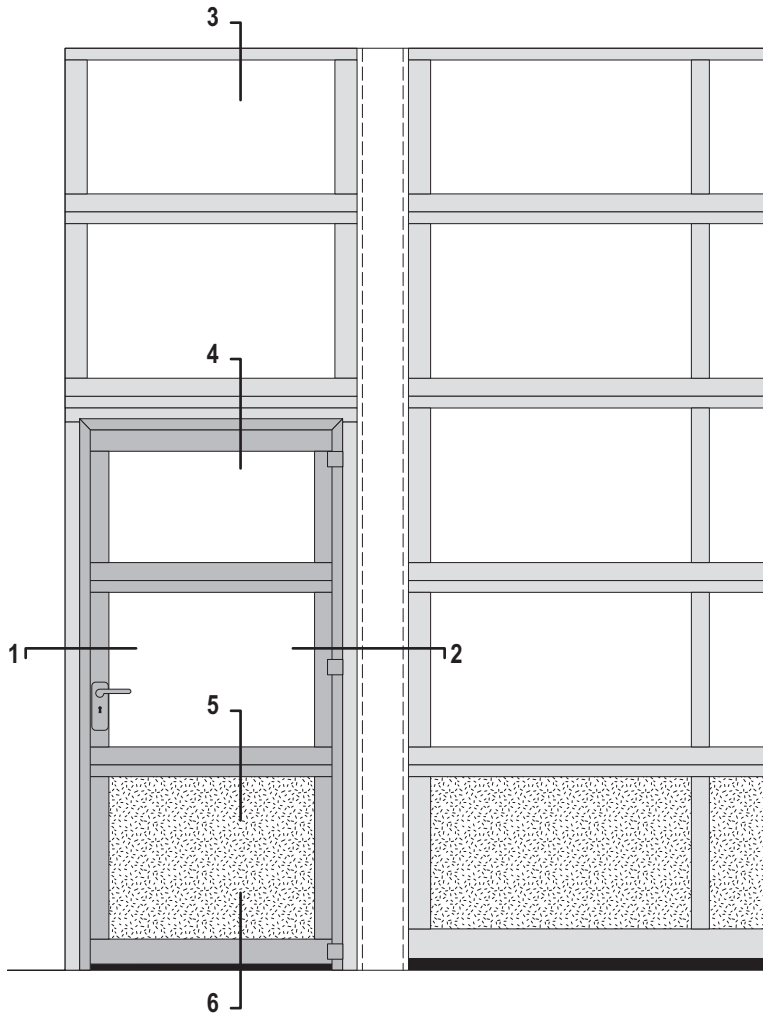


Detail 1 : $W \leq 5000$ mm

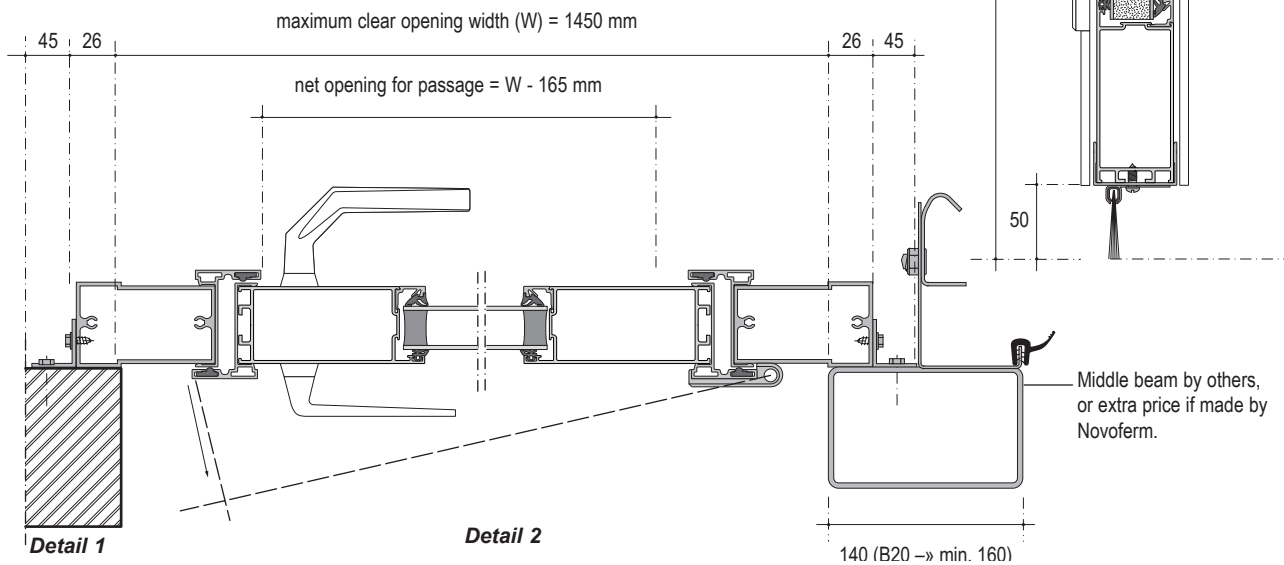
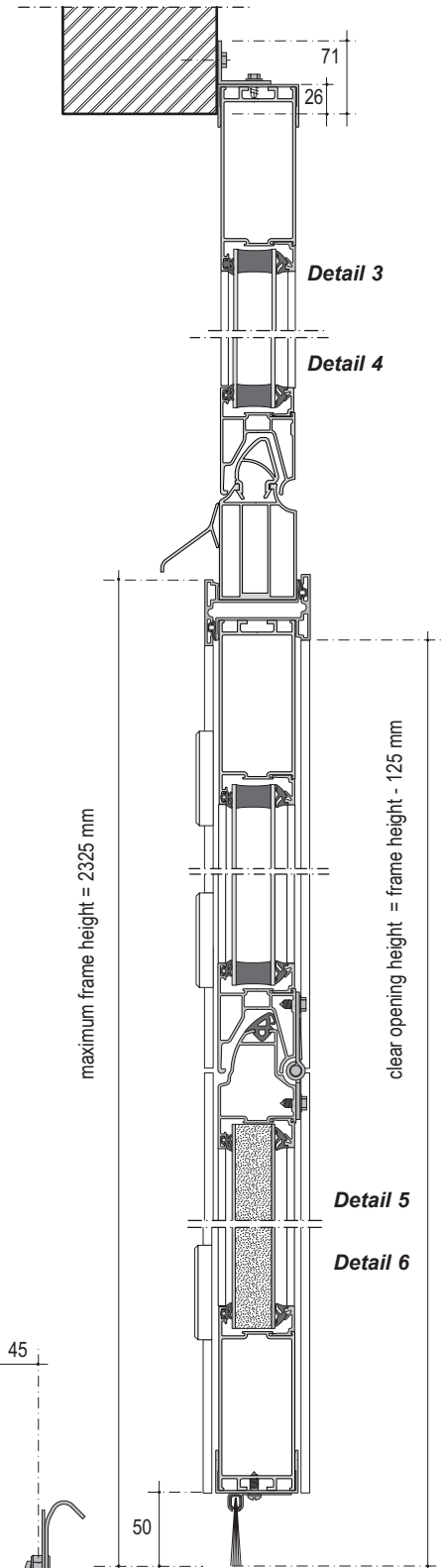


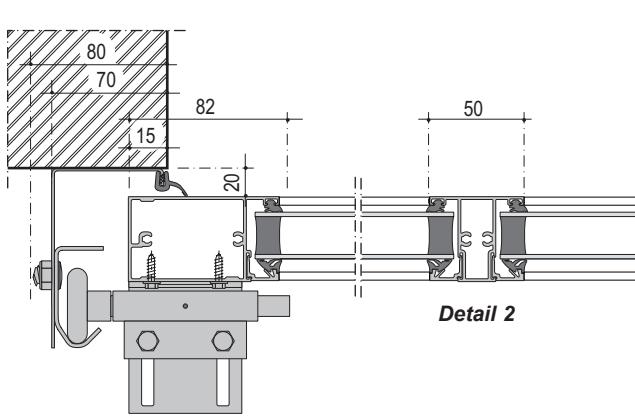
Detail 1 : $W > 5000$ mm



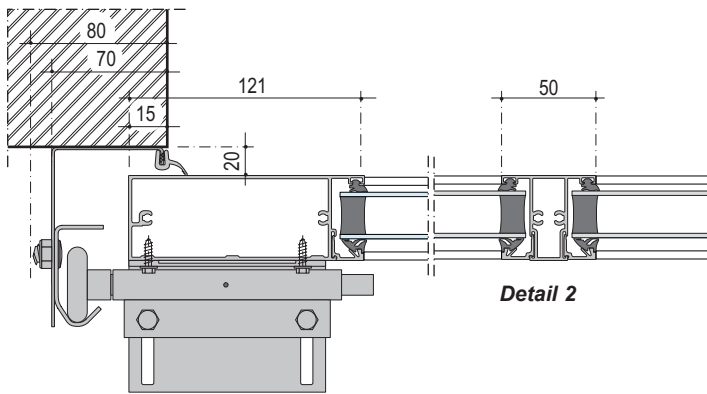


Front view from outside

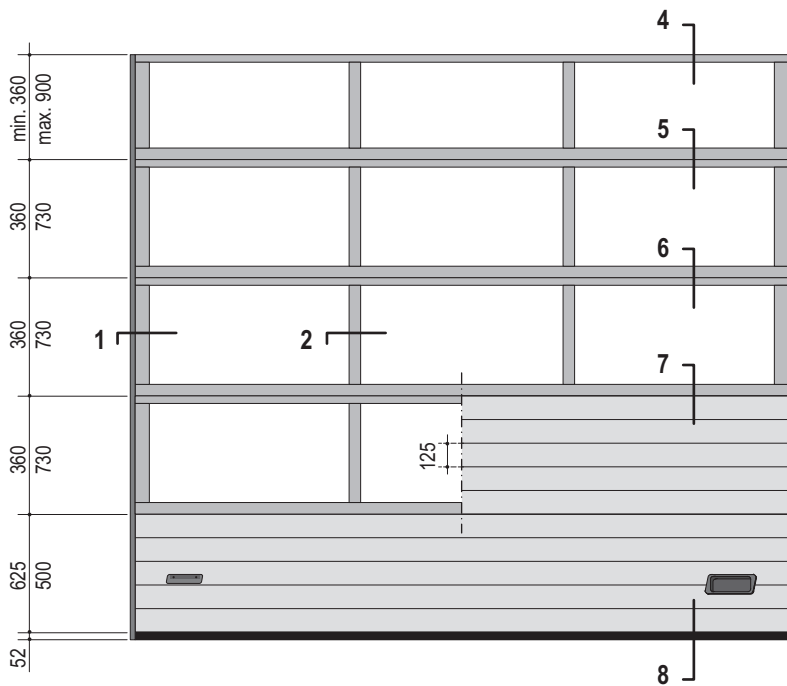




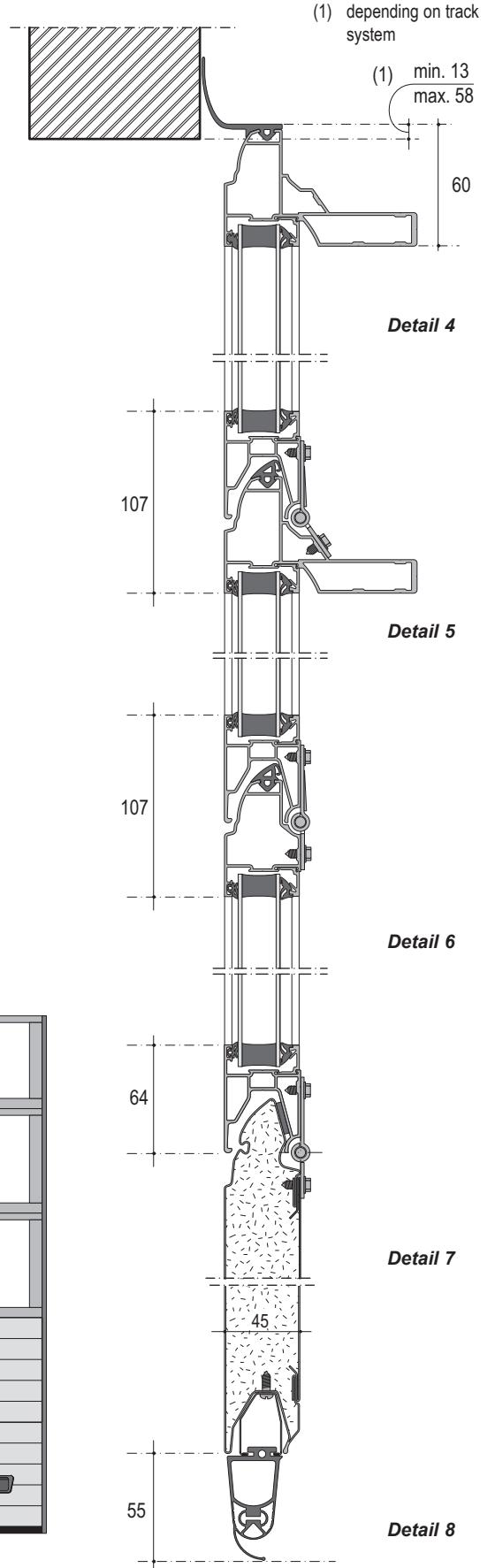
Detail 1 : W ≤ 5000 mm

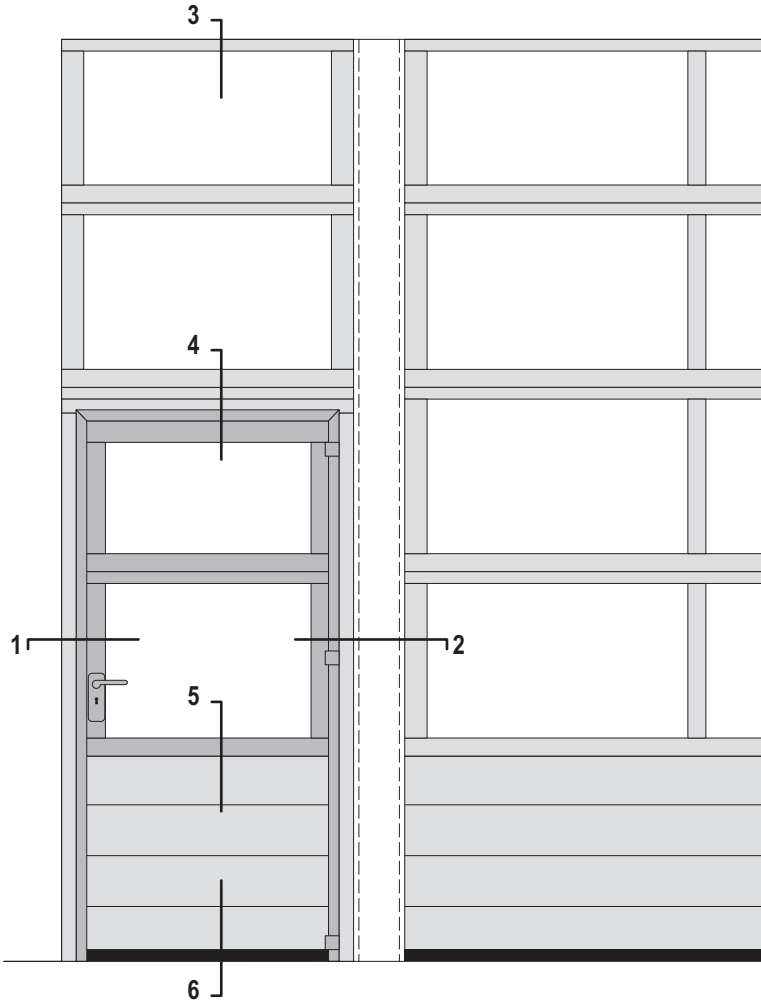


Detail 1 : W > 5000 mm

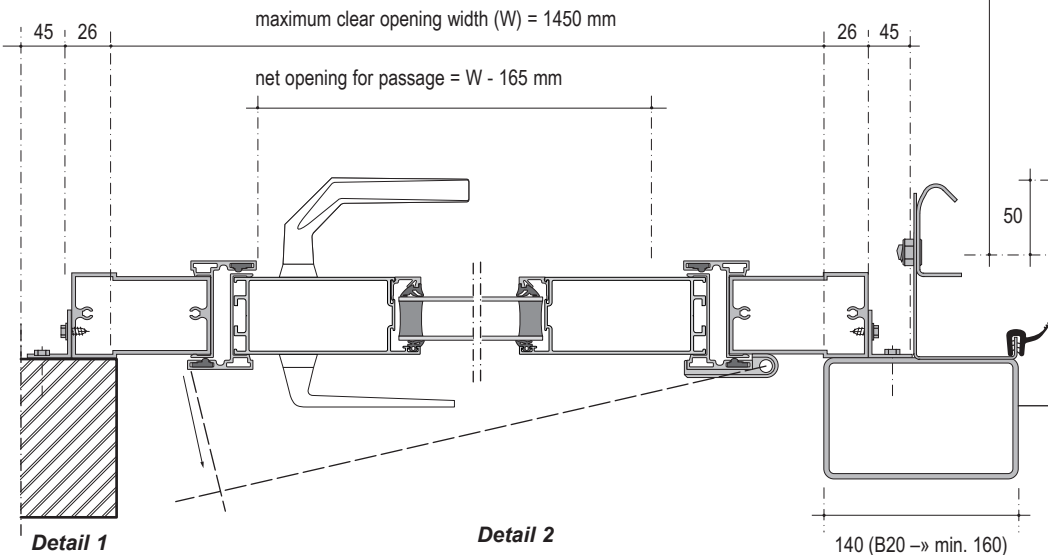
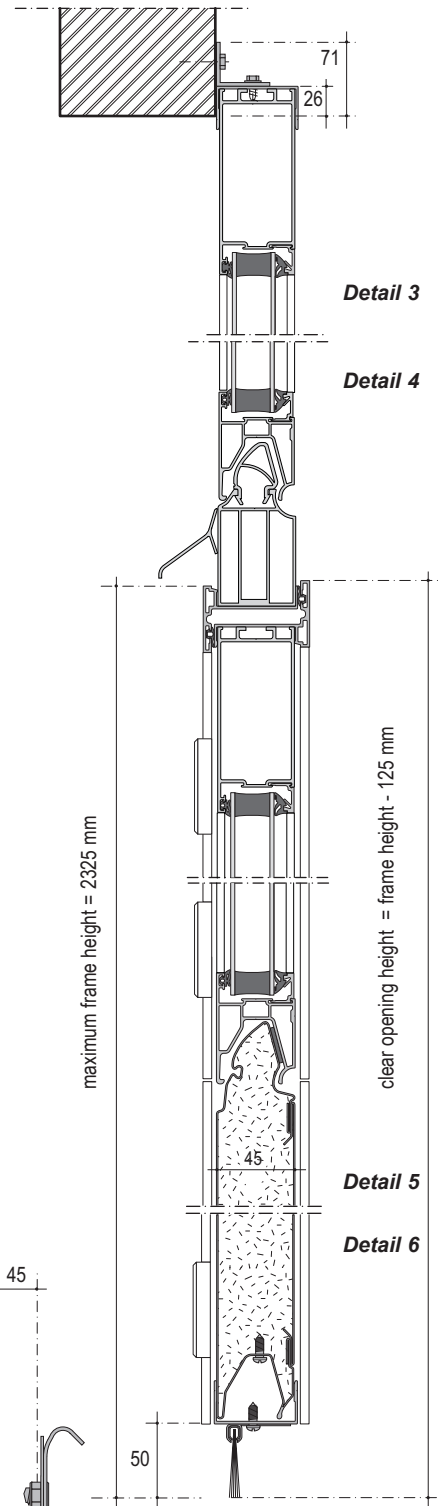


Detail 3



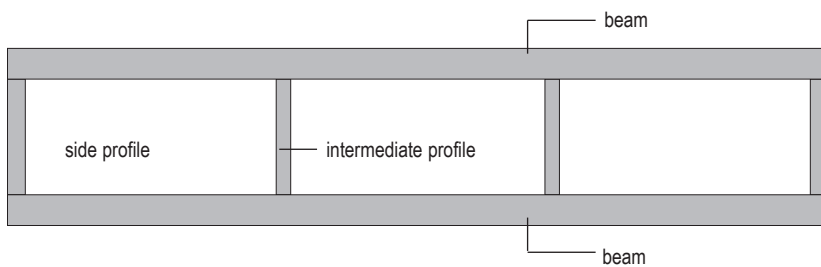
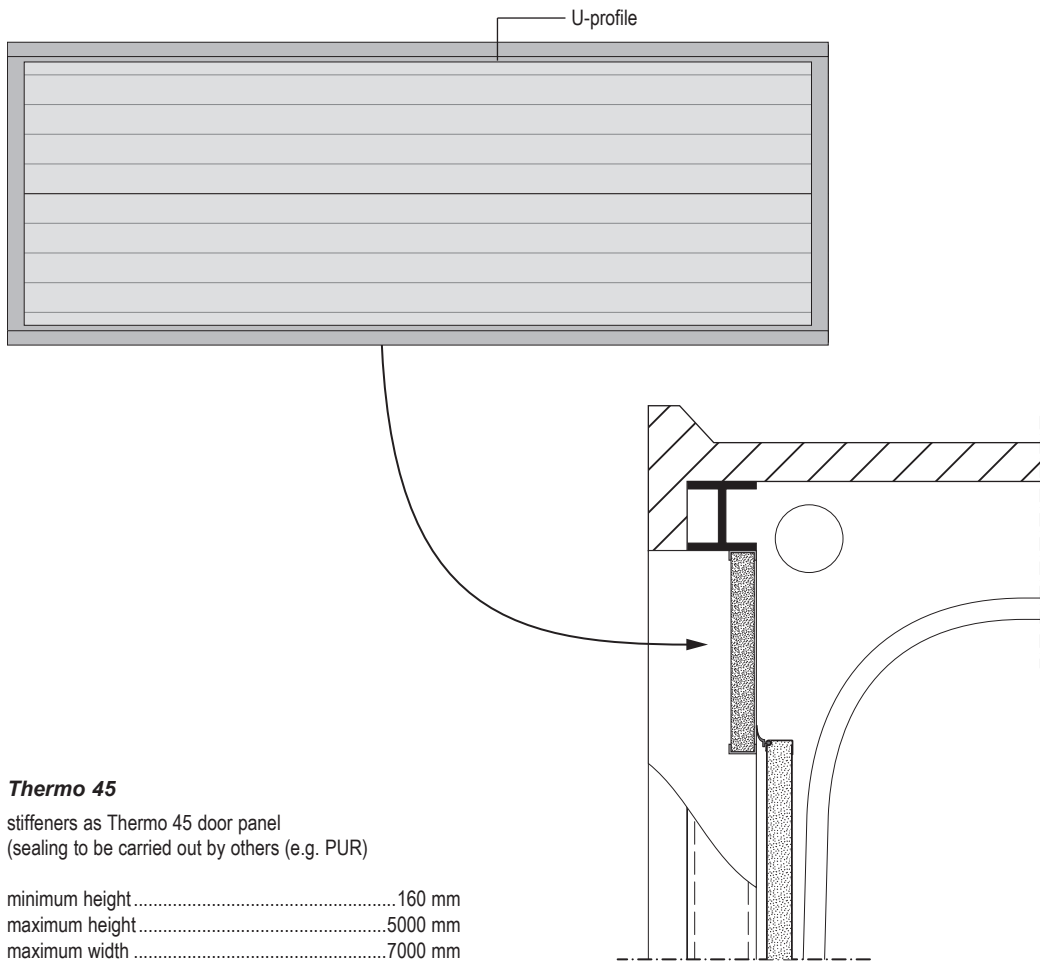


Front view from outside



Detail 1

Detail 2



NovoLux
 stiffeners as NovoLux door panel
 (sealing to be carried out by others (e.g. PUR))

minimum height	320 mm
maximum height	5000 mm
maximum width	6500 mm