



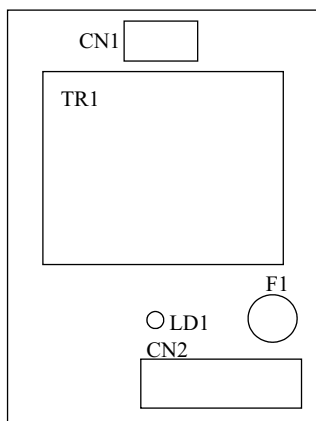
INSTALLATION AND MAINTENANCE MANUAL

SUPPLEMENTARY LOW VOLTAGE POWER SUPPLY UNIT 230Vac 12/24Vac 24Vdc 1A (Cod. 23105010-23105014)

General

The 23105010-23105014 power supply unit has been projected by SEA to be used in those situations when it is required more power supply than the one available from electronic control unit. It is suitable for powering SEA low voltage accessories: radio receiver, low voltage light, electric locks etc.

VERSION WITHOUT RELAY

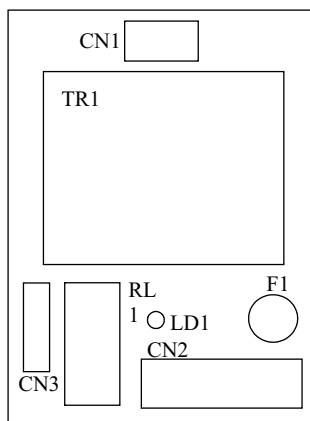


CN1: 230 Vac Terminal Connector
CN2: Low Voltage Terminal Connector
LD1: Power supply led
F1: Protection fuse 2 A T
TR1: Transformer

Technical data

Power supply: 230Vac
Low Voltage Outputs: 12Vac-24Vac-24Vdc
Low Voltage Current: 24 V ac/dc 1A
12 V ac 0,5A
N.A.Temperature: -30°C /+ 70°C
Dimensions: 85 x 113 x 60 mm

PREVIOUS VERSION WITH RELAY

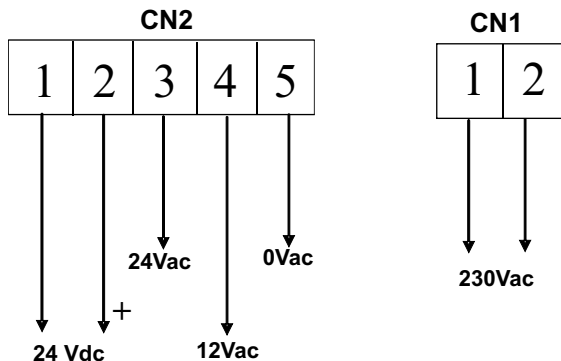


CN1: 230 Vac Terminal Connector
CN2: Low Voltage Terminal Connector
CN3: Radio receiver/decoder connector
RL1: Relay 1 N.C. / 1 N.O. 10 A Max
LD1: Power supply led
F1: Protection fuse 2 A T
TR1: Transformer

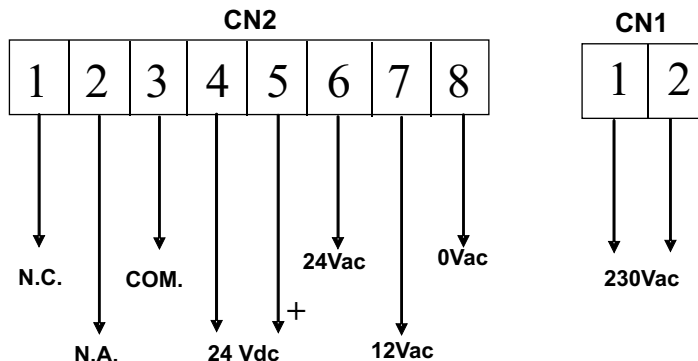
Technical data

Power supply: 230Vac
Low Voltage Outputs: 12Vac-24Vac-24Vdc
Low Voltage Current: 24 V ac/dc 1A
12 V ac 0,5A
Relay Outputs: 10A N.C. - N.O.
N.A.Temperature: -30°C /+ 70°C
Dimensions: 85 x 113 x 60 mm

CONNECTIONS LAYOUT



CONNECTIONS LAYOUT





SPARE PARTS

To obtain spare parts contact:

SEA S.p.A. ZONA Ind.le, 64020 S.ATTO Teramo Italia

INTENDED USE

The 23105010-23105014 module has been designed to be solely used as additional power supply unit for electronic control unit produced by SEA.

The total maximum current of 1A is the total distributed load available across all three low voltage outputs (12Vac, 24Vac, 24Vdc).

SAFETY AND ENVIRONMENTAL COMPATIBILITY

We recommend not to spoil the environment with product and circuit packing material.

CONFORMITY REQUIREMENTS

The Power supply module 23105010-23105014 conforms to the following:

- 2004/108/CE (Rule on the Electromagnetic Compatibility)
- 2006/95/CE (Electric Safety)

STORAGE

WAREHOUSING TEMPERATURES			
T_{min}	T_{Max}	Dampness _{min}	Dampness _{Max}
- 40°C	+ 85°C	5% <i>Not condensing</i>	90% <i>Not condensing</i>

When being transported this product must be properly packaged and handled with care.

MAINTENANCE AND OUT OF SERVICE

The decommission and maintenance of this unit must only be carried out by specialised and authorised personnel.

LIMIT OF GUARANTEE

For the guarantee see the sales conditions on the official SEA price list.

NOTE: THE MANUFACTURER IS NOT RESPONSIBLE FOR ANY DAMAGE OR INJURY CAUSED BY IMPROPER USE OF THIS PRODUCT.

SEA reserves the right to do changes or variations that may be necessary to its products with no obligation to notice.



REGULAR PRODUCT DISPOSAL (electric and electronic waste)

(It's applicable in EU countries and in those ones provided with a differential waste collection)

The brand that you find on the product or on documentation signals that the product must not be disposed off together with other domestic waste at the end of life cycle. In order to avoid any possible environmental or health damage caused by irregular waste disposal, we recommend to separate this product from other forms of waste and to recycle it in a responsible way in order to provide the sustainable re-use of material resources. Domestic users are invited to contact the retailer where the product has been purchased or the local office in charge of all the information related to differential waste collection and recycling of this kind of product.