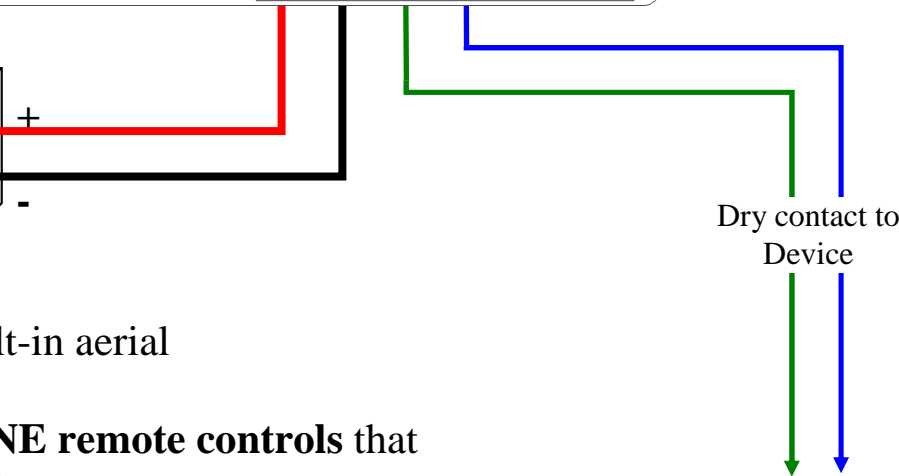
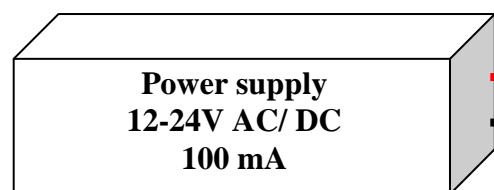
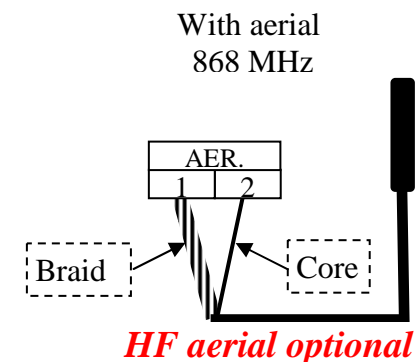
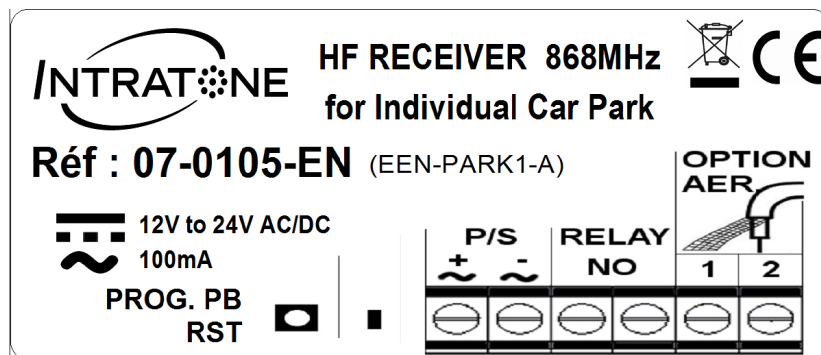
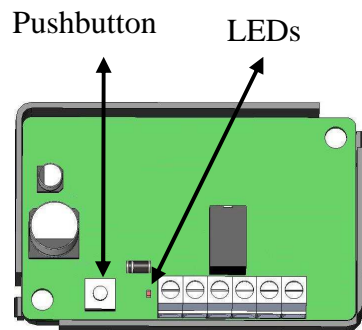
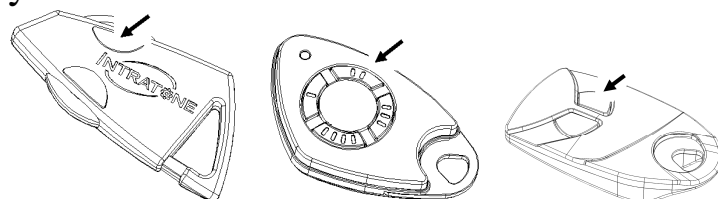


WIRING DIAGRAM – HF RECEIVER 07-0105-EN (EEN-PARK1-A)



- Opening delay: **1 second.**
- Stand-alone receiver with built-in aerial
- No anti-passback.
- No more than **10 INTRATONE remote controls** that open by default with **button 2:**



Relay:
 Never connect the relay's CT terminals directly to power supply.
 This relay provides a dry contact designed to be connected to a pushbutton input on the device.

ADDITIONAL INFORMATION

LEDs		PUSHBUTTON (PB)	
Operation	Meaning	Mode	Explanations
Normal	1 flash every 2 sec.	Detecting	<ul style="list-style-type: none"> ▪ Press PB once →The LED lights up: <i><u>Enter detection mode.</u></i> ▪ Pass over with remote controls →HF Detection: <i><u>Detecting remote controls.</u></i> ▪ Press PB once →The LED does not stay lit: <i><u>Exit detection mode.</u></i>
Detecting	Solid light for 10 sec.		
HF Detection	3 quick flashes.		
Opening	Lit for 1 second		
		Reset	<ul style="list-style-type: none"> ▪ Press and hold PB for 3 sec. →LED flashes quickly: <i><u>For 10 sec, awaiting reset confirmation.</u></i> ▪ Press PB once →Reset confirmation: <i><u>All remote controls are deleted from receiver.</u></i>