

Installation and use of the RF EEN-REC3-RW Read Write receiver

Presentation

The EEN-REC3-RW receiver enables RF control of two car park accesses called "ENTRY" and "EXIT".

It accepts the 2 and 4-channel RF 868MHz remote controls.

It is waterproof and can be attached to an outside wall.

EEN-REC3-RW features:

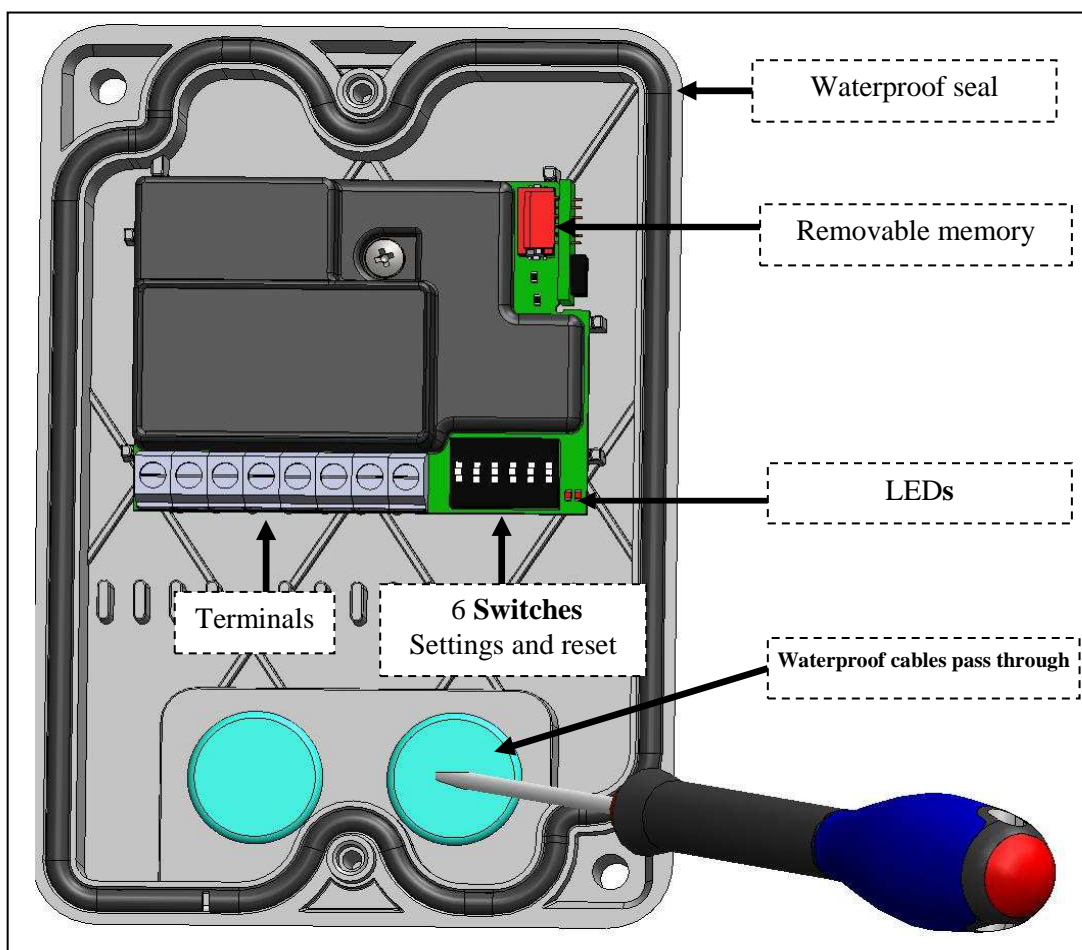
- 12 → 24 V AC/DC – 100 mA.
- 2 1A 24V Relays.

Remote control management:

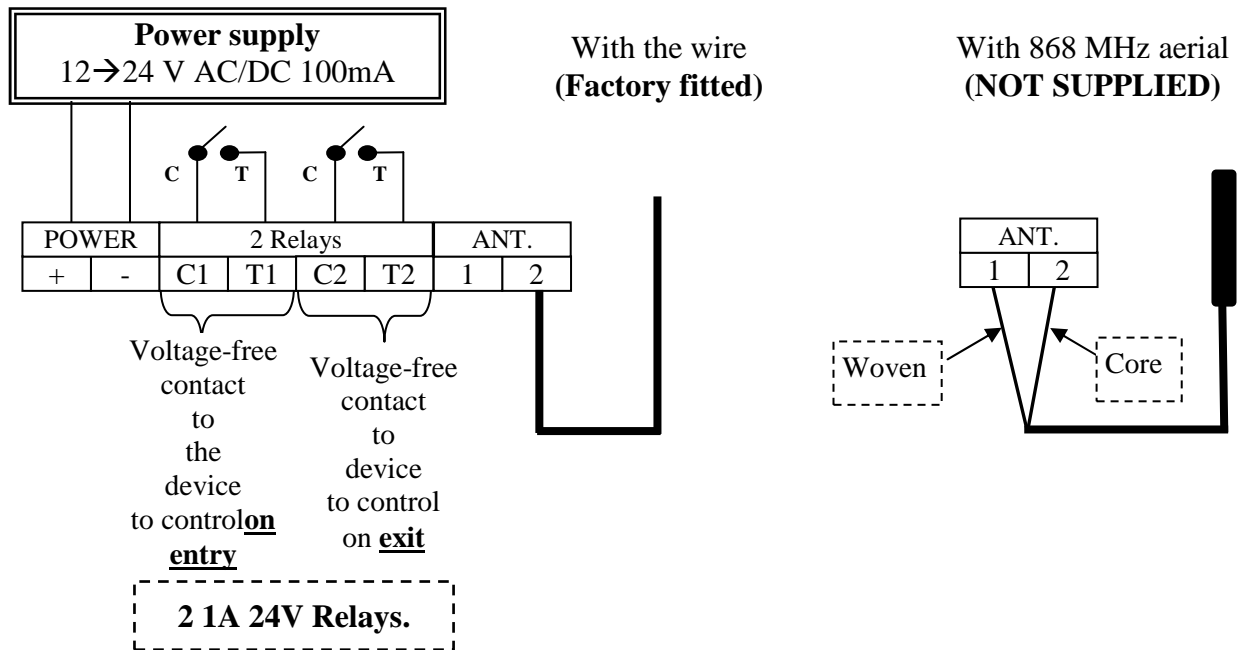
- On the web
- Read/write mode from the web
- Max 2,500 remote controls

☛ **Ensure to note the receiver's serial number. It will be needed for managing your remote controls from the Internet.**

Description of the unit's components



Cabling diagram:



Instructions to follow:



- ☞ The receiver **must not be enclosed** in a metal case or placed behind a protective area that uses wire netting. In the event that you cannot do otherwise, you must connect the 868 MHz aerial that you will install outside.
- ☞ To achieve satisfactory operation, there must be no metal obstacles between the active aerial and the normal position used for operating the remote controls. It is therefore preferable to **install the receiver in a high location** to avoid obstacles (e.g. wire netting).
- ☞ Drill the holes as accurately as possible in the cable grommets to prevent any water seeping into the receiver. Failure to comply with this requirement will void the warranty.

LED operation

State	Correspondence
1 flash every 3 seconds	<i>New unit:</i> The unit works with all Intratone remote controls whether or not they are programmed. <i>This state allows the installation of the EEN-REC3-RW receiver to be tested.</i>
2 flashes every 3 seconds	<i>Unit in operation:</i> The unit works with the remote controls programmed for residents from the website. Access control is enabled. Only the owner administrator of the receiver may authorise the remote controls for this unit.
Permanent slow flashing	<i>Pass option enabled:</i> (See below).
Light on for 1 second	<i>RF reception from a remote control.</i>
Fast flashing for 10 seconds	<i>Activation of the central unit.</i>
Fast flashing for 2 to 3 seconds	<i>Programming of a new remote control.</i>
Permanent fast flashing	<i>Memory not present or invalid.</i>

Activating the control unit

To activate the EEN-REC3-RW receiver, you must program the remote controls from the website:

- Locate the serial number of the unit you wish to activate.
- Log into the website using your login and password or by opening an account ("create an account" button).
- Create a residence and then an "EEN-REC3-RW" access type by entering the EEN-REC3-RW receiver's serial number.
- Then program the remote controls that you will distribute to the residents.
- They will automatically open the accesses controlled by the receiver. The first of them will activate the control unit.

If you need to program pass remote controls, you will need to enable the pass option by programming a specific remote control on the website ("Enable Pass Option" button on the screen of the receiver in question).

In front of the receiver, pass this remote control to activate the "Pass Option." The pass remote controls will now open.

Switches

☞ The ON state is the high position, whereas the OFF position is the low position. The receiver is supplied with the 6 switches in the OFF position corresponding to the following operation:

- **The relays are set to 5 second unlock times**
- **Receiver set for the I (ENTRY) and II (EXIT) buttons of the remote controls.**

☞ **For 2-button remote controls:**

- The left button triggers the ENTRY relay while the right button triggers the EXIT relay (if the remote control is authorised for this car park control unit).

☞ **For 4-button remote controls:**

- **Switch 4 in the OFF position:** button I for the ENTRY relay and button II for the EXIT relay (if the remote control is authorised for this car park control unit).
- **Switch 4 in the ON position:** button III for the ENTRY relay and button III for the EXIT relay (if the remote control is authorised for this car park control unit).

Setting the door unlock time

Switch 1	Switch 2	Switch 3	Unlock times of the "ENTRY" and "EXIT" relays
OFF	OFF	OFF	Relay unlock times set to 05 seconds .
ON	OFF	OFF	Relay unlock times set to 0.2 seconds .
OFF	ON	OFF	Relay unlock times set to 01 second .
ON	ON	OFF	Relay unlock times set to 03 seconds .
OFF	OFF	ON	Relay unlock times set to 10 seconds .
ON	OFF	ON	Relay unlock times set to 15 seconds .
OFF	ON	ON	Relay unlock times set to 30 seconds .
ON	ON	ON	Relay unlock times set to 60 seconds .

Channel authorised on the unit

Switch 4	Buttons (I and II) or (III and IIII)
OFF	Buttons I and II of the 4-button remote controls. Left and right buttons of 2-button remote controls
ON	Buttons III and IIII The 2-button remote controls do not operate this mode

Note:

- Switch 5 is not used.
- Switch 6 resets the EEN-REC3 HF-RW receiver (*See below*).

Reset procedure with switch No.6.

On completing this procedure, all Intratone remote controls will open the accesses controlled by the receiver. "Access control" is no longer enabled. The EEN-REC3-RW receiver will have returned to its unused state.

To proceed with the reset, do the following:

- Switch switch no. 6 of the receiver (the LED lights up) and wait until the LED flashes.
- Repeat this step twice until the LED flickers.
- As soon as the LED flashes every 3 seconds, the reset has been completed and the receiver has returned to its unused state.

Standards

The EEN-REC3-RW complies with the R&TTE Directive 1999/5/EC: electrical safety standard EN 60950(2000) applied, EMC standard EN 301 489-3 (2000) applied, radio standard EN 300 220-3 (2000) applied.

End of life product recycling:



The receiver and its accessories must not be disposed of with unsorted municipal waste, but must follow the WEEE (Waste Electrical and Electronic Equipment) collection and recycling channel.

Sizes

