

- D** Lichtschrankenpaar (Relaisgesteuert)
- F** Ensemble cellules photoélectriques (ede par relais)
- GB** Infrared sensor (Relais controled)
- NL** Infrarood sensor (relais bestuurd)

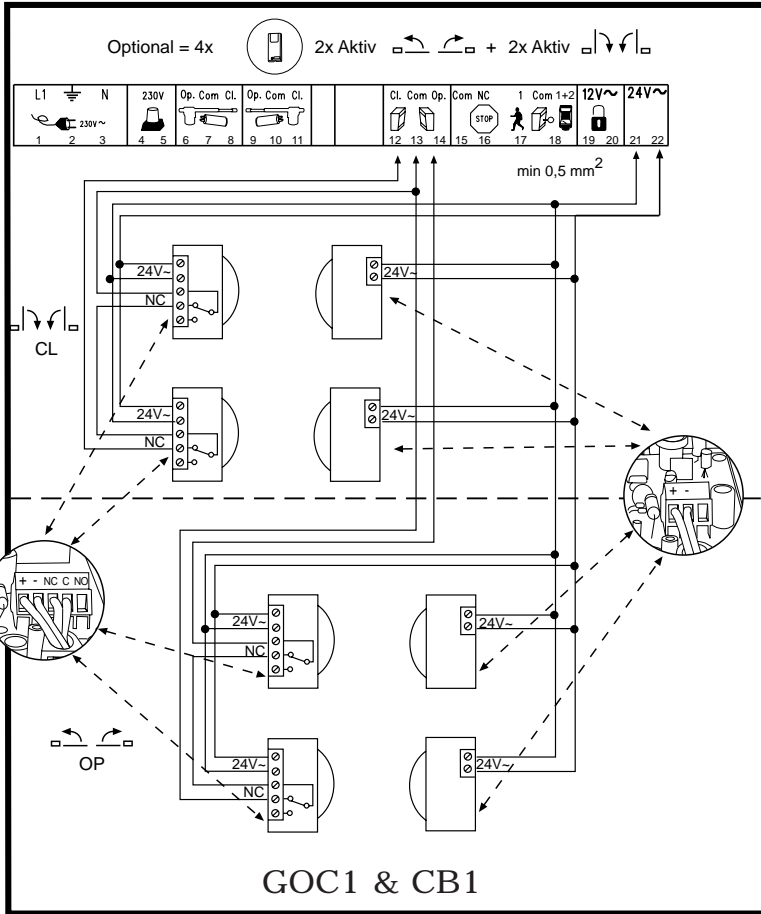
Modell

Modèle

100263

Model

Model



EC - Producer's - Declaration of Conformity

We, **Chamberlain GmbH**
 Alfred-Nobel-Strasse 4 D66793 Saarwellingen

declare, that the following machinery complies with all the essential health and safety requirements of the Directive.

Description of machinery: Infrared Sensor
 EU Directives: Type of machinery: 100263
 EC Directive for low voltage 73/23/ECC
 EC Directive electromagnetic compatibility 89/336/ECC with amendments
 Applicable harmonized standards: EN 55011, EN 55014, EN 60555-2/-3

Chamberlain GmbH
 D-66793 Saarwellingen
 March, 1999

Colin B. Willmott
 Chefingenieur Colin B. Willmott

