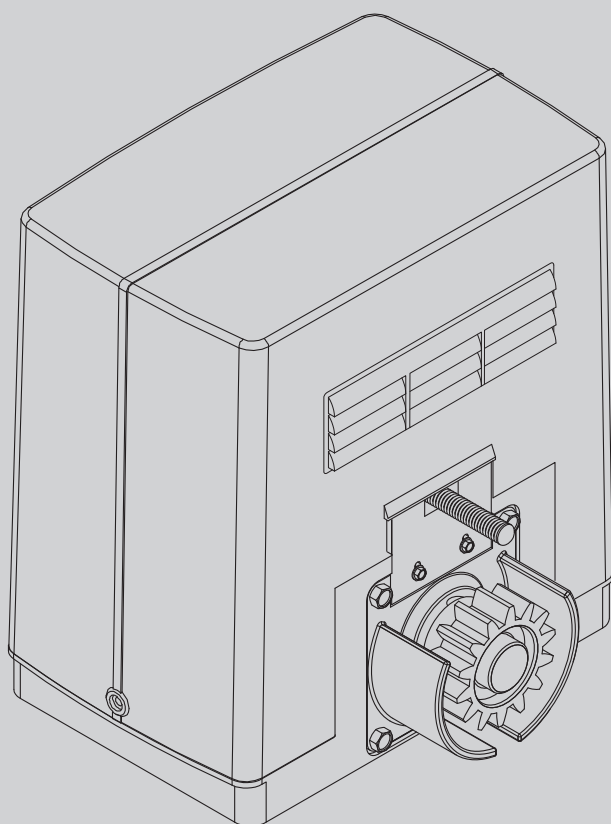




ATTUATORE PER CANCELLI SCORREVOLI A CREMAGLIERA  
 ACTUATOR FOR RACK SLIDING GATES  
 ACTIONNEUR POUR PORTAILS COULISSANTS A CREMAILLIERE  
 ANTRIEB FÜR ZAHNSTANGEN-SCHIEBETORE  
 SERVOMOTOR PARA CANCELAS CORREDERAS DE CREMALLERA  
 ACTUATOR VOOR SCHUIFHEKKEN MET TANDHEUGEL



ISTRUZIONI D'USO E DI INSTALLAZIONE  
 INSTALLATION AND USER'S MANUAL  
 INSTRUCTIONS D'UTILISATION ET D'INSTALLATION  
 INSTALLATIONS-UND GEBRAUCHSANLEITUNG  
 INSTRUCCIONES DE USO Y DE INSTALACION  
 INSTALLATIEVOORSCHRIFTEN

# DEIMOS BT H QSC

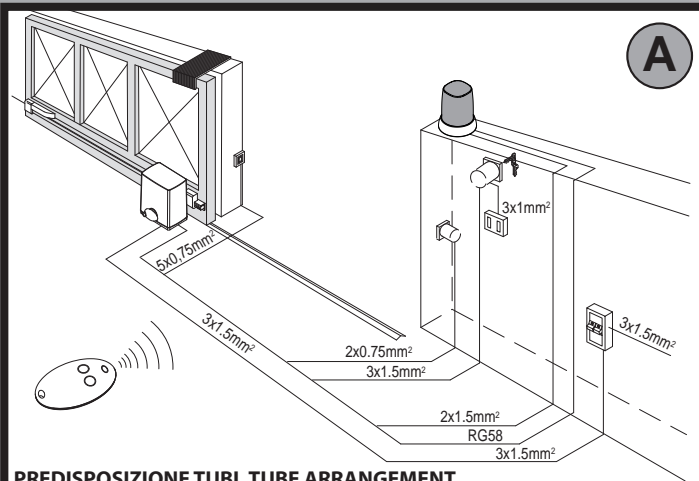
# BFT



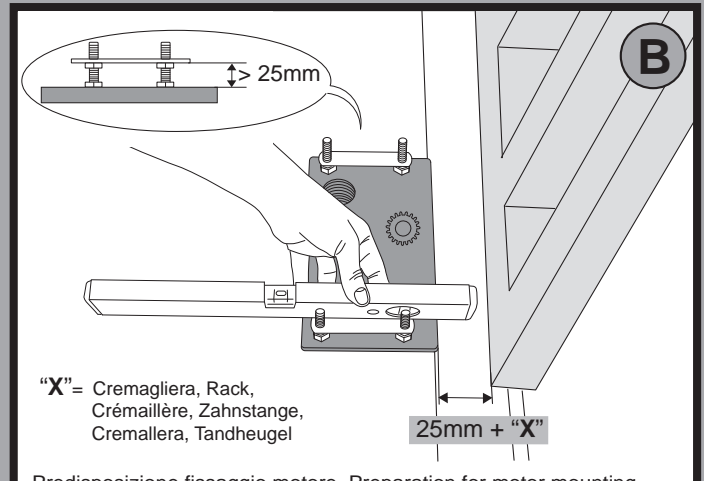
AZIENDA CON SISTEMA DI GESTIONE  
 INTEGRATO CERTIFICATO DA DNV  
 = UNI EN ISO 9001:2008 =  
 UNI EN ISO 14001:2004

# INSTALLAZIONE VELOCE-QUICK INSTALLATION-INSTALLATION RAPIDE SCHNELLINSTALLATION-INSTALACIÓN RÁPIDA - SNELLE INSTALLATIE

D811788 00100\_01

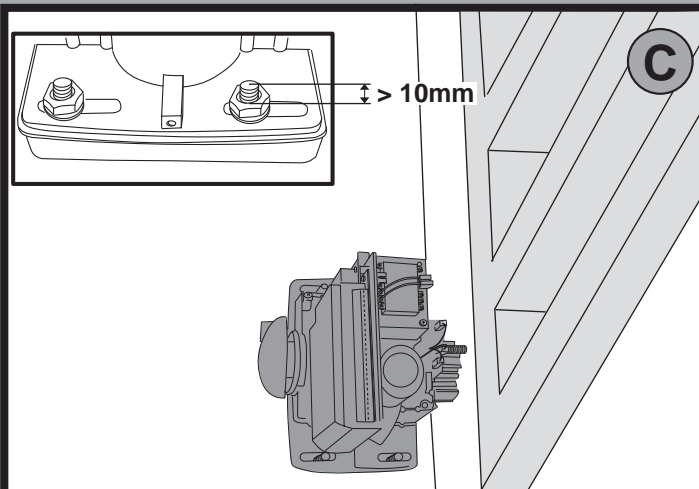


**PREDISPOSIZIONE TUBI, TUBE ARRANGEMENT,  
PRÉDISPOSITION DES TUYAUX, VORBEREITUNG DER LEITUNGEN,  
DISPOSICIÓN DE TUBOS, VOORBEREIDING LEIDINGEN.**

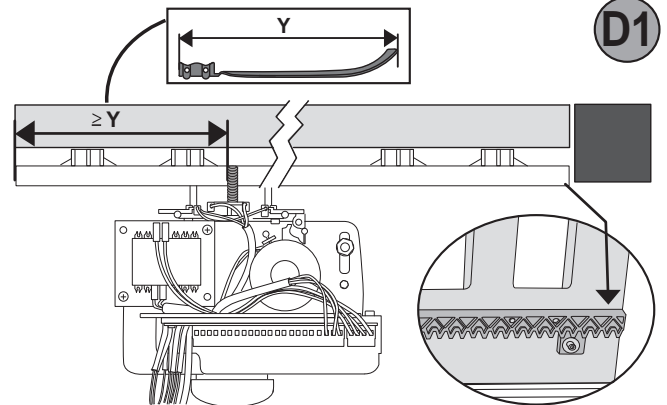
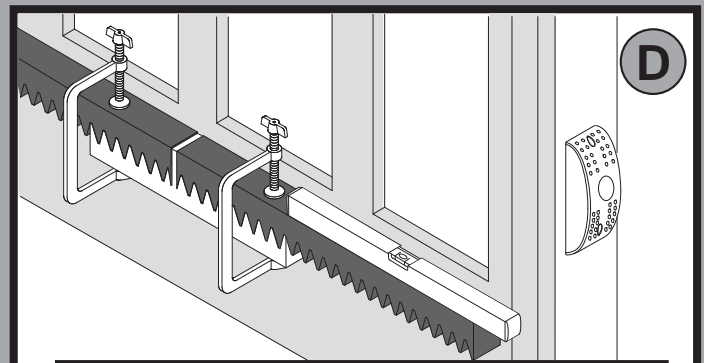


“X” = Cremagliera, Rack,  
Crémaillère, Zahnstange,  
Cremallera, Tandheugel

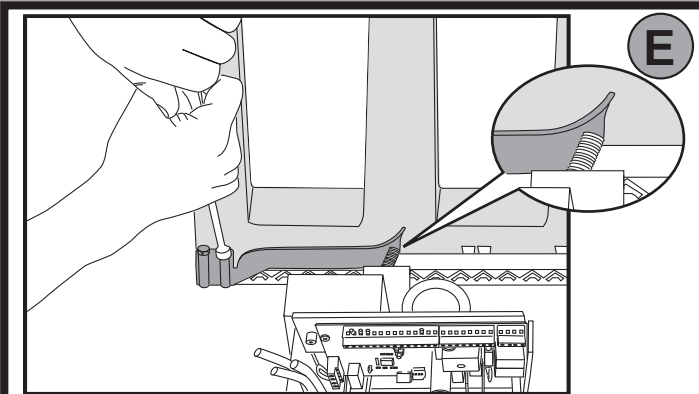
**Predisposizione fissaggio motore, Preparation for motor mounting,  
Aménagement fixation moteur, Vorbereitung Motorbefestigung,  
Disposición fijación del motor, Voorbereiding bevestiging motor.**



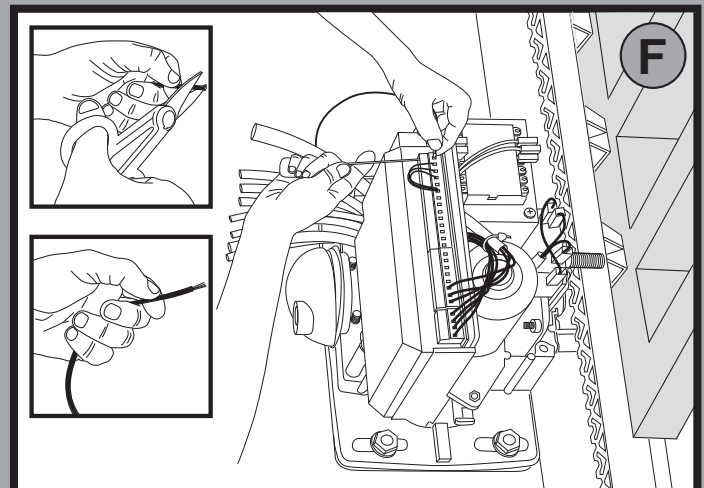
**Montaggio motore, Mounting the motor, Montage moteur,  
Montage Motor, Montaje del motor, Montage motor.**



**Montaggio accessori trasmissione, Mounting drive accessories,  
Montage accessoires transmission, Montage Antriebszubehör,  
Montaje de accesorios transmisión, Montage accessoires overbrenging.**



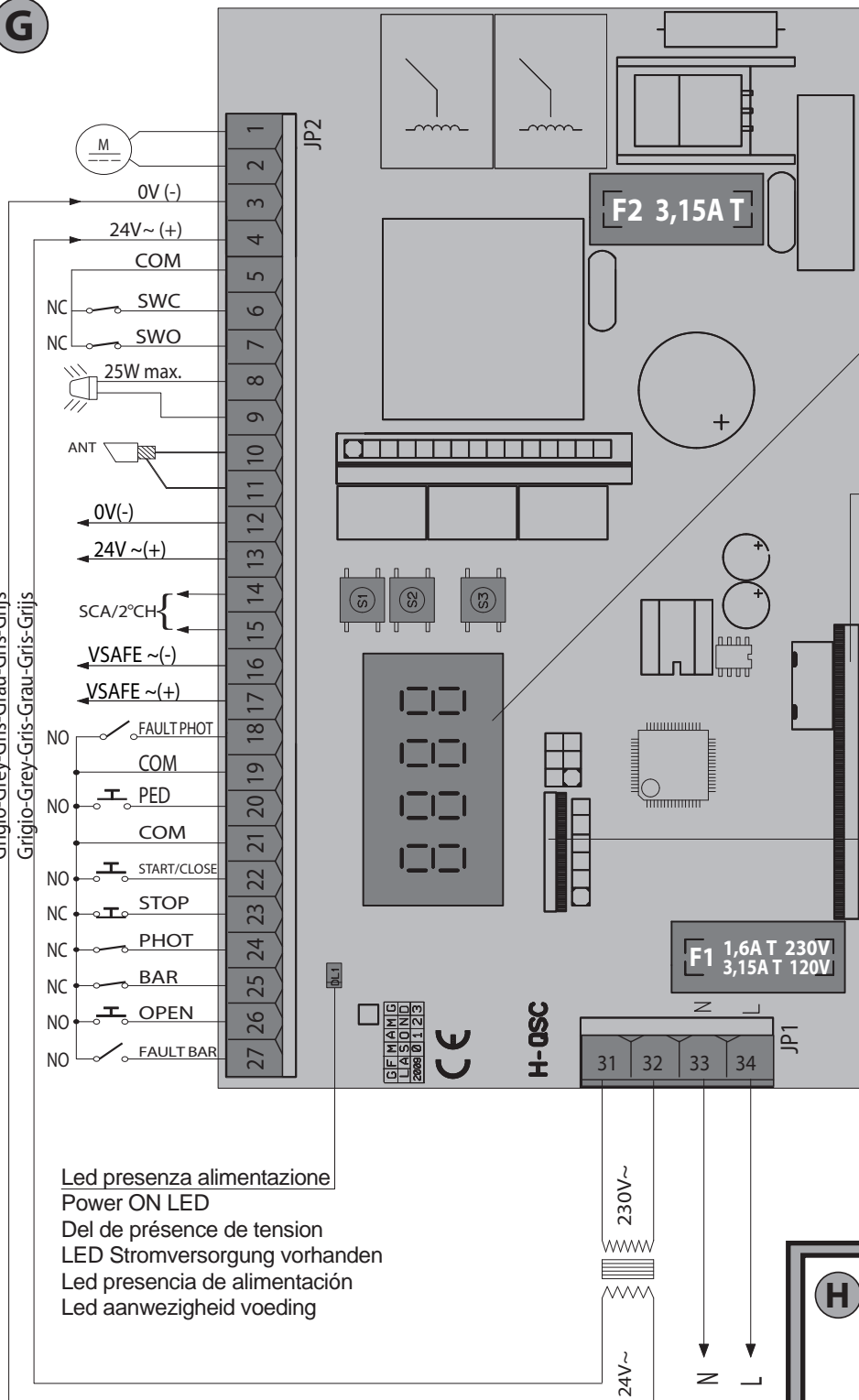
**Fissaggio staffe finecorsa (dx e sx), Fastening limit switch brackets (RH/LH),  
Fixation étriers fin de course (drt et gch), Befestigung Bügel Anschläge (rechts und links),  
Fijación abrazaderas final de carrera (der. e izq.), Bevestiging stangen aanslag (rechts en links).**



**Collegamento morsetti, Terminal board wiring,  
Connexion plaque à bornes, Anschluss Klemmleiste,  
Conexión tablero de bornes, Aansluiting aansluitkast.**

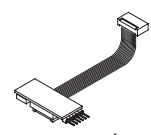


Grigio-Grey-Grau-Gris-Grijs  
Grigio-Grey-Grau-Gris-Grijs



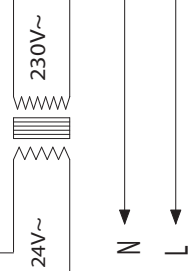
Display + tasti programmazione  
Display + programming keys  
Afficheur + touches programmation  
Display + Programmierungstasten  
Pantalla + botones programación  
Display + programmeringstoetsen

Connettore scheda opzionale  
Optional board connector  
Connecteur carte facultative  
Steckverbinder Zusatzkarte  
Conector de la tarjeta opcional  
Connector optionele kaart

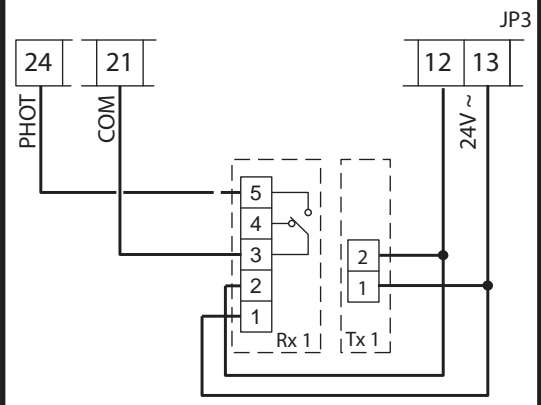


Connettore programmatore palmare,  
Palmtop programmer connector,  
Connecteur programmeur de poche,  
Steckverbinder Palmtop-Programmierer,  
Conector del programador de bolsillo,  
Connector programmeerbare palmtop

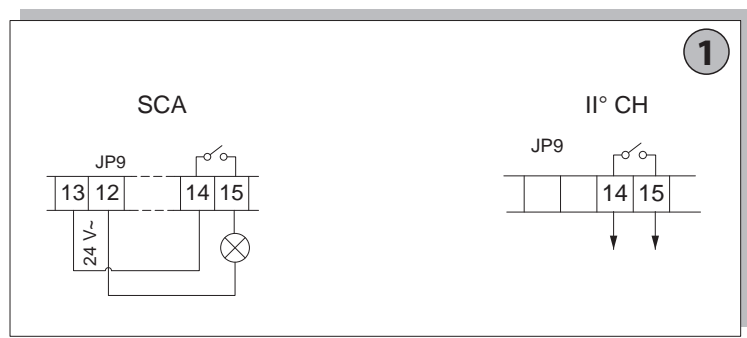
Led presenza alimentazione  
Power ON LED  
Del de présence de tension  
LED Stromversorgung vorhanden  
Led presencia de alimentación  
Led aanwezigheid voeding



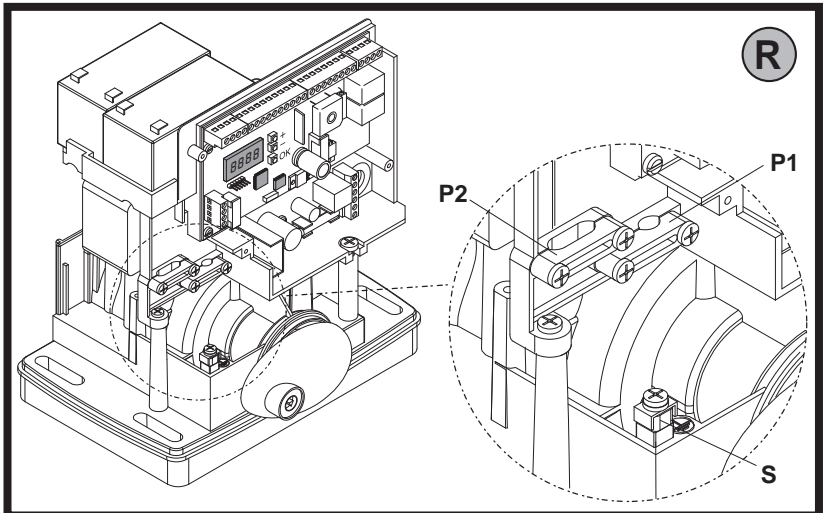
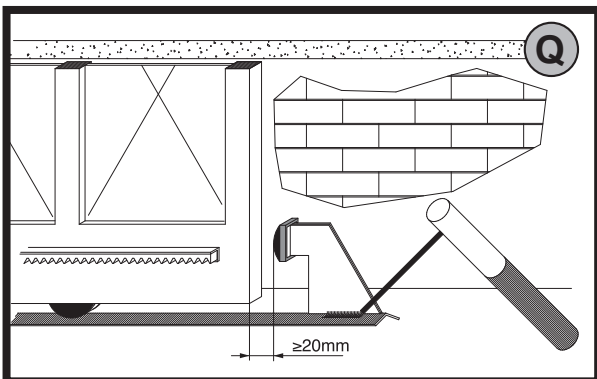
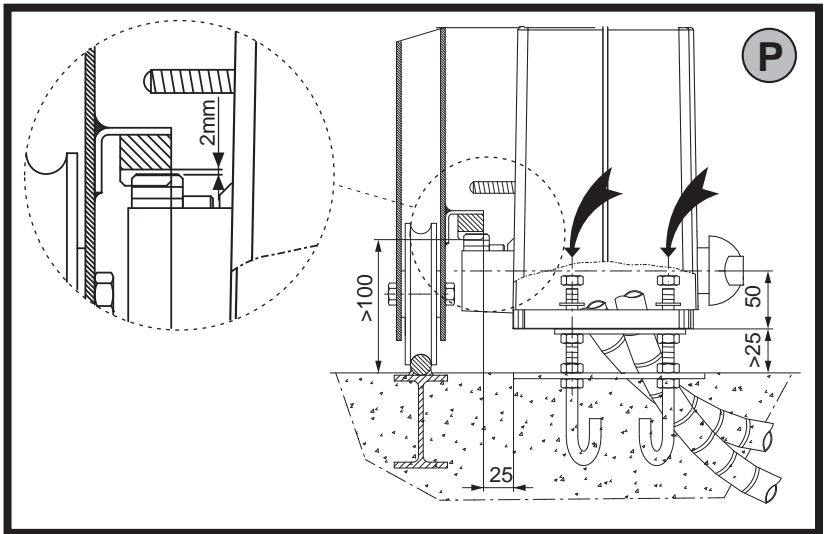
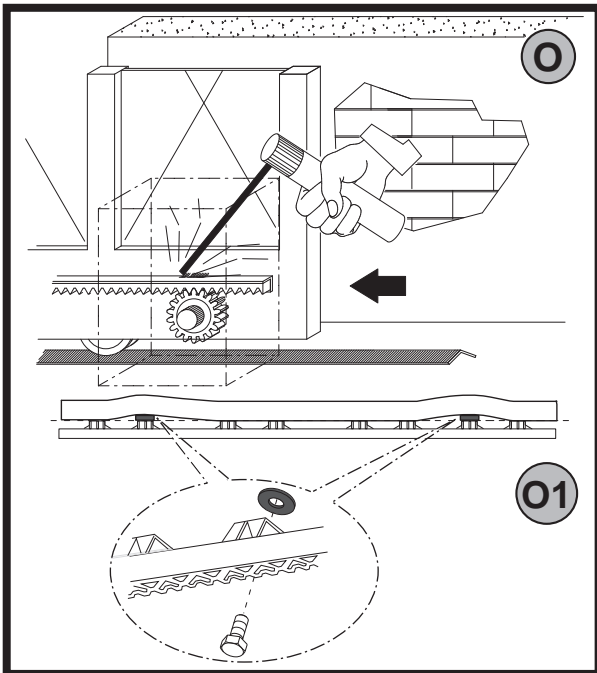
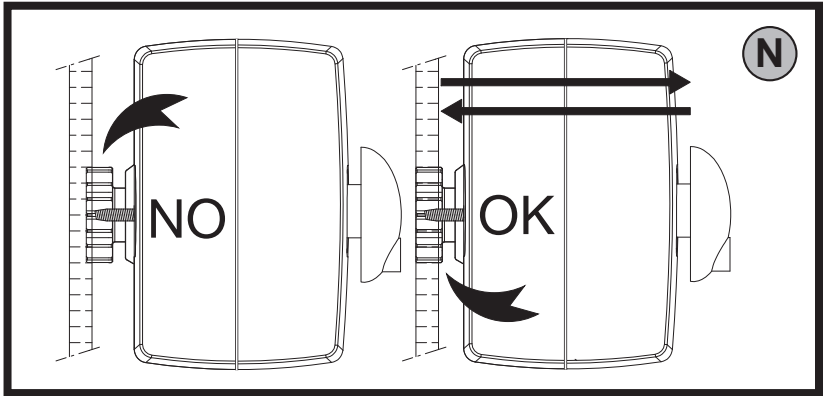
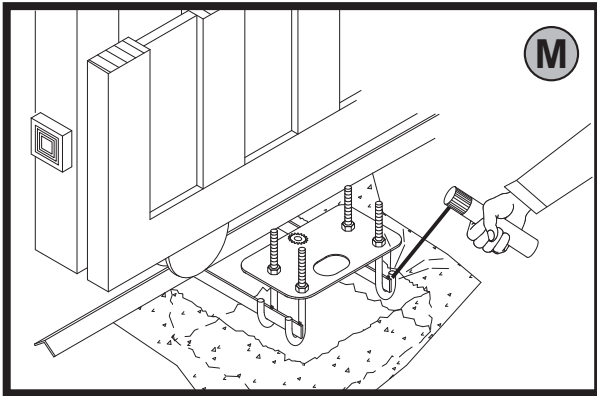
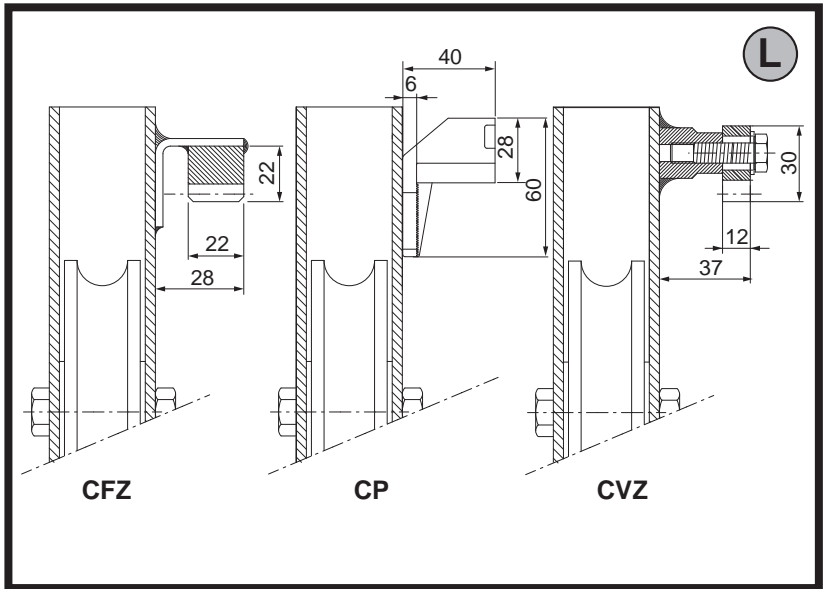
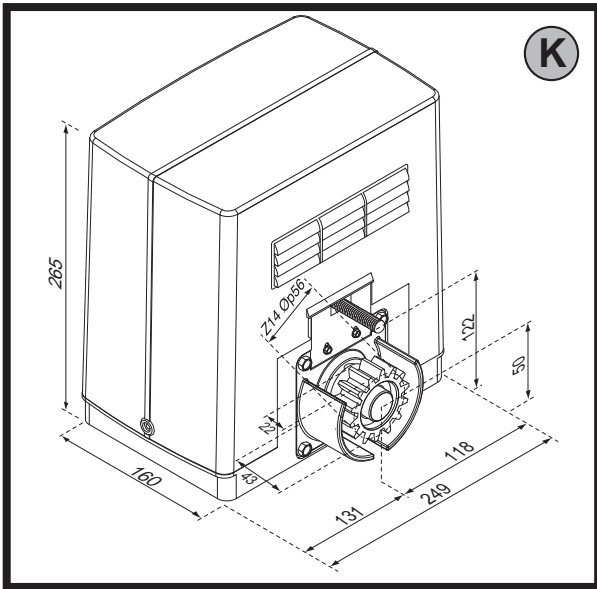
**H** Collegamento di 1 coppia fotocellule non verificate  
Connection of 1 pair of non-tested photocells  
Connexion 1 paire photocellules non vérifiées  
Anschluss von einem Paar nicht überprüften Fotozellen  
Conexión de 1 par fotocélulas no comprobadas  
Aansluiting van 1 paar fotocellen anders dan "trusted device"



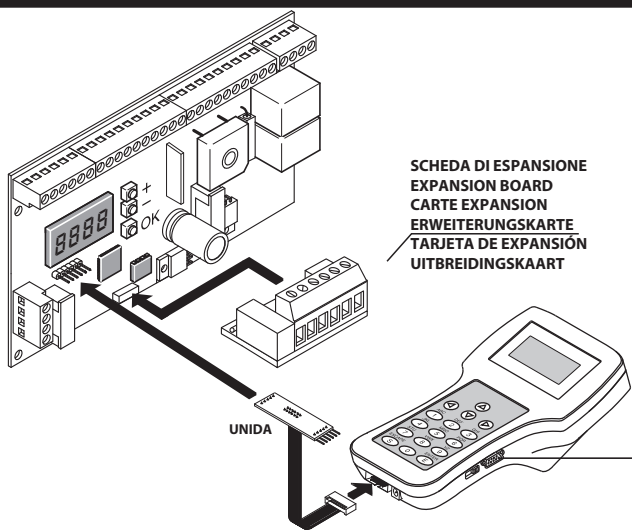
LOGICA test fotocellule OFF / Photocell test LOGIC OFF  
LOGIQUE essai photocellules Désactivée /  
LOGIK Test Fotozellen OFF  
LÓGICA prueba fotocélulas OFF / LOGICA test fotocellen OFF







S

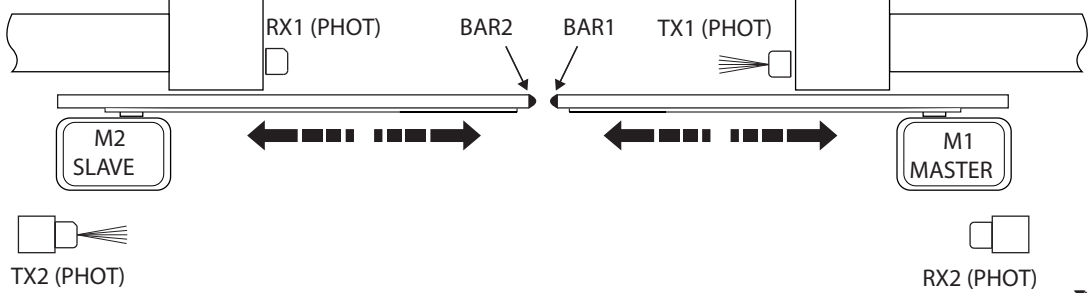


SCHEDA DI ESPANSIONE  
EXPANSION BOARD  
CARTE EXPANSION  
ERWEITERUNGSKARTE  
TARJETA DE EXPANSIÓN  
UITBREIDINGSKAART

Programmatore palmare universale  
Universal palmtop programmer  
Programmeur de poche universel  
Universellen Palmtop-Programmierer  
Programador de bolsillo universal  
Programmeerbare Universele Palmtop

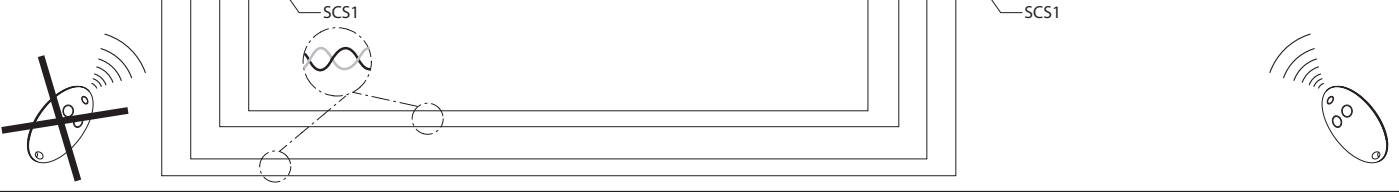
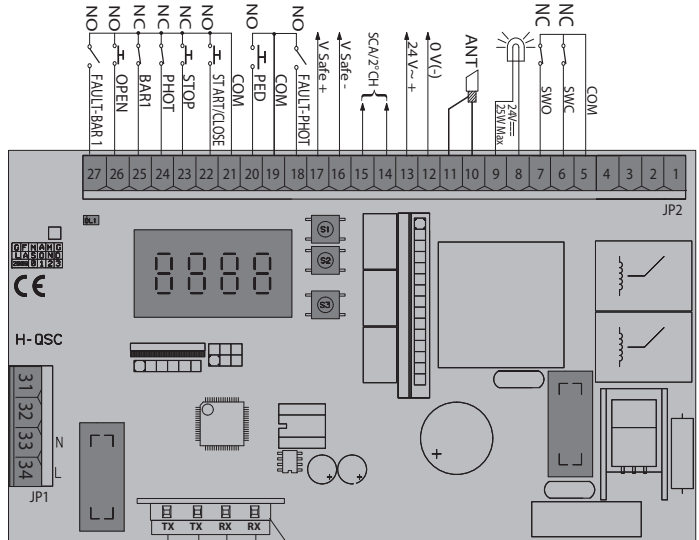
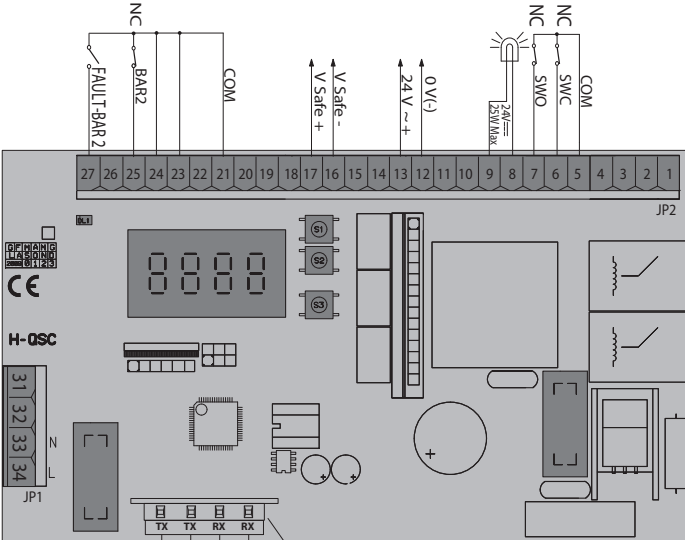
Connessione seriale per ante contrapposte, Serial connection for opposite leaves, Connexion série pour vantaux opposés, Serieller Anschluss für einander entgegengesetzte Torflügel, Conexión serial para hojas contrapuestas, Serielle verbinding voor tegenovergestelde vleugels.

T



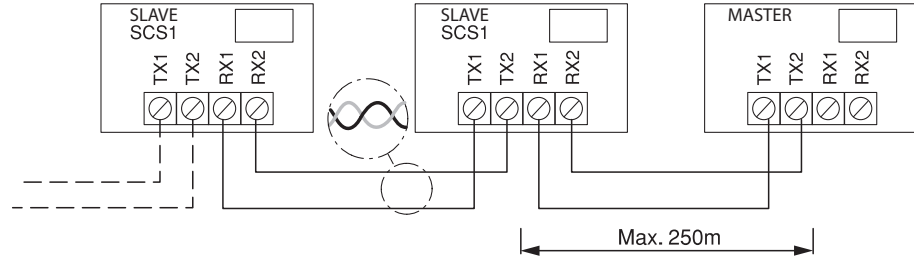
Zone=128  
MASTER=OFF

Zone=128  
MASTER=ON



Connessione Seriale Mediante Scheda SCS1, Serial Connection Via SCS1 Card, Connexion Série À Travers La Carte SCS1, Serielle Verbindung Mit Karte SCS1, Conexión Serial Mediante Tarjeta SCS1, Serielle Verbindung Mittels Kaart SCS1.

U

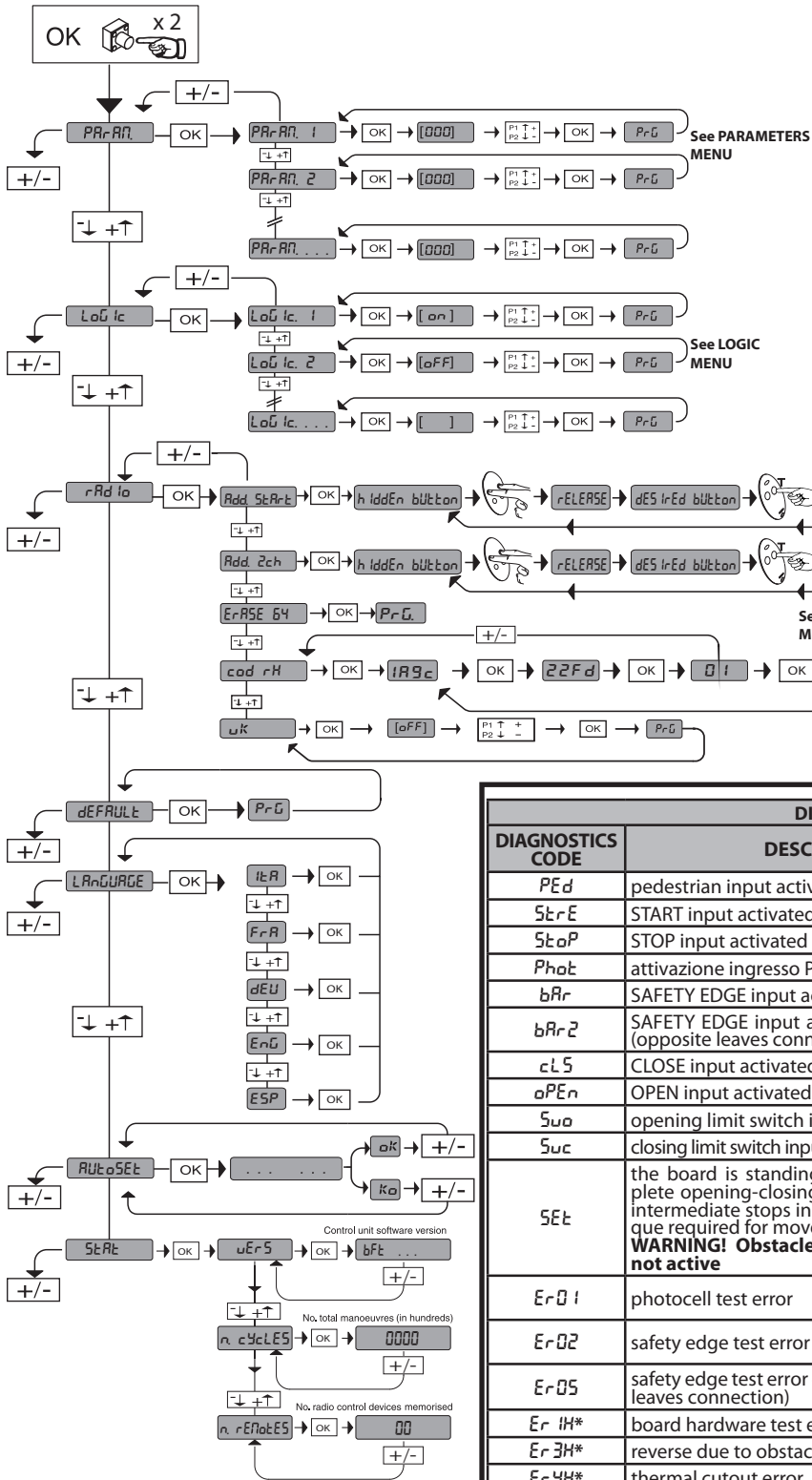






# ACCESS TO MENUS Fig. 1

D811788 00100\_01



**LEGENDA**

+
↑
Scroll up

-
↓
Scroll down

OK
↵
Confirm/Switch on display

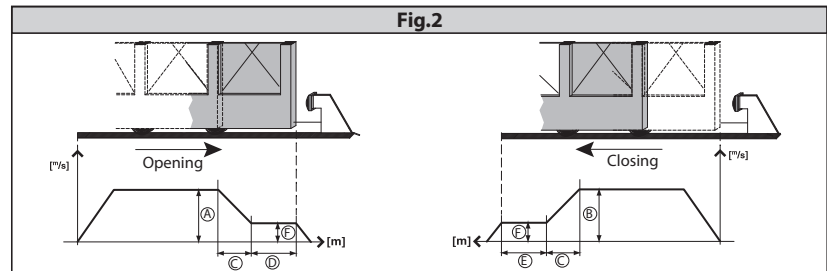
+
↵

-
↵

Exit Menü

DIAGNOSTICS and WARNINGS		
DIAGNOSTICS CODE	DESCRIPTION	NOTES
PEd	pedestrian input activated	
StArE	START input activated	
StoP	STOP input activated	
PhoE	attivazione ingresso PHOT	
bAr	SAFETY EDGE input activated	
bAr.2	SAFETY EDGE input activated on slave motor (opposite leaves connection)	
cLS	CLOSE input activated	
oPEn	OPEN input activated	
Suo	opening limit switch input activated	
Suc	closing limit switch input activated	
SEt	the board is standing by to perform a complete opening-closing cycle uninterrupted by intermediate stops in order to acquire the torque required for movement. <b>WARNING! Obstacle detection function is not active</b>	
Er01	photocell test error	check photocell connection and/or logic settings
Er02	safety edge test error	check safety edge connection and/or logic settings
Er05	safety edge test error on slave motor (opposite leaves connection)	check safety edge connection and/or parameter/logic settings
Er1H*	board hardware test error	check connections to motor
Er3H*	reverse due to obstacle	check for obstacles in path
Er4H*	thermal cutout error	Allow motor to cool
Er5H*	anomaly in communication w/ remote devices	check Scs1 serial connections
Er61	running off battery	--
ErFH*	limit switch error	check limit switch connections

\* H = 0,1,...,9,A,B,C,D,E,F



35.40 ——— Set torque threshold

————— Maximum instantaneous motor torque



## INSTALLER WARNINGS

**WARNING! Important safety instructions. Carefully read and comply with all the warnings and instructions that come with the product as incorrect installation can cause injury to people and animals and damage to property. The warnings and instructions give important information regarding safety, installation, use and maintenance. Keep hold of instructions so that you can attach them to the technical file and keep them handy for future reference.**

### GENERAL SAFETY

This product has been designed and built solely for the purpose indicated herein. Uses other than those indicated herein might cause damage to the product and create a hazard.

- The units making up the machine and its installation must meet the requirements of the following European Directives, where applicable: 2004/108/EC, 2006/95/EC, 2006/42/EC, 89/106/EC, 99/05/EC and later amendments. For all countries outside the EEC, it is advisable to comply with the standards mentioned, in addition to any national standards in force, to achieve a good level of safety.
- The Manufacturer of this product (hereinafter referred to as the "Firm") disclaims all responsibility resulting from improper use or any use other than that for which the product has been designed, as indicated herein, as well as for failure to apply Good Practice in the construction of entry systems (doors, gates, etc.) and for deformation that could occur during use.
- Installation must be carried out by qualified personnel (professional installer, according to EN 12635), in compliance with Good Practice and current code.
- Before commencing installation, check the product for damage.
- Before installing the product, make all structural changes required to produce safety gaps and to provide protection from or isolate all crushing, shearing and dragging hazard areas and danger zones in general. Check that the existing structure meets the necessary strength and stability requirements.
- The Firm is not responsible for failure to apply Good Practice in the construction and maintenance of the doors, gates, etc. to be motorized, or for deformation that might occur during use.
- Make sure the stated temperature range is compatible with the site in which the automated system is due to be installed.
- Do not install this product in an explosive atmosphere: the presence of flammable fumes or gas constitutes a serious safety hazard.
- Disconnect the electricity supply before performing any work on the system. Also disconnect buffer batteries, if any are connected.
- Before connecting the power supply, make sure the product's ratings match the mains ratings and that a suitable residual current circuit breaker and overcurrent protection device have been installed upline from the electrical system. Have the automated system's mains power supply fitted with a switch or omnipolar thermal-magnetic circuit breaker with a contact separation of at least 3.0mm and any other equipment required by code.
- Make sure that upline from the mains power supply there is a residual current circuit breaker that trips at no more than 0.03A as well as any other equipment required by code.
- Make sure the earth system has been installed correctly: earth all the metal parts belonging to the entry system (doors, gates, etc.) and all parts of the system featuring an earth terminal.
- Installation must be carried out using safety devices and controls that meet standards EN 12978 and EN 12453.
- Impact forces can be reduced by using deformable edges.
- In the event impact forces exceed the values laid down by the relevant standards, apply electro-sensitive or pressure-sensitive devices.
- Apply all safety devices (photocells, safety edges, etc.) required to keep the area free of impact, crushing, dragging and shearing hazards. Bear in mind the standards and directives in force, Good Practice criteria, intended use, the installation environment, the operating logic of the system and forces generated by the automated system.
- Apply all signs required by current code to identify hazardous areas (residual risks). All installations must be visibly identified in compliance with the provisions of standard EN 13241-1.
- This product cannot be installed on leaves incorporating doors (unless the motor can be activated only when the door is closed).
- If the automated system is installed at a height of less than 2.5 m or is accessible, the electrical and mechanical parts must be suitably protected.
- Install any fixed controls in a position where they will not cause a hazard, away from moving parts. More specifically, hold-to-run controls must be positioned within direct sight of the part being controlled and, unless they are key operated, must be installed at a height of at least 1.5 m and in a place where they cannot be reached by the public.
- Apply at least one warning light (flashing light) in a visible position, and also attach a Warning sign to the structure.
- Attach a label near the operating device, in a permanent fashion, with information on how to operate the automated system's manual release.
- Make sure that, during operation, mechanical risks are avoided or relevant protective measures taken and, more specifically, that nothing can be banged, crushed, caught or cut between the part being operated and surrounding parts.
- Once installation is complete, make sure the motor automation settings are correct and that the safety and release systems are working properly.
- Only use original spare parts for any maintenance or repair work. The Firm disclaims all responsibility for the correct operation and safety of the automated system if parts from other manufacturers are used.
- Do not make any modifications to the automated system's components unless explicitly authorized by the Firm.
- Instruct the system's user on what residual risks may be encountered, on the control systems that have been applied and on how to open the system manually in an emergency. Give the user guide to the end user.
- Dispose of packaging materials (plastic, cardboard, polystyrene, etc.) in accordance with the provisions of the laws in force. Keep nylon bags and polystyrene out of reach of children.

### WIRING

**WARNING!** For connection to the mains power supply, use: a multicore cable with a cross-sectional area of at least 5x1.5mm<sup>2</sup> or 4x1.5mm<sup>2</sup> when dealing with three-phase power supplies or 3x1.5mm<sup>2</sup> for single-phase supplies (by way of example, type H05 VV-F cable can be used with a cross-sectional area of 4x1.5mm<sup>2</sup>). To connect auxiliary equipment, use wires with a cross-sectional area of at least 0.5 mm<sup>2</sup>.

- Only use pushbuttons with a capacity of 10A-250V or more.
- Wires must be secured with additional fastening near the terminals (for example, using cable clamps) in order to keep live parts well separated from safety extra low voltage parts.
- During installation, the power cable must be stripped to allow the earth wire to be connected to the relevant terminal, while leaving the live wires as short as possible. The earth wire must be the last to be pulled taut in the event the cable's fastening device comes loose.

**WARNING!** safety extra low voltage wires must be kept physically separate from low voltage wires.

Only qualified personnel (professional installer) should be allowed to access live parts.

### CHECKING THE AUTOMATED SYSTEM AND MAINTENANCE

Before the automated system is finally put into operation, and during maintenance work, perform the following checks meticulously:

- Make sure all components are fastened securely.
- Check starting and stopping operations in the case of manual control.
- Check the logic for normal or personalized operation.
- For sliding gates only: check that the rack and pinion mesh correctly with 2 mm of play; keep the track the gate slides on clean and free of debris at all times.
- Check that all safety devices (photocells, safety edges, etc.) are working properly and that the anti-crush safety device is set correctly, making sure that the force of impact measured at the points provided for by standard EN 12445 is lower than the value laid down by standard EN 12453.
- Make sure that the emergency operation works, where this feature is provided.
- Check opening and closing operations with the control devices applied.
- Check that electrical connections and cabling are intact, making extra sure that insulating sheaths and cable glands are undamaged.
- While performing maintenance, clean the photocells' optics.
- When the automated system is out of service for any length of time, activate the emergency release (see "EMERGENCY OPERATION" section) so that the operated part is made idle, thus allowing the gate to be opened and closed manually.

### SCRAPPING

Materials must be disposed of in accordance with the regulations in force. There are no particular hazards or risks involved in scrapping the automated system. For the purpose of recycling, it is best to separate dismantled parts into like materials (electrical parts - copper - aluminium - plastic - etc.).

### DISMANTLING

If the automated system is being dismantled in order to be reassembled at another site, you are required to:

- Cut off the power and disconnect the whole electrical system.
- Remove the actuator from the base it is mounted on.
- Remove all the installation's components.
- See to the replacement of any components that cannot be removed or happen to be damaged.

**Anything that is not explicitly provided for in the installation manual is not allowed. The operator's proper operation can only be guaranteed if the information given is complied with. The Firm shall not be answerable for damage caused by failure to comply with the instructions featured herein.**

**While we will not alter the product's essential features, the Firm reserves the right, at any time, to make those changes deemed opportune to improve the product from a technical, design or commercial point of view, and will not be required to update this publication accordingly.**

## 1) FOREWORD

The **DEIMOS BT H QSC** actuator is highly versatile in terms of installation options due to the extremely low position of the pinion, the actuator's compact nature and the height and depth adjustment features it offers. The adjustable electronic torque limiter provides anti-crush safety. Manual emergency operation is extremely easy to perform using just a knob. Stopping at end of travel is controlled by electromechanical microswitches. The built-in control panel controls the start relays and safety devices (photocells, safety edge) each time before performing any operation.

## 2) TECHNICAL SPECIFICATIONS

MOTOR	
Power supply	single-phase 230V ±10%, 50Hz (*)
Motor	24V ---
Power input	70W
Max. current demand	0,5A (230V~) - 1A (110V~)
Pinion module	4mm (14 teeth)
Leaf speed	12m/min
Max. leaf weight	5000N (≈500kg)
Max. torque	20Nm
Impact reaction	Electronic torque limiter
Lubrication	Lifetime greased
Manual operation	Knob-operated mechanical release
Type of use	intensive
Buffer batteries (optional extras)	Two 12V 1.2Ah batteries
Environmental conditions	from -15°C to +40°C
Protection rating	IP24
Noise level	<70dBA
Operator weight	7kg (≈70N)
Dimensions	See Fig. K
CONTROL UNIT	
Accessories power supply	24V ~ (180 mA)
Fuses	Fig. G
Built-in Rolling-Code radio-receiver	frequency 433.92MHz
Setting of parameters and options	Universal handheld programmer/LCD display
N° of combinations	4 billion
Max. n° of remotes that can be memorized	63

(\*) Special supply voltages to order.

### Usable transmitter versions:

All ROLLING CODE transmitters compatible with  ((€R-Ready))

## 3) TUBE ARRANGEMENT Fig.A

Install the electrical system referring to the standards in force for electrical systems CEI 64-8, IEC 364, harmonization document HD 384 and other national standards.


## 4) PREPARATION FOR MOTOR MOUNTING FIG.B

- Make a hole in the ground to accommodate the concrete pad, with anchors embedded in the base plate for fastening the gearbox assembly, keeping to the distances featured in **FIG.B**.
- To keep the base plate in the right position during installation, it may be useful to weld two iron plates under the track to which the anchors can then be welded (**FIG.M**).

## 5) MOUNTING THE MOTOR FIG.C

## 6) MOUNTING DRIVE ACCESSORIES FIG.D-D1

## 7) RACK CENTRING WITH RESPECT TO PINION FIG.N-O1-P

 **DANGER - Welding must be performed by a competent person issued with the necessary personal protective equipment as prescribed by the safety rules in force FIG.O.**

## 8) FASTENING LIMIT SWITCH BRACKETS FIG.E

## 9) STOPS FIG.Q

 **DANGER - The gate must be fitted with mechanical stops to halt its travel both when opening and closing, thus preventing the gate from coming off the top guide. Said stops must be fastened firmly to the ground, a few centimetres beyond the electric stop point.**

20 - DEIMOS BT H QSC

## 10) MANUAL JERK (See USER GUIDE -FIG.2-).

**Warning Do not JERK the gate open and closed, instead push it GENTLY to the end of its travel.**

## 11) TERMINAL BOARD WIRING Fig. F-G

Once suitable electric cables have been run through the raceways and the automated device's various components have been fastened at the predetermined points, the next step is to connect them as directed and illustrated in the diagrams contained in the relevant instruction manuals. Connect the live, neutral and earth wire (compulsory). The mains cable must be clamped in the relevant cable gland (**FIG.R-ref.P1**), and the accessories' wires in the cable gland (**FIG.R-ref.P2**), while the earth wire with the yellow/green-coloured sheath must be connected in the relevant terminal (**FIG.R-ref.S**).

TERMINAL	DESCRIPTION
1-2	Motor connection.
3-4	24V transformer secondary windin (3-, 4+).
5-6	Closing limit switch SWC (5 Black common - 6 Red).
5-7	Opening limit switch SWO (5 Black common -7 Brown).
8-9	Flashing light 24V max. 25W.
10-11	Antenna (10 signal - 11 braiding). <b>Use an antenna tuned to 433MHz.</b> <b>Use RG58 coax cable to connect the Antenna and Receiver.</b> Metal bodies close to the antenna can interfere with radio reception. If the transmitter's range is limited, move the antenna to a more suitable position.
12-13	Accessories power supply: 24 V operation with mains power on. 24 V (12-,13+) operation with no mains power and optional buffer battery kit.
14-15	Free contact (NO). Gate Open Light SCA (24V max. 3W) or 2nd radio channel output ( <b>FIG.G-ref.1</b> ). This option can be set via the "logic menu".
16-17	Safety device power supply output (photocell transmitter and safety edge transmitter). <b>N.B.: output active only during operating cycle.</b> 24 V Vsafe operation with mains power on. 24 V (16-,17+) Vsafe operation with no mains power and optional buffer battery kit.
18	Safety device test input <b>FAULT - PHOT</b> (N.O.).
19-20	<b>PEDESTRIAN</b> control button (N.O.) Opens the gate by the distance set with the "Partial Opening" parameter
21-22	<b>START/CLOSE</b> control button (N.O.). This option can be set via the "logic menu". Start - operation according to 3/4-step logic Close - The command causes the leaf to close.
21-23	<b>STOP</b> input (N.C.) The command stops movement. If not used, leave jumper inserted.
21-24	<b>PHOTOCELL</b> input (N.C.) Operation according to photocell during opening logic. If not used, leave jumper inserted.
21-25	Safety edge input <b>BAR</b> (NC). The command reverses movement for 2 secs. If not used, leave jumper inserted.
21-26	<b>OPEN</b> control button (N.O.). Gate opened with this command.
27	Safety device test input <b>FAULT - BAR</b>
31-32	230V~ transformer primary winding.
33-34	Single-phase power supply 230V, 50-60Hz (33N - 34L).

## 12) SAFETY DEVICES

**NOTE: ONLY USE RECEIVING SAFETY DEVICES WITH FREE CHANGEOVER CONTACT.**

### 12.1) TESTED DEVICES (FIG. U)

### 12.2) NON-TESTED DEVICES (FIG. H, U)

## 13) CALLING UP MENUS: FIG. 1

### 13.1) PARAMETERS MENU (PAr-Rf) (PARAMETERS TABLE "A")

### 13.2) LOGIC MENU (LoG ic) (LOGIC TABLE "B")

### 13.3) RADIO MENU (rAd io) (RADIO TABLE "C")

- **IMPORTANT NOTE: THE FIRST TRANSMITTER MEMORIZED MUST BE IDENTIFIED BY ATTACHING THE KEY LABEL (MASTER).**

In the event of manual programming, the first transmitter assigns the RECEIVER'S KEY CODE: this code is required to subsequently clone the radio transmitters. The Clonix built-in on-board receiver also has a number of important advanced features:

- Cloning of master transmitter (rolling code or fixed code).
- Cloning to replace transmitters already entered in receiver.
- Transmitter database management.
- Receiver community management.

To use these advanced features, refer to the universal handheld programmer's instructions and to the general receiver programming guide.

### 13.4) LANGUAGE MENU (LANGUAGE)

Used to set the programmer's language on the display.

### 13.5) DEFAULT MENU (DEFAULT)

Restores the controller's DEFAULT factory settings. Following this reset, you will need to run the AUTOSSET function again.

### 13.6) AUTOSSET MENU (AUTOSSET)

- Launch an autaset operation by going to the relevant menu on the panel.
- As soon as you press the OK button, the "....." message is displayed and the control unit commands the door to perform a full cycle (opening followed by closing), during which the minimum torque value required for the door to move is set automatically.

The number of cycles required for the autaset function can range from 1 to 3. During this stage, it is important to avoid breaking the photocells' beams and not to use the START and STOP commands or the display.

Once this operation is complete, the control unit will have automatically set the optimum torque values. Check them and, where necessary, edit them as described in the programming section.

**WARNING:** Check that the force of impact measured at the points provided for by standard EN 12445 is lower than the value laid down by standard EN 12453.

**Warning!!** While the autaset function is running, the obstacle detection function is not active. Consequently, the installer must monitor the automated system's movements and keep people and property out of range of the automated system.

### 14) CONNECTION WITH EXPANSION BOARDS AND UNIVERSAL HANDHELD PROGRAMMER (Fig.S)

Refer to specific manual.

### 15) SCS OPTIONAL MODULES

#### 15.1) SERIAL CONNECTION VIA SCS1 CARD (Fig. U)

The control panel's special serial inputs and outputs (SCS1) make the centralized connection of a number of automated devices possible. That way, all the automated devices connected can be opened or closed with a single command.

Connect all control panels using twisted pair cabling only, proceeding as shown in the diagram in Fig. U.

When using a telephone cable with more than one pair, it is essential to use wires from the same pair.

**The length of the telephone cable between one unit and the next must not be greater than 250 m.**

At this point, each control panel needs to be configured appropriately, starting by entering a MASTER control panel that will have control over all the others, which therefore have to be set as SLAVE units (see logic menu).

Also set the Zone number (see parameters menu) in the range 0 to 127.

The zone number allows you to create groups of automated devices, each of which answers to the Zone Master. Each zone can have only one Master: the Master of zone 0 also controls the Slaves of the other zones. **Warning:** the control panel set as the MASTER must be the first in the series.

#### 15.2) Opposite sliding leaves (Fig. T)

By means of a serial connection, it is also possible to obtain centralised control of two opposite barriers/gates.

In this case, the Master M1 control panel will simultaneously manage closing and opening for the Slave M2 control panel.

SETTING REQUIRED FOR OPERATION:

- MASTER board: ZONE=128, FIRST=ON
- SLAVE board: ZONE=128, FIRST=OFF

WIRING REQUIRED FOR OPERATION:

- The MASTER and SLAVE control units are interconnected through the 4 wires (RX/TX) for the SCS1 interface boards;
- All the activation controls, as well as the remote controls must refer to the MASTER board;
- All the photocells (checked or unchecked) must be connected to the MASTER control panel;
- The safety edges (checked or unchecked) of the MASTER leaf must be connected to the MASTER control unit;
- The safety edges (checked or unchecked) of the SLAVE leaf must be connected to the SLAVE control unit.

#### 15.3) EXPANDING OUTPUTS FOR SAFETY DEVICE TESTING VIA SCS-MA BOARD (FIG. V)

When testing more than 2 devices (Ref. 4, 5, D, E Fig. V), the SCS-MA auxiliary board must be used.

#### 15.4) Interface with WIEGAND systems via SCS-WIE module.

Refer to the SCS-WIE module's instructions.

### 13.1) TABLE A: PARAMETERS MENU (PARAM)

Parameter	min.	max.	default	personal	Definition	Description
tCR	0	120	40		<b>Automatic Closing Time</b>	Automatic closing time [s]
SLow SPEED	15	50	15		<b>Slow-down speed</b>	Slow-down speed [%] (Fig.2 Rif. F) Set the speed the gate must reach slowing down, in percentage to the actuator's maximum speed. <b>WARNING:</b> should this parameter be edited, it will be followed by a complete opening/closing cycle for setting purposes (reported by the message "SET" appearing on the display), during which obstacle detection is not enabled.
oPt SLow	1	99	75		<b>Opening motor torque</b>	Opening torque [%] Sets sensitivity to obstacles during opening (1=min., 99=mx.) The autaset feature sets this parameter automatically to a value of 10%. The user can edit this parameter based on how sensitive the door needs to be to obstacles.
cLSt SLow	1	99	75		<b>Closing motor torque</b>	Closing torque [%] Sets sensitivity to obstacles during closing (1=min., 99=mx.) The autaset feature sets this parameter automatically to a value of 10%. The user can edit this parameter based on how sensitive the door needs to be to obstacles.
oP SPEED	15	99	99		<b>Speed during opening</b>	Running speed during opening [%] (Fig. 2 Rif. A) Sets the running speed that the door must reach during opening, as a percentage of the maximum speed the actuator can reach. <b>WARNING:</b> should this parameter be edited, it will be followed by a complete opening/closing cycle for setting purposes (reported by the message "SET" appearing on the display), during which obstacle detection is not enabled.
cL SPEED	15	99	99		<b>Speed during closing</b>	Running speed during closing [%] (Fig. 2 Rif. B) Sets the running speed that the door must reach during closing, as a percentage of the maximum speed the actuator can reach. The autaset feature sets this parameter automatically. <b>WARNING:</b> should this parameter be edited, it will be followed by a complete opening/closing cycle for setting purposes (reported by the buzzer emitting a continuous beeping sound and the message SET appearing on the display), during which obstacle detection is not enabled.
PRt RL oPENtG	10	99	40		<b>Partial opening</b>	Partial opening [%] Adjusts partial opening percentage compared to total opening in "Partial open" mode.
ZonE	0	128	0		<b>Zone</b>	Zone [] Sets the zone number of the door included in the serial connection for commands via central controllers. Zone 128: Serial connection for opposite Sliding Leaves.
dSt. dEcEL (special par 18*)	0	50	0		<b>Slow-down distance</b>	Slow-down distance [%] (Fig.2 Rif. C) Set the distance the gate needs to go from high to low speed in percentage to total travel. <b>WARNING:</b> should this parameter be edited, it will be followed by a complete opening/closing cycle for setting purposes (reported by the message "SET" appearing on the display), during which obstacle detection is not enabled.
oPdSt. dEcEL (special par 19*)	5	50	10		<b>Opening deceleration space</b>	Opening deceleration space [%] (Fig.2 Rif. D) Set the opening slow-down distance in percentage to total travel. This distance is covered at low speed. <b>WARNING:</b> should this parameter be edited, it will be followed by a complete opening/closing cycle for setting purposes (reported by the message "SET" appearing on the display), during which obstacle detection is not enabled.
cLdSt. dEcEL (special par 20*)	5	50	10		<b>Closing deceleration space</b>	Closing slow-down distance [%] (Fig.2 Rif. E) Set the closing slow-down distance in percentage to total travel. This distance is covered at low speed. <b>WARNING:</b> should this parameter be edited, it will be followed by a complete opening/closing cycle for setting purposes (reported by the message "SET" appearing on the display), during which obstacle detection is not enabled.

\*=Refer for universal handheld programmer.



# INSTALLATION MANUAL

D811788 00100\_01

**13.2) TABLE "B" - LOGIC MENU - (L o U , c)**

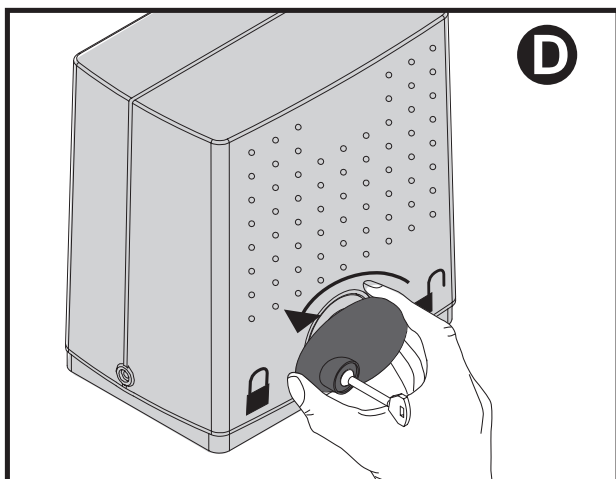
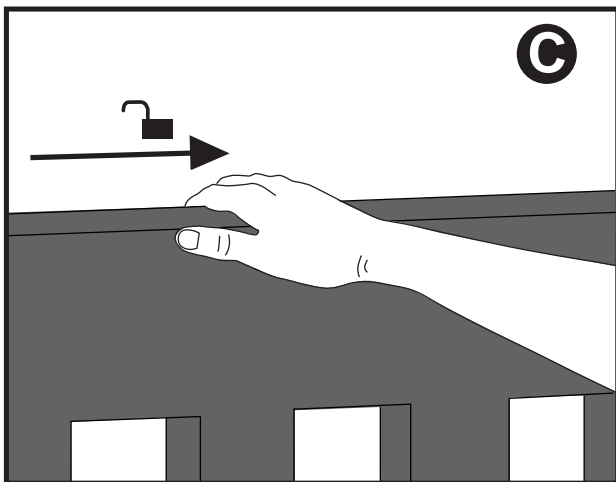
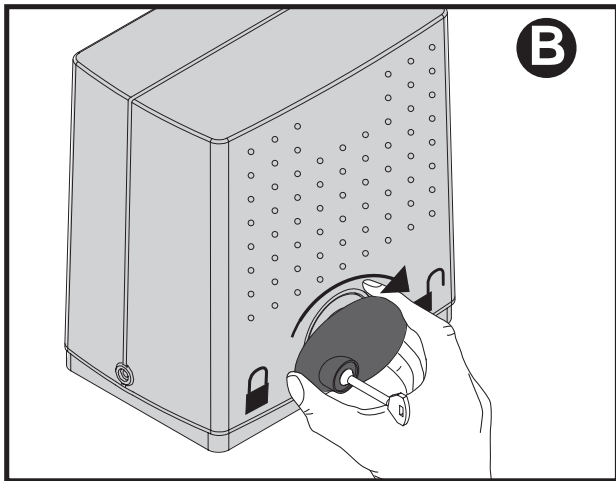
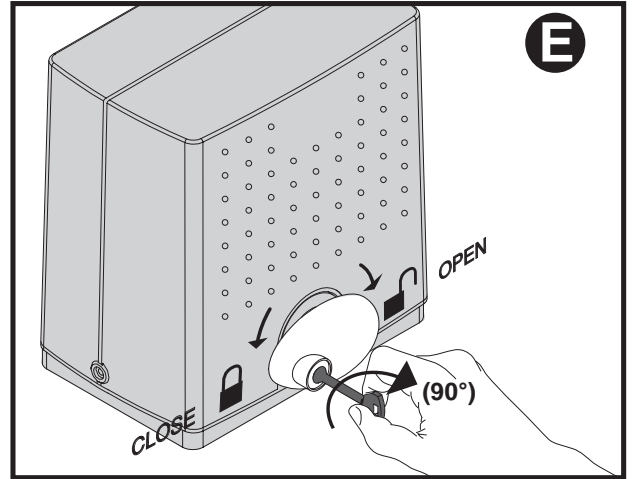
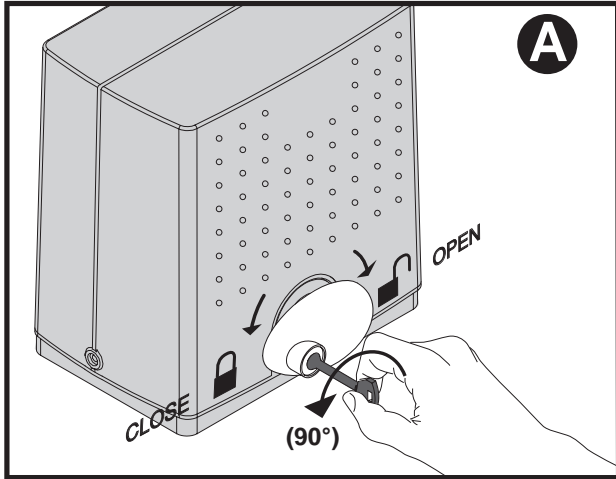
Logic	Default	Definition	Cross out setting used	Description																	
t c R	OFF	<b>Automatic Closing Time</b>	ON	Activates automatic closing																	
			OFF	Excludes automatic closing																	
i b l o P E n	OFF	<b>Opening Impulse lock</b>	ON	The Start impulse has no effect during the opening phase.																	
			OFF	The Start impulse becomes effective during the opening phase.																	
i b l t c R	OFF	<b>Impulse lock TCA</b>	ON	The Start impulse has no effect during the TCA dwell period.																	
			OFF	The Start impulse becomes effective during the TCA dwell period.																	
3 S t E P	OFF	<b>3 step</b>	ON	Switches to 3-step logic.																	
			OFF	Switches to 4-step logic.																	
<i>A start impulse has the following effects:</i>																					
				<table border="1" style="width: 100%; text-align: center;"> <thead> <tr> <th></th> <th>3 steps</th> <th>4 steps</th> </tr> </thead> <tbody> <tr> <td>closed</td> <td rowspan="2">opens</td> <td>opens</td> </tr> <tr> <td>on closing</td> <td>stop</td> </tr> <tr> <td>open</td> <td>closes</td> <td>closes</td> </tr> <tr> <td>on opening</td> <td>stop + TCA</td> <td>stop + TCA</td> </tr> <tr> <td>after stop</td> <td>opens</td> <td>opens</td> </tr> </tbody> </table>		3 steps	4 steps	closed	opens	opens	on closing	stop	open	closes	closes	on opening	stop + TCA	stop + TCA	after stop	opens	opens
	3 steps	4 steps																			
closed	opens	opens																			
on closing		stop																			
open	closes	closes																			
on opening	stop + TCA	stop + TCA																			
after stop	opens	opens																			
P r E A L	OFF	<b>Pre-alarm</b>	ON	The flashing light comes on approx. 3 seconds before the motors start.																	
			OFF	The flashing light comes on at the same time as the motors start.																	
h o l d t o r u n	OFF	<b>Deadman</b>	ON	Hold-to-run operation: the manoeuvre continues as long as the OPEN and CLOSE control keys are kept pressed. The radio transmitter cannot be used.																	
			OFF	Normal impulse operation.																	
P h o t o c . o P E n	OFF	<b>Photocells during opening</b>	ON	When beam is broken, operation of the photocell is switched off during opening. During closing, movement is reversed immediately.																	
			OFF	When beam is broken, photocells are active during both opening and closing. When beam is broken during closing, movement is reversed only once the photocell is cleared.																	
t E S t P h o t	OFF	<b>Photocell test</b>	ON	Switches photocell testing on																	
			OFF	Switches photocell testing off If disabled (OFF), it inhibits the photocell testing function, enabling connection of devices not equipped with supplementary test contacts.																	
t E S t b A r	OFF	<b>Safety edge testing</b>	ON	Switches safety edge testing on.																	
			OFF	Switches safety edge testing off If disabled (OFF), it inhibits the safety edge testing function, enabling connection of devices not equipped with supplementary test contacts.																	
M A S T E r	OFF	<b>Master/slave</b>	ON	Control panel is set up as the Master unit in a centralized serial connection system.																	
			OFF	Control panel is set up as a Slave unit in a centralized serial connection system.																	
F i x e d c o d e	OFF	<b>Fixed code</b>	ON	Receiver is configured for operation in fixed-code mode.																	
			OFF	Receiver is configured for operation in rolling-code mode.																	
r A d i o P r o g	ON	<b>Remote control programming</b>	ON	Enables wireless memorizing of transmitters: 1- Press in sequence the hidden key (P1) and normal key (T1-T2-T3-T4) of a transmitter that has already been memorized in standard mode via the radio menu. 2- Press within 10 secs. the hidden key (P1) and normal key (T1-T2-T3-T4) of a transmitter to be memorized. <b>IMPORTANT: Enables the automatic addition of new transmitters, clones and replays.</b> The receiver exits programming mode after 10 secs.: you can use this time to enter other new transmitters. This mode does not require access to the control panel.																	
			OFF	Disables wireless memorizing of transmitters. Transmitters are memorized only using the relevant Radio menu. <b>IMPORTANT: Disables the automatic addition of new transmitters, clones and replays.</b>																	
S c R 2 c h	OFF	<b>Gate open light or 2nd radio channel</b>	ON	The output between terminals 14-15 is set as Gate open light: in this case, the 2nd radio channel controls pedestrian opening.																	
			OFF	The output between terminals 14-15 is set as 2nd radio channel.																	
S t A r t - c l o s e	OFF	<b>START - CLOSE setting</b>	ON	Input between terminals 21-22 works as CLOSE.																	
			OFF	Input between terminals 21-22 works as START.																	
c h A n g e M o t.	OFF	<b>Reversing motion</b>	ON	Change this parameter if the opening direction needs to be changed																	
			OFF	Standard operating mode.																	
i c E (special dip 2*)	OFF	<b>ICE</b>	ON	The controller automatically adjusts the Amperostop safety trip threshold. <b>Check that the force of impact measured at the points provided for by standard EN 12445 is lower than the value laid down by standard EN 12453.</b> If in doubt, use auxiliary safety devices. This feature is useful when dealing with installations running at low temperatures. <b>WARNING: once this feature has been activated, you will need to perform an autoset opening and closing cycle.</b>																	
			OFF	The Amperostop safety trip threshold stays at the same set value.																	

\*=Refer for universal handheld programmer.

**13.3) TABLE C: RADIO MENU (r R d i o)**

Logic	Description
A d d S t A r t	<b>Add Start Key</b> associates the desired key with the Start command.
A d d 2 c h	<b>Add 2ch Key</b> associates the desired key with the 2nd radio channel command.
E r A S E 6 4	<b>Erase List WARNING!</b> Erases all memorized remote controls from the receiver's memory.
c o d r H	<b>Read receiver code</b> Displays receiver code required for cloning remote controls.
W L K	<b>ON</b> = Enables remote programming of cards via a previously memorized W LINK transmitter. It remains enabled for 3 minutes from the time the W LINK remote control is last pressed. <b>OFF</b> = W LINK programming disabled.

FIG. 2



## USER WARNINGS (GB)

**WARNING! Important safety instructions. Carefully read and comply with the Warnings and Instructions that come with the product as improper use can cause injury to people and animals and damage to property. Keep the instructions for future reference and hand them on to any new users.**

**This product is meant to be used only for the purpose for which it was explicitly installed. Any other use constitutes improper use and, consequently, is hazardous. The manufacturer cannot be held liable for any damage as a result of improper, incorrect or unreasonable use.**

### GENERAL SAFETY

Thank you for choosing this product. The Firm is confident that its performance will meet your operating needs.

This product meets recognized technical standards and complies with safety provisions when installed correctly by qualified, expert personnel (professional installer).

If installed and used correctly, the automated system will meet operating safety standards. Nonetheless, it is advisable to observe certain rules of behaviour so that accidental problems can be avoided:

- Keep adults, children and property out of range of the automated system, especially while it is moving.
- Do not allow children to play or stand within range of the automated system.
- This automated system is not meant for use by children or by people with impaired mental, physical or sensory capacities, or people who do not have suitable knowledge.
- Do not work near hinges or moving mechanical parts.
- Do not hinder the leaf's movement and do not attempt to open the door manually unless the actuator has been released with the relevant release knob.
- Keep out of range of the motorized door or gate while they are moving.
- Keep remote controls or other control devices out of reach of children in order to avoid the automated system being operated inadvertently.
- The manual release's activation could result in uncontrolled door movements if there are mechanical faults or loss of balance.
- When using roller shutter openers: keep an eye on the roller shutter while it is moving and keep people away until it has closed completely. Exercise care when activating the release, if such a device is fitted, as an open shutter could drop quickly in the event of wear or breakage.
- The breakage or wear of any mechanical parts of the door (operated part), such as cables, springs, supports, hinges, guides... , may generate a hazard. Have the system checked by qualified, expert personnel (professional installer) at regular intervals according to the instructions issued by the installer or manufacturer of the door.
- When cleaning the outside, always cut off mains power.
- Keep the photocells' optics and illuminating indicator devices clean. Check that no branches or shrubs interfere with the safety devices.
- Do not use the automated system if it is in need of repair. In the event the automated system breaks down or malfunctions, cut off mains power to the system; do not attempt to repair or perform any other work to rectify the fault yourself and instead call in qualified, expert personnel (professional installer) to perform the necessary repairs or maintenance. To allow access, activate the emergency release (where fitted).
- If any part of the automated system requires direct work of any kind that is not contemplated herein, employ the services of qualified, expert personnel (professional installer).
- At least once a year, have the automated system, and especially all safety devices, checked by qualified, expert personnel (professional installer) to make sure that it is undamaged and working properly.
- A record must be made of any installation, maintenance and repair work and the relevant documentation kept and made available to the user on request.
- Failure to comply with the above may result in hazardous situations.

**Anything that is not explicitly provided for in the user guide is not allowed. The operator's proper operation can only be guaranteed if the instructions given herein are complied with. The Firm shall not be answerable for damage caused by failure to comply with the instructions featured herein.**

**While we will not alter the product's essential features, the Firm reserves the right, at any time, to make those changes deemed opportune to improve the product from a technical, design or commercial point of view, and will not be required to update this publication accordingly.**



**BFT S.P.A.**  
Via Lago di Vico 44, 36015 Schio (Vi) - **Italy**  
tel. +39 0445 69 65 11 / fax. +39 0445 69 65 22  
www.bft.it / e-mail: info@bft.it

**AUTOMATISMES BFT FRANCE**  
13 Bd. E. Michelet, 69008 Lyon - **France**  
tel. +33 (0)4 78 76 09 88 - fax +33 (0)4 78 76 92 23  
e-mail: contacts@automatismes-bft-france.fr



**BFT Torantriebssysteme GmbH**  
Faber-Castell-Straße 29  
D - 90522 Oberasbach - **Germany**  
tel. +49 (0)911 766 00 90 - fax +49 (0)911 766 00 99  
e-mail: service@bft-torantriebe.de

**BFT Automation UK Ltd**  
Unit 8E, Newby Road  
Industrial Estate Hazel Grove, Stockport,  
Cheshire, SK7 5DA - **UK**  
tel. +44 (0) 161 4560456 - fax +44 (0) 161 4569090  
e-mail: info@bftautomation.co.uk

**BFT BENELUX SA**  
Parc Industriel 1, Rue du commerce 12  
1400 Nivelles - **Belgium**  
tel. +32 (0)67 55 02 00 - fax +32 (0)67 55 02 01  
e-mail: info@bftbenelux.be

**BFT-ADRIA d.o.o.**  
Obrovac 39  
51218 Dražice (Rijeka)  
Hrvatska - **Croatia**  
tel. +385 (0)51 502 640 - fax +385 (0)51 502 644  
e-mail: info@bft.hr

**BFT Polska Sp. z o.o.**  
ul. Kołacińska 35  
03-171 Warszawa - **Poland**  
tel. +48 22 814 12 22 - fax +48 22 814 39 18  
e-mail: biuro@bft.com.pl

**BFT USA BFT U.S., Inc.**  
6100 Broken Sound Pkwy. N.W., Suite 14  
Boca Raton, FL 33487 - **U.S.A.**  
T: +1 561.995.8155 - F: +1 561.995.8160  
TOLL FREE 1.877.995.8155 - info.bft@bft-usa.com

**BFT GROUP ITALIBERICA DE AUTOMATISMOS S.L.**  
**Pol. Palou Nord,**  
Sector F - C/Cami - Can Basa nº 6-8 08401 Granollers -  
**(Barcelona) - Spain**  
tel. +34 938 61 48 28 - fax +34 938 70 03 94  
e-mail: bftbcn@bftautomatismos.com

**Pl. Comendador - C/**  
informática, Nave 22 - 19200 Azuqueca de henares  
**(Guadalajara) - Spain**  
tel. +34 949 26 32 00 - fax +34 949 26 24 51  
e-mail: administracion@bftautomatismos.com

**BFT SA-COMERCIO DE AUTOMATISMOS E MATERIAL DE SEGURANÇA**  
UrbanizaCao da Pedrulha Lote 9 - Apartado 8123,  
3020-305 COIMBRA - **PORTUGAL**  
tel. +351 239 082 790 - fax +351 239 082 799  
e-mail: geral@bftportugal.com