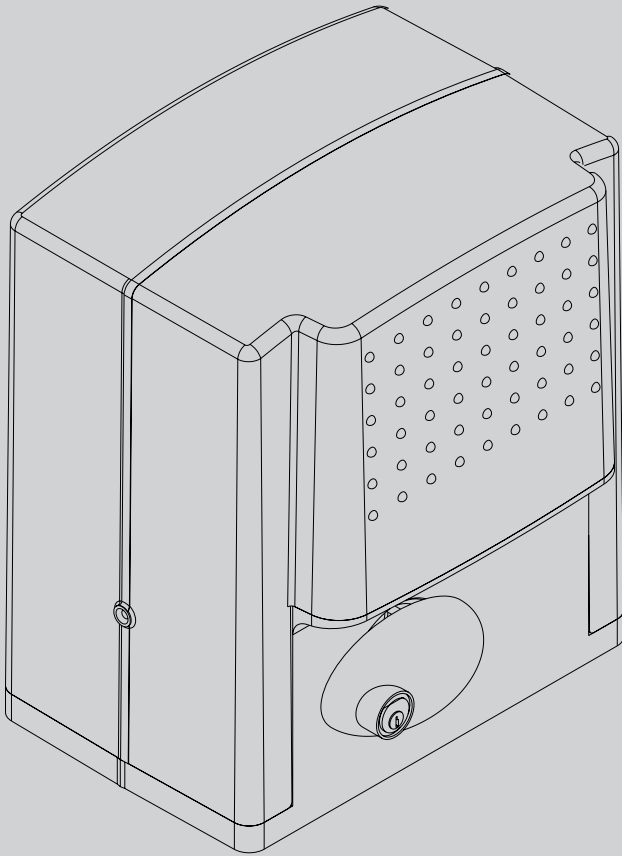




ATTUATORE PER CANCELLI SCORREVOLI A CREMAGLIERA
 ACTUATOR FOR RACK SLIDING GATES
 ACTIONNEUR POUR PORTAILS COULISSANTS A CREMAILLERE
 ANTRIEB FÜR ZAHNSTANGEN-SCHIEBETORE
 SERVOMOTOR PARA CANCELAS CORREDERAS DE CREMALLERA
 ACTUATOR VOOR SCHUIFHEKKEN MET TANDHEUGEL



ISTRUZIONI D'USO E DI INSTALLAZIONE
 INSTALLATION AND USER'S MANUAL
 INSTRUCTIONS D'UTILISATION ET D'INSTALLATION
 INSTALLATIONS-UND GEBRAUCHSANLEITUNG
 INSTRUCCIONES DE USO Y DE INSTALACION
 INSTALLATIEVOORSCHRIFTEN

ARES

D811692.00100_04.21-06-11

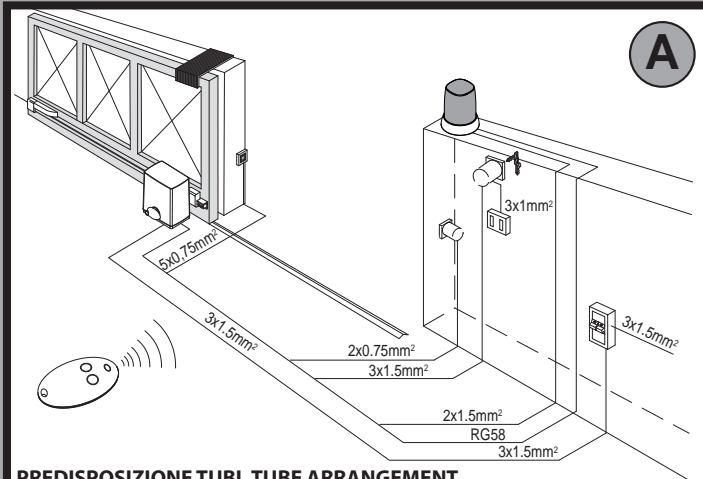


AZIENDA CON SISTEMA DI GESTIONE
 INTEGRATO CERTIFICATO DA DNV
 = UNI EN ISO 9001:2008 =
 UNI EN ISO 14001:2004

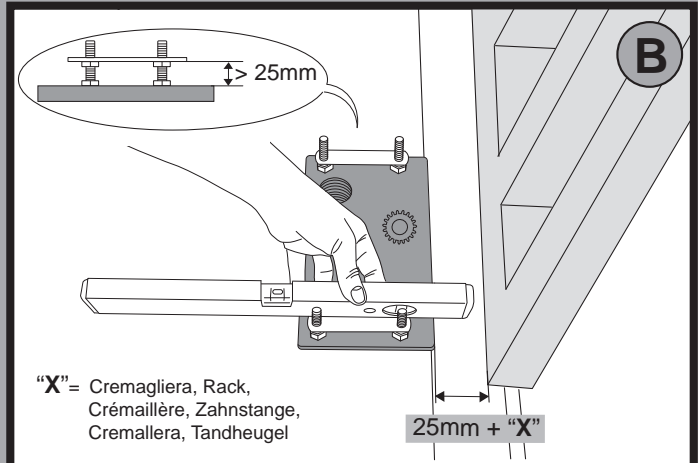
Attenzione! Leggere attentamente le "Avvertenze" all'interno! **Caution!** Read "Warnings" inside carefully! **Attention!** Veuillez lire attentivement les Avertissements qui se trouvent à l'intérieur!
Achtung! Bitte lesen Sie aufmerksam die „Hinweise“ im Inneren! **¡Atención!** Leer atentamente las "Advertencias" en el interior! **Let op!** Lees de "Waarschuwingen" aan de binnenkant zorgvuldig!

INSTALLAZIONE VELOCE-QUICK INSTALLATION-INSTALLATION RAPIDE SCHNELLINSTALLATION-INSTALACIÓN RÁPIDA - SNELLE INSTALLATIE

D811692 00100_04

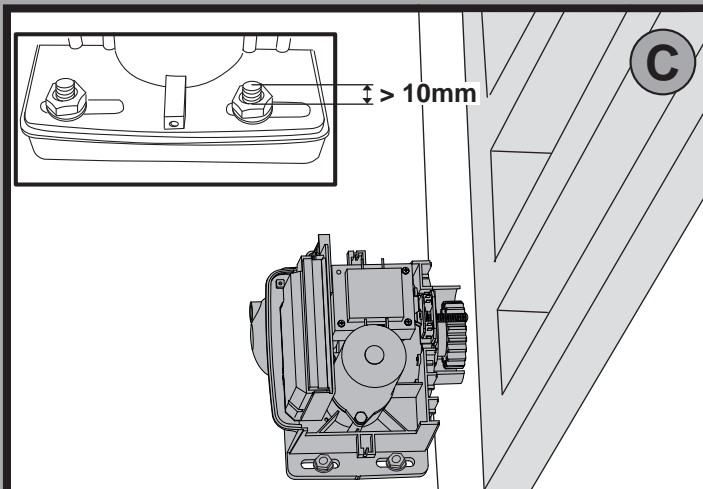


**PREDISPOSIZIONE TUBI, TUBE ARRANGEMENT,
PRÉDISPOSITION DES TUYAUX, VORBEREITUNG DER LEITUNGEN,
DISPOSICIÓN DE TUBOS, VOORBEREIDING LEIDINGEN.**

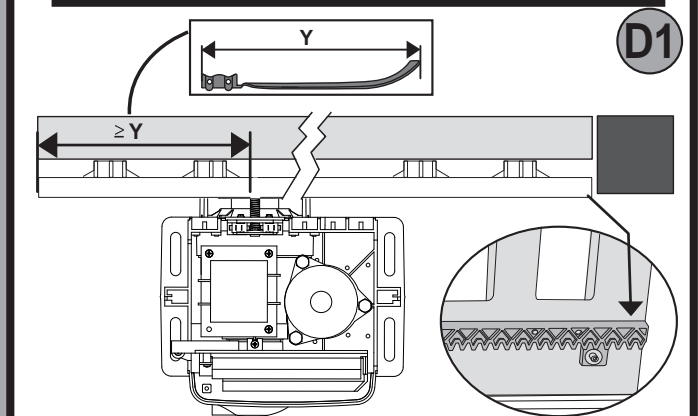
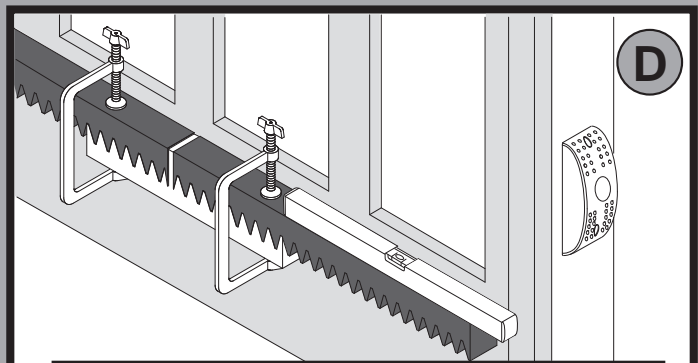


“X” = Cremagliera, Rack,
Crémaillère, Zahnstange,
Cremallera, Tandheugel

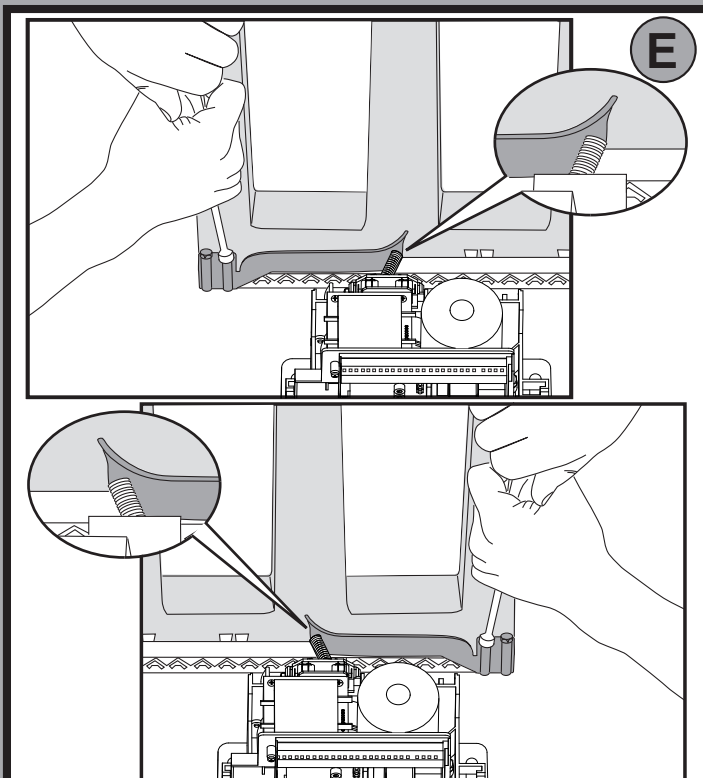
**Predisposizione fissaggio motore, Preparation for motor mounting,
Aménagement fixation moteur, Vorbereitung Motorbefestigung,
Disposición fijación del motor, Voorbereiding bevestiging motor.**



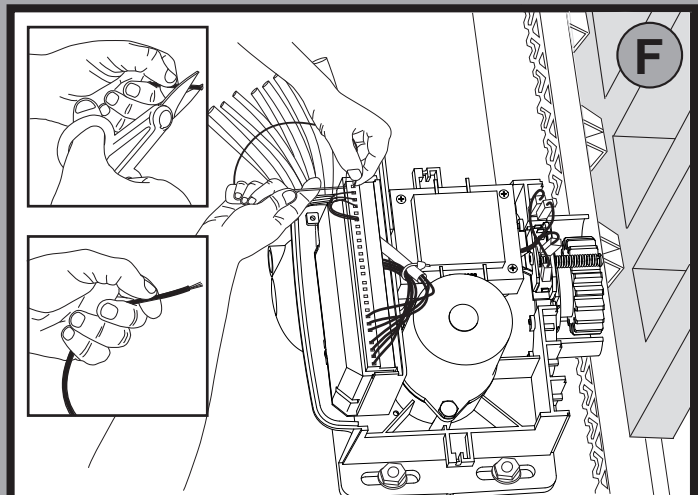
**Montaggio motore, Mounting the motor, Montage moteur,
Montage Motor, Montaje del motor, Montage motor.**



**Montaggio accessori trasmissione, Mounting drive accessories,
Montage accessoires transmission, Montage Antriebszubehör,
Montaje de accesorios transmisión, Montage accessoires overbrenging.**



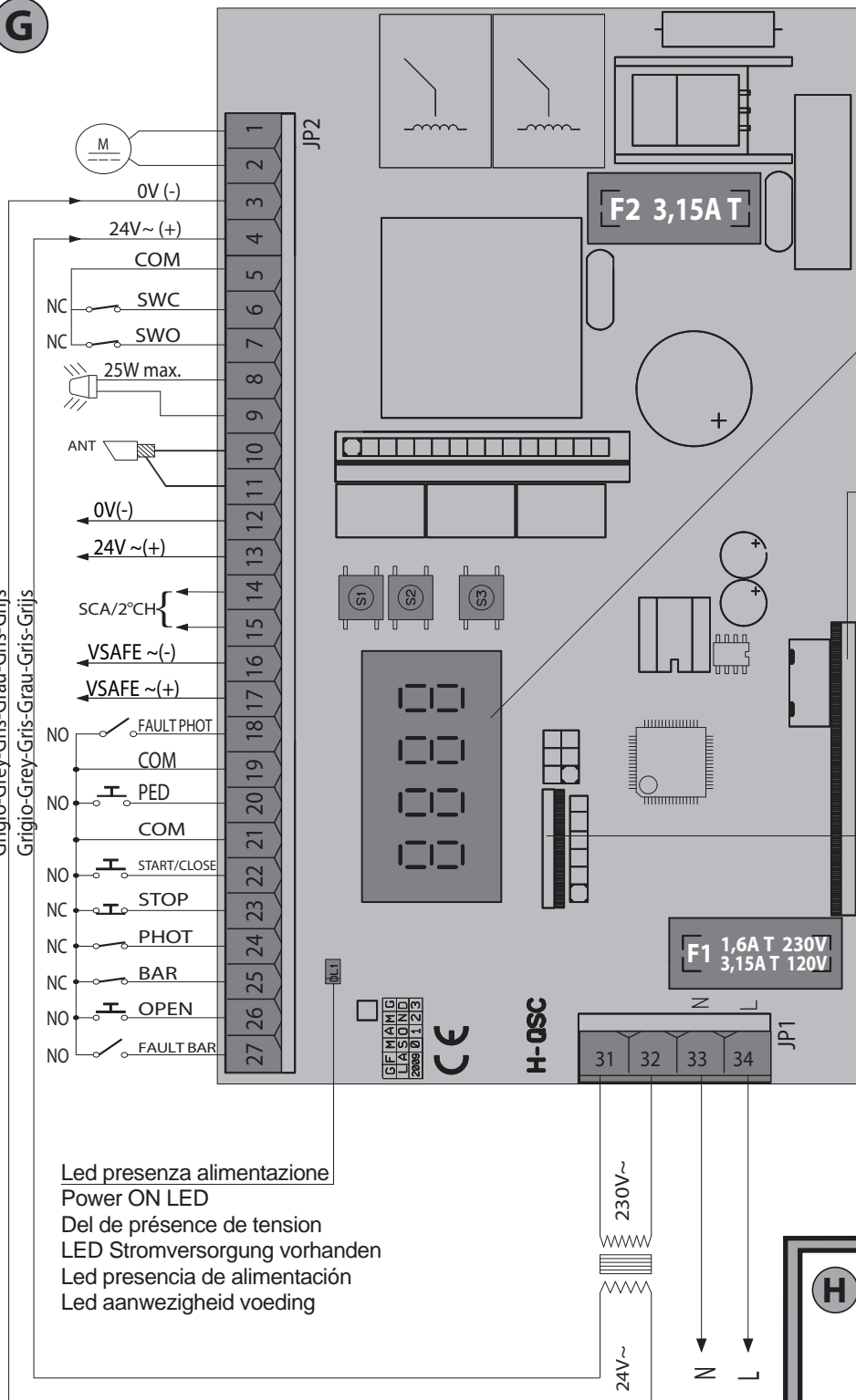
**Fissaggio staffe finecorsa (dx e sx), Fastening limit switch brackets (RH/LH),
Fixation étriers fin de course (drt et gch), Befestigung Bügel Anschläge (rechts und links),
Fijación abrazaderas final de carrera (der. e izq.),
Bevestiging stangen aanslag (rechts en links).**



**Collegamento morsetti, Terminal board wiring,
Connexion plaque à bornes, Anschluss Klemmleiste,
Conexión tablero de bornes, Aansluiting aansluitkast.**

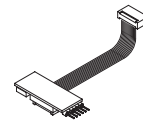


Grigio-Grey-Grau-Gris-Grijs
Grigio-Grey-Grau-Gris-Grijs



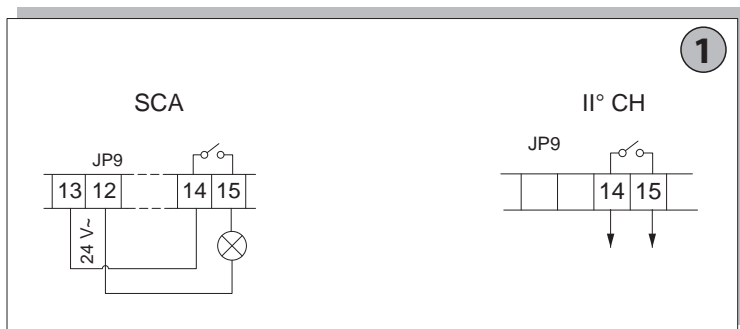
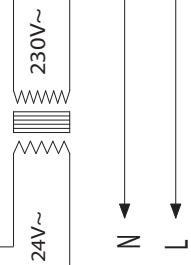
Display + tasti programmazione
Display + programming keys
Afficheur + touches programmation
Display + Programmierungstasten
Pantalla + botones programación
Display + programmeringstoetsen

Connettore scheda opzionale
Optional board connector
Connecteur carte facultative
Steckverbinder Zusatzkarte
Conector de la tarjeta opcional
Connector optionele kaart

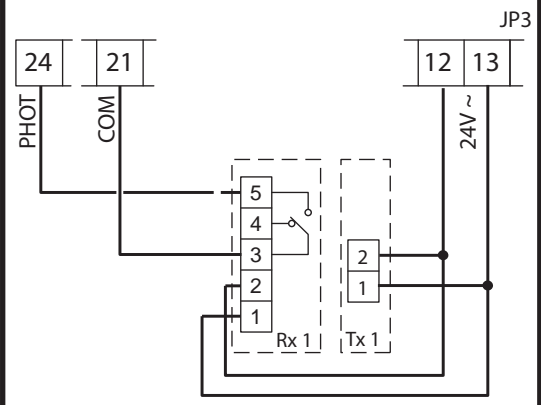


Connettore programmatore palmare,
Palmtop programmer connector,
Connecteur programmeur de poche,
Steckverbinder Palmtop-Programmierer,
Conector del programador de bolsillo,
Connector programmeerbare palmtop

Led presenza alimentazione
Power ON LED
Del de présence de tension
LED Stromversorgung vorhanden
Led presencia de alimentación
Led aanwezigheid voeding

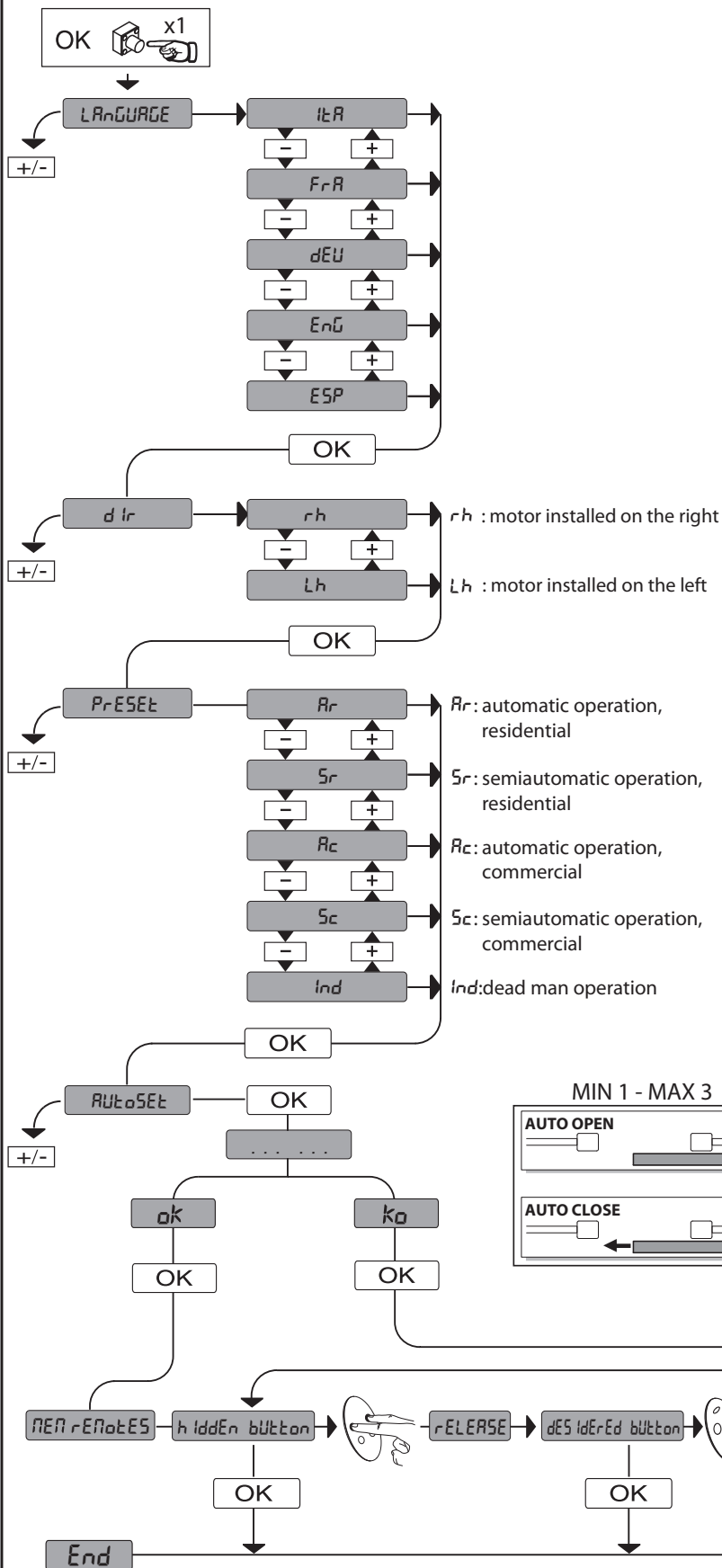


H Collegamento di 1 coppia fotocellule non verificate
Connection of 1 pair of non-tested photocells
Connexion 1 paire photocellules non vérifiées
Anschluss von einem Paar nicht überprüften Fotozellen
Conexión de 1 par fotocélulas no comprobadas
Aansluiting van 1 paar fotocellen anders dan "trusted device"

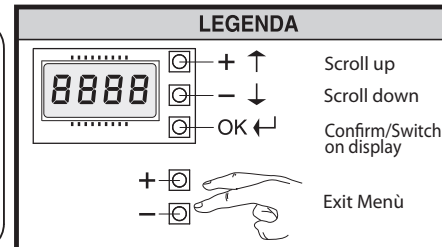
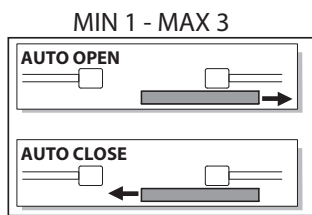


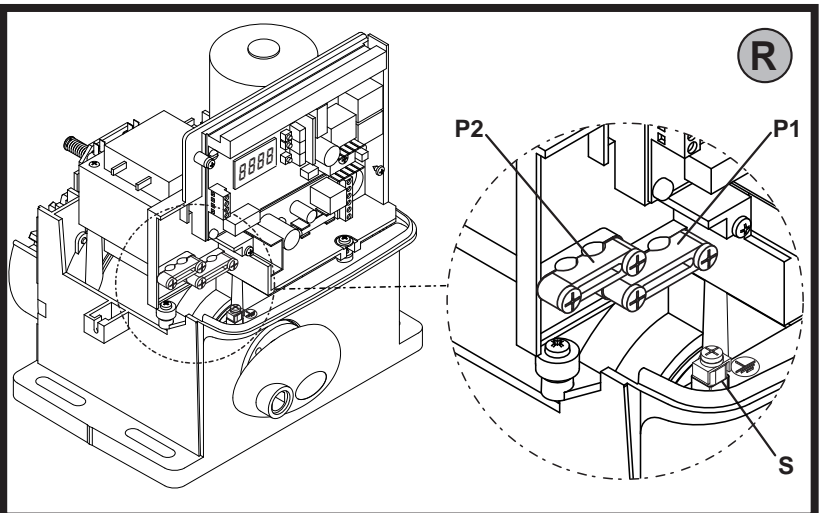
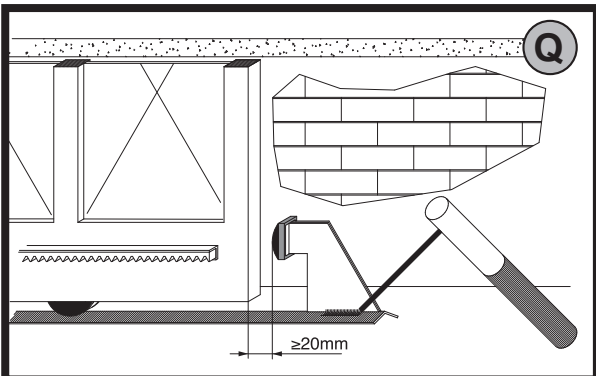
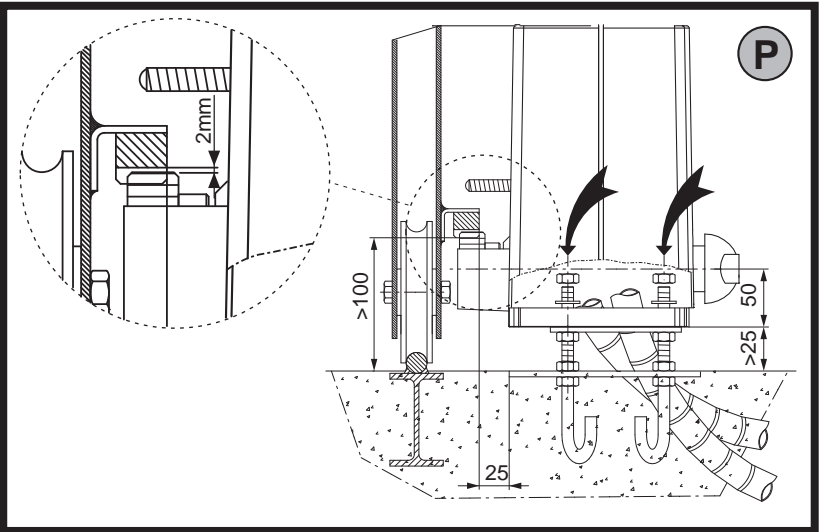
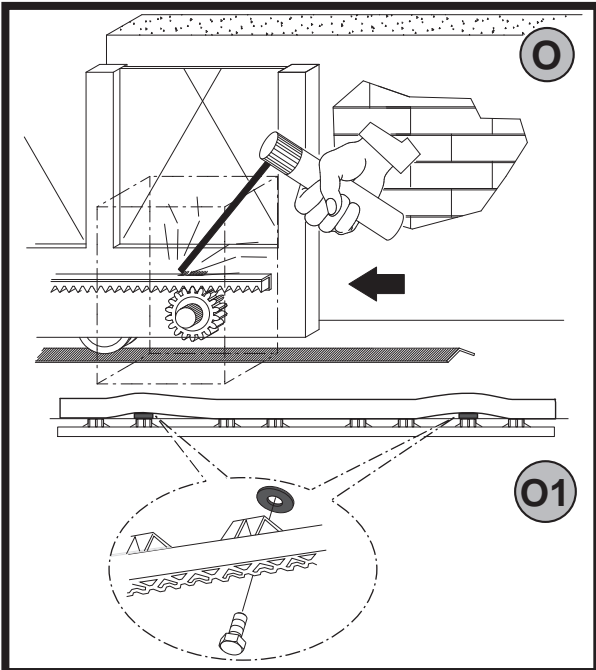
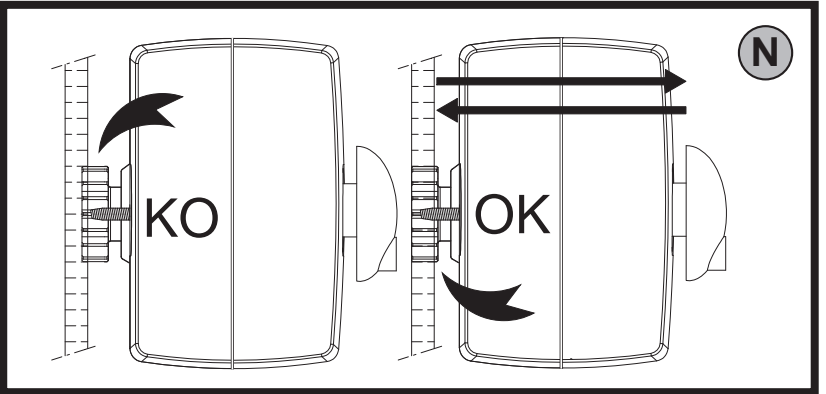
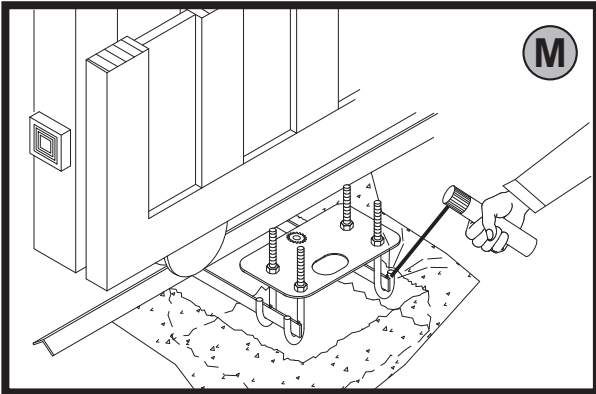
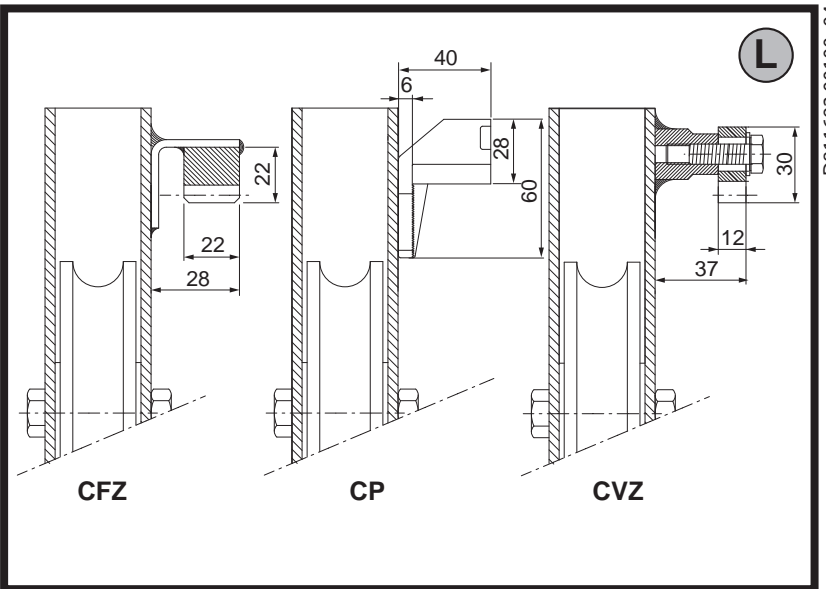
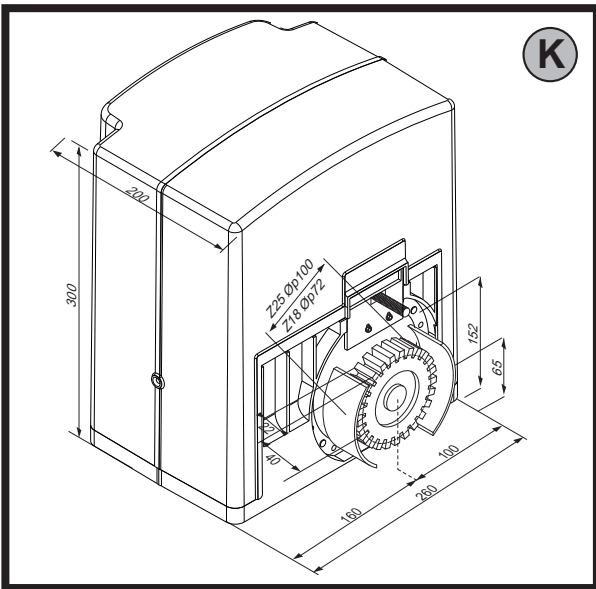
LOGICA test fotocellule OFF / Photocell test LOGIC OFF
LOGIQUE essai photocellules Désactivée /
LOGIK Test Fotozellen OFF
LÓGICA prueba fotocélulas OFF / LOGICA test fotocellen OFF

SIMPLIFIED MENU

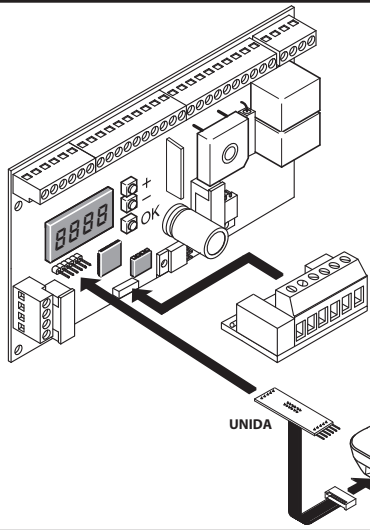


PRESET	DEFAULT	Rr	Sr	Rc	Sc	ind
PARAMETERS						
Automatic Closing Time	40	40	40	40	40	40
Slow-down speed	15	15	15	15	15	15
Opening motor torque	75	75	75	75	75	75
Closing motor torque	75	75	75	75	75	75
Speed during opening	99	99	99	99	99	99
Speed during closing	99	99	99	99	99	99
Partial opening	40	40	40	40	40	40
Zone	0	0	0	0	0	0
Slow-down distance	0	0	0	0	0	0
Opening deceleration space	10	10	10	10	10	10
Closing deceleration space	10	10	10	10	10	10
LOGIC						
Automatic Closing Time	OFF	ON	OFF	ON	OFF	OFF
Block Pulses	OFF	OFF	OFF	ON	ON	OFF
Impulse lock TCA	OFF	OFF	OFF	OFF	OFF	OFF
3 step	OFF	ON	OFF	ON	OFF	OFF
Pre-alarm	OFF	OFF	OFF	ON	ON	OFF
Deadman	OFF	OFF	OFF	OFF	OFF	ON
Photocells during opening	OFF	ON	ON	ON	ON	OFF
Photocell test	OFF	OFF	OFF	OFF	OFF	OFF
Safety edge testing	OFF	OFF	OFF	OFF	OFF	OFF
Master/Slave	OFF	OFF	OFF	OFF	OFF	OFF
Fixed code	OFF	OFF	OFF	OFF	OFF	OFF
Remote control programming	ON	ON	ON	ON	ON	ON
Gate open light or 2nd radio channel	OFF	OFF	OFF	OFF	OFF	OFF
START - CLOSE setting	OFF	OFF	OFF	OFF	OFF	OFF
Reversing motion	-	-	-	-	-	-
ICE	OFF	OFF	OFF	OFF	OFF	OFF





S

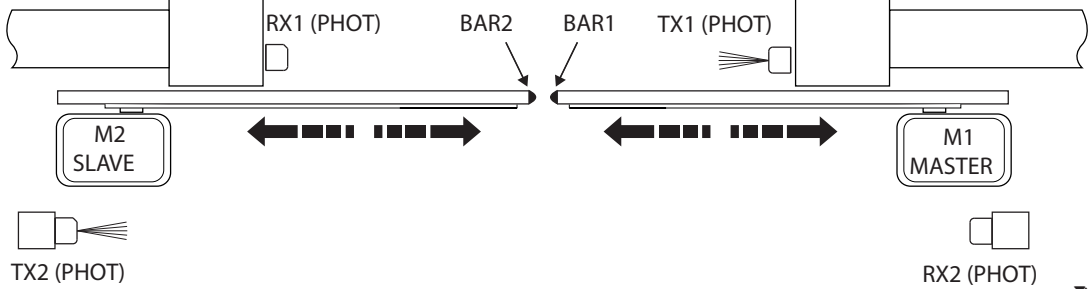


SCHEDA DI ESPANSIONE
EXPANSION BOARD
CARTE EXPANSION
ERWEITERUNGSKARTE
TARJETA DE EXPANSIÓN
UITBREIDINGSKAART

Programmatore palmare universale
Universal palmtop programmer
Programmeur de poche universel
Universellen Palmtop-Programmierer
Programador de bolsillo universal
Programmeerbare Universele Palmtop

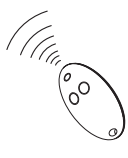
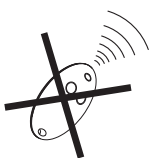
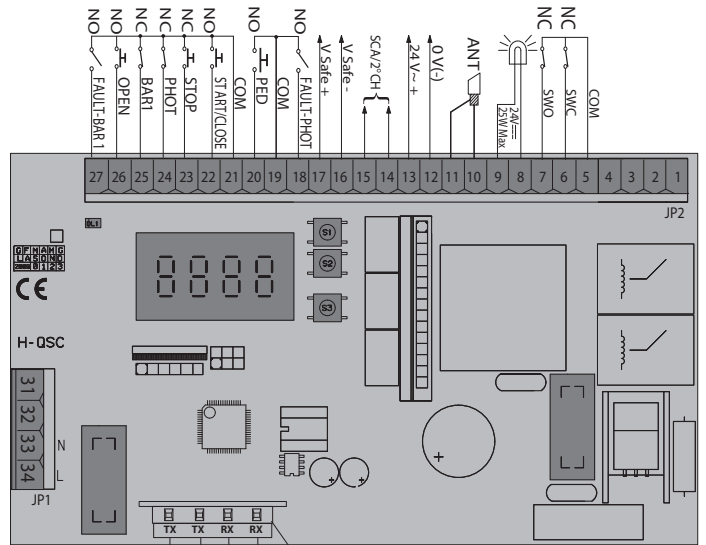
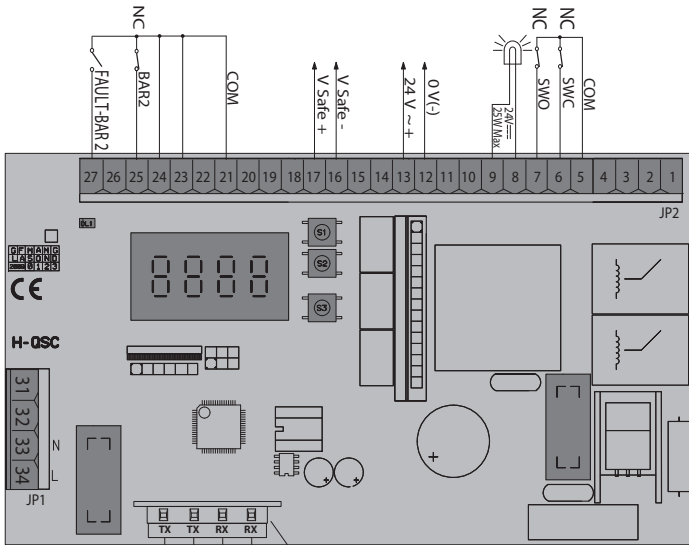
Connessione seriale per ante contrapposte, Serial connection for opposite leaves, Connexion série pour vantaux opposés, Serieller Anschluss für einander entgegengesetzte Torflügel, Conexión serial para hojas contrapuestas, Serielle verbinding voor tegenovergestelde vleugels.

T



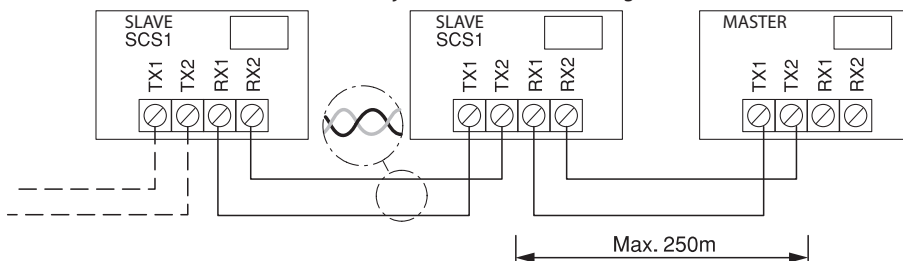
ZonE=128
MASTER=OFF

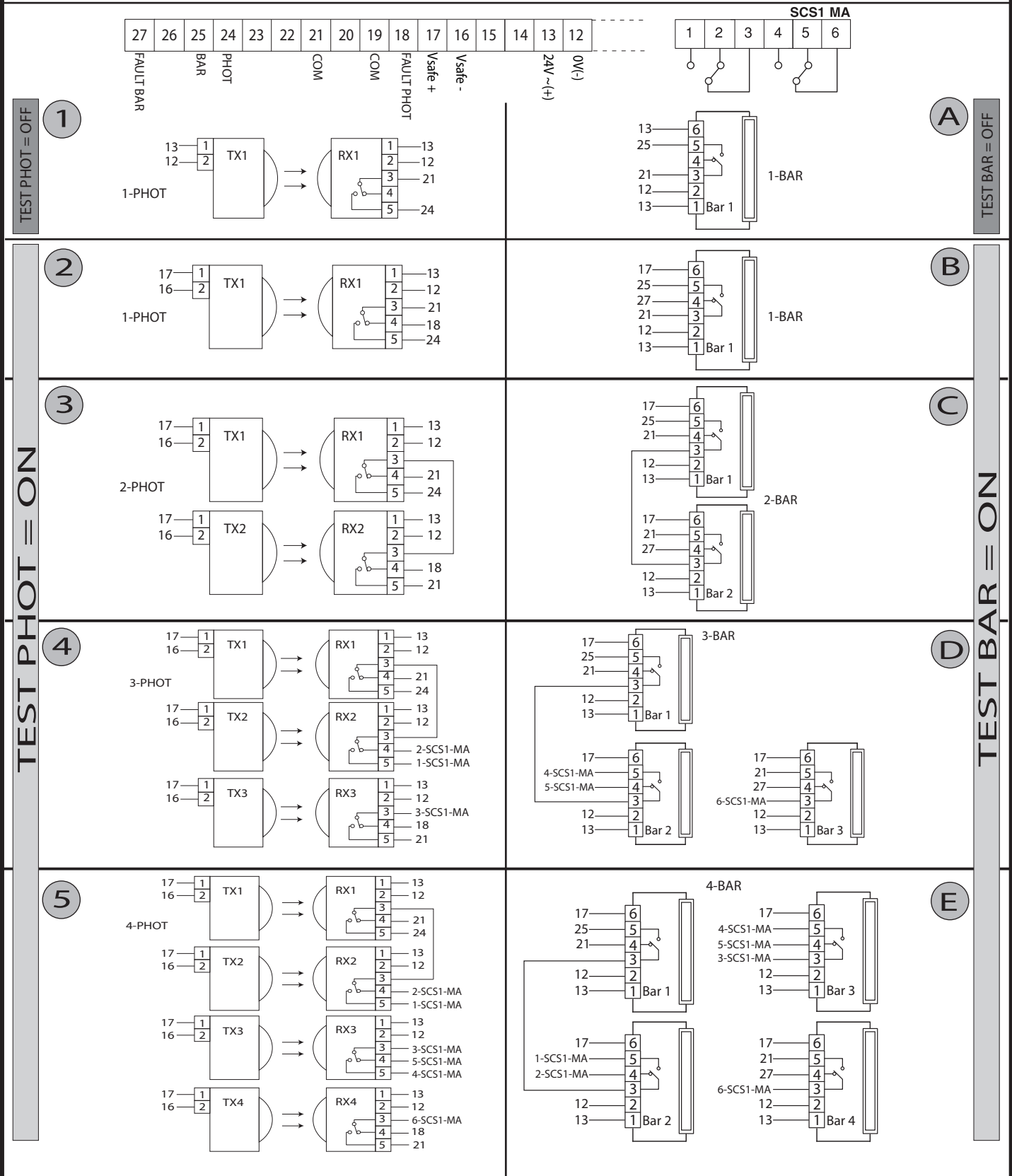
ZonE=128
MASTER=ON



Connessione Seriale Mediante Scheda Scs1, Serial Connection Via Scs1 Card, Connexion Série À Travers La Carte Scs1, Serielle Verbindung Mit Karte Scs1, Conexión Serial Mediante Tarjeta Scs1, Serielle Verbindung Mittels Kaart Scs1.

U



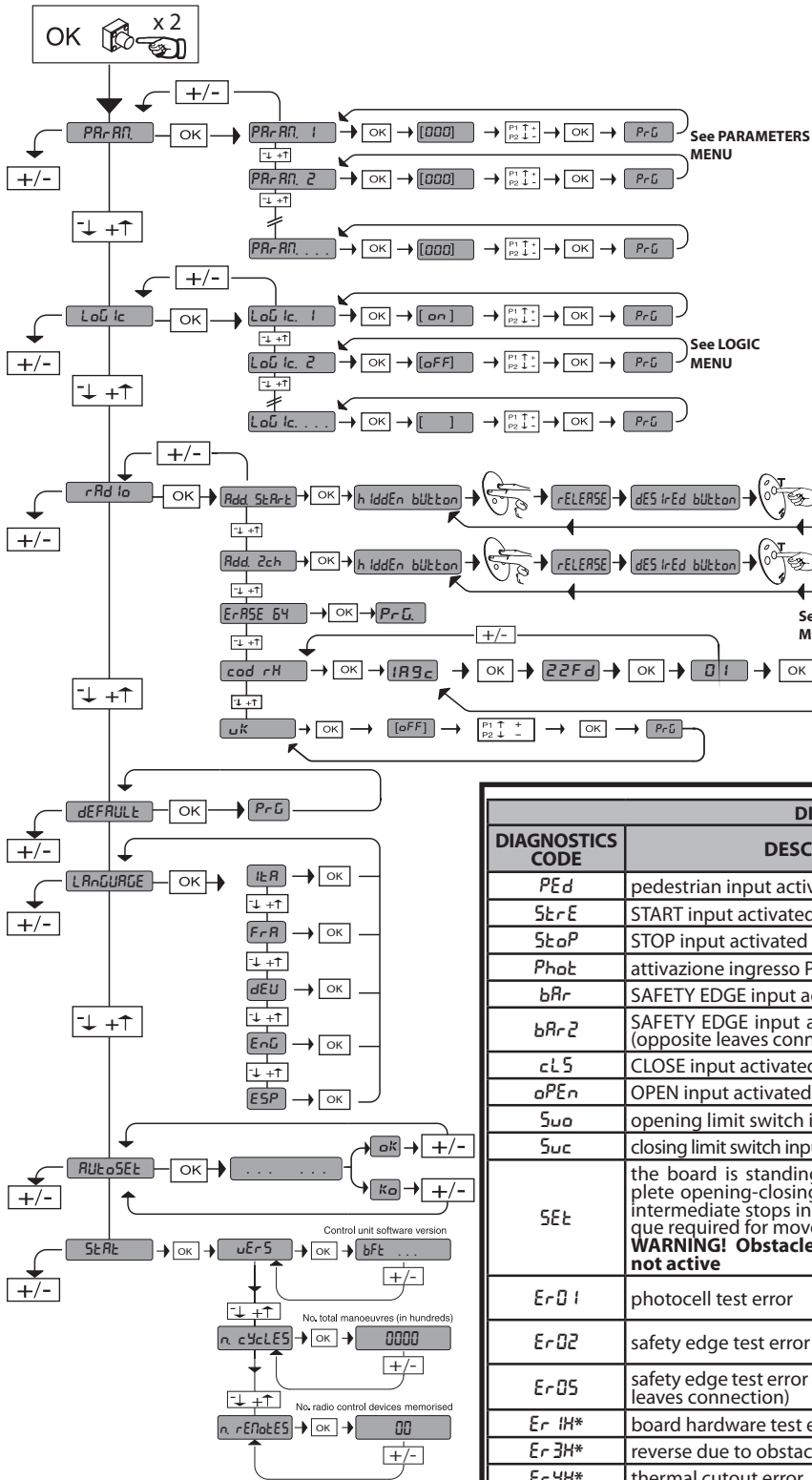


Numero massimo dispositivi collegabili, Maximum number of devices that can be connected, Nombre maximum de dispositifs pouvant être connectés, Max. Anzahl der anschließbaren Geräte, Número máximo dispositivos que se pueden conectar, Maximum aantal aansluitbare inrichtingen.

tESEt bRr=on / tESEt Phot=on			
FOTOCPELLULE PHOTOCELLULES	FOTOCÉLULAS PHOTOCELLS	FOTOZELLEN FOTOCELLEN	COSTE LEISTEN SAFETY EDGES CANTOS LINTEAUX RANDEN
3			E
5			C

ACCESS TO MENUS Fig. 1

D811692 00100_04



LEGENDA

+ ↑ Scroll up

- ↓ Scroll down

OK ← Confirm/Switch on display

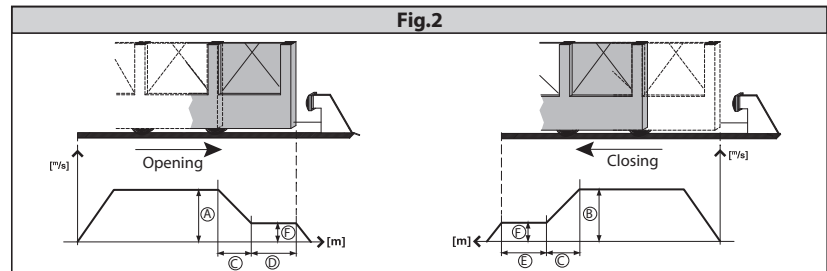
+

-

Exit Menù

DIAGNOSTICS and WARNINGS		
DIAGNOSTICS CODE	DESCRIPTION	NOTES
PEd	pedestrian input activated	
StArE	START input activated	
StoP	STOP input activated	
Phot	attivazione ingresso PHOT	
bAr	SAFETY EDGE input activated	
bAr.2	SAFETY EDGE input activated on slave motor (opposite leaves connection)	
cLS	CLOSE input activated	
oPEn	OPEN input activated	
Suo	opening limit switch input activated	
Suc	closing limit switch input activated	
SEt	the board is standing by to perform a complete opening-closing cycle uninterrupted by intermediate stops in order to acquire the torque required for movement. WARNING! Obstacle detection function is not active	
Er01	photocell test error	check photocell connection and/or logic settings
Er02	safety edge test error	check safety edge connection and/or logic settings
Er05	safety edge test error on slave motor (opposite leaves connection)	check safety edge connection and/or parameter/logic settings
Er1H*	board hardware test error	check connections to motor
Er3H*	reverse due to obstacle	check for obstacles in path
Er4H*	thermal cutout error	Allow motor to cool
Er5H*	anomaly in communication w/ remote devices	check Scs1 serial connections
Er61	running off battery	--
ErFH*	limit switch error	check limit switch connections

* H = 0,1,...,9,A,B,C,D,E,F



35.40

——— Set torque threshold

——— Maximum instantaneous motor torque

INSTALLER WARNINGS

WARNING! Important safety instructions. Carefully read and comply with all the warnings and instructions that come with the product as incorrect installation can cause injury to people and animals and damage to property. The warnings and instructions give important information regarding safety, installation, use and maintenance. Keep hold of instructions so that you can attach them to the technical file and keep them handy for future reference.

GENERAL SAFETY

This product has been designed and built solely for the purpose indicated herein. Uses other than those indicated herein might cause damage to the product and create a hazard.

- The units making up the machine and its installation must meet the requirements of the following European Directives, where applicable: 2004/108/EC, 2006/95/EC, 2006/42/EC, 89/106/EC, 99/05/EC and later amendments. For all countries outside the EEC, it is advisable to comply with the standards mentioned, in addition to any national standards in force, to achieve a good level of safety.
- The Manufacturer of this product (hereinafter referred to as the "Firm") disclaims all responsibility resulting from improper use or any use other than that for which the product has been designed, as indicated herein, as well as for failure to apply Good Practice in the construction of entry systems (doors, gates, etc.) and for deformation that could occur during use.
- Installation must be carried out by qualified personnel (professional installer, according to EN 12635), in compliance with Good Practice and current code.
- Before commencing installation, check the product for damage.
- Before installing the product, make all structural changes required to produce safety gaps and to provide protection from or isolate all crushing, shearing and dragging hazard areas and danger zones in general. Check that the existing structure meets the necessary strength and stability requirements.
- The Firm is not responsible for failure to apply Good Practice in the construction and maintenance of the doors, gates, etc. to be motorized, or for deformation that might occur during use.
- Make sure the stated temperature range is compatible with the site in which the automated system is due to be installed.
- Do not install this product in an explosive atmosphere: the presence of flammable fumes or gas constitutes a serious safety hazard.
- Disconnect the electricity supply before performing any work on the system. Also disconnect buffer batteries, if any are connected.
- Before connecting the power supply, make sure the product's ratings match the mains ratings and that a suitable residual current circuit breaker and overcurrent protection device have been installed upline from the electrical system. Have the automated system's mains power supply fitted with a switch or omnipolar thermal-magnetic circuit breaker with a contact separation of at least 3.0mm and any other equipment required by code.
- Make sure that upline from the mains power supply there is a residual current circuit breaker that trips at no more than 0.03A as well as any other equipment required by code.
- Make sure the earth system has been installed correctly: earth all the metal parts belonging to the entry system (doors, gates, etc.) and all parts of the system featuring an earth terminal.
- Installation must be carried out using safety devices and controls that meet standards EN 12978 and EN 12453.
- Impact forces can be reduced by using deformable edges.
- In the event impact forces exceed the values laid down by the relevant standards, apply electro-sensitive or pressure-sensitive devices.
- Apply all safety devices (photocells, safety edges, etc.) required to keep the area free of impact, crushing, dragging and shearing hazards. Bear in mind the standards and directives in force, Good Practice criteria, intended use, the installation environment, the operating logic of the system and forces generated by the automated system.
- Apply all signs required by current code to identify hazardous areas (residual risks). All installations must be visibly identified in compliance with the provisions of standard EN 13241-1.
- This product cannot be installed on leaves incorporating doors (unless the motor can be activated only when the door is closed).
- If the automated system is installed at a height of less than 2.5 m or is accessible, the electrical and mechanical parts must be suitably protected.
- Install any fixed controls in a position where they will not cause a hazard, away from moving parts. More specifically, hold-to-run controls must be positioned within direct sight of the part being controlled and, unless they are key operated, must be installed at a height of at least 1.5 m and in a place where they cannot be reached by the public.
- Apply at least one warning light (flashing light) in a visible position, and also attach a Warning sign to the structure.
- Attach a label near the operating device, in a permanent fashion, with information on how to operate the automated system's manual release.
- Make sure that, during operation, mechanical risks are avoided or relevant protective measures taken and, more specifically, that nothing can be banged, crushed, caught or cut between the part being operated and surrounding parts.
- Once installation is complete, make sure the motor automation settings are correct and that the safety and release systems are working properly.
- Only use original spare parts for any maintenance or repair work. The Firm disclaims all responsibility for the correct operation and safety of the automated system if parts from other manufacturers are used.
- Do not make any modifications to the automated system's components unless explicitly authorized by the Firm.
- Instruct the system's user on what residual risks may be encountered, on the control systems that have been applied and on how to open the system manually in an emergency. Give the user guide to the end user.
- Dispose of packaging materials (plastic, cardboard, polystyrene, etc.) in accordance with the provisions of the laws in force. Keep nylon bags and polystyrene out of reach of children.

WIRING

WARNING! For connection to the mains power supply, use: a multicore cable with a cross-sectional area of at least 5x1.5mm² or 4x1.5mm² when dealing with three-phase power supplies or 3x1.5mm² for single-phase supplies (by way of example, type H05 VV-F cable can be used with a cross-sectional area of 4x1.5mm²). To connect auxiliary equipment, use wires with a cross-sectional area of at least 0.5 mm².

- Only use pushbuttons with a capacity of 10A-250V or more.
- Wires must be secured with additional fastening near the terminals (for example, using cable clamps) in order to keep live parts well separated from safety extra low voltage parts.
- During installation, the power cable must be stripped to allow the earth wire to be connected to the relevant terminal, while leaving the live wires as short as possible. The earth wire must be the last to be pulled taut in the event the cable's fastening device comes loose.

WARNING! safety extra low voltage wires must be kept physically separate from low voltage wires.

Only qualified personnel (professional installer) should be allowed to access live parts.

CHECKING THE AUTOMATED SYSTEM AND MAINTENANCE

Before the automated system is finally put into operation, and during maintenance work, perform the following checks meticulously:

- Make sure all components are fastened securely.
- Check starting and stopping operations in the case of manual control.
- Check the logic for normal or personalized operation.
- For sliding gates only: check that the rack and pinion mesh correctly with 2 mm of play; keep the track the gate slides on clean and free of debris at all times.
- Check that all safety devices (photocells, safety edges, etc.) are working properly and that the anti-crush safety device is set correctly, making sure that the force of impact measured at the points provided for by standard EN 12445 is lower than the value laid down by standard EN 12453.
- Make sure that the emergency operation works, where this feature is provided.
- Check opening and closing operations with the control devices applied.
- Check that electrical connections and cabling are intact, making extra sure that insulating sheaths and cable glands are undamaged.
- While performing maintenance, clean the photocells' optics.
- When the automated system is out of service for any length of time, activate the emergency release (see "EMERGENCY OPERATION" section) so that the operated part is made idle, thus allowing the gate to be opened and closed manually.

SCRAPPING

Materials must be disposed of in accordance with the regulations in force. There are no particular hazards or risks involved in scrapping the automated system. For the purpose of recycling, it is best to separate dismantled parts into like materials (electrical parts - copper - aluminium - plastic - etc.).

DISMANTLING

If the automated system is being dismantled in order to be reassembled at another site, you are required to:

- Cut off the power and disconnect the whole electrical system.
- Remove the actuator from the base it is mounted on.
- Remove all the installation's components.
- See to the replacement of any components that cannot be removed or happen to be damaged.

Anything that is not explicitly provided for in the installation manual is not allowed. The operator's proper operation can only be guaranteed if the information given is complied with. The Firm shall not be answerable for damage caused by failure to comply with the instructions featured herein.

While we will not alter the product's essential features, the Firm reserves the right, at any time, to make those changes deemed opportune to improve the product from a technical, design or commercial point of view, and will not be required to update this publication accordingly.

1) FOREWORD

The **ARES** actuator is highly versatile in terms of installation options due to the extremely low position of the pinion, the actuator's compact nature and the height and depth adjustment features it offers. The adjustable electronic torque limiter provides anti-crush safety. Manual emergency operation is extremely easy to perform using just a knob.

Stopping at end of travel is controlled by electromechanical microswitches. The built-in control panel controls the start relays and safety devices (photocells, safety edge) each time before performing any operation.

2) TECHNICAL SPECIFICATIONS

MOTOR	
Power supply	single-phase 230V ±10%, 50Hz (*)
Power input	400 W (ARES 1500) 240 W (ARES 1000)
Pinion module	4mm (18 teeth) (ARES 1500/ARES 1000) 4mm (25 teeth) (ARES 1500V / ARES 1000 V)
Leaf speed	9 m/min (ARES 1500/ARES 1000) 12 m/min (ARES 1500V / ARES 1000V)
Max. leaf weight	1500 Kg (ARES 1500) 1000 Kg (ARES 1000) 750 Kg (ARES 1500V) 500 Kg (ARES 1000V)
Max. torque	35 Nm (ARES 1500) 30 Nm (ARES 1000)
Impact reaction	Electronic torque limiter
Lubrication	Lifetime greased
Manual operation	Knob-operated mechanical release
Type of use	intensive
Buffer batteries (optional extras)	Two 12V 1.2Ah batteries
Environmental conditions	from -15°C to +60°C
Protection rating	IP24
Noise level	<70dBA
Operator weight	7 kg
Dimensions	See Fig. K
CONTROL UNIT	
Accessories power supply	24V ~ (180 mA)
Fuses	Fig. G
Built-in Rolling-Code radio-receiver	frequency 433.92MHz
Setting of parameters and options	Universal handheld programmer/LCD display
N° of combinations	4 billion
Max. n° of remotes that can be memorized	63

(*) Special supply voltages to order.

Usable transmitter versions:

All ROLLING CODE transmitters compatible with



3) TUBE ARRANGEMENT Fig.A

Install the electrical system referring to the standards in force for electrical systems CEI 64-8, IEC 364, harmonization document HD 384 and other national standards.

4) PREPARATION FOR MOTOR MOUNTING FIG.B

- Make a hole in the ground to accommodate the concrete pad, with anchors embedded in the base plate for fastening the gearbox assembly, keeping to the distances featured in **FIG.B**.
- To keep the base plate in the right position during installation, it may be useful to weld two iron plates under the track to which the anchors can then be welded (**FIG.M**).

5) MOUNTING THE MOTOR FIG.C

6) MOUNTING DRIVE ACCESSORIES FIG.D-D1

7) RACK CENTRING WITH RESPECT TO PINION FIG.N-O1-P

⚠ DANGER - Welding must be performed by a competent person issued with the necessary personal protective equipment as prescribed by the safety rules in force FIG.O.

8) FASTENING LIMIT SWITCH BRACKETS FIG.E

9) STOPS FIG.Q

⚠ DANGER - The gate must be fitted with mechanical stops to halt its travel both when opening and closing, thus preventing the gate from coming off the top guide. Said stops must be fastened firmly to the ground, a few centimetres beyond the electric stop point.

10) MANUAL RELEASE (See USER GUIDE -FIG.2-).

Warning Do not JERK the gate open and closed, instead push it GENTLY to the end of its travel.

11) TERMINAL BOARD WIRING Fig. F-G

Once suitable electric cables have been run through the raceways and the automated device's various components have been fastened at the predetermined points, the next step is to connect them as directed and illustrated in the diagrams contained in the relevant instruction manuals. Connect the live, neutral and earth wire (compulsory). The mains cable must be clamped in the relevant cable gland (**FIG.R-ref.P1**), and the accessories' wires in the cable gland (**FIG.R-ref.P2**), while the earth wire with the yellow/green-coloured sheath must be connected in the relevant terminal (**FIG.R-ref.S**).

TERMINAL	DESCRIPTION
1-2	Motor connection.
3-4	24V transformer secondary windin (3-, 4+).
5-6	Closing limit switch SWC (5 Black common - 6 Red).
5-7	Opening limit switch SWO (5 Black common -7 Brown).
8-9	Flashing light 24V max. 25W.
10-11	Antenna (10 signal - 11 braiding). Use an antenna tuned to 433MHz. Use RG58 coax cable to connect the Antenna and Receiver. Metal bodies close to the antenna can interfere with radio reception. If the transmitter's range is limited, move the antenna to a more suitable position.
12-13	Accessories power supply: 24 V operation with mains power on. 24 V (12-,13+) operation with no mains power and optional buffer battery kit.
14-15	Free contact (NO). Gate Open Light SCA (24V max. 3W) or 2nd radio channel output (FIG.G-ref.1). This option can be set via the "logic menu".
16-17	Safety device power supply output (photocell transmitter and safety edge transmitter). N.B.: output active only during operating cycle. 24 V Vsafe operation with mains power on. 24 V (16-, 17+) Vsafe operation with no mains power and optional buffer battery kit.
18	Safety device test input FAULT - PHOT (N.O.).
19-20	PEDESTRIAN control button (N.O.) Opens the gate by the distance set with the "Partial Opening" parameter
21-22	START/CLOSE control button (N.O.). This option can be set via the "logic menu". Start - operation according to 3/4-step logic Close - The command causes the leaf to close.
21-23	STOP input (N.C.) The command stops movement. If not used, leave jumper inserted.
21-24	PHOTOCELL input (N.C.) Operation according to photocell during opening logic. If not used, leave jumper inserted.
21-25	Safety edge input BAR (NC). The command reverses movement for 2 secs. If not used, leave jumper inserted.
21-26	OPEN control button (N.O.). Gate opened with this command.
27	Safety device test input FAULT - BAR
31-32	230V~ transformer primary winding.
33-34	Single-phase power supply 230V, 50-60Hz (33N - 34L).

12) SAFETY DEVICES

NOTE: ONLY USE RECEIVING SAFETY DEVICES WITH FREE CHANGEVER CONTACT.

12.1) TESTED DEVICES (FIG. U)

12.2) NON-TESTED DEVICES (FIG. H, U)

13) CALLING UP MENUS: FIG. 1

13.1) PARAMETERS MENU (PAr-Rf) (PARAMETERS TABLE "A")

13.2) LOGIC MENU (LdU ic) (LOGIC TABLE "B")

13.3) RADIO MENU (rRd id) (RADIO TABLE "C")

- IMPORTANT NOTE: THE FIRST TRANSMITTER MEMORIZED MUST BE IDENTIFIED BY ATTACHING THE KEY LABEL (MASTER).

In the event of manual programming, the first transmitter assigns the RECEIVER'S KEY CODE: this code is required to subsequently clone the radio transmitters. The Clonix built-in on-board receiver also has a number of important advanced features:

- Cloning of master transmitter (rolling code or fixed code).
- Cloning to replace transmitters already entered in receiver.
- Transmitter database management.
- Receiver community management.

To use these advanced features, refer to the universal handheld programmer's instructions and to the general receiver programming guide.

13.4) LANGUAGE MENU (LAnGUAGE)

Used to set the programmer's language on the display.

13.5) DEFAULT MENU (dEFaULt)

Restores the controller's DEFAULT factory settings. Following this reset, you will need to run the AUTOSET function again.

13.6) AUTOSET MENU (AUtOSET)

- Launch an autose operation by going to the relevant menu on the panel.
- As soon as you press the OK button, the "... .." message is displayed and the control unit commands the door to perform a full cycle (opening followed by closing), during which the minimum torque value required for the door to move is set automatically.

The number of cycles required for the autose function can range from 1 to 3. During this stage, it is important to avoid breaking the photocells' beams and not to use the START and STOP commands or the display.

Once this operation is complete, the control unit will have automatically set the optimum torque values. Check them and, where necessary, edit them as described in the programming section.

WARNING: Check that the force of impact measured at the points provided for by standard EN 12445 is lower than the value laid down by standard EN 12453.

Warning!! While the autose function is running, the obstacle detection function is not active. Consequently, the installer must monitor the automated system's movements and keep people and property out of range of the automated system.

13.7) STATISTICS MENU

Used to view the version of the board, the total number of operations (in hundreds) and the number of transmitters memorized.

14) CONNECTION WITH EXPANSION BOARDS AND UNIVERSAL HANDHELD PROGRAMMER (Fig.S)

Refer to specific manual.

15) SCS OPTIONAL MODULES**15.1) SERIAL CONNECTION VIA SCS1 CARD (Fig. U)**

The control panel's special serial inputs and outputs (SCS1) make the centralized connection of a number of automated devices possible. That way, all the automated devices connected can be opened or closed with a single command.

Connect all control panels using twisted pair cabling only, proceeding as shown in the diagram in Fig. U.

When using a telephone cable with more than one pair, it is essential to use wires from the same pair.

The length of the telephone cable between one unit and the next must not be greater than 250 m.

At this point, each control panel needs to be configured appropriately, starting by entering a MASTER control panel that will have control over all the others, which therefore have to be set as SLAVE units (see logic menu).

Also set the Zone number (see parameters menu) in the range 0 to 127.

The zone number allows you to create groups of automated devices, each of which answers to the Zone Master. Each zone can have only one Master: the Master of zone 0 also controls the Slaves of the other zones. **Warning:** the control panel set as the MASTER must be the first in the series.

15.2) Opposite sliding leaves (Fig. T)

By means of a serial connection, it is also possible to obtain centralised control of two opposite barriers/gates.

In this case, the Master M1 control panel will simultaneously manage closing and opening for the Slave M2 control panel.

SETTING REQUIRED FOR OPERATION:

- MASTER board: ZONE=128, PRSEr=ON

- SLAVE board: ZONE=128, PRSEr=OFF

WIRING REQUIRED FOR OPERATION:

- The MASTER and SLAVE control units are interconnected through the 4 wires (RX/TX) for the SCS1 interface boards;

- All the activation controls, as well as the remote controls must refer to the MASTER board;

- All the photocells (checked or unchecked) must be connected to the MASTER control panel;

- The safety edges (checked or unchecked) of the MASTER leaf must be connected to the MASTER control unit;

- The safety edges (checked or unchecked) of the SLAVE leaf must be connected to the SLAVE control unit.

15.3) EXPANDING OUTPUTS FOR SAFETY DEVICE TESTING VIA SCS-MA BOARD (Fig. V)

When testing more than 2 devices (Ref. 4, 5, D, E Fig. V), the SCS-MA auxiliary board must be used.

15.4) Interface with WIEGAND systems via SCS-WIE module.

Refer to the SCS-WIE module's instructions.

13.1) TABLE A: PARAMETERS MENU (PARAM)

Parameter	min.	max.	default	personal	Definition	Description
tCR	0	120	40		Automatic Closing Time	Automatic closing time [s]
SLow SPEED	15	50	15		Slow-down speed	Slow-down speed [%] (Fig.2 Rif. F) Set the speed the gate must reach slowing down, in percentage to the actuator's maximum speed. WARNING: should this parameter be edited, it will be followed by a complete opening/closing cycle for setting purposes (reported by the message "SET" appearing on the display), during which obstacle detection is not enabled.
oPt SLow	1	99	75		Opening motor torque	Opening torque [%] Sets sensitivity to obstacles during opening (1=min., 99=mx.) The autose feature sets this parameter automatically to a value of 10%. The user can edit this parameter based on how sensitive the door needs to be to obstacles.
cLSt SLow	1	99	75		Closing motor torque	Closing torque [%] Sets sensitivity to obstacles during closing (1=min., 99=mx.) The autose feature sets this parameter automatically to a value of 10%. The user can edit this parameter based on how sensitive the door needs to be to obstacles.
oP SPEED	15	99	99		Speed during opening	Running speed during opening [%] (Fig. 2 Rif. A) Sets the running speed that the door must reach during opening, as a percentage of the maximum speed the actuator can reach. WARNING: should this parameter be edited, it will be followed by a complete opening/closing cycle for setting purposes (reported by the message "SET" appearing on the display), during which obstacle detection is not enabled.
cL SPEED	15	99	99		Speed during closing	Running speed during closing [%] (Fig. 2 Rif. B) Sets the running speed that the door must reach during closing, as a percentage of the maximum speed the actuator can reach. The autose feature sets this parameter automatically. WARNING: should this parameter be edited, it will be followed by a complete opening/closing cycle for setting purposes (reported by the buzzer emitting a continuous beeping sound and the message SET appearing on the display), during which obstacle detection is not enabled.
PRrt RL oPENInG	10	99	40		Partial opening	Partial opening [%] Adjusts partial opening percentage compared to total opening in "Partial open" mode.
ZonE	0	128	0		Zone	Zone [] Sets the zone number of the door included in the serial connection for commands via central controllers. Zone 128: Serial connection for opposite Sliding Leaves.
d,St. dEcEL (special par 18*)	0	50	0		Slow-down distance	Slow-down distance [%] (Fig.2 Rif. C) Set the distance the gate needs to go from high to low speed in percentage to total travel. WARNING: should this parameter be edited, it will be followed by a complete opening/closing cycle for setting purposes (reported by the message "SET" appearing on the display), during which obstacle detection is not enabled.
oPd,St. dEcEL (special par 19*)	5	50	10		Opening deceleration space	Opening deceleration space [%] (Fig.2 Rif. D) Set the opening slow-down distance in percentage to total travel. This distance is covered at low speed. WARNING: should this parameter be edited, it will be followed by a complete opening/closing cycle for setting purposes (reported by the message "SET" appearing on the display), during which obstacle detection is not enabled.
cL,d,St. dEcEL (special par 20*)	5	50	10		Closing deceleration space	Closing slow-down distance [%] (Fig.2 Rif. E) Set the closing slow-down distance in percentage to total travel. This distance is covered at low speed. WARNING: should this parameter be edited, it will be followed by a complete opening/closing cycle for setting purposes (reported by the message "SET" appearing on the display), during which obstacle detection is not enabled.

*=Refer for universal handheld programmer.

INSTALLATION MANUAL

D811692 00100_04

13.2) TABLE "B" - LOGIC MENU - (L o U , c)

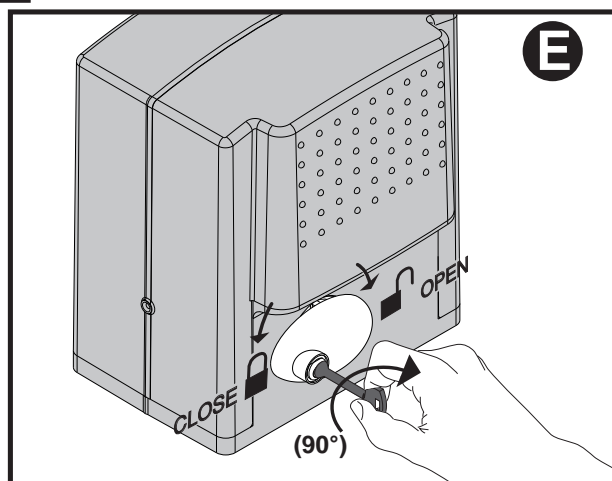
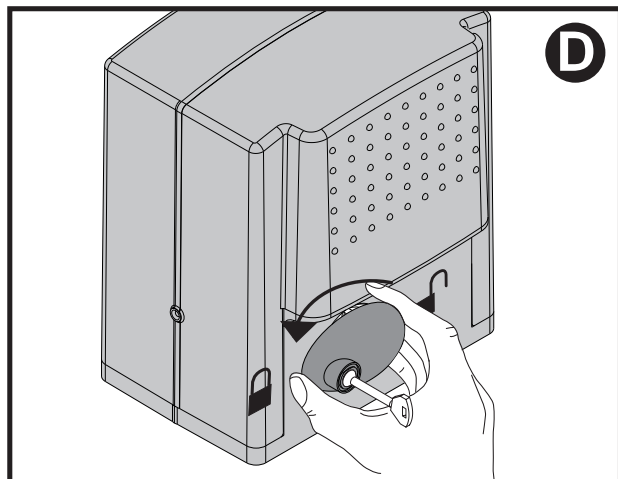
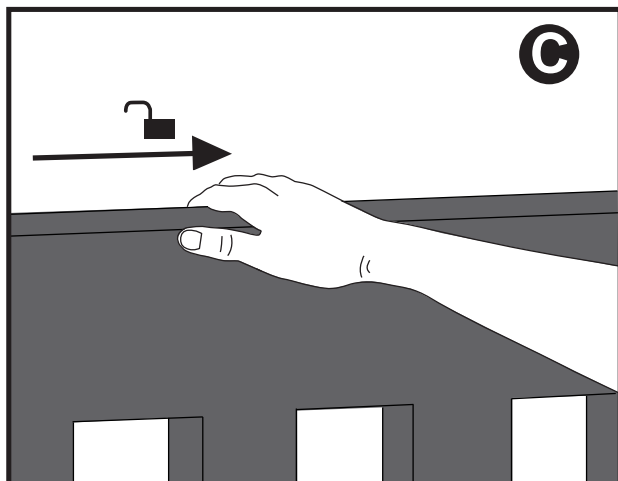
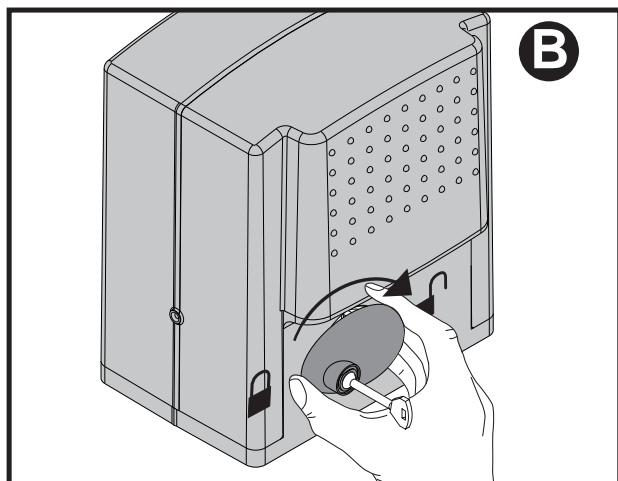
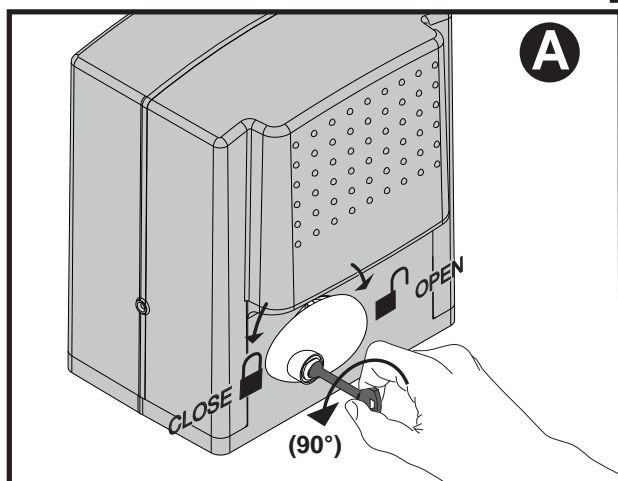
Logic	Default	Definition	Cross out setting used	Description																	
t c R	OFF	Automatic Closing Time	ON	Activates automatic closing																	
			OFF	Excludes automatic closing																	
i b l o P E n	OFF	Opening Impulse lock	ON	The Start impulse has no effect during the opening phase.																	
			OFF	The Start impulse becomes effective during the opening phase.																	
i b l t c R	OFF	Impulse lock TCA	ON	The Start impulse has no effect during the TCA dwell period.																	
			OFF	The Start impulse becomes effective during the TCA dwell period.																	
3 S t E P	OFF	3 step	ON	Switches to 3-step logic.																	
			OFF	Switches to 4-step logic.																	
<i>A start impulse has the following effects:</i>																					
				<table border="1" style="width: 100%; text-align: center;"> <thead> <tr> <th></th> <th>3 steps</th> <th>4 steps</th> </tr> </thead> <tbody> <tr> <td>closed</td> <td rowspan="2">opens</td> <td>opens</td> </tr> <tr> <td>on closing</td> <td>stop</td> </tr> <tr> <td>open</td> <td>closes</td> <td>closes</td> </tr> <tr> <td>on opening</td> <td>stop + TCA</td> <td>stop + TCA</td> </tr> <tr> <td>after stop</td> <td>opens</td> <td>opens</td> </tr> </tbody> </table>		3 steps	4 steps	closed	opens	opens	on closing	stop	open	closes	closes	on opening	stop + TCA	stop + TCA	after stop	opens	opens
	3 steps	4 steps																			
closed	opens	opens																			
on closing		stop																			
open	closes	closes																			
on opening	stop + TCA	stop + TCA																			
after stop	opens	opens																			
P r E A L	OFF	Pre-alarm	ON	The flashing light comes on approx. 3 seconds before the motors start.																	
			OFF	The flashing light comes on at the same time as the motors start.																	
h o l d t o r u n	OFF	Deadman	ON	Hold-to-run operation: the manoeuvre continues as long as the OPEN and CLOSE control keys are kept pressed. The radio transmitter cannot be used.																	
			OFF	Normal impulse operation.																	
P h o t o c . o P E n	OFF	Photocells during opening	ON	When beam is broken, operation of the photocell is switched off during opening. During closing, movement is reversed immediately.																	
			OFF	When beam is broken, photocells are active during both opening and closing. When beam is broken during closing, movement is reversed only once the photocell is cleared.																	
t E S t P h o t	OFF	Photocell test	ON	Switches photocell testing on																	
			OFF	Switches photocell testing off If disabled (OFF), it inhibits the photocell testing function, enabling connection of devices not equipped with supplementary test contacts.																	
t E S t b A r	OFF	Safety edge testing	ON	Switches safety edge testing on.																	
			OFF	Switches safety edge testing off If disabled (OFF), it inhibits the safety edge testing function, enabling connection of devices not equipped with supplementary test contacts.																	
M A S T E r	OFF	Master/slave	ON	Control panel is set up as the Master unit in a centralized serial connection system.																	
			OFF	Control panel is set up as a Slave unit in a centralized serial connection system.																	
F i x E d c o d E	OFF	Fixed code	ON	Receiver is configured for operation in fixed-code mode.																	
			OFF	Receiver is configured for operation in rolling-code mode.																	
r R d i o P r o G	ON	Remote control programming	ON	Enables wireless memorizing of transmitters: 1- Press in sequence the hidden key (P1) and normal key (T1-T2-T3-T4) of a transmitter that has already been memorized in standard mode via the radio menu. 2- Press within 10 secs. the hidden key (P1) and normal key (T1-T2-T3-T4) of a transmitter to be memorized. IMPORTANT: Enables the automatic addition of new transmitters, clones and replays. The receiver exits programming mode after 10 secs.: you can use this time to enter other new transmitters. This mode does not require access to the control panel.																	
			OFF	Disables wireless memorizing of transmitters. Transmitters are memorized only using the relevant Radio menu. IMPORTANT: Disables the automatic addition of new transmitters, clones and replays.																	
S c R 2 c h	OFF	Gate open light or 2nd radio channel	ON	The output between terminals 14-15 is set as Gate open light: in this case, the 2nd radio channel controls pedestrian opening.																	
			OFF	The output between terminals 14-15 is set as 2nd radio channel.																	
S t A r t - c l o s E	OFF	START - CLOSE setting	ON	Input between terminals 21-22 works as CLOSE.																	
			OFF	Input between terminals 21-22 works as START.																	
c h A n G E M o t.	OFF	Reversing motion	ON	Change this parameter if the opening direction needs to be changed																	
			OFF	Standard operating mode.																	
i c E (special dip 2*)	OFF	ICE	ON	The controller automatically adjusts the Amperostop safety trip threshold. Check that the force of impact measured at the points provided for by standard EN 12445 is lower than the value laid down by standard EN 12453. If in doubt, use auxiliary safety devices. This feature is useful when dealing with installations running at low temperatures. WARNING: once this feature has been activated, you will need to perform an autoset opening and closing cycle.																	
			OFF	The Amperostop safety trip threshold stays at the same set value.																	

*=Refer for universal handheld programmer.

13.3) TABLE C: RADIO MENU (r R d i o)

Logic	Description
A d d S t A r t	Add Start Key associates the desired key with the Start command.
A d d 2 c h	Add 2ch Key associates the desired key with the 2nd radio channel command.
E r A S E E Y	Erase List WARNING! Erases all memorized remote controls from the receiver's memory.
c o d r H	Read receiver code Displays receiver code required for cloning remote controls.
W L K	ON = Enables remote programming of cards via a previously memorized W LINK transmitter. It remains enabled for 3 minutes from the time the W LINK remote control is last pressed. OFF = W LINK programming disabled.

Fig. 2

**AVVERTENZE PER L'UTILIZZATORE (I)**

ATTENZIONE! Importanti istruzioni di sicurezza. Leggere e seguire attentamente le Avvertenze e le Istruzioni che accompagnano il prodotto poiché un uso improprio può causare danni a persone, animali o cose. Conservare le istruzioni per consultazioni future e trasmetterle ad eventuali subentranti nell'uso dell'impianto.

Questo prodotto dovrà essere destinato solo all'uso per il quale è stato espressamente installato. Ogni altro uso è da considerarsi improprio e quindi pericoloso. Il costruttore non può essere considerato responsabile per eventuali danni causati da usi impropri, erronei e irragionevoli.

SICUREZZA GENERALE

Nel ringraziarVi per la preferenza accordata a questo prodotto, la Ditta è certa che da esso otterrete le prestazioni necessarie al Vostro uso.

Questo prodotto risponde alle norme riconosciute della tecnica e della disposizioni relative alla sicurezza se correttamente installato da personale qualificato ed esperto (installatore professionale).

L'automazione, se installata ed utilizzata correttamente, soddisfa gli standard di sicurezza nell'uso. Tuttavia è opportuno osservare alcune regole di comportamento per evitare inconvenienti accidentali:

- Tenere bambini, persone e cose fuori dal raggio d'azione dell'automazione, in particolare durante il movimento.
- Non permettere a bambini di giocare o sostare nel raggio di azione dell'automazione.
- Questa automazione non è destinata all'uso da parte di bambini o da parte di persone con ridotte capacità mentali, fisiche e sensoriali, o persone che mancano di conoscenze adeguate.
- Evitare di operare in prossimità delle cerniere o organi meccanici in movimento.
- Non contrastare il movimento dell'anta e non tentare di aprire manualmente la porta se non è stato sbloccato l'attuatore con l'apposita manopola di sblocco.
- Non entrare nel raggio di azione della porta o cancello motorizzati durante il loro movimento.
- Non lasciare radiocomandi o altri dispositivi di comando alla portata dei bambini onde evitare azionamenti involontari.
- L'attivazione dello sblocco manuale potrebbe causare movimenti incontrollati della porta se in presenza di guasti meccanici o di condizioni di squilibrio.
- In caso di apertapparelle: sorvegliare la tapparella in movimento e tenere lontano le persone finché non è completamente chiusa. Porre cura quando si aziona lo sblocco se presente, poiché una tapparella aperta potrebbe cadere rapidamente in presenza di usura o rotture.
- La rottura o l'usura di organi meccanici della porta (parte guidata), quali ad esempio cavi, molle, supporti, cardini, guide.. potrebbe generare pericoli. Far controllare periodicamente l'impianto da personale qualificato ed esperto (installatore professionale) secondo quanto indicato dall'installatore o dal costruttore della porta.
- Per ogni operazione di pulizia esterna, togliere l'alimentazione di rete.
- Tenere pulite le ottiche delle fotocellule ed i dispositivi di segnalazione luminosa. Controllare che rami ed arbusti non disturbino i dispositivi di sicurezza.
- Non utilizzare l'automatismo se necessita di interventi di riparazione. In caso di guasto o di malfunzionamento dell'automazione, togliere l'alimentazione di rete sull'automazione, astenersi da qualsiasi tentativo di riparazione o intervento diretto e rivolgersi solo a personale qualificato ed esperto (installatore professionale) per la necessaria riparazione o manutenzione. Per consentire l'accesso, attivare lo sblocco di emergenza (se presente).
- Per qualsiasi intervento diretto sull'automazione o sull'impianto non previsto dal presente manuale, avvalersi di personale qualificato ed esperto (installatore professionale).
- Con frequenza almeno annuale far verificare l'integrità e il corretto funzionamento dell'automazione da personale qualificato ed esperto (installatore professionale), in particolare di tutti i dispositivi di sicurezza.
- Gli interventi d'installazione, manutenzione e riparazione devono essere documentati e la relativa documentazione tenuta a disposizione dell'utilizzatore.
- Il mancato rispetto di quanto sopra può creare situazioni di pericolo.

Tutto quello che non è espressamente previsto nel manuale d'uso, non è permesso. Il buon funzionamento dell'operatore è garantito solo se vengono rispettate le prescrizioni riportate in questo manuale. La Ditta non risponde dei danni causati dall'inosservanza delle indicazioni riportate in questo manuale.

Lasciando inalterate le caratteristiche essenziali del prodotto, la Ditta si riserva di apportare in qualunque momento le modifiche che essa ritiene convenienti per migliorare tecnicamente, costruttivamente e commercialmente il prodotto, senza impegnarsi ad aggiornare la presente pubblicazione.

USER WARNINGS (GB)

WARNING! Important safety instructions. Carefully read and comply with the Warnings and Instructions that come with the product as improper use can cause injury to people and animals and damage to property. Keep the instructions for future reference and hand them on to any new users. This product is meant to be used only for the purpose for which it was explicitly installed. Any other use constitutes improper use and, consequently, is hazardous. The manufacturer cannot be held liable for any damage as a result of improper, incorrect or unreasonable use.

GENERAL SAFETY

Thank you for choosing this product. The Firm is confident that its performance will meet your operating needs.

This product meets recognized technical standards and complies with safety provisions when installed correctly by qualified, expert personnel (professional installer).

If installed and used correctly, the automated system will meet operating safety standards. Nonetheless, it is advisable to observe certain rules of behaviour so that accidental problems can be avoided:

- Keep adults, children and property out of range of the automated system, especially while it is moving.
- Do not allow children to play or stand within range of the automated system.
- This automated system is not meant for use by children or by people with impaired mental, physical or sensory capacities, or people who do not have suitable knowledge.
- Do not work near hinges or moving mechanical parts.
- Do not hinder the leaf's movement and do not attempt to open the door manually unless the actuator has been released with the relevant release knob.
- Keep out of range of the motorized door or gate while they are moving.
- Keep remote controls or other control devices out of reach of children in order to avoid the automated system being operated inadvertently.
- The manual release's activation could result in uncontrolled door movements if there are mechanical faults or loss of balance.
- When using roller shutter openers: keep an eye on the roller shutter while it is moving and keep people away until it has closed completely. Exercise care when activating the release, if such a device is fitted, as an open shutter could drop quickly in the event of wear or breakage.
- The breakage or wear of any mechanical parts of the door (operated part), such as cables, springs, supports, hinges, guides, ..., may generate a hazard. Have the system checked by qualified, expert personnel (professional installer) at regular intervals according to the instructions issued by the installer or manufacturer of the door.
- When cleaning the outside, always cut off mains power.
- Keep the photocells' optics and illuminating indicator devices clean. Check that no branches or shrubs interfere with the safety devices.
- Do not use the automated system if it is in need of repair. In the event the automated system breaks down or malfunctions, cut off mains power to the system; do not attempt to repair or perform any other work to rectify the fault yourself and instead call in qualified, expert personnel (professional installer) to perform the necessary repairs or maintenance. To allow access, activate the emergency release (where fitted).
- If any part of the automated system requires direct work of any kind that is not contemplated herein, employ the services of qualified, expert personnel (professional installer).
- At least once a year, have the automated system, and especially all safety devices, checked by qualified, expert personnel (professional installer) to make sure that it is undamaged and working properly.
- A record must be made of any installation, maintenance and repair work and the relevant documentation kept and made available to the user on request.
- Failure to comply with the above may result in hazardous situations.

Anything that is not explicitly provided for in the user guide is not allowed. The operator's proper operation can only be guaranteed if the instructions given herein are complied with. The Firm shall not be answerable for damage caused by failure to comply with the instructions featured herein.

While we will not alter the product's essential features, the Firm reserves the right, at any time, to make those changes deemed opportune to improve the product from a technical, design or commercial point of view, and will not be required to update this publication accordingly.

AVERTISSEMENTS POUR L'UTILISATEUR (F)

ATTENTION ! Instructions de sécurité importantes. Veuillez lire et suivre attentivement tous les avertissements et toutes les instructions fournis avec le produit sachant qu'un usage incorrect peut provoquer des préjudices aux personnes, aux animaux ou aux biens. Veuillez conserver les instructions pour d'ultérieures consultations et pour les transmettre aux propriétaires futurs éventuels.

Cet appareil ne peut être destiné qu'à l'usage pour lequel il a été expressément installé. Tout autre usage sera considéré comme impropre et donc dangereux. Le fabricant ne sera en aucun cas considéré comme responsable des préjudices dus à un usage impropre, erroné ou déraisonné.

SECURITE GÉNÉRALE

Nous vous remercions d'avoir choisi ce produit qui, nous n'en doutons pas, saura vous garantir les performances attendues.

Ce produit, correctement installé par du personnel qualifié et expérimenté (monteur professionnel) est conforme aux normes reconnues de la technique et des prescriptions de sécurité.

Si l'automatisation est montée et utilisée correctement, elle garantit la sécurité d'utilisation prescrite. Il est cependant nécessaire de respecter certaines règles de comportement pour éviter tout inconvénient accidentel.

- Tenir les enfants, les personnes et les objets à l'écart du rayon d'action de l'automatisation, en particulier pendant son fonctionnement.
- Empêcher les enfants de jouer ou de stationner dans le rayon d'action de l'automatisation.
- Cette automatisation n'est pas conçue pour être utilisée par des enfants, des personnes ayant un handicap mental, physique ou sensoriel ou des personnes dépourvues des connaissances nécessaires.
- Eviter d'opérer à proximité des charnières ou des organes mécaniques en mouvement.
- Ne pas s'opposer volontairement au mouvement du vantail et ne pas tenter d'ouvrir la porte à la main si le déclencheur n'est pas déverrouillé avec le levier de déverrouillage prévu à cet effet.

- Ne pas entrer dans le rayon d'action du portail/de la porte motorisé/e pendant son mouvement.
- Ranger les radiocommandes ou les autres dispositifs de commande hors de portée des enfants afin d'éviter tout actionnement involontaire.
- L'activation du déverrouillage manuel risque de provoquer des mouvements incontrôlés de la porte en présence de pannes mécaniques ou de conditions de déséquilibre.
- Avec les ouvre-stores: surveiller le store en mouvement et veiller à ce que les personnes restent à l'écart tant qu'il n'est pas complètement fermé. Actionner l'éventuel déverrouillage avec prudence car si un store reste ouvert il peut tomber brutalement s'il est usé ou cassé.
- La rupture ou l'usure des organes mécaniques de la porte (partie guidée), tels que les câbles, les ressorts, les supports et les gonds peuvent générer des risques. Faire contrôler périodiquement l'installation par du personnel qualifié et expérimenté (monteur professionnel), conformément aux indications du monteur ou du fabricant de la porte.
- Mettre hors tension avant d'accomplir les opérations de nettoyage extérieur.
- Veiller à la propreté des lentilles des photocellules et des lampes de signalisation. Veiller à ce que les dispositifs de sécurité ne soient pas gênés par des branches ou des arbustes.
- Ne pas utiliser l'automatisation si elle a besoin d'être réparée. En cas de panne ou de mauvais fonctionnement de l'automatisation, mettre l'automatisation hors tension, éviter toute tentative de réparation ou d'intervention directe et s'adresser uniquement à du personnel qualifié et expérimenté (monteur professionnel) pour la réparation ou les opérations d'entretien nécessaires. Pour permettre l'accès, activer le déverrouillage d'urgence (s'il y en a un).
- Pour toutes les interventions directes sur l'automatisation ou sur l'installation non prévues dans le présent manuel, s'adresser uniquement à du personnel qualifié et expérimenté (monteur professionnel).
- Une fois par an au moins, faire vérifier le bon état et le bon fonctionnement de l'automatisation par du personnel qualifié et expérimenté (monteur professionnel) et en particulier tous les dispositifs de sécurité.
- Les interventions de montage, d'entretien et de réparation doivent être documentées et cette documentation doit être tenue à la disposition de l'utilisateur.
- Le non respect des prescriptions ci-dessus peut être à l'origine de dangers.

Tout ce qui n'est pas expressément prévu dans le manuel de montage est interdit. Le bon fonctionnement de l'appareil n'est garanti que si les données indiquées sont respectées. Le Fabricant ne répond pas des dommages provoqués par l'observation des indications données dans ce manuel.

En laissant inaltérées les caractéristiques essentielles de l'appareil, l'entreprise se réserve le droit d'apporter à tout moment les modifications qu'elle jugera opportunes pour améliorer le produit du point de vue technique, commercial et de sa construction, sans s'engager à mettre à jour la présente publication.

HINWEISE FÜR DEN BENUTZER (D)

ACHTUNG! Wichtige Hinweise zur Sicherheit. Bitte lesen und befolgen Sie aufmerksam die Hinweise sowie die Bedienungsanleitung, die das Produkt begleiten, denn eine falsche Benutzung des Produkts kann zu Verletzungen von Menschen und Tieren sowie zu Sachschäden führen. Bitte bewahren Sie die Anweisungen für die zukünftige Konsultation sowie für eventuelle zukünftige Benutzer der Anlage auf.

Dieses Produkt ist ausschließlich für den Einsatz bestimmt, für den es ausdrücklich installiert worden ist. Alle sonstigen Einsatzweisen gelten als Zweckentfremdung und somit als gefährlich. Der Hersteller kann nicht für eventuelle Schäden haftbar gemacht werden, die auf Zweckentfremdung oder unsachgemäße Verwendung zurückzuführen sind.

ALLGEMEINE SICHERHEIT

Wir danken Ihnen dafür, dass Sie diesem Produkt den Vorzug gegeben haben, und sind sicher, dass Sie mit ihm die für Ihre Anwendung erforderlichen Leistungen erzielen werden.

Dieses Produkt entspricht den anerkannten Normen der Technik sowie den Sicherheitsbestimmungen, falls es von qualifiziertem Fachpersonal (professioneller Installateur) ordnungsgemäß installiert wird.

Bei ordnungsgemäßer Installation und Benutzung erfüllt die Automatisierung die geforderten Sicherheitsstandards. Dennoch sollten einige Verhaltensregeln beachtet werden, um Zwischenfälle zu vermeiden:

- Halten Sie Kinder, Personen und Sachen aus dem Wirkungsbereich der Automatisierung fern, vor allem während der Bewegung.
- Verhindern Sie, dass sich Kindern im Aktionsradius der Automatisierung aufhalten oder dort spielen.
- Diese Automatisierung ist nicht für die Benutzung durch Kinder oder Personen mit eingeschränkten geistigen oder körperlichen Fähigkeiten sowie Personen ohne ausreichende Kenntnisse bestimmt.
- Vermeiden Sie Arbeiten in der Nähe der Scharniere oder der beweglichen Bauteile.
- Halten Sie die Bewegung der Tür nicht auf und versuchen Sie nicht, die Tür von Hand zu öffnen, wenn der Trieb nicht mit dem entsprechenden Entsperrhebel entsperrt worden ist.
- Halten Sie sich während der Bewegung aus dem Aktionsradius der Tür oder des motorisierten Tors fern.
- Halten Sie die Funkfernbedienung oder sonstige Steuerungsvorrichtungen von Kindern fern, um unbeabsichtigte Betätigungen der Automatisierung zu vermeiden.
- Die Aktivierung der manuellen Entsperrung könnte bei mechanischen Defekten oder Ungleichgewichtssituationen zu unkontrollierten Bewegungen der Tür führen.
- Bei Rollladenautomatisierungen: Überwachen Sie den Rollladen während der Bewegung und halten Sie Personen fern, bis er vollständig geschlossen ist. Gehen Sie bei der Betätigung der eventuellen Entsperrung mit Vorsicht vor, da der offene Rollladen bei Brüchen oder Abnutzung herunterfallen könnte.
- Das Brechen oder die Abnutzung der mechanischen Organe der Tür (geführter Teil) wie zum Beispiel Kabel, Federn, Aufhängungen, Führungen usw. könnte zu Gefahren führen. Lassen Sie die Anlage in regelmäßigen Abständen von qualifiziertem Fachpersonal (professioneller Installateur) unter Beachtung der Angaben des Installateurs oder des Herstellers der Tür überprüfen.
- Unterbrechen Sie vor allen externen Reinigungsarbeiten die Stromversorgung.
- Halten Sie die Linsen der Fotozellen und die Anzeigevorrichtungen sauber. Stellen Sie sicher, dass die Sicherheitsvorrichtungen nicht durch Zweige oder Sträucher beeinträchtigt werden.
- Benutzen Sie die Automatisierung nicht, falls sie Reparatureingriffe erforderlich



- macht. Unterbrechen Sie bei Beschädigungen oder Funktionsstörungen die Stromversorgung der Automatisierung, unternehmen Sie keine Reparaturversuche oder direkte Eingriffe und wenden Sie sich für die erforderliche Reparatur oder Wartung an qualifiziertes Fachpersonal (professioneller Installateur). Aktivieren Sie für den Zugang die Notfallentsperrung (falls vorhanden).
- Wenden Sie sich für alle im vorliegenden Handbuch nicht vorgesehene direkten Eingriffe an der Automatisierung oder der Anlage an qualifiziertes Fachpersonal (professioneller Installateur).
 - Lassen Sie die Unversehrtheit und den ordnungsgemäßen Betrieb der Automatisierung sowie insbesondere der Sicherheitsvorrichtungen zumindest einmal jährlich von qualifiziertem Fachpersonal (professioneller Installateur) überprüfen.
 - Die Installations-, Wartungs- und Reparatureingriffe müssen dokumentiert werden und die Dokumentation muss dem Benutzer zur Verfügung gehalten werden.
 - Die Nichtbeachtung dieser Anweisung kann zu Gefahrensituationen führen.

Alles, was im Installationshandbuch nicht ausdrücklich vorgesehen ist, ist untersagt. Der ordnungsgemäße Betrieb des Triebwerks kann nur garantiert werden, wenn alle angegebenen Daten eingehalten werden. Die Firma haftet nicht für Schäden, die auf die Nichtbeachtung der Hinweise im vorliegenden Handbuch zurückzuführen sind.

Unter Beibehaltung der wesentlichen Eigenschaften des Produktes kann die Firma jederzeit und ohne Verpflichtung zur Aktualisierung des vorliegenden Handbuchs Änderungen zur technischen, konstruktiven oder handelsrechtlichen Verbesserung vornehmen.

ADVERTENCIAS PARA EL USUARIO (E)

¡ATENCIÓN! Instrucciones de seguridad importantes. Leer y seguir con atención las Advertencias y las Instrucciones que acompañan el producto, ya que el uso inapropiado puede causar daños a personas, animales o cosas. Guardar las instrucciones para futuras consultas y transmitir las a eventuales reemplazantes en el uso de la instalación. Este producto se deberá utilizar únicamente para el uso para el cual ha sido expresamente instalado. Cualquier otro uso se considerará inadecuado y por lo tanto peligroso. El fabricante no se responsabiliza por posibles daños causados debido a usos inapropiados, erróneos e irrazonables.

SEGURIDAD GENERAL

- Le agradecemos por haber elegido este producto, en la Empresa estamos seguros que obtendrán las prestaciones necesarias para su uso.
- Este producto responde a las normas reconocidas de la técnica y de las disposiciones inherentes a la seguridad siempre que haya sido correctamente instalado por personal cualificado y experto (instalador profesional).
- La automatización, si se instala y utiliza de manera correcta, cumple con los estándares de seguridad para el uso. Sin embargo es conveniente respetar algunas reglas de comportamiento para evitar inconvenientes accidentales:
- Mantener a niños, personas y cosas fuera del radio de acción de la automatización, especialmente durante su movimiento.
 - No permitir que los niños jueguen o permanezcan en el radio de acción de la automatización.
 - Esta automatización no está destinada para ser utilizada por niños o por personas con capacidades mentales, físicas y sensoriales reducidas, o personas que no cuenten con conocimientos adecuados.
 - Evitar operar cerca de las bisagras o de los órganos mecánicos en movimiento.
 - No obstaculizar el movimiento de la hoja y no intentar abrir manualmente la puerta si no se ha desbloqueado el accionador con el botón de desbloqueo específico.
 - No ingresar al radio de acción de la puerta o cancela motorizada durante el movimiento de las mismas.
 - No dejar radiomandos u otros dispositivos de mando al alcance de niños, para evitar accionamientos involuntarios.
 - La activación del desbloqueo manual podría causar movimientos incontrolados de la puerta en caso de averías mecánicas o condiciones de desequilibrio.
 - En caso de automatizaciones para persianas enrollables: vigilar la persiana en movimiento y mantener alejadas a las personas hasta que esté completamente cerrada. Tener precaución cuando se acciona el desbloqueo, si estuviera presente, puesto que una persiana enrollable abierta podría caer rápidamente en caso de desgaste o roturas.
 - La rotura o el desgaste de órganos mecánicos de la puerta (parte guiada), como por ejemplo cables, muelles, soportes, goznes, guías, etc. podría generar peligros. Hacer controlar periódicamente la instalación por personal cualificado y experto (instalador profesional), según lo indicado por el instalador o por el fabricante de la puerta.
 - Para cualquier operación de limpieza exterior, interrumpir la alimentación de red.
 - Mantener limpias las ópticas de las fotocélulas y los dispositivos de señalización luminosa. Controlar que ramas y arbustos no obstaculicen los dispositivos de seguridad.
 - No utilizar la automatización si necesita intervenciones de reparación. En caso de avería o de defecto de funcionamiento de la automatización, interrumpir la alimentación de red en la automatización, abstenerse de cualquier intento de reparación o intervención directa y recurrir sólo a personal cualificado y experto (instalador profesional) para la necesaria reparación y mantenimiento. Para permitir el acceso, activar el desbloqueo de emergencia (si estuviera presente).
 - Para cualquier intervención directa en la automatización o en la instalación no prevista por el presente manual, recurrir a personal cualificado y experto (instalador profesional).
 - Al menos una vez al año hacer controlar la integridad y el correcto funcionamiento de la automatización por personal cualificado y experto (instalador profesional), en particular de todos los dispositivos de seguridad.
 - Las intervenciones de instalación, mantenimiento y reparación deben ser registradas y la documentación correspondiente se debe mantener a disposición del usuario.
 - El incumplimiento de lo antes indicado puede provocar situaciones de peligro.

Todo aquello que no expresamente previsto en el manual de uso, no está permitido. El buen funcionamiento del operador es garantizado sólo si se respetan las prescripciones indicadas en el presente manual. La Empresa no se responsabiliza por los daños causados por el incumplimiento de las indicaciones dadas en el presente manual.

Dejando inalteradas las características esenciales del producto, la Empresa se reserva el derecho de realizar, en cualquier momento, modificaciones que considere convenientes para mejorar la técnica, la fabricación y la comercialización del producto, sin comprometerse a actualizar la presente publicación.

WAARSCHUWINGEN VOOR DE GEBRUIKER(NL)

LET OP! Belangrijke veiligheidsinstructies. De Waarschuwingen en de Instructies die met het product meegeleverd worden zorgvuldig lezen en volgen, aangezien verkeerd gebruik schade aan personen, dieren of voorwerpen kan veroorzaken. De instructies bewaren voor toekomstige raadpleging en doorgeven aan eventuele personen die het gebruik van de installatie overnemen.

Dit product is uitsluitend bestemd voor het gebruik waarvoor het uitdrukkelijk geïnstalleerd is. Ieder ander gebruik dient als oneigenlijk en dus gevaarlijk beschouwd te worden. De fabrikant mag niet verantwoordelijk worden gehouden voor eventuele schade veroorzaakt door oneigenlijk, verkeerd of onredelijk gebruik.

ALGEMENE VEILIGHEID

- Wij danken u ervoor dat u de voorkeur hebt gegeven aan dit product. Wij als bedrijf zijn er zeker van dat dit product de voor uw gebruik noodzakelijke prestaties kan leveren.
- Dit product voldoet aan de erkende normen van de techniek en van de bepalingen betreffende de veiligheid, indien correct geïnstalleerd door gekwalificeerd en ervaren personeel (professionele installateur).
- Het automatiseringssysteem, indien juist geïnstalleerd en gebruikt, voldoet aan de vereiste veiligheidsgraad bij het gebruik. Het is niettemin nuttig enkele gedragsregels in acht te nemen om onopzettelijke ongemakken te vermijden:
- Kinderen, personen en voorwerpen buiten de actieradius van het automatiseringssysteem houden, met name tijdens de beweging.
 - Niet aan kinderen toestaan om in de actieradius van het automatiseringssysteem te spelen of zich daarbinnen te bevinden.
 - Dit automatiseringssysteem is niet bestemd om te worden gebruikt door kinderen of door personen waarvan de mentale, fysieke en sensorische capaciteiten beperkt zijn, of met gebrek aan kennis.
 - Vermijden om te werken in de buurt van de scharnieren of bewegende mechanische onderdelen.
 - De beweging van de vleugel niet tegengaan en niet proberen de deur handmatig te openen, als de actuator niet gedeblokkeerd is met de speciale deblokkeringsknop.
 - Niet de actieradius van de gemotoriseerde deur of hek betreden tijdens de beweging daarvan.
 - Afstandsbedieningen of andere besturingsinrichtingen buiten bereik van kinderen bewaren om ongewilde activeringen te vermijden.
 - De activering van de handmatige deblokkering zou ongecontroleerde bewegingen van de deur kunnen veroorzaken, als dit gebeurt tijdens mechanische storingen of in onevenwichtige toestanden.
 - In geval van afstandsbediening rolluiken: het bewegende rolluik controleren en de personen op een afstand houden tot deze niet volledig gesloten is. Opletten wanneer de deblokkering wordt geactiveerd, indien aanwezig, omdat een open rolluik snel zou kunnen vallen in aanwezigheid van slijtage of gebreken.
 - Het stukgaan of de slijtage van mechanische onderdelen van de deur (geleide deel), zoals bijvoorbeeld kabels, veren, steunen, klem-scharnieren, geleiders, kan gevaaren veroorzaken. De installatie periodiek laten controleren door gekwalificeerd en ervaren personeel (professionele installateur) volgens hetgeen aangegeven door de installateur of de deurenfabrikant.
 - Voor alle externe schoonmaakwerkzaamheden het voedingsnet loskoppelen.
 - De optieken van de fotocellen en de signaleringsinrichtingen schoon houden. Controleren of takken en struiken de veiligheidsinrichtingen niet storen.
 - Het automatisme niet gebruiken, als daarop onderhoudswerkzaamheden nodig zijn. In geval van storing of defect van het automatiseringssysteem, het voedingsnet loskoppelen van het automatiseringssysteem, geen pogingen ondernemen tot reparatie of directe werkzaamheden en zich alleen tot gekwalificeerd en ervaren personeel wenden (professionele installateur) voor de noodzakelijke reparatie of onderhoud. Om de toegang mogelijk te maken, de nood-deblokkering activeren (indien aanwezig).
 - Voor wat voor directe werkzaamheden dan ook op het automatiseringssysteem of de installatie, die niet door deze handleiding voorzien zijn, gebruik maken van gekwalificeerd en ervaren personeel (professionele installateur).
 - Minstens eenmaal per jaar de goede toestand en de correcte werking van het automatiseringssysteem laten controleren door gekwalificeerd en ervaren personeel (professionele installateur), met name van alle veiligheidsinrichtingen.
 - De installatie-, onderhouds- en reparatiewerkzaamheden moeten gedocumenteerd worden en de desbetreffende documentatie moet ter beschikking worden gehouden van de gebruiker.
 - Het niet naleven van hetgeen hierboven beschreven is, kan gevaarlijke situaties creëren.

Al hetgeen niet uitdrukkelijk voorzien is in deze gebruikershandleiding, is niet toegestaan. De goede werking van de controller is alleen gegarandeerd, als de voorschriften aanwezig in deze handleiding in acht worden genomen. Het bedrijf is niet gehouden zich te verantwoorden voor de schade veroorzaakt door het niet in acht nemen van de aanwijzingen vermeld in deze handleiding.

Terwijl de hoofdkenmerken van het product ongewijzigd blijven, behoudt het Bedrijf zich het recht voor om op ieder willekeurig moment die wijzigingen aan te brengen die zij geschikt acht om het product technisch, constructief en commercieel gezien te verbeteren, zonder deze publicatie te hoeven bijwerken.

BFT S.P.A.

Via Lago di Vico 44, 36015 Schio (Vi) - **Italy**
tel. +39 0445 69 65 11 / fax. +39 0445 69 65 22
www.bft.it / e-mail: info@bft.it

AUTOMATISMES BFT FRANCE

13 Bd. E. Michelet, 69008 Lyon - **France**
tel. +33 (0)4 78 76 09 88 - fax +33 (0)4 78 76 92 23
e-mail: contacts@automatismes-bft-france.fr

**BFT Torantriebssysteme GmbH**

Faber-Castell-Straße 29
D - 90522 Oberasbach - **Germany**
tel. +49 (0)911 766 00 90 - fax +49 (0)911 766 00 99
e-mail: service@bft-torantriebe.de

BFT Automation UK Ltd

Unit 8E, Newby Road
Industrial Estate Hazel Grove, Stockport,
Cheshire, SK7 5DA - **UK**
tel. +44 (0) 161 4560456 - fax +44 (0) 161 4569090
e-mail: info@bftautomation.co.uk

BFT BENELUX SA

Parc Industriel 1, Rue du commerce 12
1400 Nivelles - **Belgium**
tel. +32 (0)67 55 02 00 - fax +32 (0)67 55 02 01
e-mail: info@bftbenelux.be

BFT-ADRIA d.o.o.

Obrovac 39
51218 Dražice (Rijeka)
Hrvatska - **Croatia**
tel. +385 (0)51 502 640 - fax +385 (0)51 502 644
e-mail: info@bft.hr

BFT Polska Sp. z o.o.

ul. Kołacińska 35
03-171 Warszawa - **Poland**
tel. +48 22 814 12 22 - fax +48 22 814 39 18
e-mail: biuro@bft.com.pl

BFT USA BFT U.S., Inc.

6100 Broken Sound Pkwy. N.W., Suite 14
Boca Raton, FL 33487 - **U.S.A.**
T: +1 561.995.8155 - F: +1 561.995.8160
TOLL FREE 1.877.995.8155 - info.bft@bft-usa.com

BFT GROUP ITALIBERICA DE AUTOMATISMOS S.L.

Pol. Palou Nord,
Sector F - C/Cami - Can Basa nº 6-8 08401 Granollers -
(Barcelona) - Spain
tel. +34 938 61 48 28 - fax +34 938 70 03 94
e-mail: bftbcn@bftautomatismos.com

Pl. Comendador - C/
informática, Nave 22 - 19200 Azuqueca de henares
(Guadalajara) - Spain
tel. +34 949 26 32 00 - fax +34 949 26 24 51
e-mail: administracion@bftautomatismos.com

BFT SA-COMERCIO DE AUTOMATISMOS E MATERIAL DE SEGURANÇA
UrbanizaÇao da Pedrulha Lote 9 - Apartado 8123,
3020-305 COIMBRA - **PORTUGAL**
tel. +351 239 082 790 - fax +351 239 082 799
e-mail: geral@bftportugal.com